



US00D682108S

(12) **United States Design Patent**
Berggren

(10) **Patent No.:** **US D682,108 S**

(45) **Date of Patent:** **** May 14, 2013**

(54) **CONTAINER LID**

(75) Inventor: **Adam Berggren**, Malmo (SE)

(73) Assignee: **Fiedler & Lundgren AB**, Malmo (SE)

(**) Term: **14 Years**

(21) Appl. No.: **29/385,160**

(22) Filed: **Feb. 9, 2011**

(30) **Foreign Application Priority Data**

Aug. 9, 2010 (EM) 001741737-0001
Aug. 9, 2010 (EM) 001741737-0002

(51) **LOC (9) Cl.** **09-07**

(52) **U.S. Cl.**
USPC **D9/454**

(58) **Field of Classification Search** D9/772,
D9/763, 746, 529, 504, 454, 443, 435, 434,
D9/428, 424; D7/392.1; D34/11; D27/183-193;
220/711-717, 685, 658, 4.24, 4.23, 377,
220/309.1, 296, 284, 260, 258.5, 203.09;
215/347, 321, 307; 138/96 R

See application file for complete search history.

(56) **References Cited**

U.S. PATENT DOCUMENTS

3,301,464	A	*	1/1967	Amberg	229/125.17
D280,076	S	*	8/1985	Haag, Sr.	D9/778
D313,754	S	*	1/1991	Pomroy	D9/435
D321,477	S	*	11/1991	Gunter	D9/503
D403,583	S	*	1/1999	Nask et al.	D9/435
D452,155	S	*	12/2001	Stodd	D9/454
D536,923	S	*	2/2007	Roth et al.	D7/392.1
D563,785	S	*	3/2008	Maki et al.	D9/454
D614,439	S	*	4/2010	Olivari	D7/392.1
D632,959	S	*	2/2011	Peters	D9/454
D661,186	S	*	6/2012	Snyder	D9/436

* cited by examiner

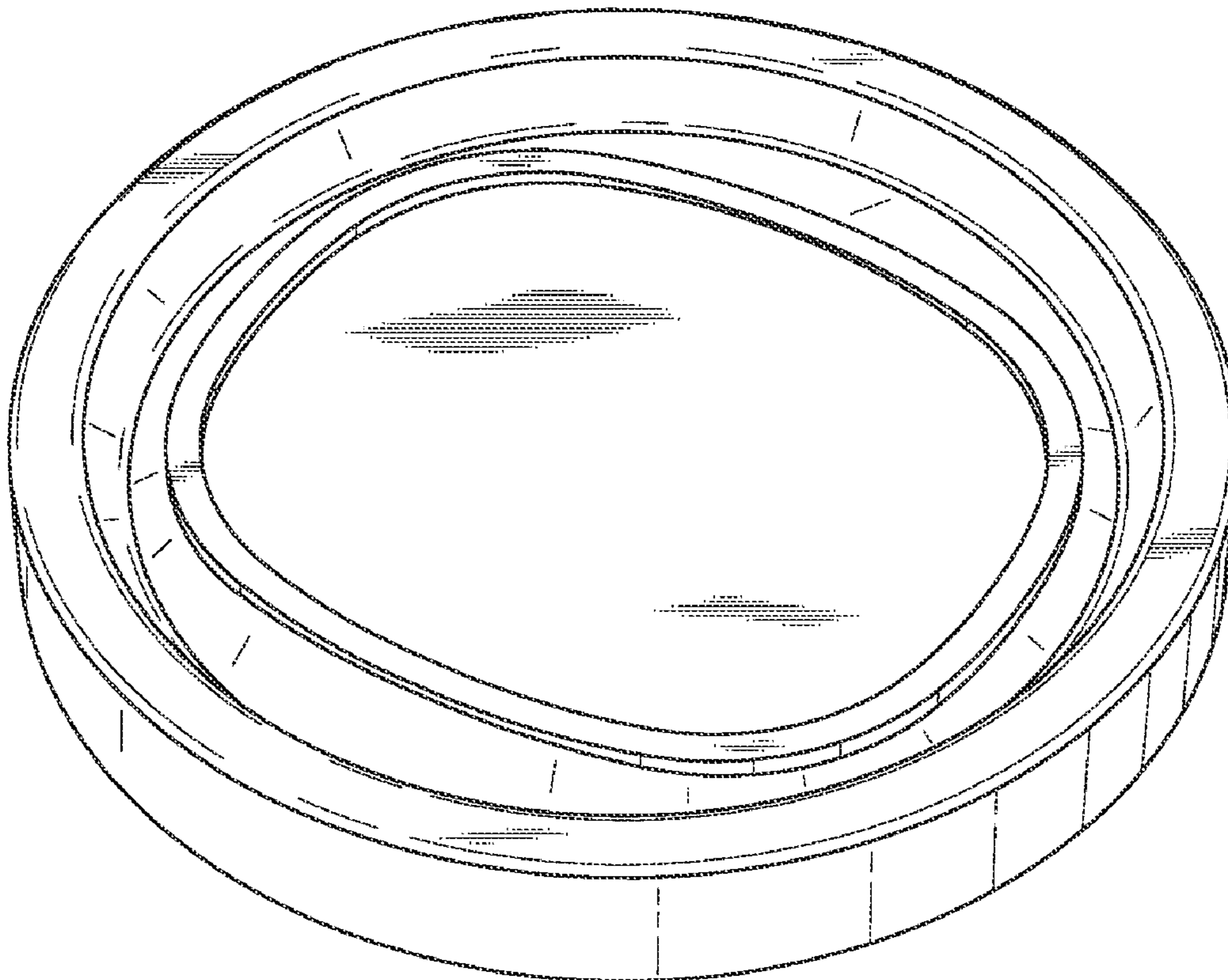
Primary Examiner — Susan Bennett Hattan
(74) *Attorney, Agent, or Firm* — N W Poulsen

(57) **CLAIM**
The ornamental designs for a container lid, as shown and described.

DESCRIPTION

FIG. 1 is a top perspective view showing the new design for a container lid;
FIG. 2 is a bottom perspective view thereof;
FIG. 3 is a top view thereof;
FIG. 4 is a bottom view thereof; and,
FIG. 5 is a side view thereof.

1 Claim, 5 Drawing Sheets



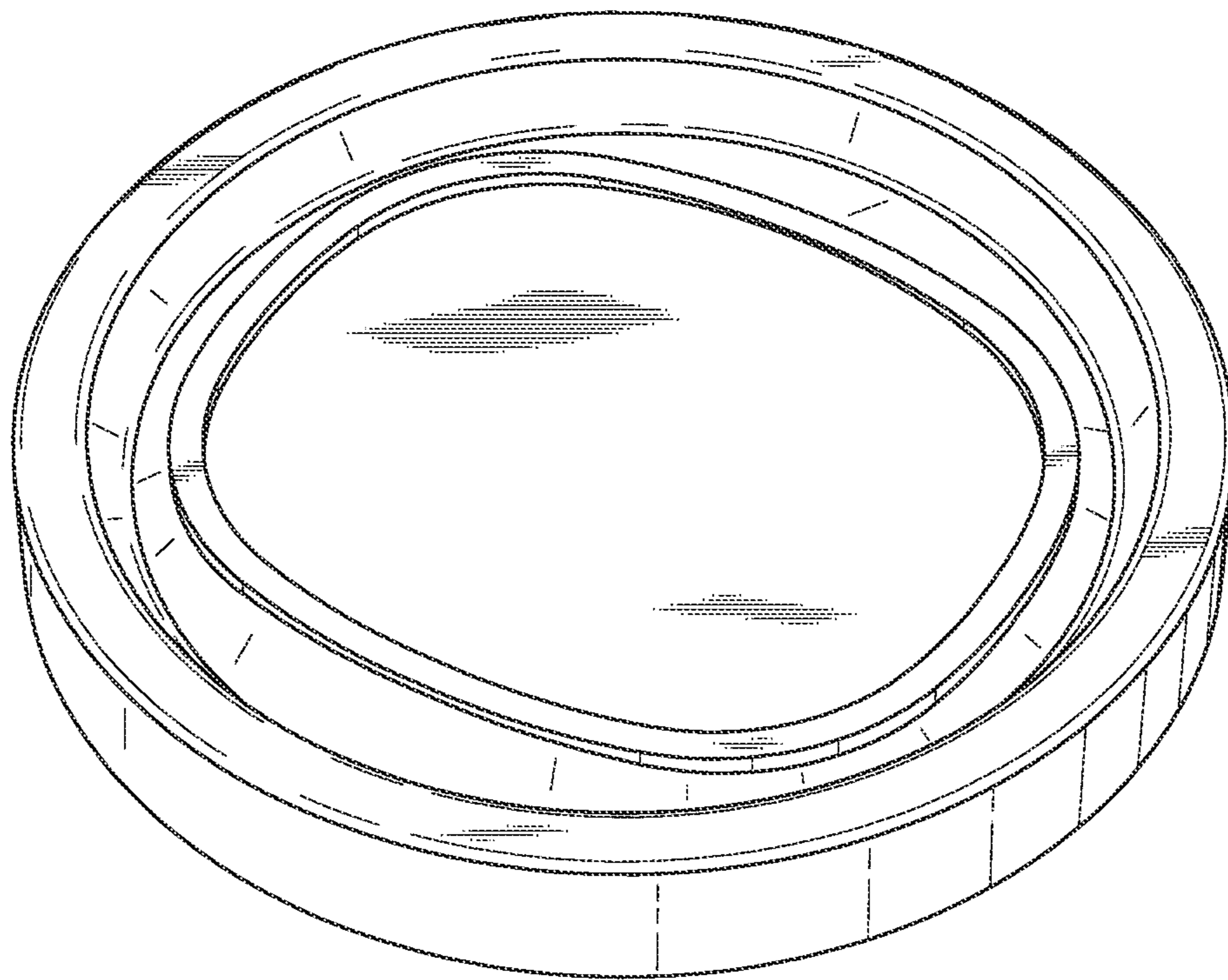


FIG. 1

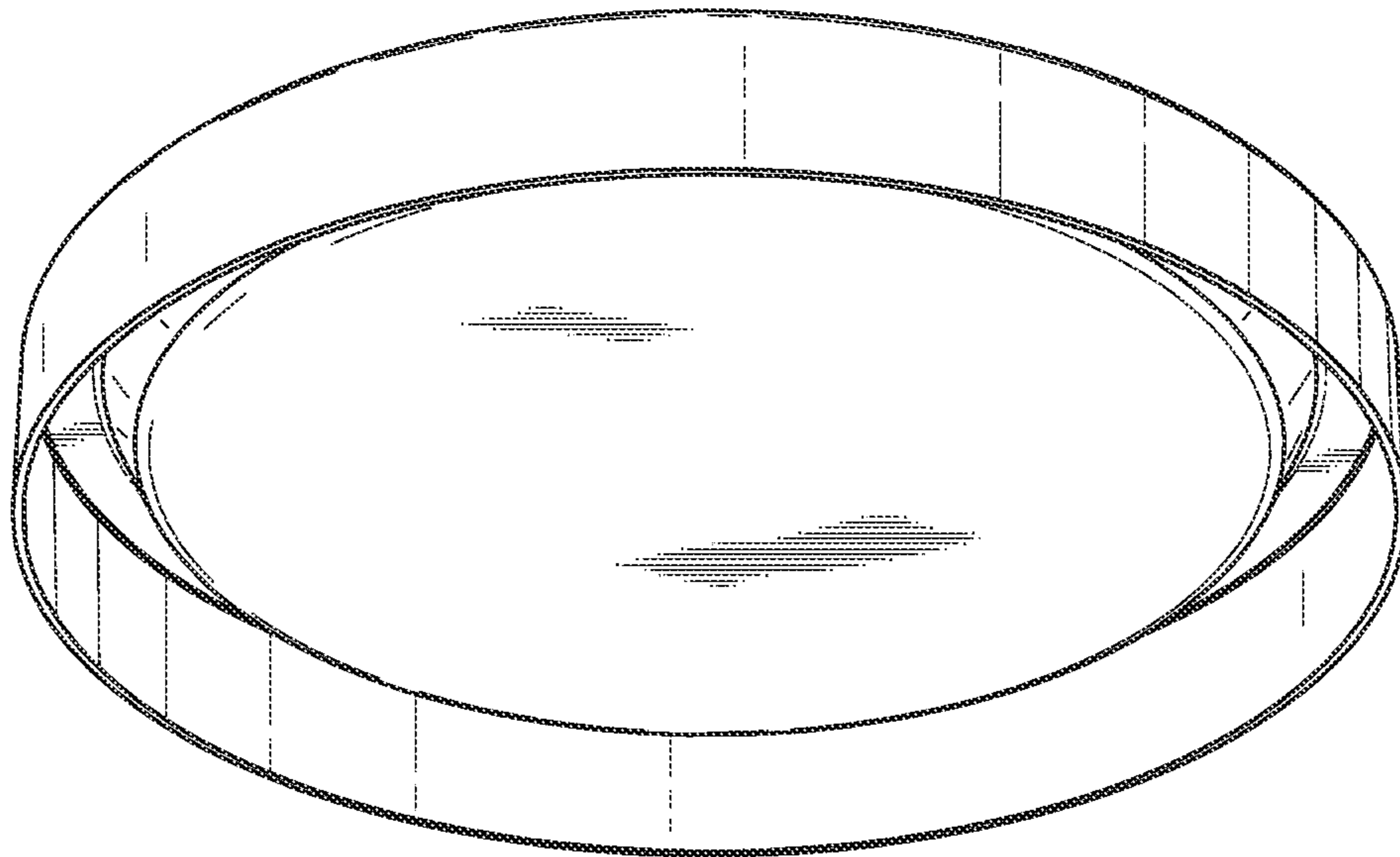


FIG.2

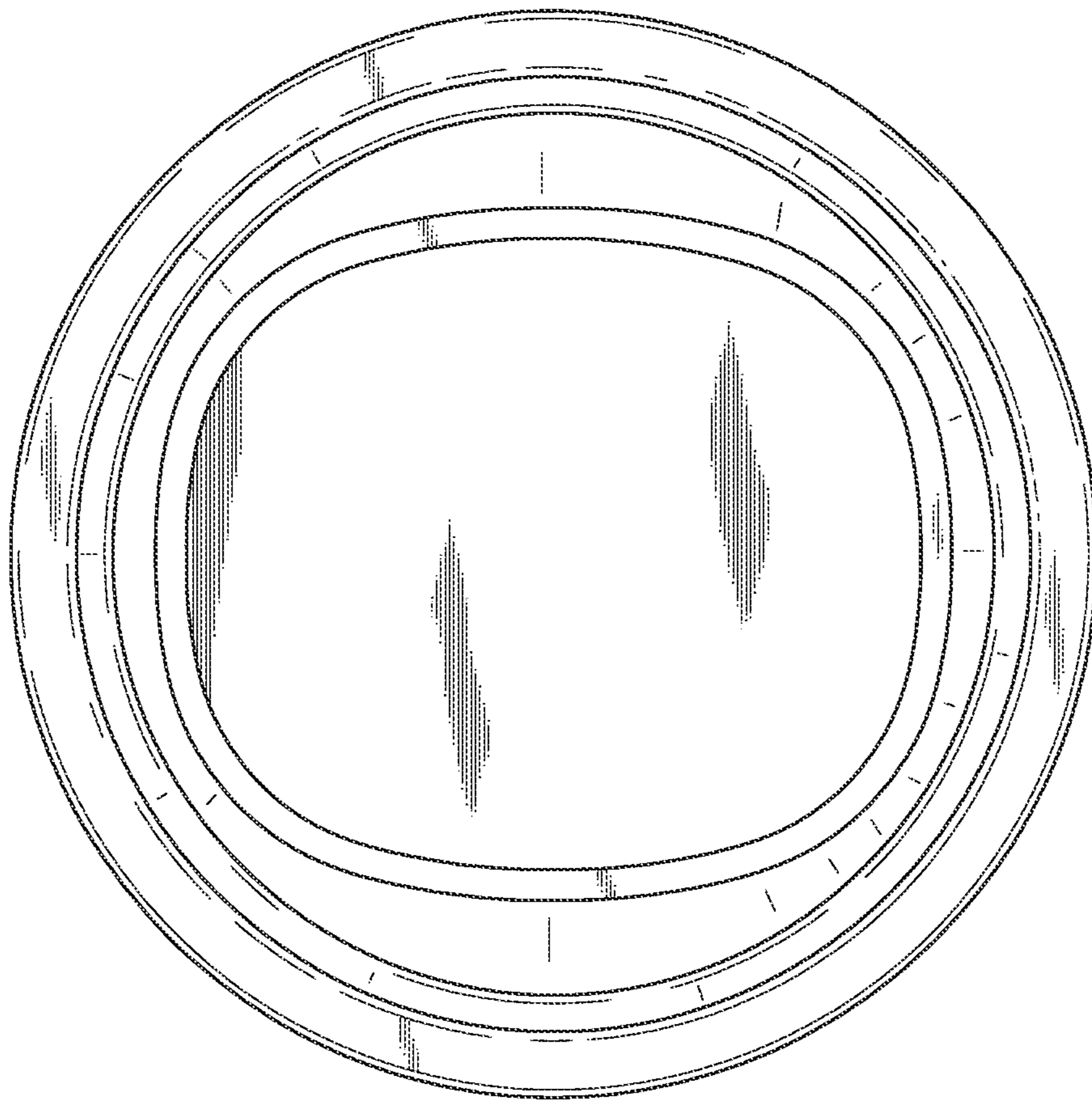


FIG.3

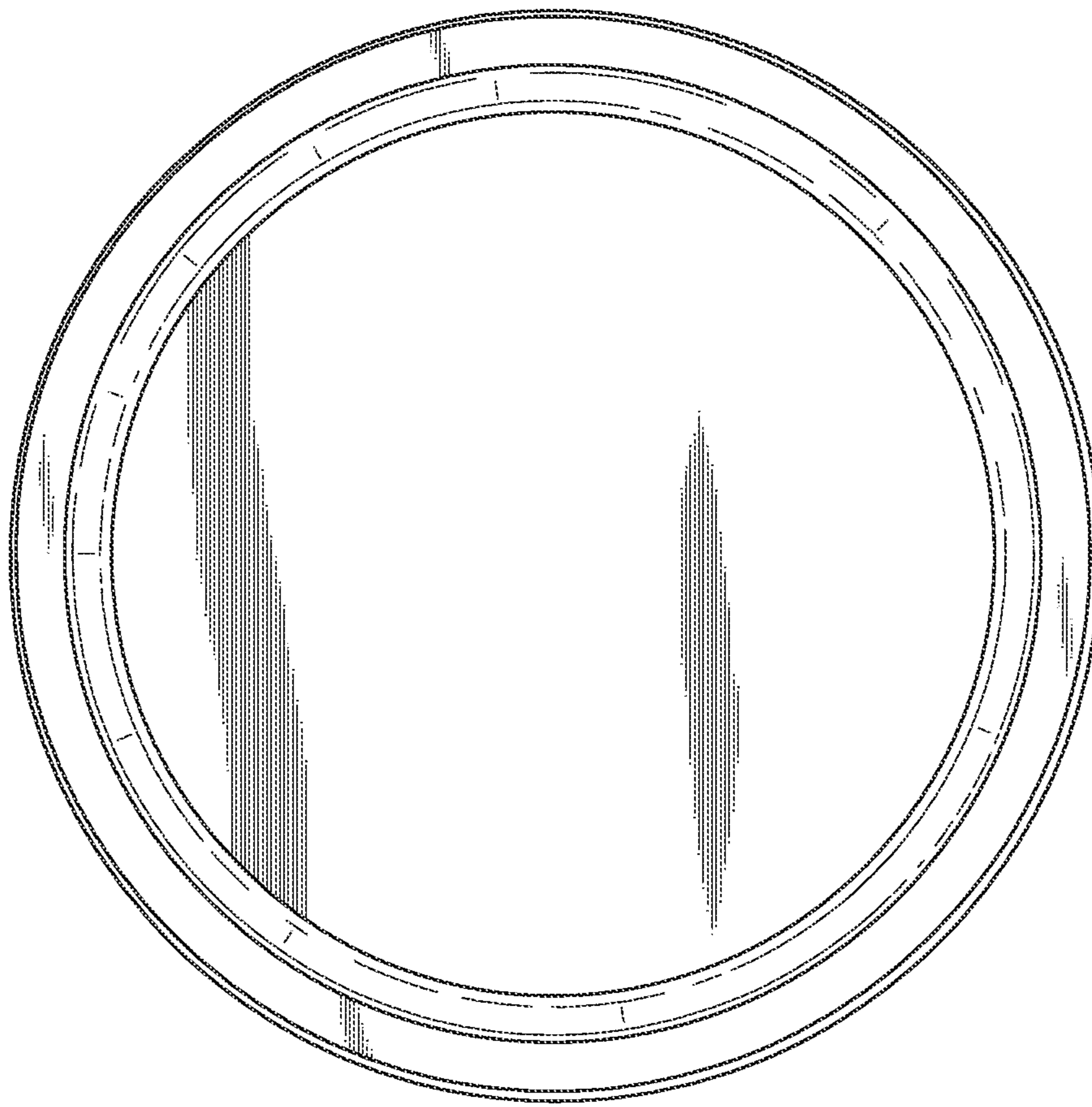


FIG. 4

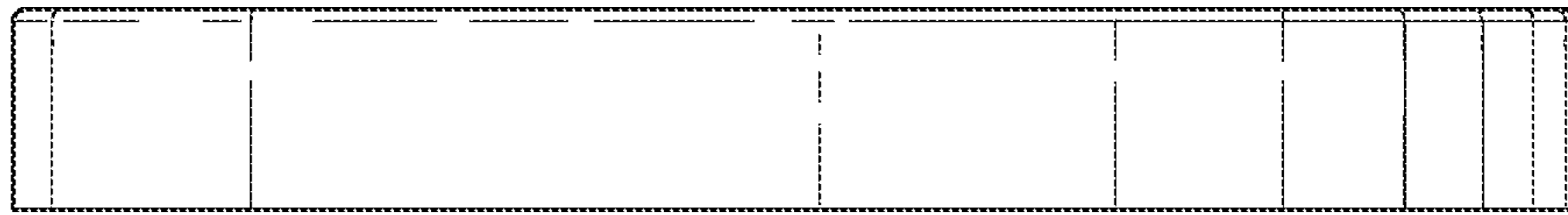


FIG.5