



US00D682104S

(12) **United States Design Patent**
Ramsey et al.

(10) **Patent No.:** **US D682,104 S**

(45) **Date of Patent:** **** May 14, 2013**

(54) **CLOSURE CAP**

2,527,885 A 10/1950 Krueger
2,621,622 A 12/1952 Henchert
2,975,740 A 3/1961 Smith et al.

(75) Inventors: **Christopher Paul Ramsey**, Wantage (GB); **Bruce John Munn**, Wantage (GB)

(Continued)

(73) Assignee: **Crown Packaging Technology, Inc.**, Alsip, IL (US)

FOREIGN PATENT DOCUMENTS

DE 2933547 3/1981
DE 3619322 12/1986

(**) Term: **14 Years**

(Continued)

(21) Appl. No.: **29/382,732**

OTHER PUBLICATIONS

U.S. Appl. No. 12/922,989, filed Feb. 12, 2009, Dunwoody et al.

(22) Filed: **Jan. 6, 2011**

(Continued)

(30) **Foreign Application Priority Data**

Jul. 8, 2010 (EM) 001729286-002

(51) **LOC (9) Cl.** **09-07**

(52) **U.S. Cl.**
USPC **D9/454; D9/452**

(58) **Field of Classification Search** D9/454,
D9/453, 452, 449, 447, 446, 445, 443, 435,
D9/434; D7/392.1; 215/365, 333, 252, 250,
215/228, 200; 220/288, 270, 257.2, 254.3,
220/277

See application file for complete search history.

(56) **References Cited**

U.S. PATENT DOCUMENTS

470,529 A 3/1892 Williams
D30,764 S 5/1899 Ross
1,349,837 A 8/1920 Johnson
1,699,069 A 1/1929 Huntar
D101,623 S * 10/1936 Fleisch D9/453
D105,858 S * 8/1937 Fleisch D9/453
2,139,682 A 12/1938 Hothersall
2,166,923 A 7/1939 Woodcock
2,216,082 A 9/1940 Kronquest et al.
2,522,301 A 9/1950 Rooney

Primary Examiner — Susan Bennett Hattan
(74) *Attorney, Agent, or Firm* — Woodcock Washburn LLP

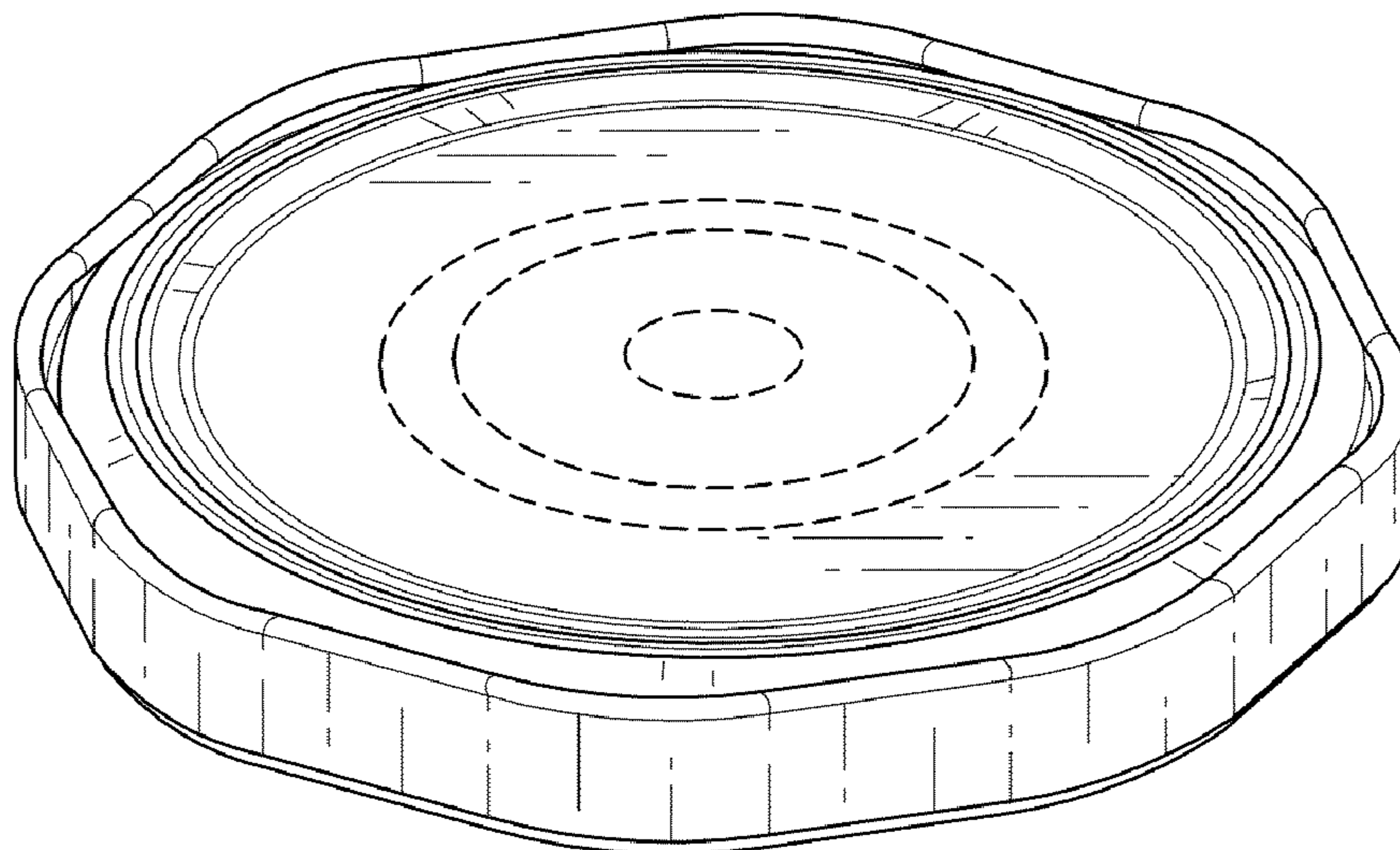
(57) **CLAIM**

The ornamental design for a closure cap, as shown and described.

DESCRIPTION

FIG. 1 is a top plan view of a closure cap according to my design;
FIG. 2 is a perspective view thereof;
FIG. 3 is a side view thereof, from the perspective of Arrow 3 shown in FIG. 1;
FIG. 4 is a side view thereof, from the perspective of Arrow 4 shown in FIG. 1;
FIG. 5 is an enlarged, partial cross-sectional view of a portion thereof, taken in the direction of line 5 shown in FIG. 1; and, FIG. 6 is an enlarged, partial cross-sectional view of a portion thereof, taken in the direction of line 6 shown in FIG. 1.
The bottom plan view and intermittent sides views of this claimed design are apparent from FIGS. 1-6. Any broken line portion of the drawings is included to show environmental subject matter only and forms no part of the claimed design.

1 Claim, 2 Drawing Sheets



US D682,104 S

U.S. PATENT DOCUMENTS

2,991,602	A	7/1961	Van De Kerke et al.	
D192,757	S	5/1962	Foss et al.	
3,157,080	A	11/1964	Hanni	
3,186,003	A	5/1965	Gregory, Jr. et al.	
3,446,381	A	5/1969	Podesta et al.	
3,813,972	A	6/1974	Van Alsburg	
3,836,033	A	9/1974	Podesta	
D239,437	S	4/1976	Boduch	
D240,595	S	7/1976	Kress	
4,004,478	A	1/1977	Morgan	
D244,065	S	4/1977	Daenen	
4,022,141	A	5/1977	Bartenstein	
4,111,330	A	9/1978	Jordan	
4,299,147	A	11/1981	Rogers	
D266,906	S	11/1982	Guerette	
4,473,163	A	9/1984	Geiger	
D286,026	S	10/1986	Rayner	
D291,971	S	9/1987	Smith	
4,762,579	A	8/1988	Shimizu et al.	
4,808,053	A	2/1989	Nagai et al.	
4,942,777	A	7/1990	Fife	
5,014,491	A	5/1991	Tsukada et al.	
5,078,564	A	1/1992	Zago	
5,325,696	A	7/1994	Jentzsch et al.	
D359,451	S	6/1995	Dees	
5,782,599	A	7/1998	Moran et al.	
5,785,198	A	7/1998	Credle, Jr.	
5,839,869	A	11/1998	Moran et al.	
D471,453	S	3/2003	Stodd	
D480,304	S	10/2003	Stodd	
D482,596	S	11/2003	Laabs et al.	
6,662,958	B2	12/2003	German et al.	
D487,700	S *	3/2004	Bourque et al.	D9/453
D489,005	S	4/2004	Miceli et al.	
D495,600	S	9/2004	Kouri	
D522,364	S	6/2006	Hicks et al.	
D526,740	S	8/2006	Xu	
D529,804	S	10/2006	Lohrman	
D531,505	S *	11/2006	Lohrman	D9/453
D536,975	S	2/2007	Smith et al.	
D542,655	S *	5/2007	Szczesniak	D9/453
D542,656	S *	5/2007	Szczesniak	D9/453
D564,878	S	3/2008	Baughman et al.	
D567,081	S	4/2008	Baughman et al.	
D567,087	S	4/2008	Baughman et al.	
D574,240	S *	8/2008	Szczesniak	D9/453

D608,638	S	1/2010	Pontes	
D612,196	S	3/2010	Furlong	
7,731,048	B2	6/2010	Alvares et al.	
D623,943	S	9/2010	Weld	
D628,894	S	12/2010	Pontes	
D640,556	S	6/2011	Bragg et al.	
D641,622	S	7/2011	Fields	
D645,349	S *	9/2011	Tilton	D9/453
D650,670	S	12/2011	Dunwoody	
D664,035	S	7/2012	Hu et al.	
2004/0016758	A1	1/2004	Richardson	
2006/0191933	A1	8/2006	Hicks et al.	
2007/0090111	A1	4/2007	Alvares et al.	
2010/0003109	A1	1/2010	Ramsey et al.	

FOREIGN PATENT DOCUMENTS

EP	0092884	11/1983
EP	0599549	6/1994
EP	1686070	8/2006
EP	1918041	5/2008
FR	620920	5/1927
FR	769264	8/1934
FR	2177118	11/1973
WO	WO 95/11104	4/1995
WO	WO 2005/063587	7/2005
WO	WO 2008/053014	5/2008
WO	WO 2009/060291	5/2009
WO	WO 2009/115377	9/2009
WO	WO 2009/130122	10/2009

OTHER PUBLICATIONS

U.S. Appl. No. 12/988,933, filed Apr. 6, 2009, Dunwoody et al.
 U.S. Appl. No. 29/361,421, filed May 11, 2010, Dunwoody et al.
 U.S. Appl. No. 29/361,422, filed May 11, 2010, Dunwoody et al.
 U.S. Appl. No. 29/361,424, filed May 11, 2010, Dunwoody et al.
 U.S. Appl. No. 29/361,437, filed May 11, 2010, Dunwoody et al.
 U.S. Appl. No. 29/361,441, filed May 11, 2010, Dunwoody et al.
 U.S. Appl. No. 29/361,443, filed May 11, 2010, Dunwoody et al.
 U.S. Appl. No. 29/361,446, filed May 11, 2010, Dunwoody et al.
 U.S. Appl. No. 29/361,448, filed May 11, 2010, Dunwoody et al.
 U.S. Appl. No. 29/361,449, filed May 11, 2010, Dunwoody et al.
 U.S. Appl. No. 29/382,735, filed Jan. 6, 2011, Dunwoody.
 U.S. Appl. No. 29/382,739, filed Jan. 6, 2011, Dunwoody.
 U.S. Appl. No. 29/382,738, filed Jan. 6, 2011, Dunwoody.
 U.S. Appl. No. 29/382,744, filed Jan. 6, 2011, Dunwoody.

* cited by examiner

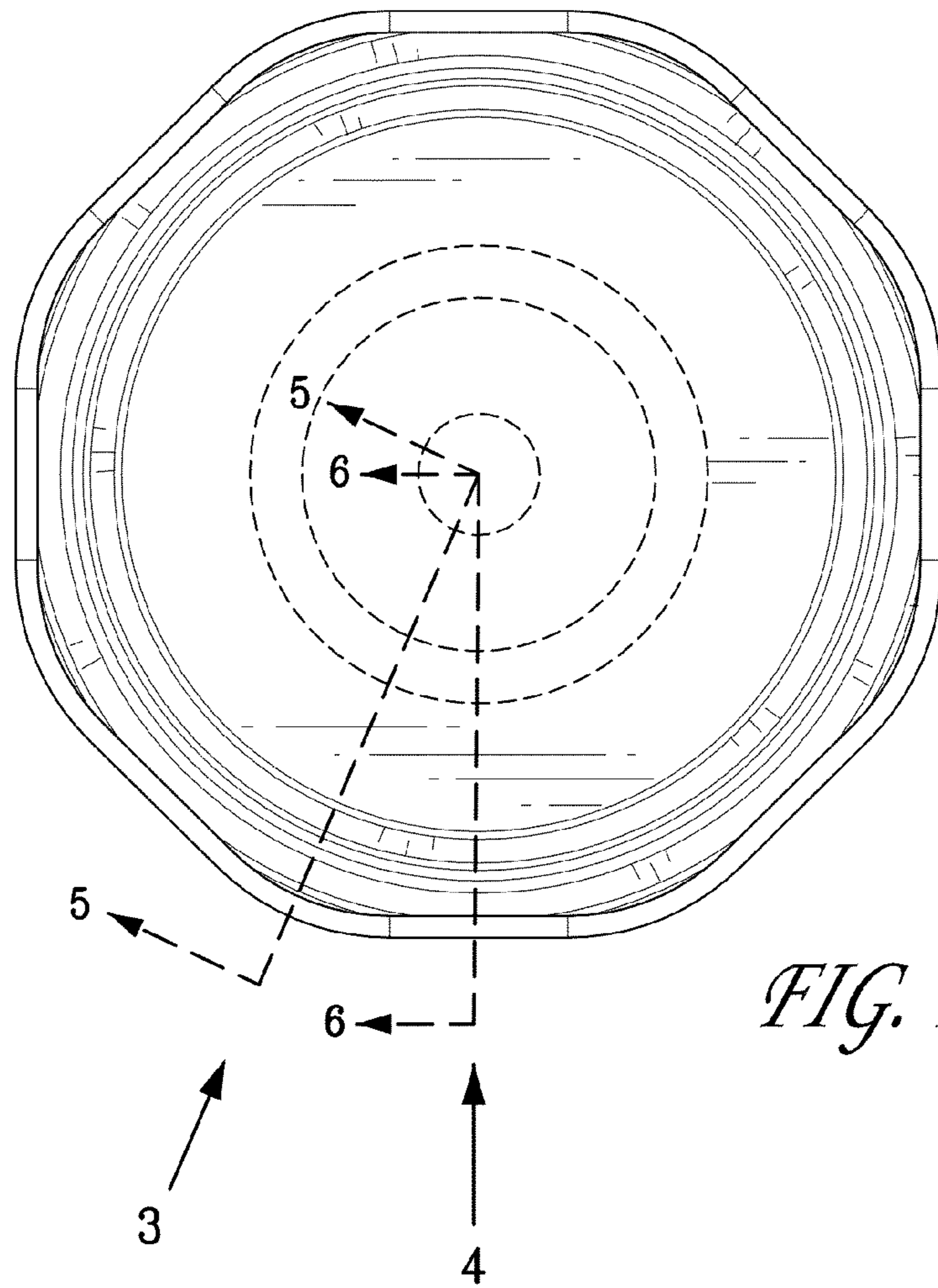


FIG. 1

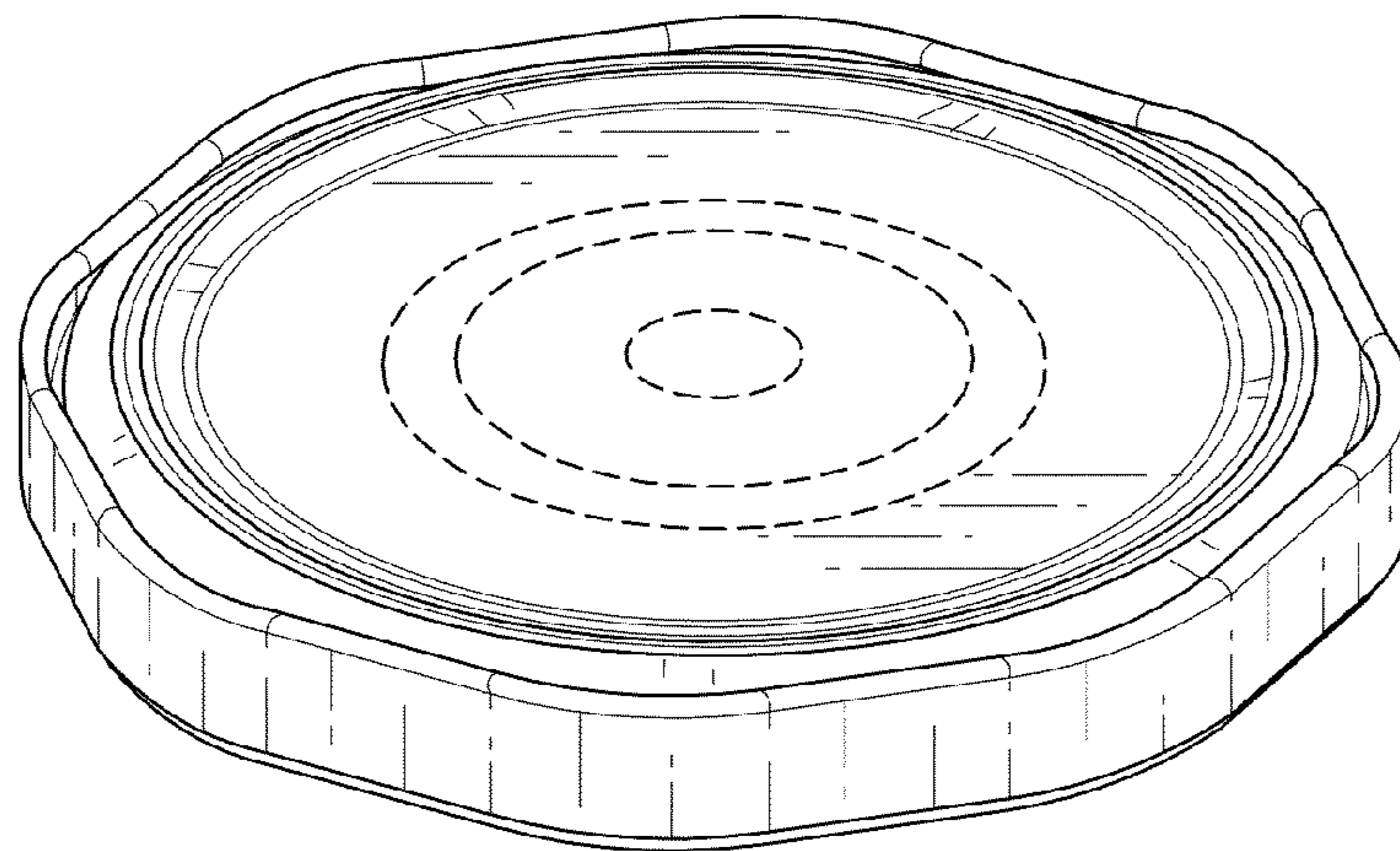


FIG. 2

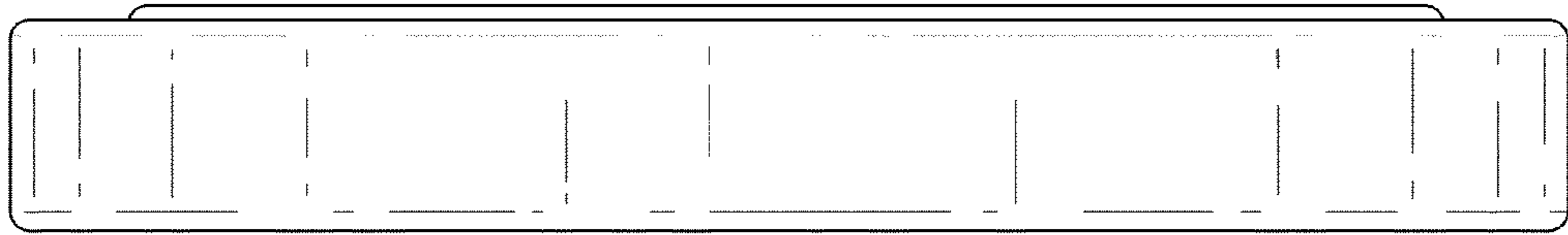


FIG. 3

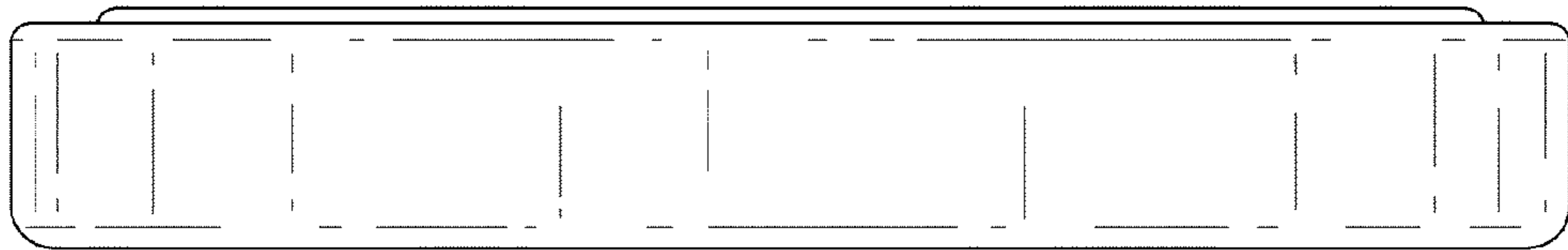


FIG. 4

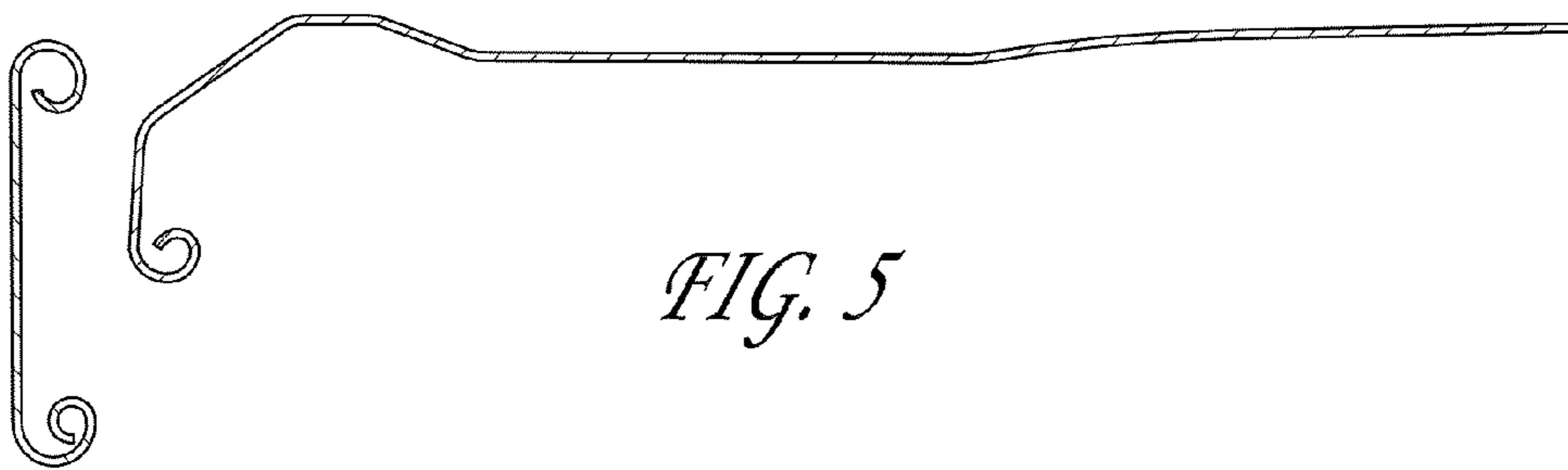


FIG. 5

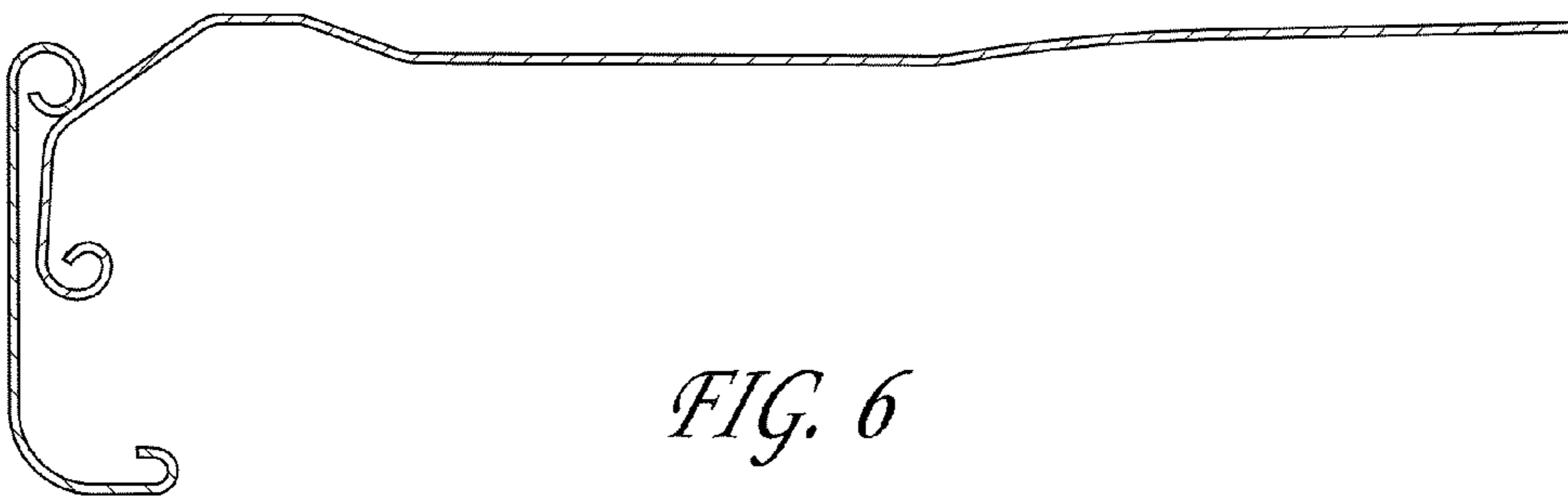


FIG. 6