



US00D682103S

(12) **United States Design Patent**
Jedlicka et al.

(10) **Patent No.:** **US D682,103 S**
(45) **Date of Patent:** **** May 14, 2013**

(54) **BOTTLE INSERT**

(75) Inventors: **Frederick B. Jedlicka**, Jerseyville, IL
(US); **James M. Schlueter**, O'Fallon,
MO (US)

(73) Assignee: **Dema Engineering Company**, St.
Louis, MO (US)

(**) Term: **14 Years**

(21) Appl. No.: **29/410,743**

(22) Filed: **Jan. 11, 2012**

(51) **LOC (9) Cl.** **09-07**

(52) **U.S. Cl.**
USPC **D9/452**

(58) **Field of Classification Search** D9/667,
D9/454, 453, 452, 450, 449, 445, 443, 441,
D9/435; D23/253, 250; 220/270-276; 215/228,
215/217-223, 209

See application file for complete search history.

(56) **References Cited**

U.S. PATENT DOCUMENTS

3,243,206	A	3/1966	Samer	
3,253,753	A	5/1966	Barton et al.	
3,568,977	A	3/1971	Nelson	
4,427,138	A	1/1984	Heinlein	
D279,267	S *	6/1985	Morris	D9/454
4,773,474	A	9/1988	Stay	
5,046,645	A	9/1991	Hagan et al.	
5,065,908	A	11/1991	Mengeu	
D327,849	S *	7/1992	Armstrong	D9/453
5,165,578	A	11/1992	Laible	
D365,519	S *	12/1995	Welch et al.	D9/454
5,833,124	A	11/1998	Groves	

5,890,517	A	4/1999	Laible	
5,988,456	A	11/1999	Laible	
6,142,345	A	11/2000	Laible	
6,935,542	B2	8/2005	Harrity et al.	
6,968,983	B2	11/2005	Laible	
7,222,741	B2 *	5/2007	Chmela et al.	220/257.1
D608,641	S *	1/2010	Baughman et al.	D9/454
D610,007	S *	2/2010	Baughman et al.	D9/454
8,205,761	B2 *	6/2012	Stull et al.	215/220

* cited by examiner

Primary Examiner — Susan Bennett Hattan

(74) *Attorney, Agent, or Firm* — Husch & Blackwell LLP;
H. Frederick Rusche

(57) **CLAIM**

We claim the ornamental design for a bottle insert, as shown and described.

DESCRIPTION

FIG. 1 is a perspective view of a bottle insert showing our new design;

FIG. 2 is a front view thereof;

FIG. 3 is a back view thereof;

FIG. 4 is a left side view thereof;

FIG. 5 is a right side view thereof;

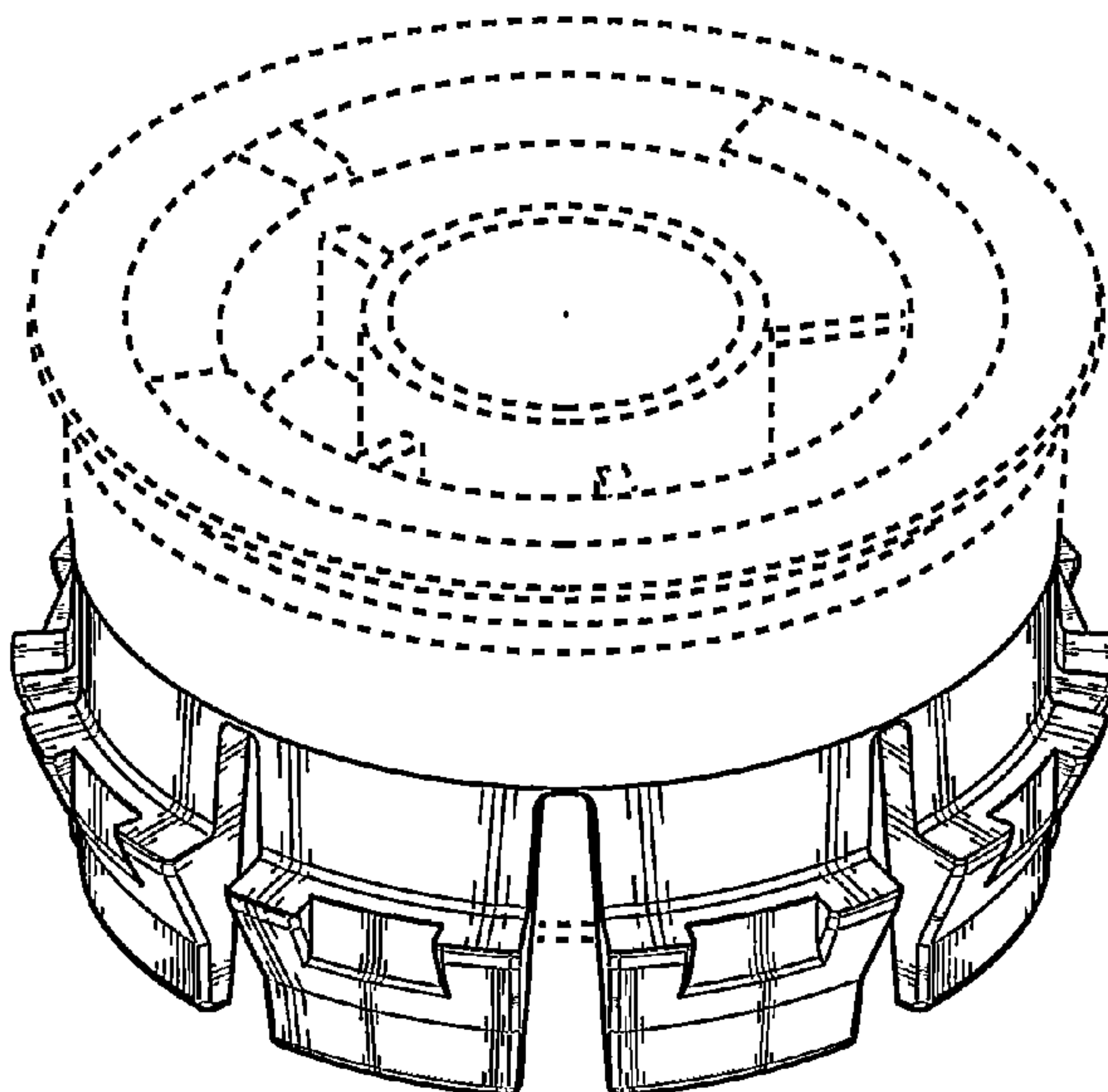
FIG. 6 is a top view thereof;

FIG. 7 is a bottom view thereof; and,

FIG. 8 is a perspective view thereof showing said bottle insert in the neck of a bottle.

The broken lines shown in the drawing views are included for the purpose of showing environmental structure that forms no part of the claimed design.

1 Claim, 5 Drawing Sheets



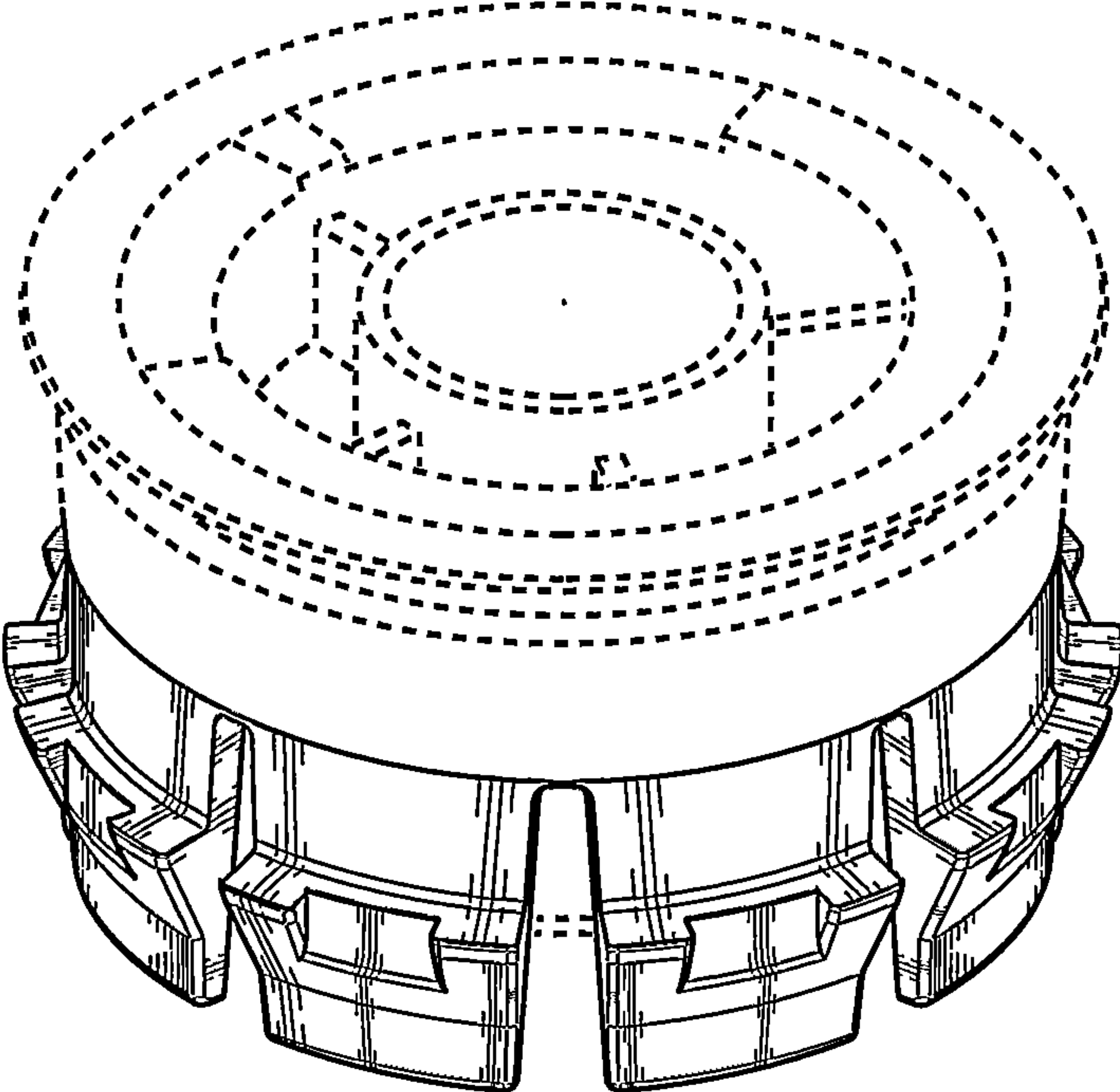


FIG. 1

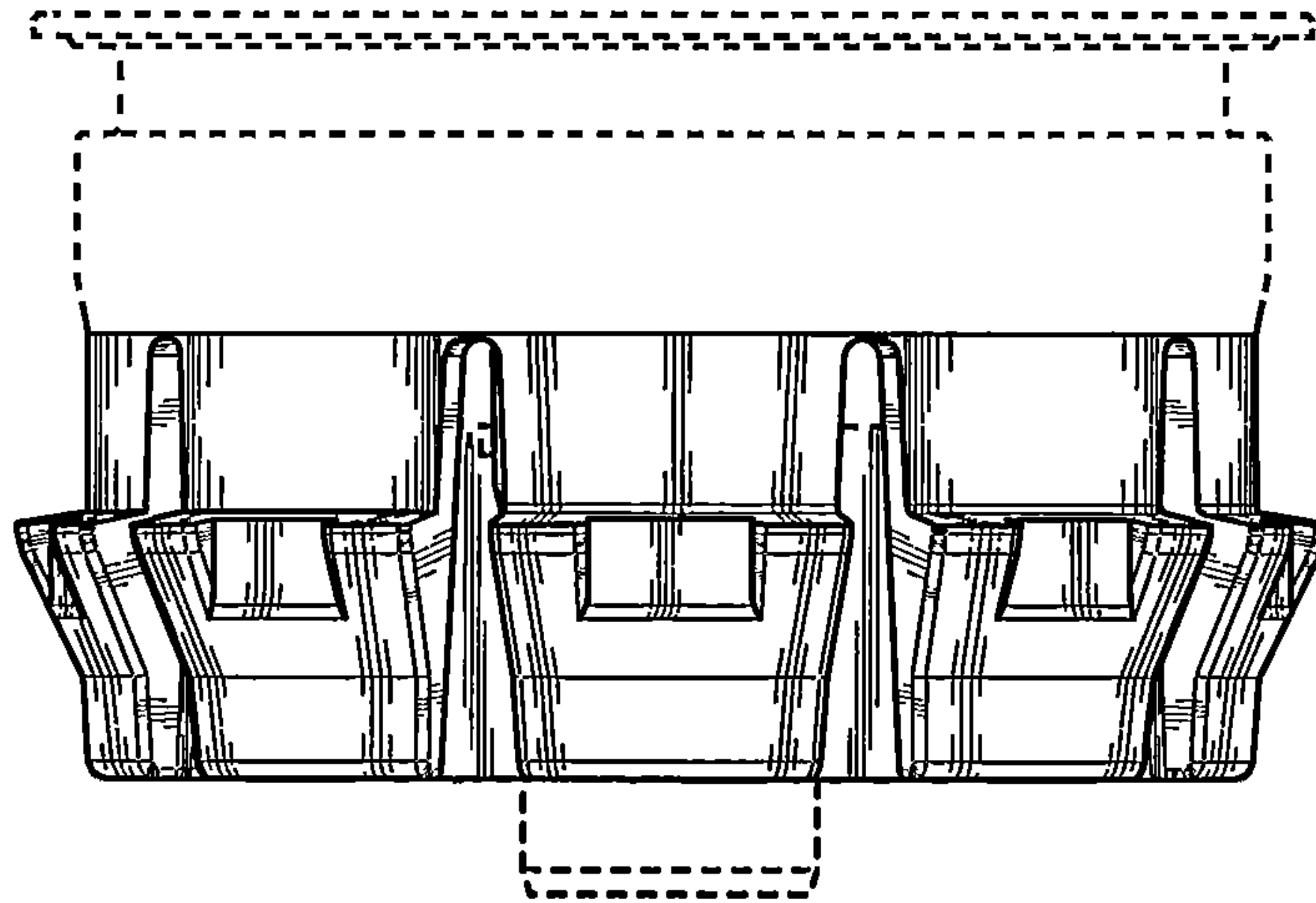


FIG. 2

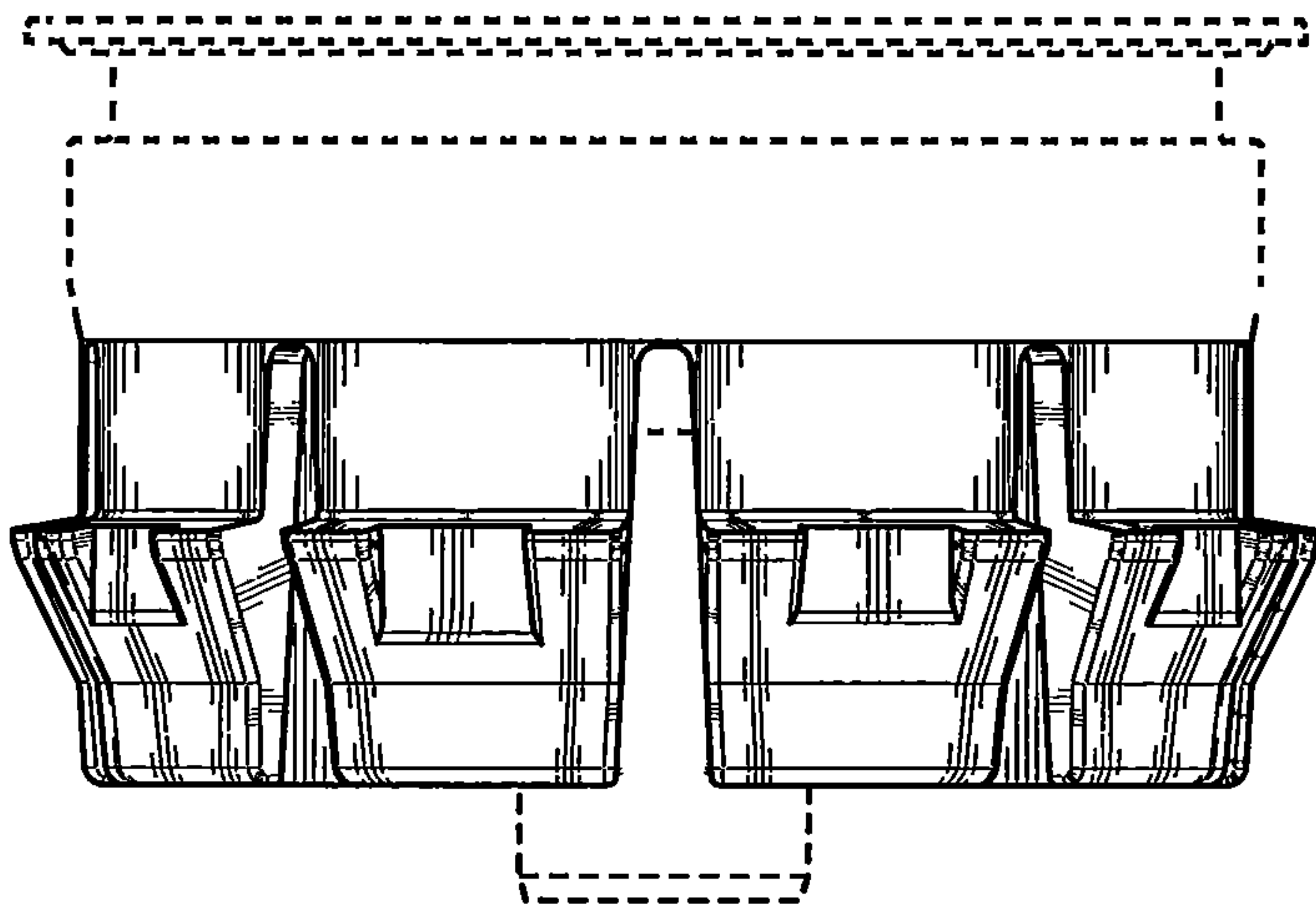


FIG. 3

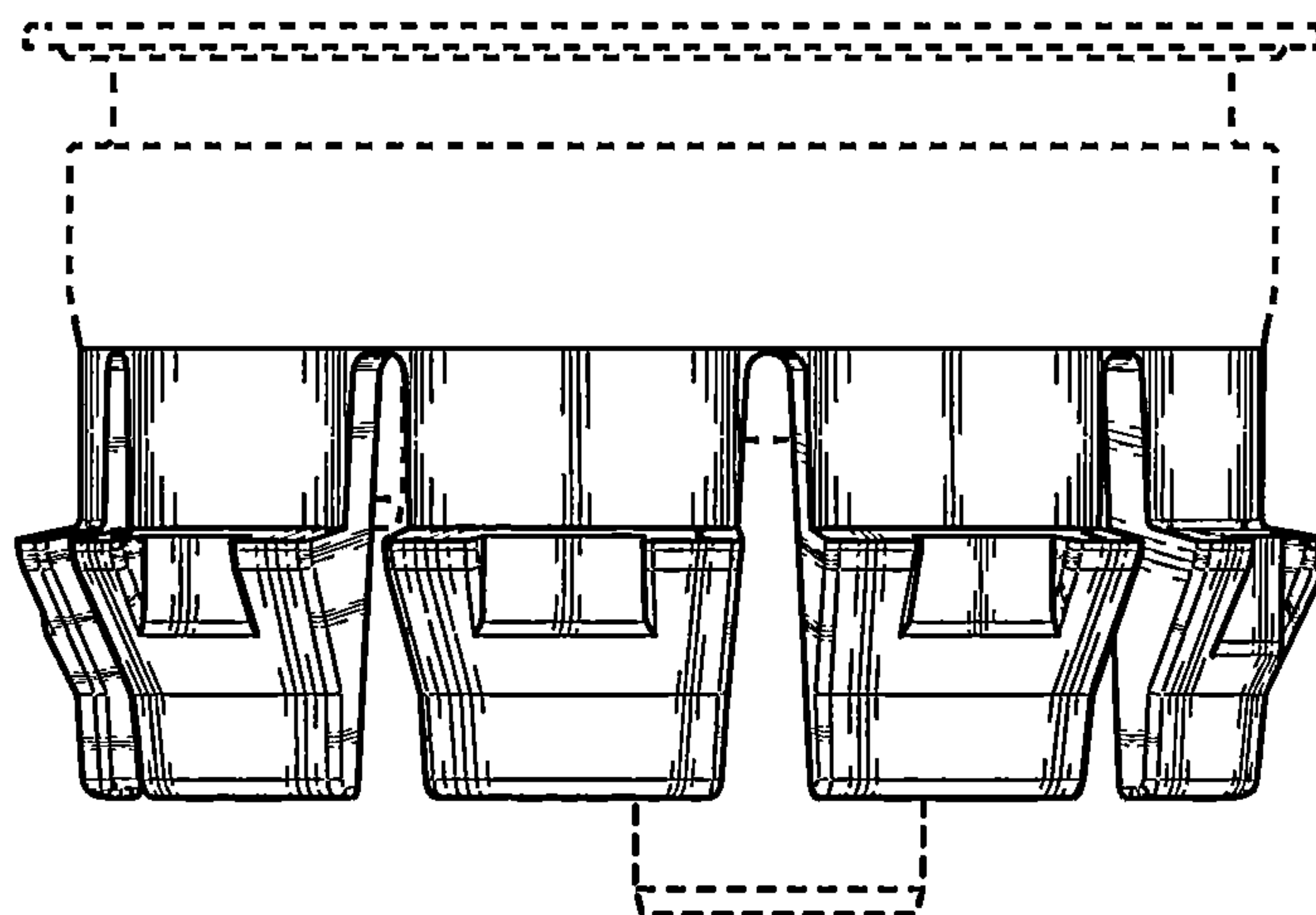


FIG. 4

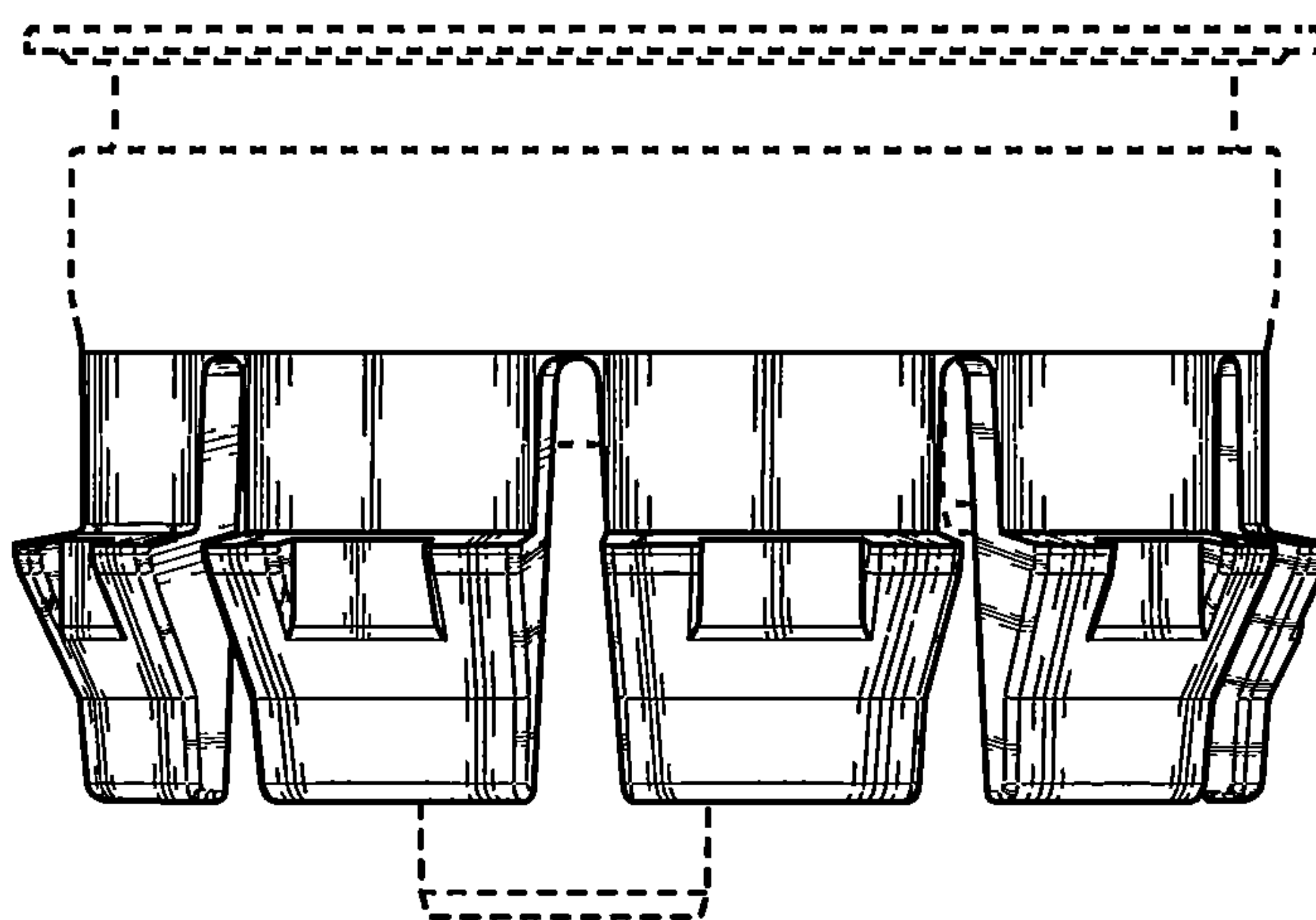


FIG. 5

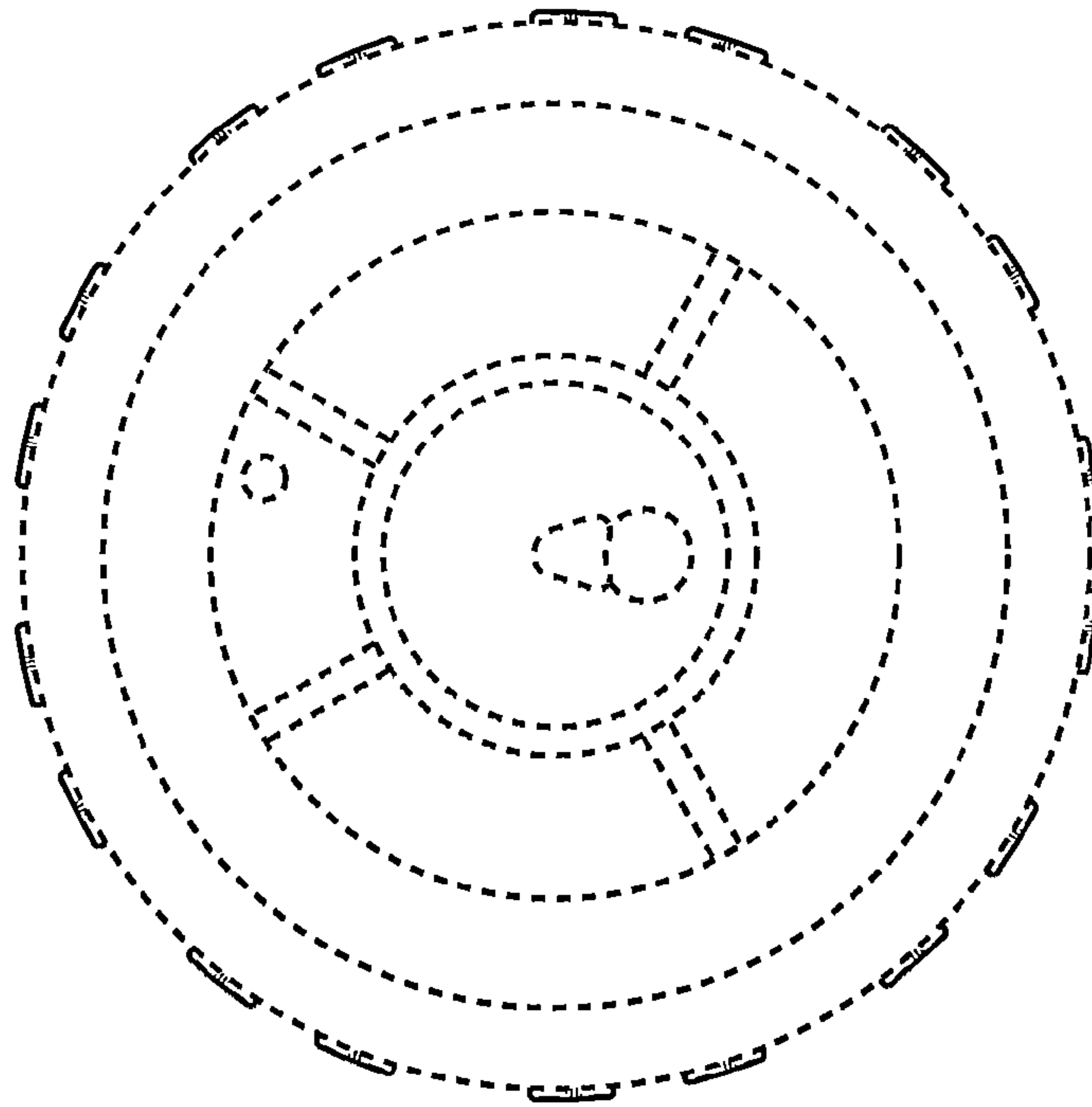


FIG. 6

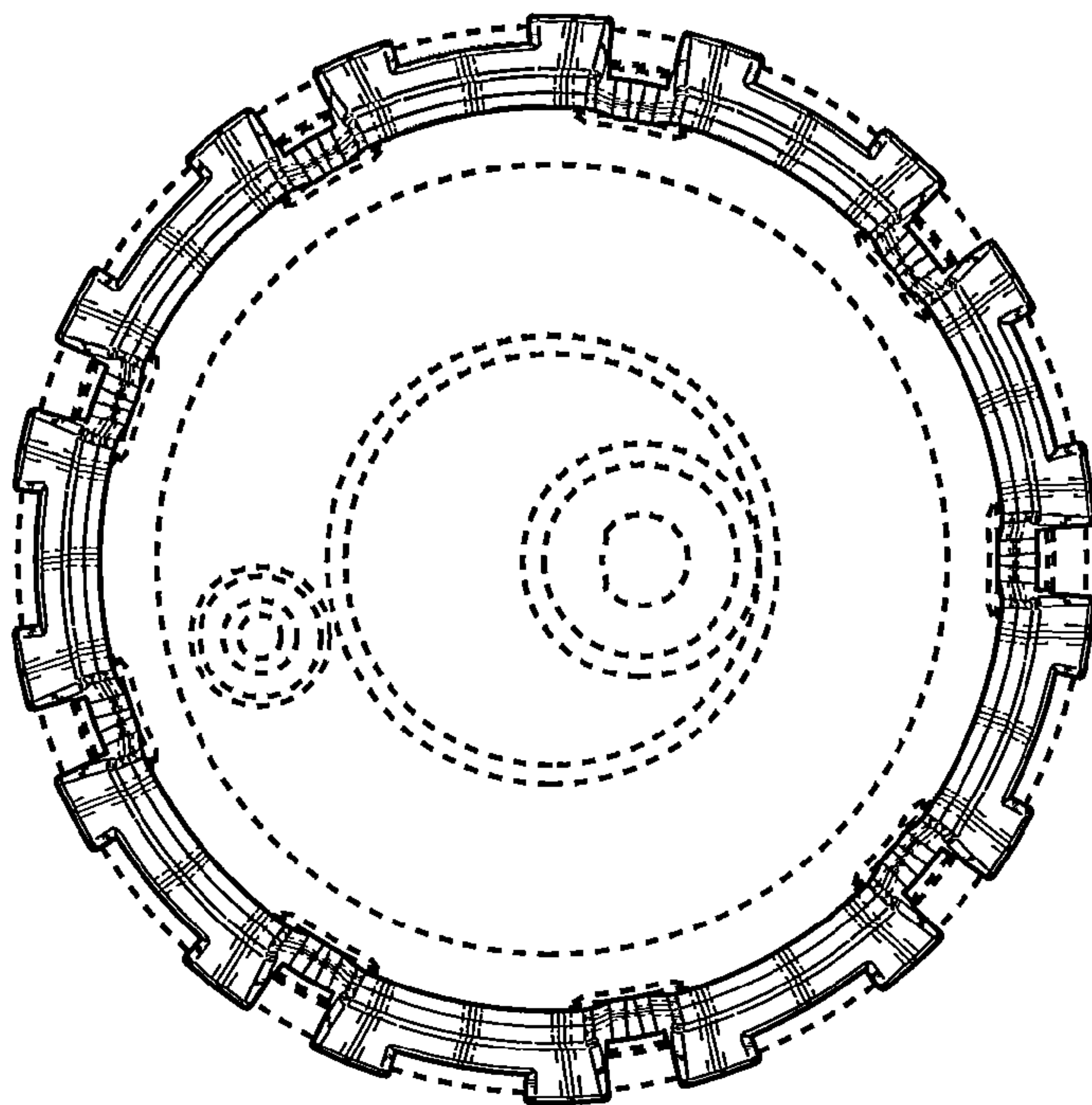


FIG. 7

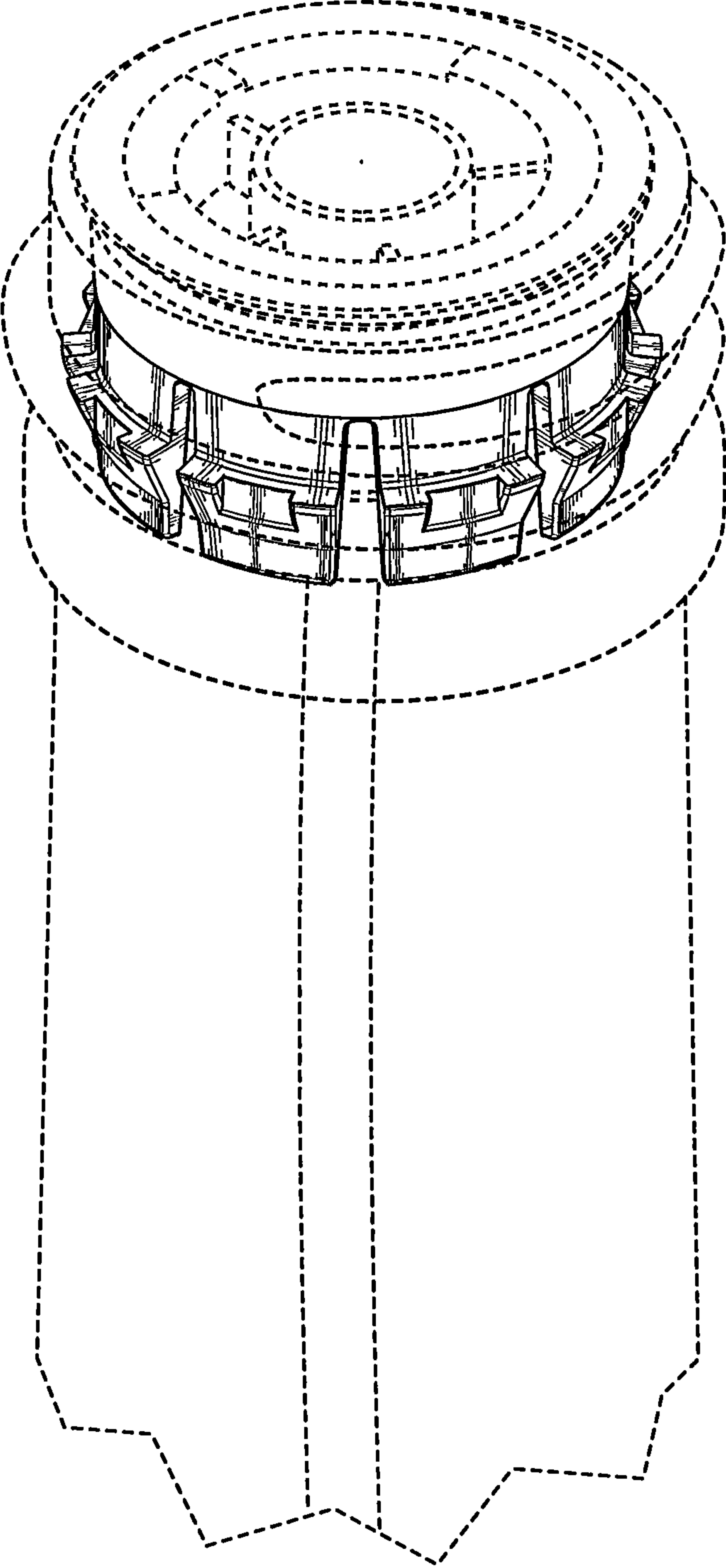


FIG. 8