



US00D682102S

(12) **United States Design Patent**
Davis et al.

(10) **Patent No.:** **US D682,102 S**
(45) **Date of Patent:** **** May 14, 2013**

(54) **CAP FOR A BOTTLE**

(75) Inventors: **William John Davis**, Bath (GB); **Raf Gustaaf Alfons Degeyter**, Donk (BE); **David James McNeill**, Bath (GB); **Neil Anthony Litten**, Egham (GB)

(73) Assignee: **The Procter & Gamble Company**, Cincinnati, OH (US)

(**) Term: **14 Years**

(21) Appl. No.: **29/382,550**

(22) Filed: **Jan. 5, 2011**

(30) **Foreign Application Priority Data**

Jul. 6, 2010 (WO) 554967701

(51) **LOC (9) Cl.** **09-07**

(52) **U.S. Cl.**
USPC **D9/449**

(58) **Field of Classification Search** D9/529,
D9/503, 454, 453, 449, 447, 446, 442, 440,
D9/435; D7/392.1; 222/556, 521, 494, 492; 220/837,
220/835, 820, 811, 810, 375, 260, 254.7,
220/254.3; 215/322, 321, 306, 305, 237,
215/235; 206/540, 539, 538, 216
See application file for complete search history.

(56) **References Cited**

U.S. PATENT DOCUMENTS

6,409,034 B2 6/2002 Schorner
7,051,888 B2 * 5/2006 Antier et al. 215/235
D536,975 S * 2/2007 Smith et al. D9/449
7,404,495 B2 7/2008 Keung
D629,299 S * 12/2010 Mazurkiewicz D9/449

FOREIGN PATENT DOCUMENTS

WO WO 2006/102601 A1 9/2006

OTHER PUBLICATIONS

U.S. Appl. No. 13/150,601, filed Jun. 1, 2011, David William Ingram.
U.S. Appl. No. 13/247,300, filed Sep. 28, 2011, Filip Dominique Hubert Vangeel.
U.S. Appl. No. 13/247,351, filed Sep. 28, 2011, Filip Dominique Hubert Vangeel.

* cited by examiner

Primary Examiner — Susan Bennett Hattan

(74) *Attorney, Agent, or Firm* — Melissa G Krasovec

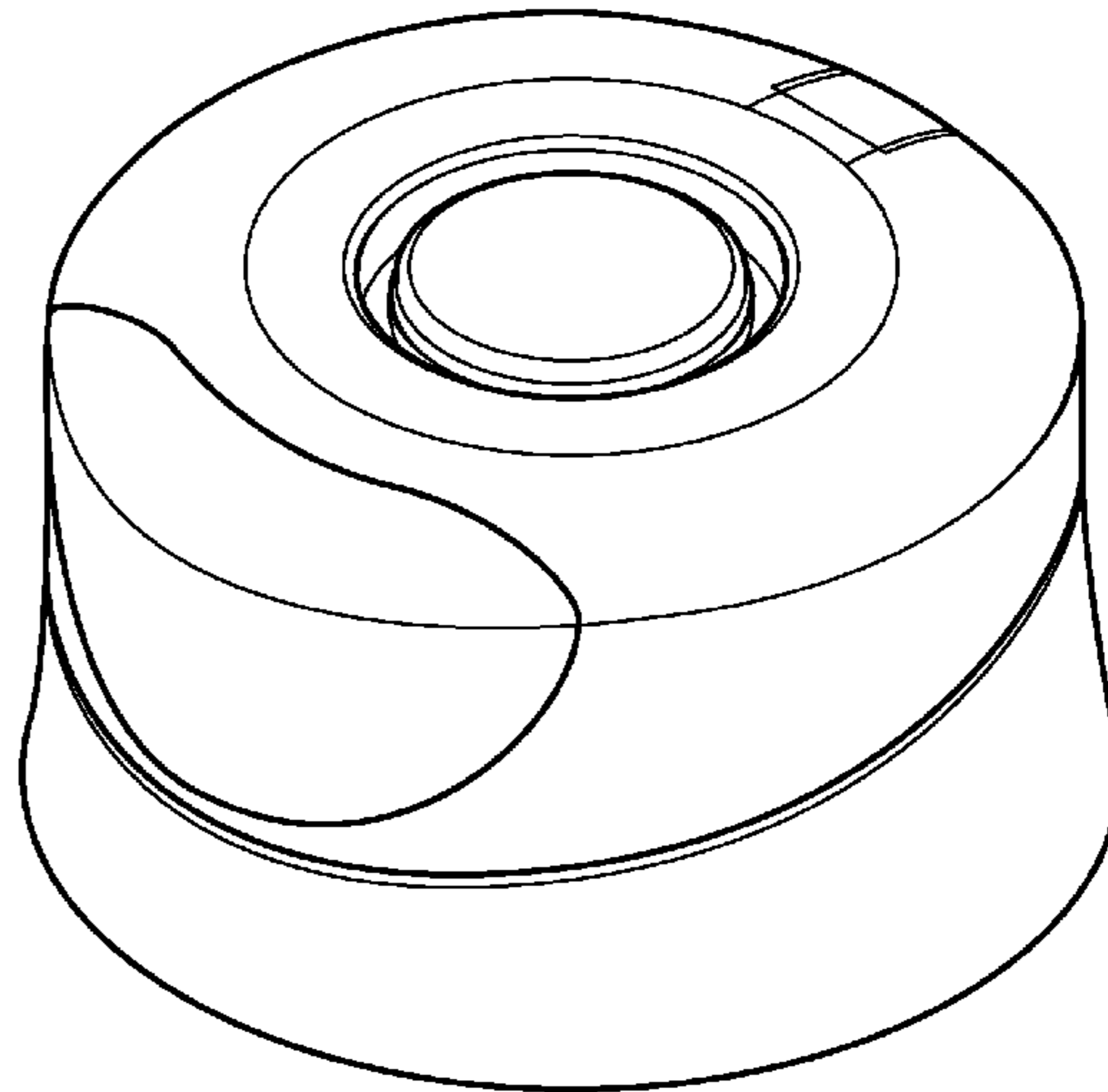
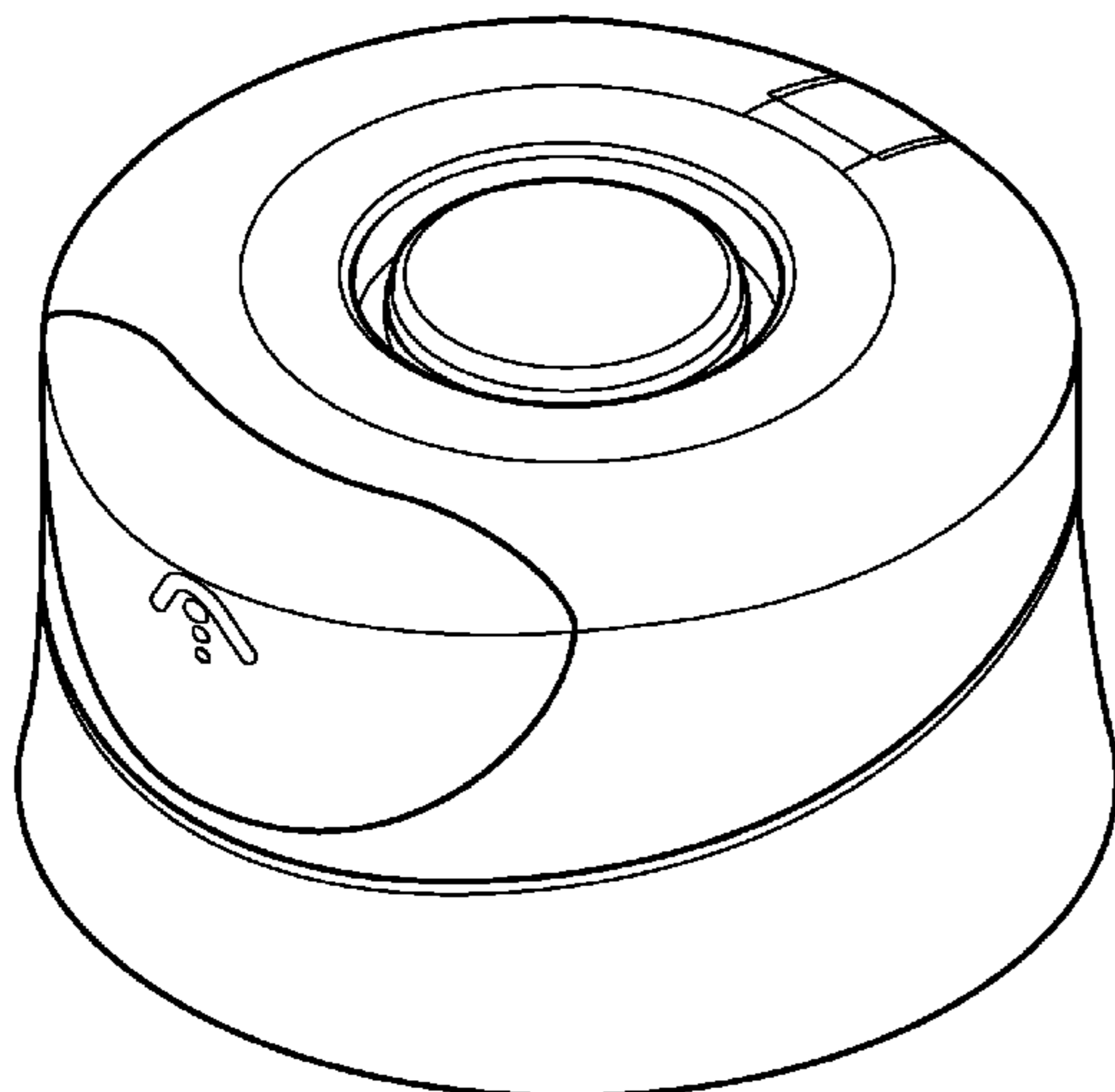
(57) **CLAIM**

The ornamental design for a cap for a bottle, as shown and described.

DESCRIPTION

FIG. 1 is an isometric view of a cap for a bottle, embodying the new design;
FIG. 2 is a left view thereof;
FIG. 3 is a right thereof;
FIG. 4 is a front view thereof;
FIG. 5 is a back view thereof;
FIG. 6 is a top view thereof;
FIG. 7 is a bottom view thereof;
FIG. 8 is an isometric view of a cap for a bottle, embodying the new design;
FIG. 9 is a left view thereof;
FIG. 10 is a right thereof;
FIG. 11 is a front view thereof;
FIG. 12 is a back view thereof;
FIG. 13 is a top view thereof; and,
FIG. 14 is a bottom view thereof.
The broken lines in the drawing depict environmental subject matter only and form no part of the claimed design.

1 Claim, 14 Drawing Sheets



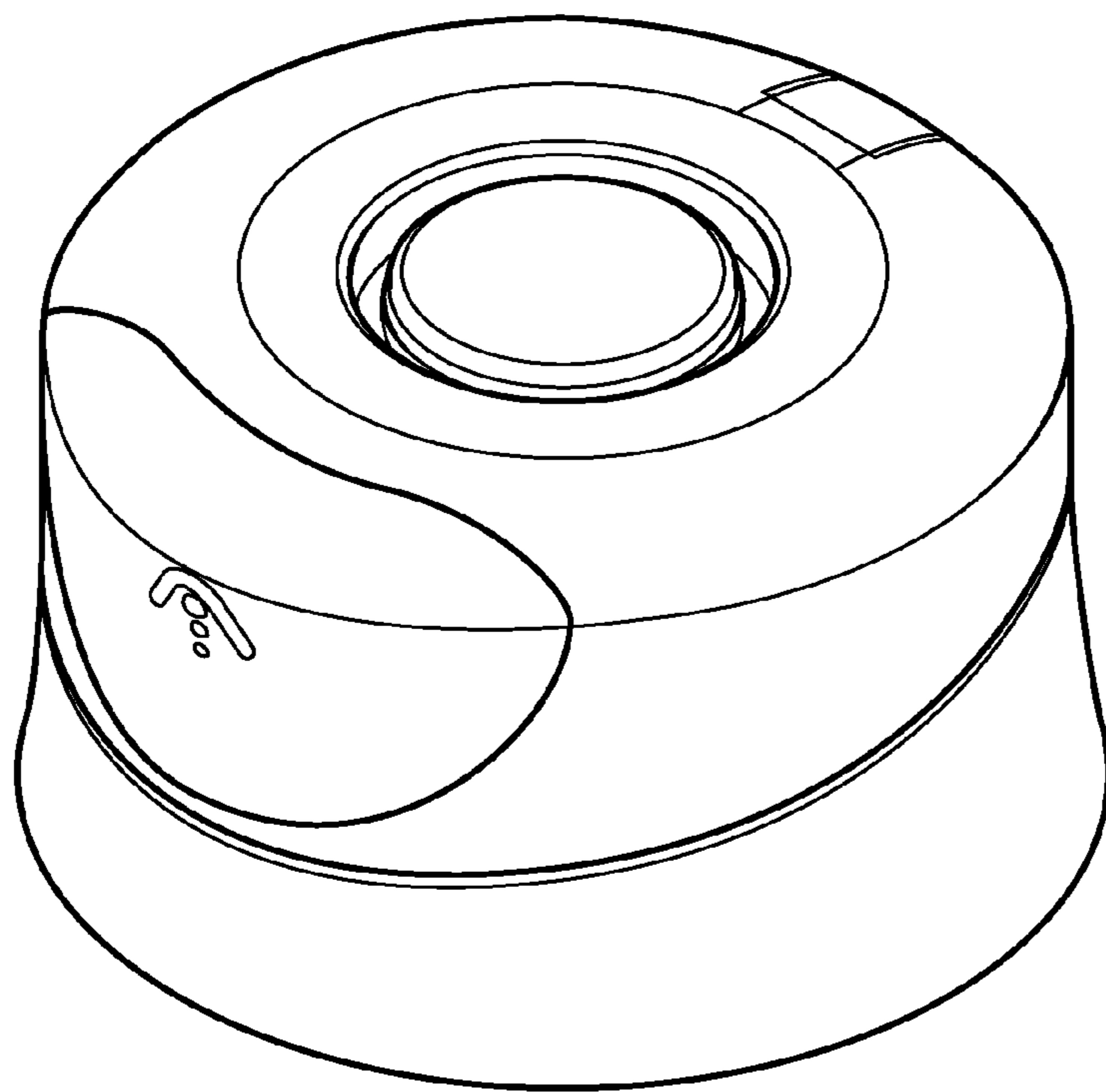


FIG. 1

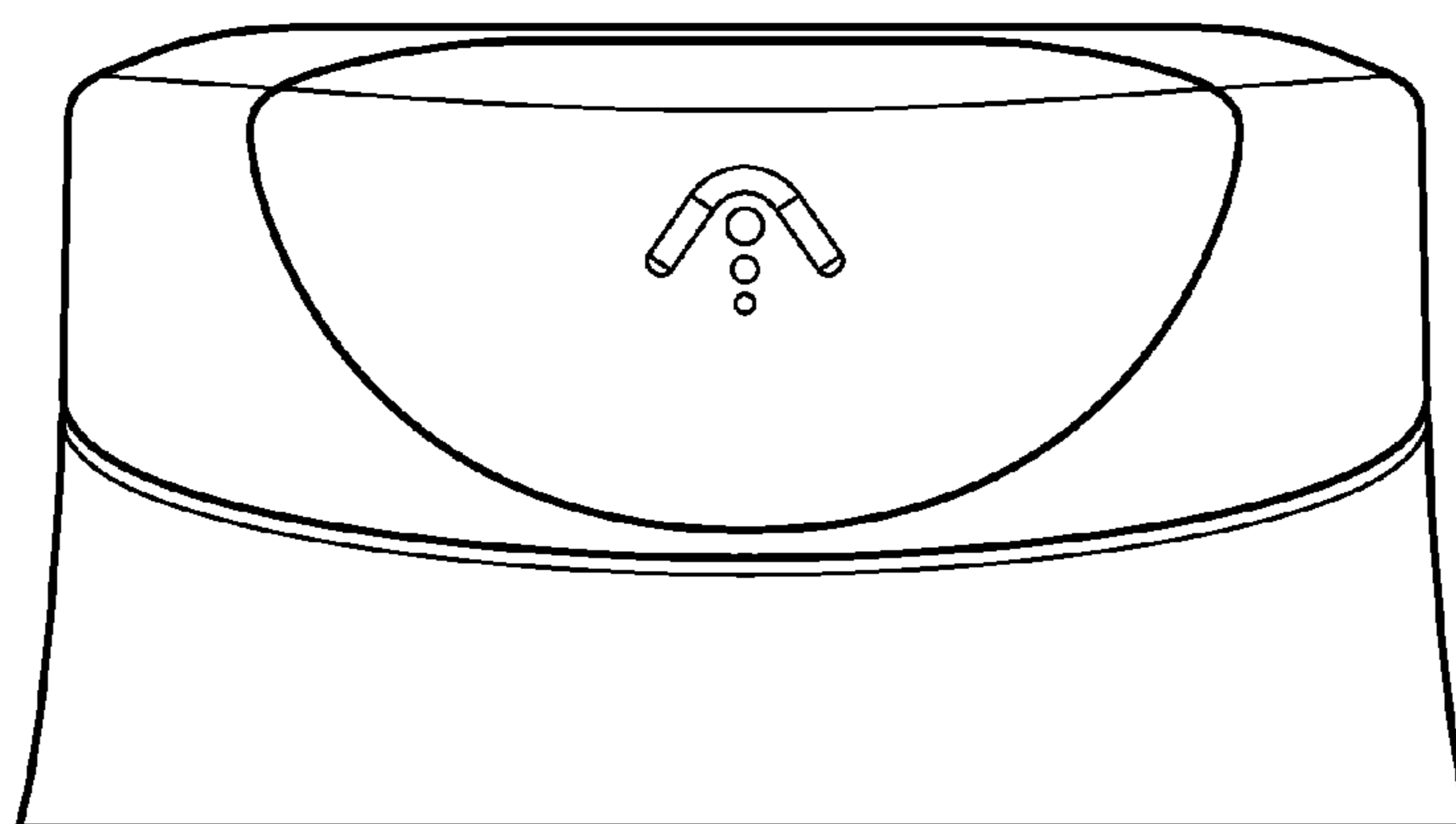


FIG. 2

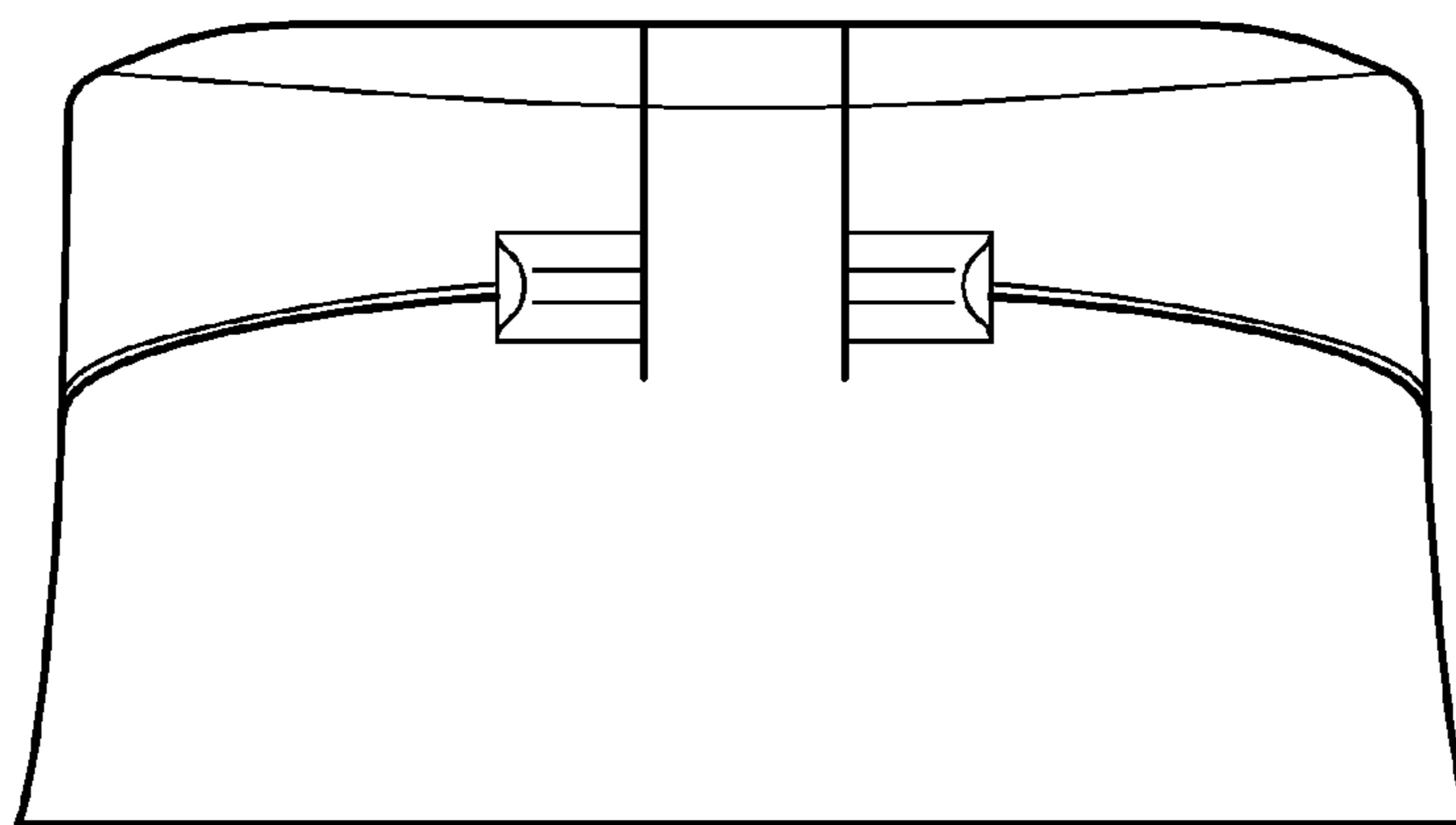


FIG. 3

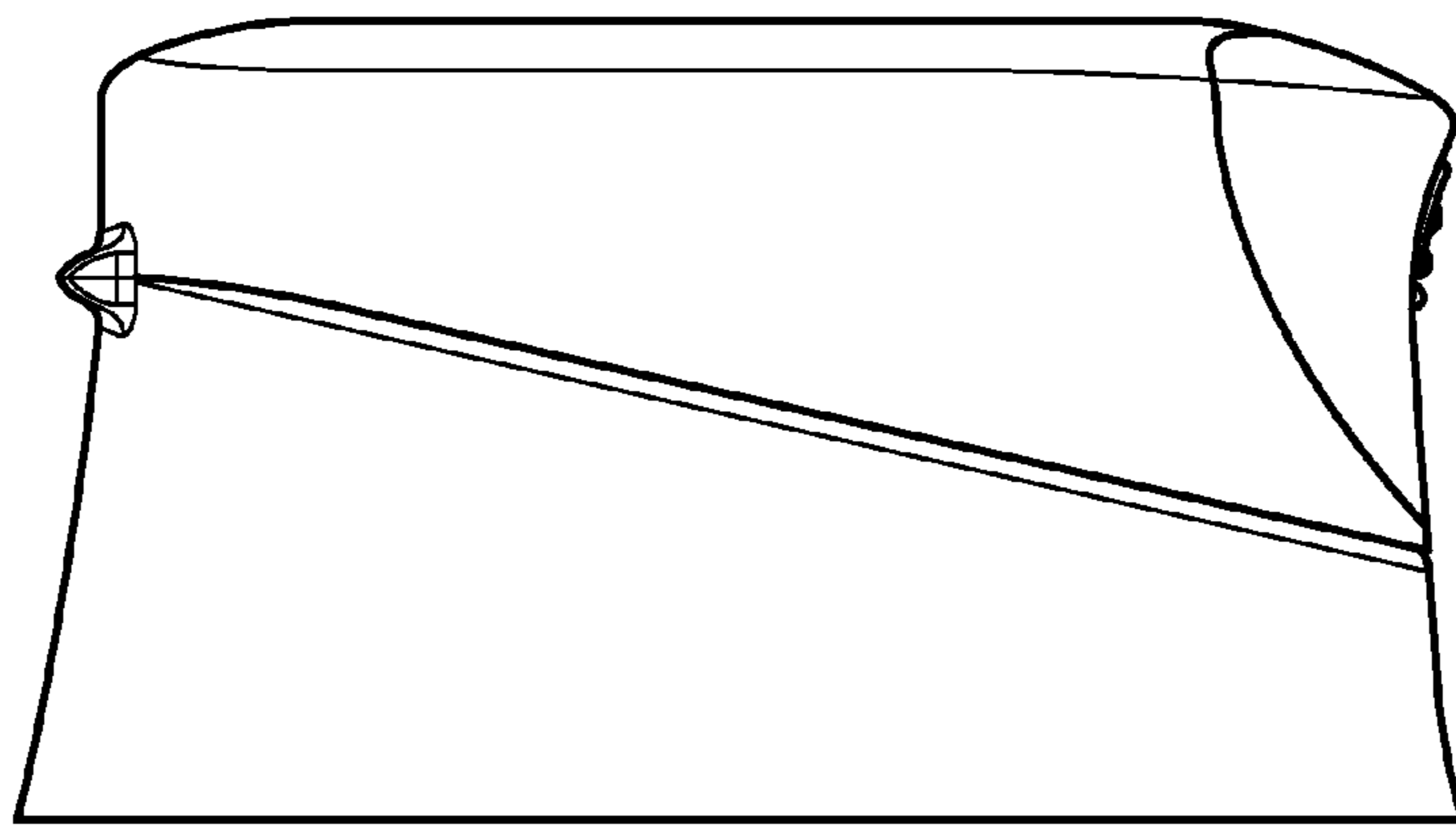


FIG. 4

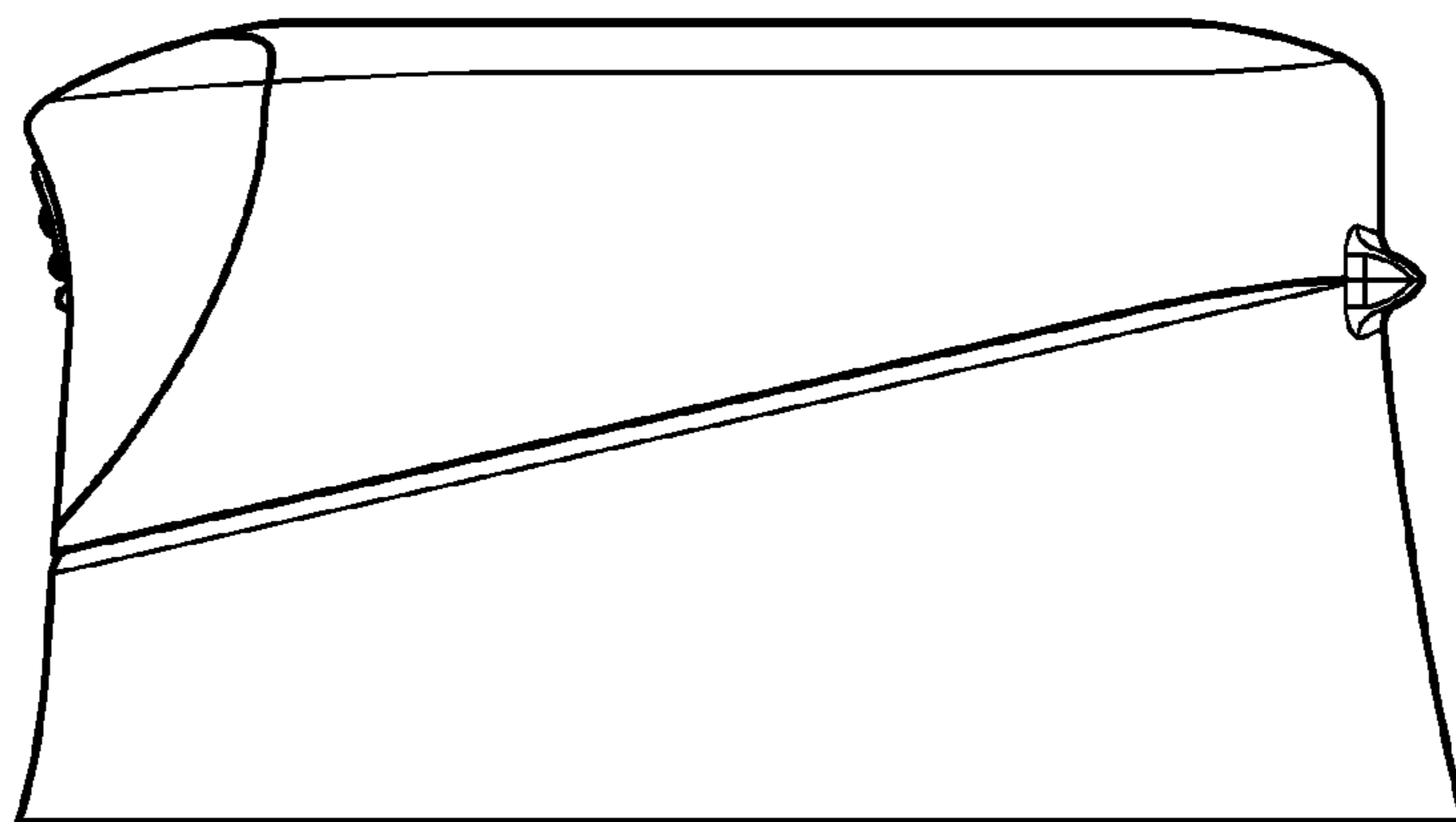


FIG. 5

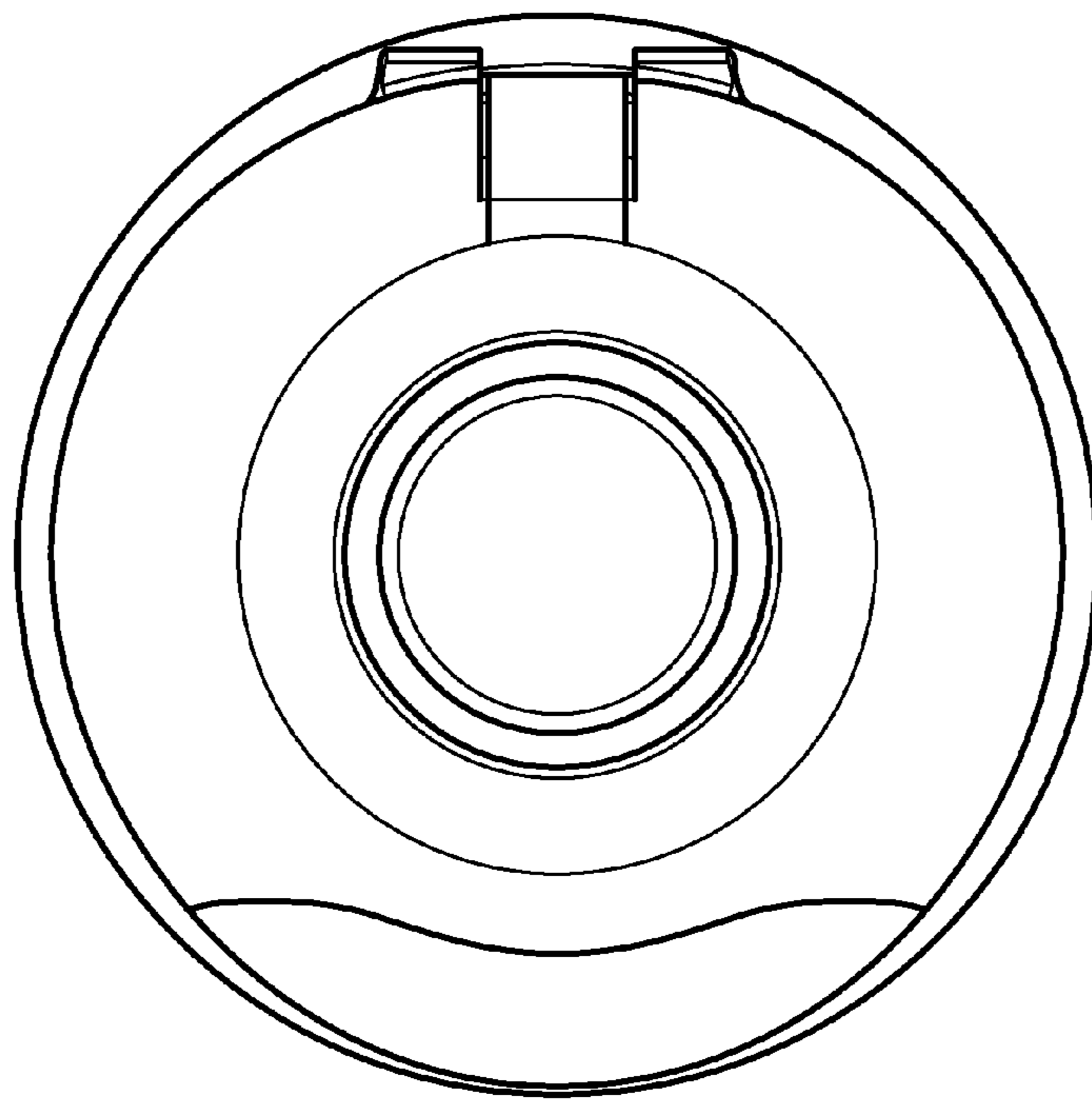


FIG. 6

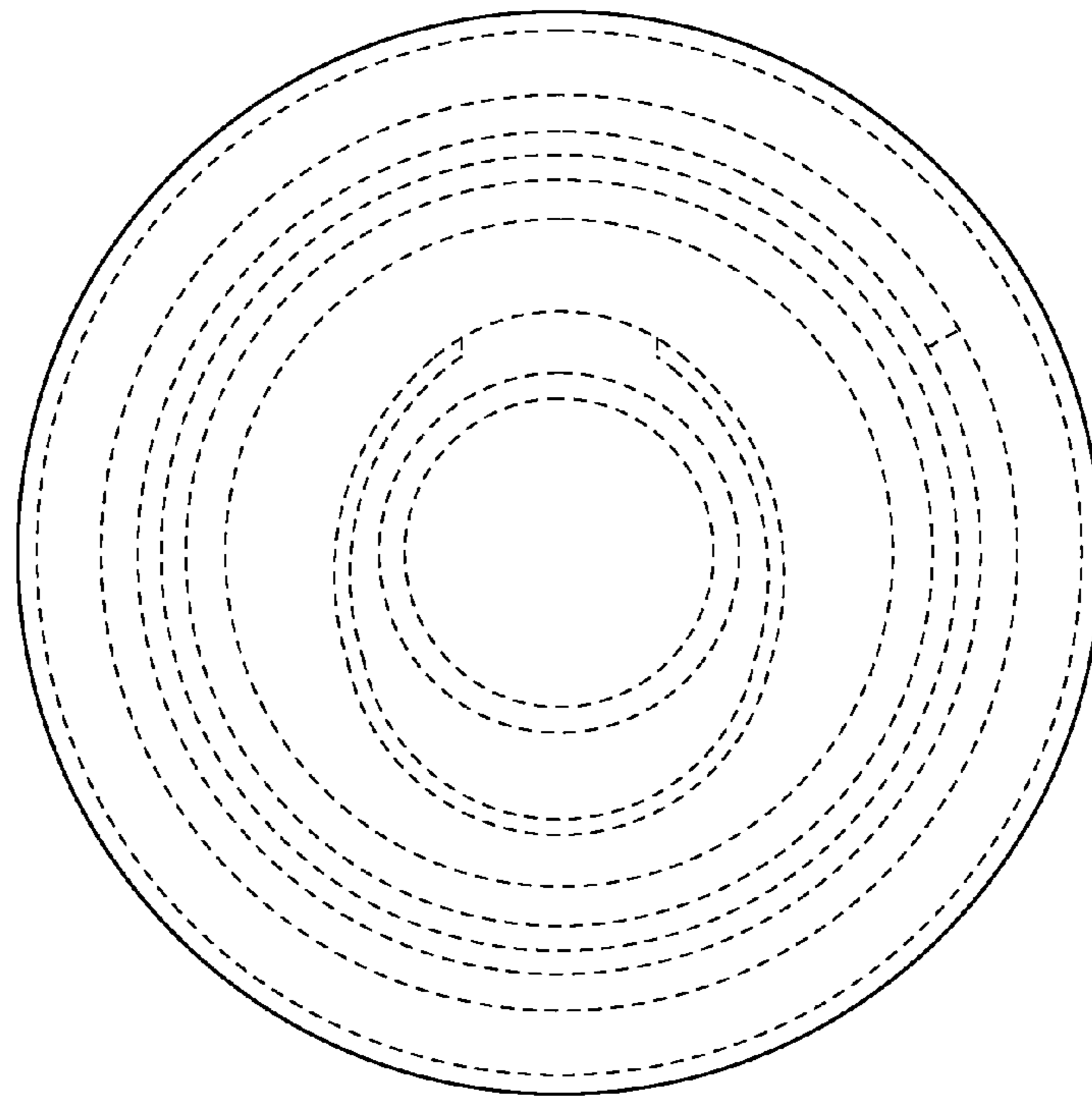


FIG. 7

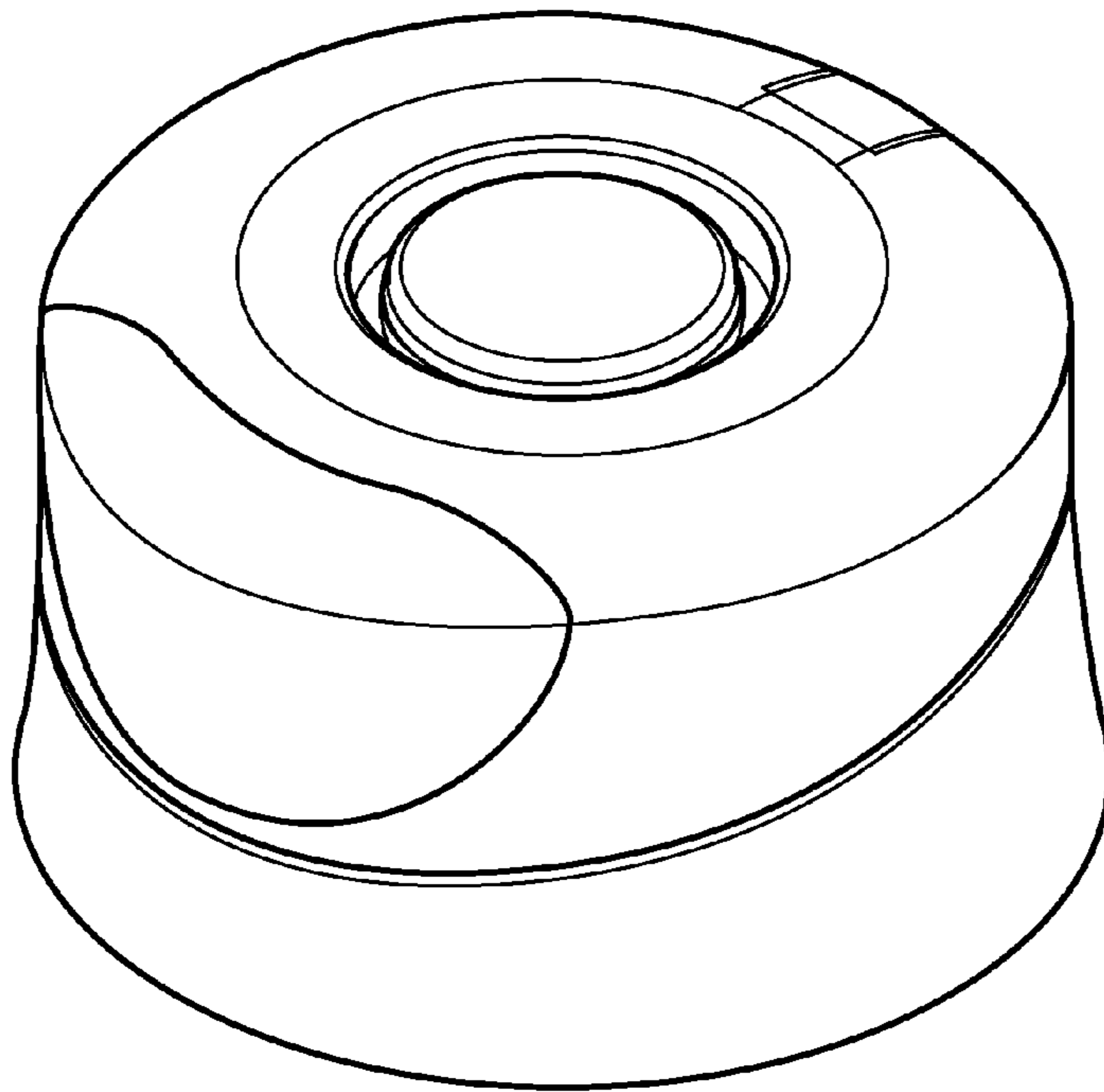


FIG. 8

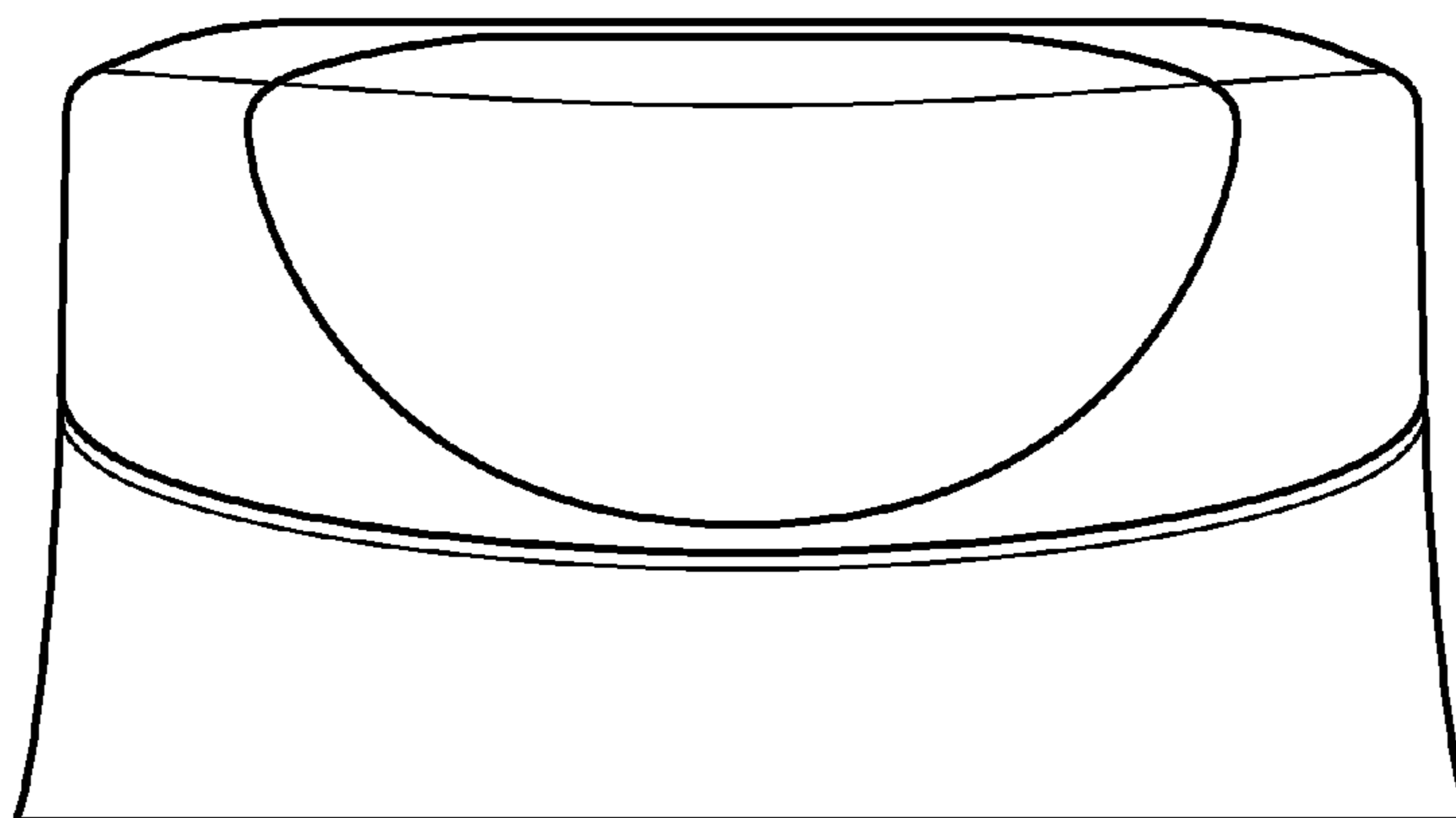


FIG. 9

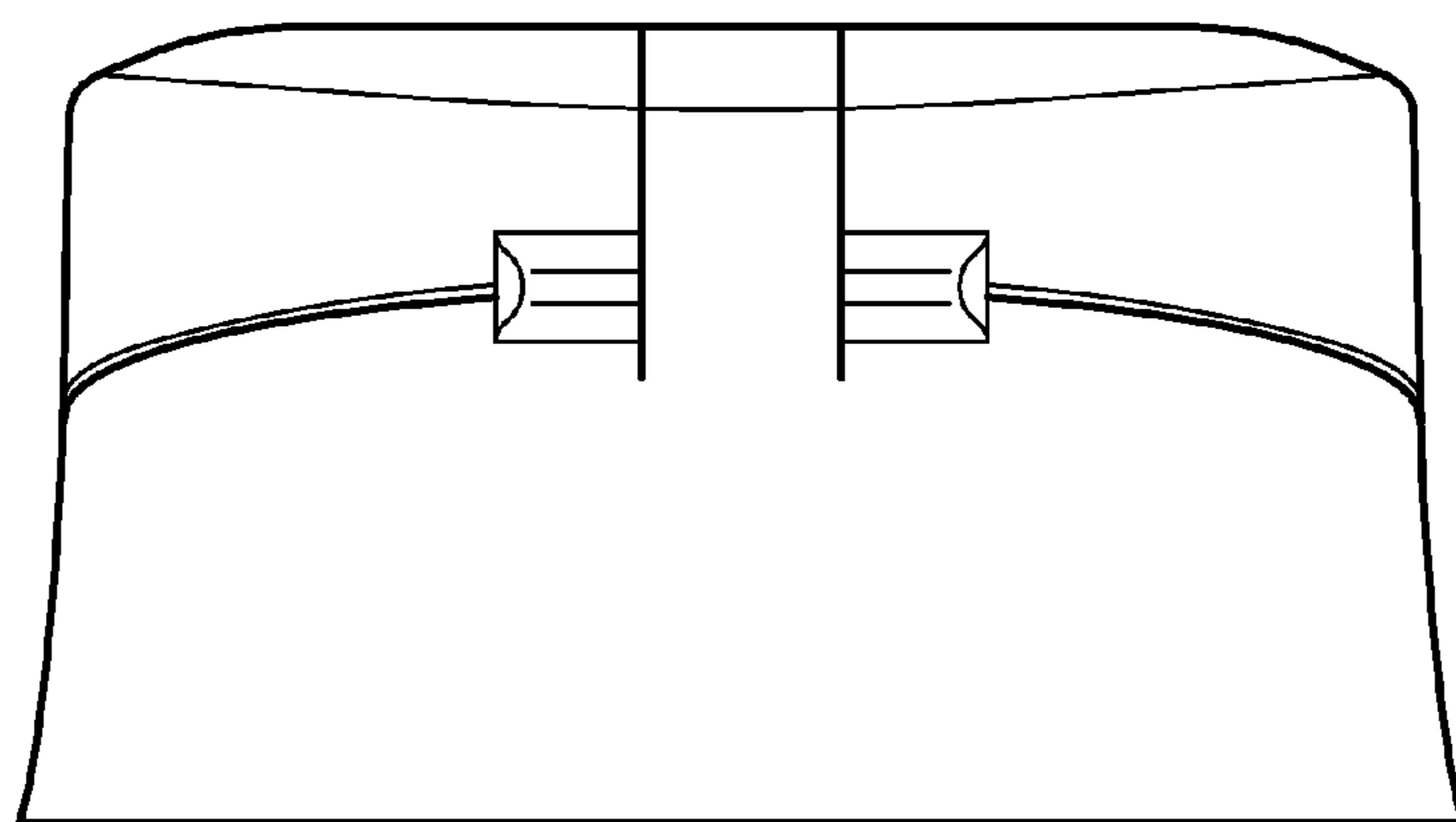


FIG. 10

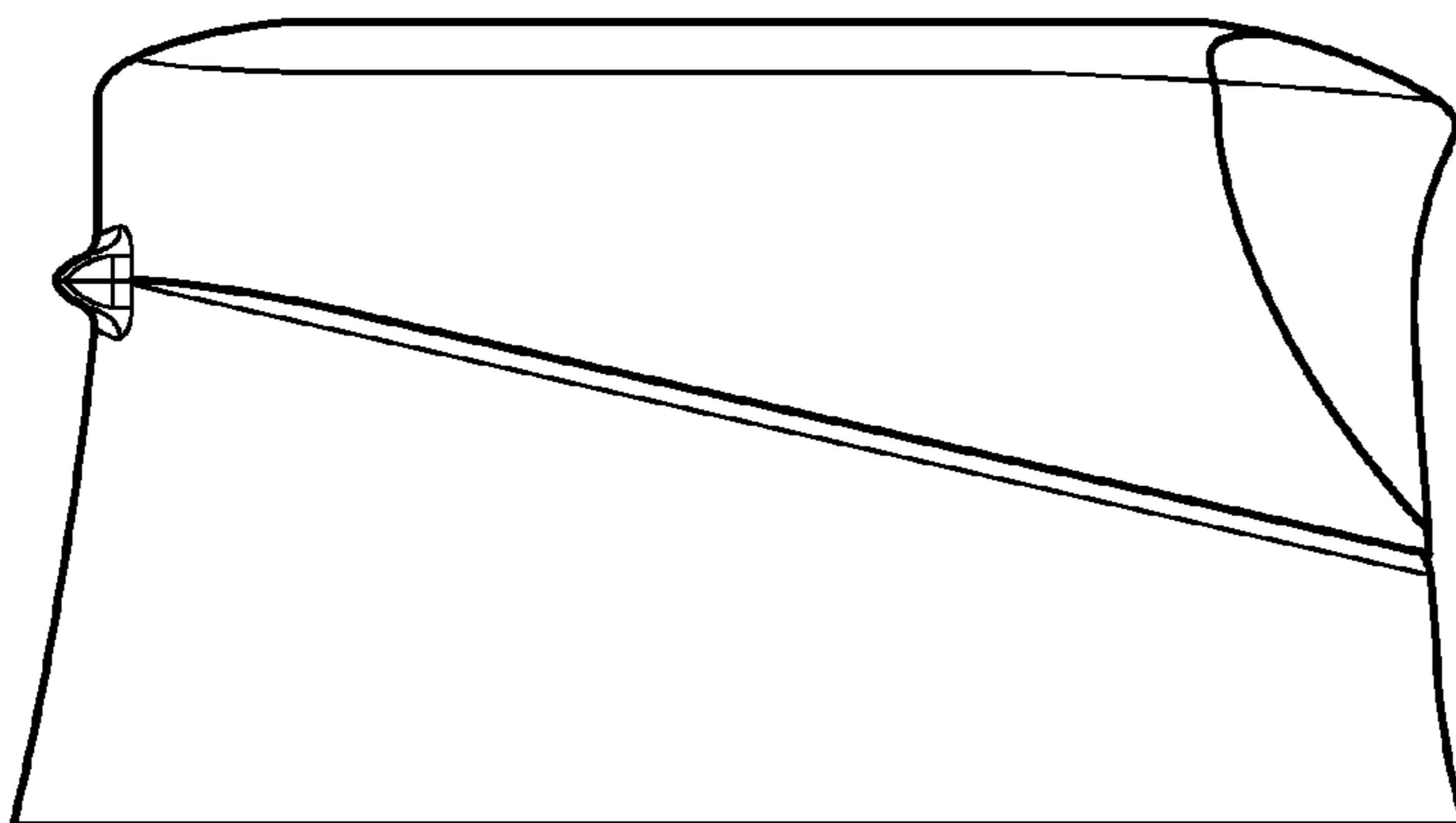


FIG. 11

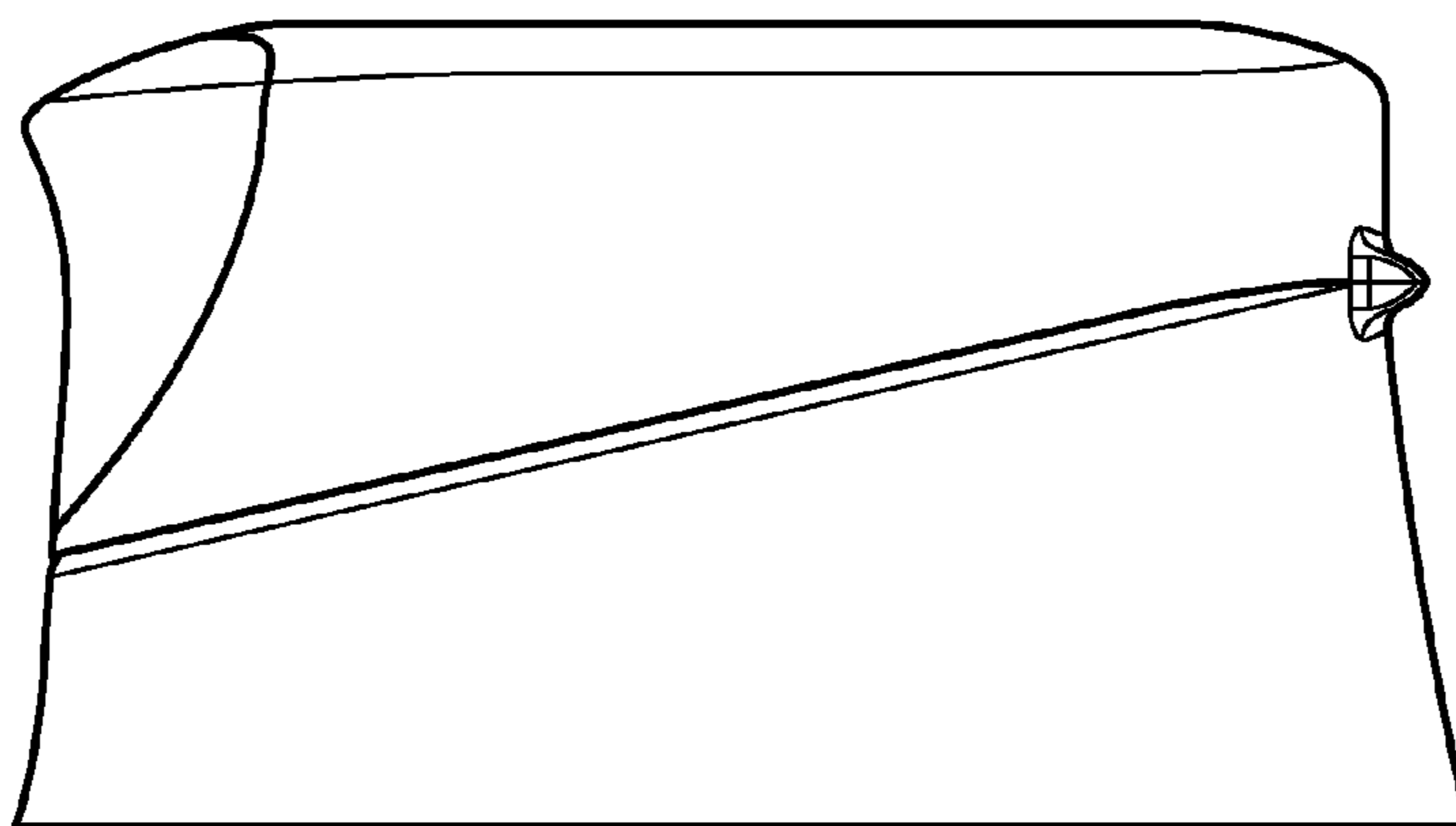


FIG. 12

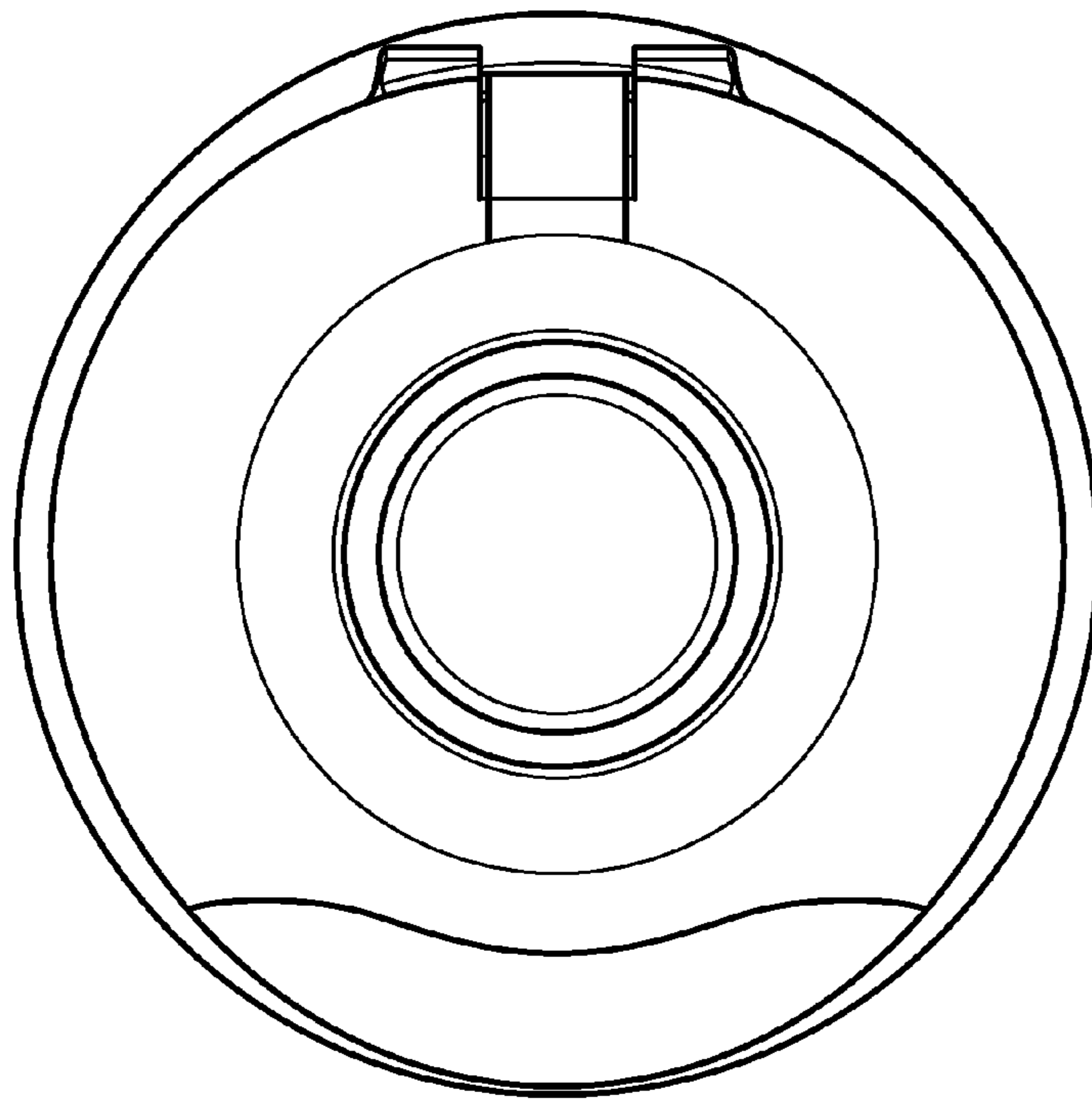


FIG. 13

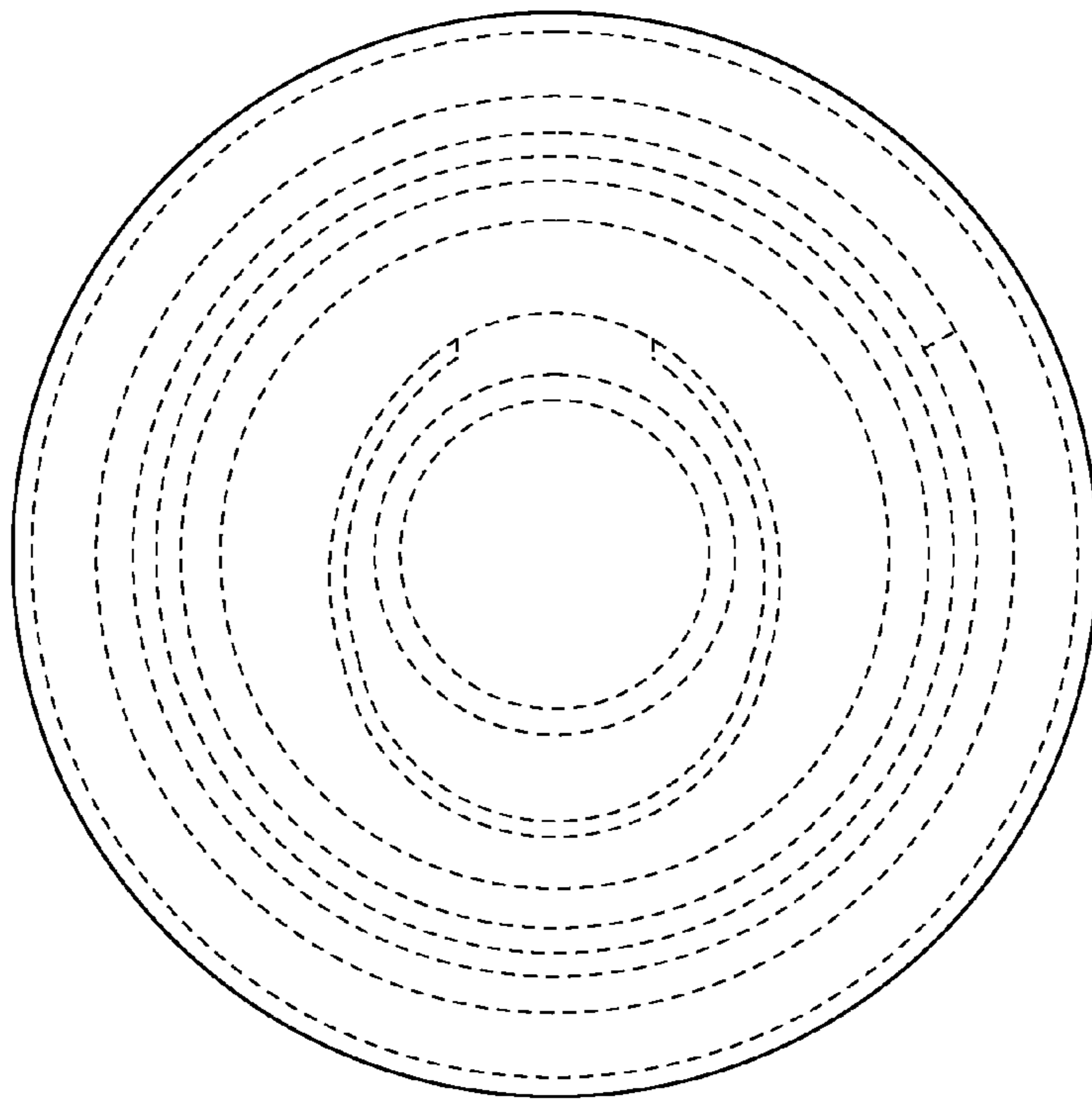


FIG. 14