



US00D682098S

(12) **United States Design Patent**
Murray

(10) **Patent No.:** **US D682,098 S**

(45) **Date of Patent:** **** May 14, 2013**

(54) **CAP**

(75) **Inventor:** **R. Charles Murray**, Sarasota, FL (US)

(73) **Assignee:** **Pouch Pac Innovations, LLC**, Sarasota, FL (US)

(**) **Term:** **14 Years**

(21) **Appl. No.:** **29/415,413**

(22) **Filed:** **Mar. 9, 2012**

(51) **LOC (9) Cl.** **09-07**

(52) **U.S. Cl.**
USPC **D9/443; D9/452**

(58) **Field of Classification Search** D9/667,
D9/454, 453, 452, 450, 449, 445, 443, 441,
D9/435; D23/253, 250; 220/270-276; 215/228,
215/217-223, 209

See application file for complete search history.

(56) **References Cited**

U.S. PATENT DOCUMENTS

5,281,878 A *	1/1994	Schaeffer	310/91
D551,561 S *	9/2007	Bieger et al.	D9/561
D579,332 S *	10/2008	Krivoshein	D9/453
D587,973 S *	3/2009	Romano	D7/629

* cited by examiner

Primary Examiner — Susan Bennett Hattan

(74) *Attorney, Agent, or Firm* — Gifford, Krass, Sprinkle, Anderson & Citkowski, P.C.

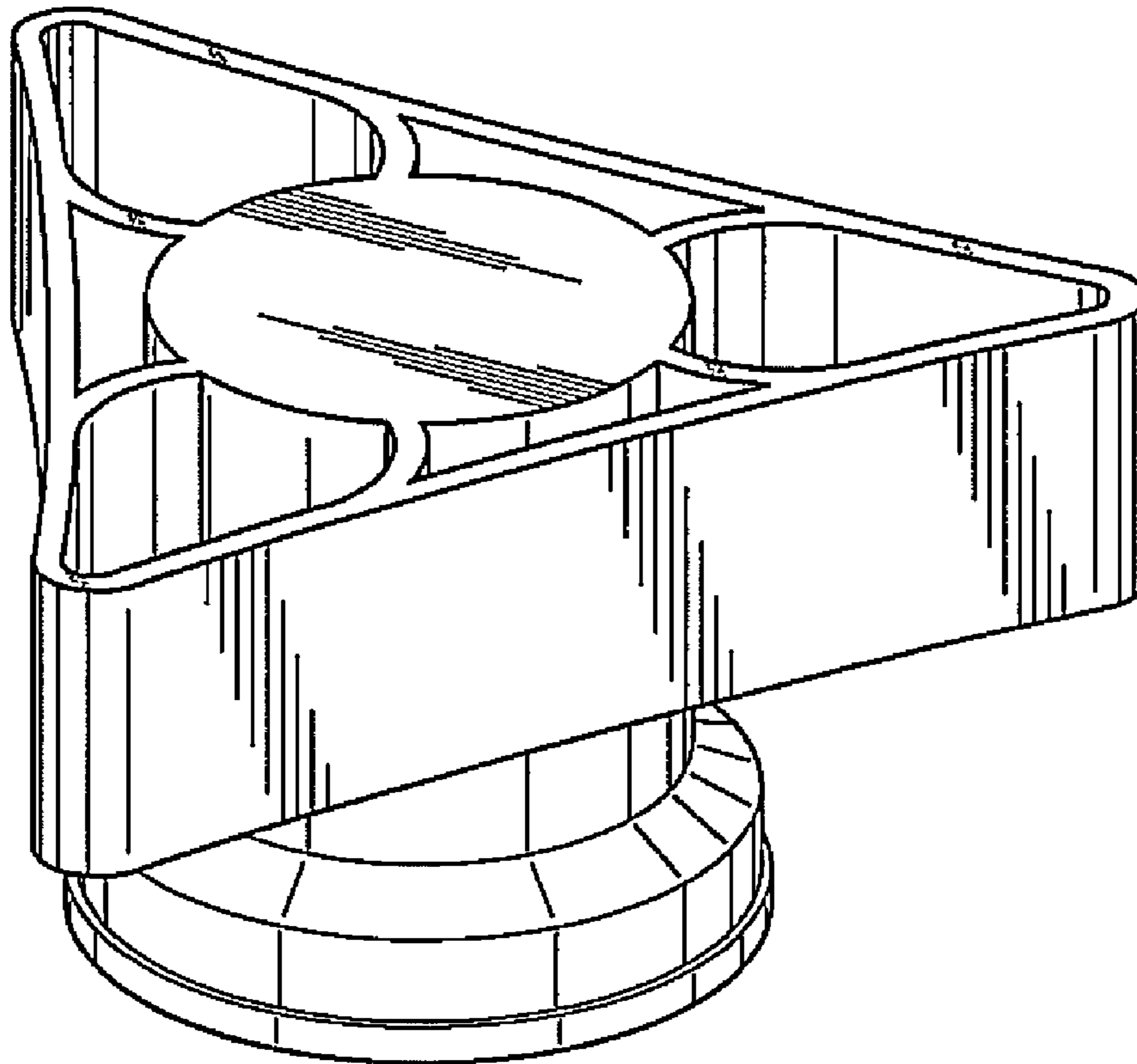
(57) **CLAIM**

The ornamental design for a cap, as shown and described.

DESCRIPTION

FIG. 1 is a perspective view of the top of the cap;
FIG. 2 is an elevational view of the top of the cap;
FIG. 3 is front view of the cap;
FIG. 4 side view of the cap;
FIG. 5 rear view cap; and,
FIG. 6 is an elevational view of the bottom of the cap.
The broken lines in the figures are illustrative of the environment of the design and not part of the claimed design.

1 Claim, 2 Drawing Sheets



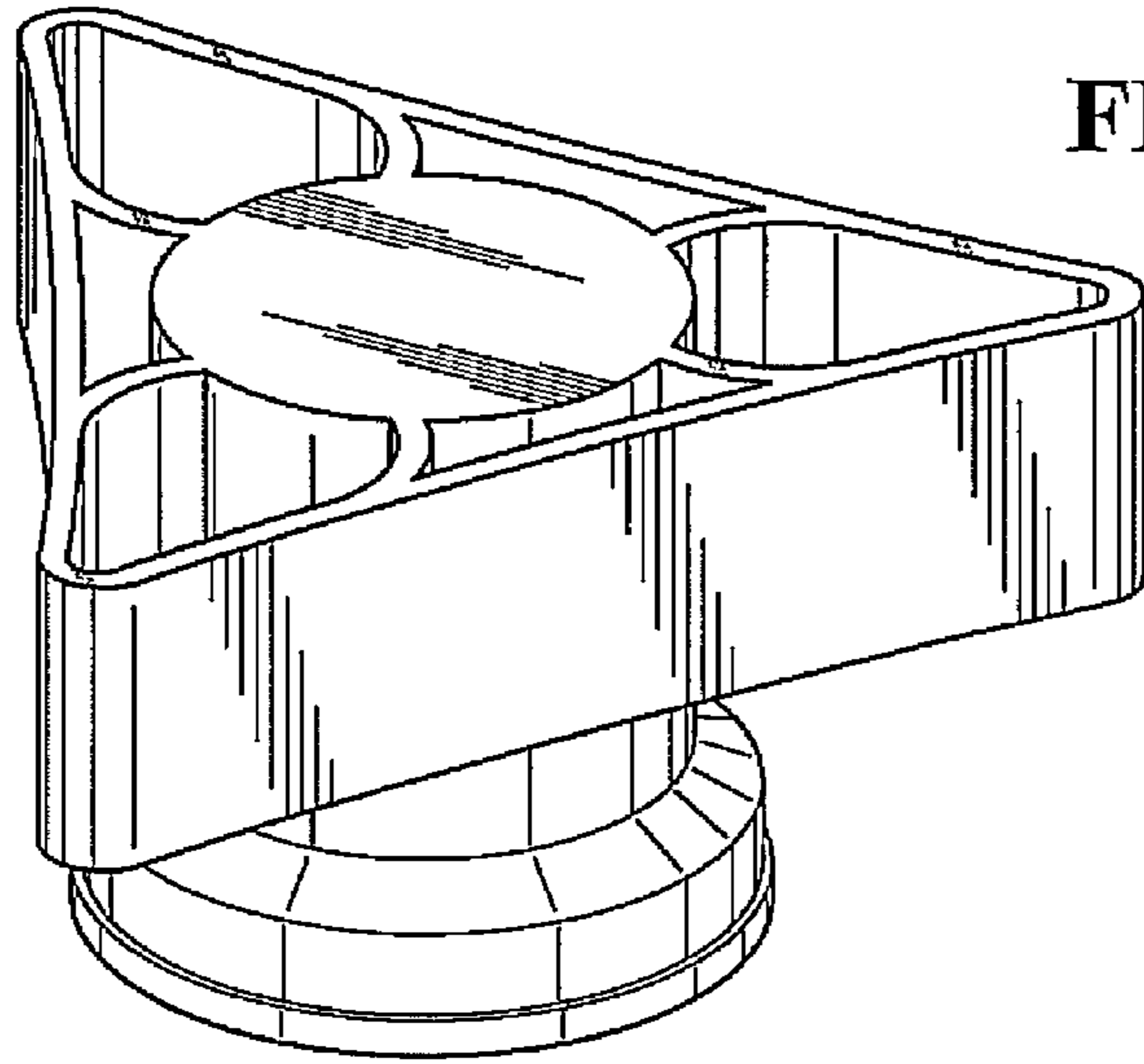


FIG. 1

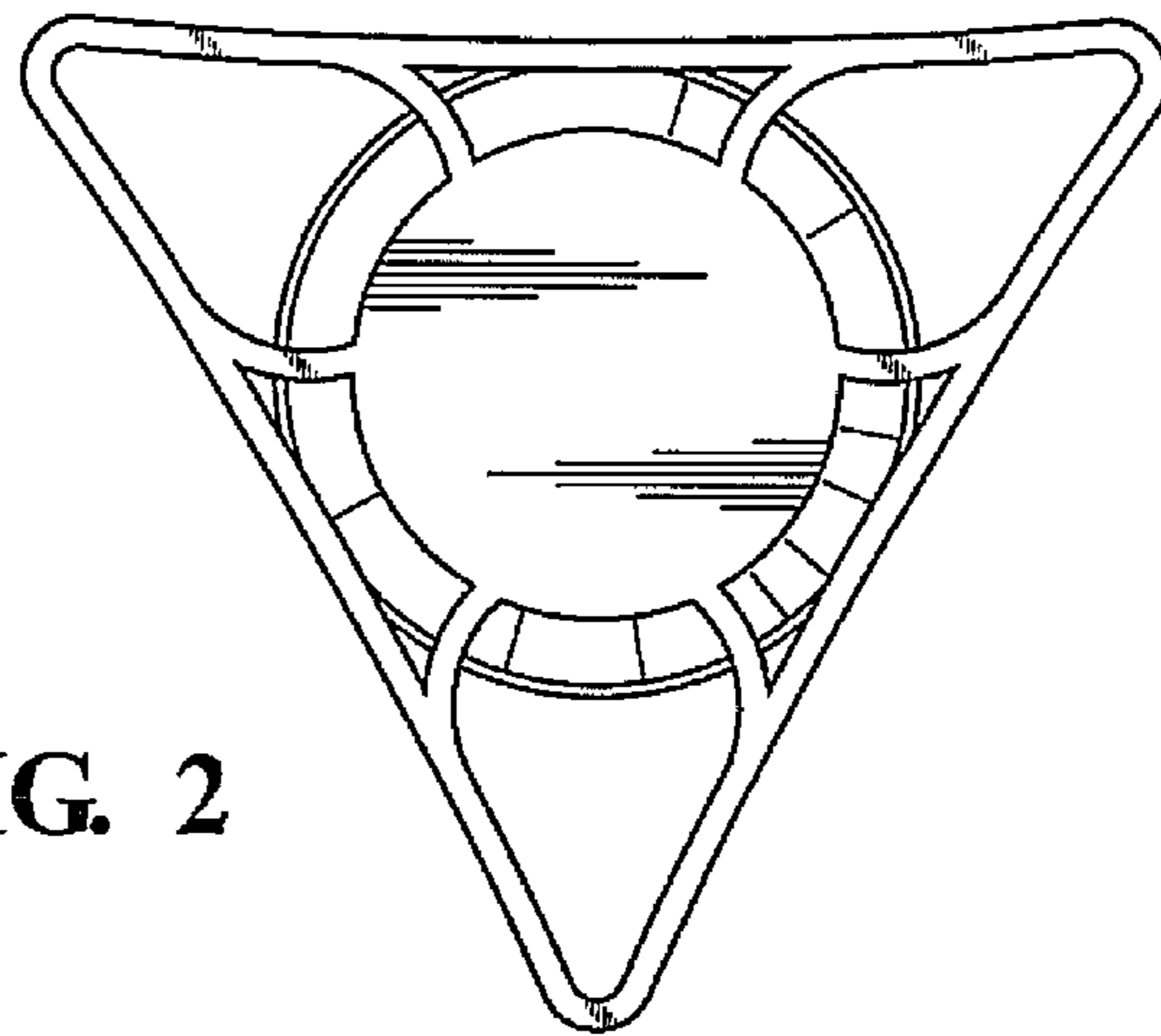


FIG. 2

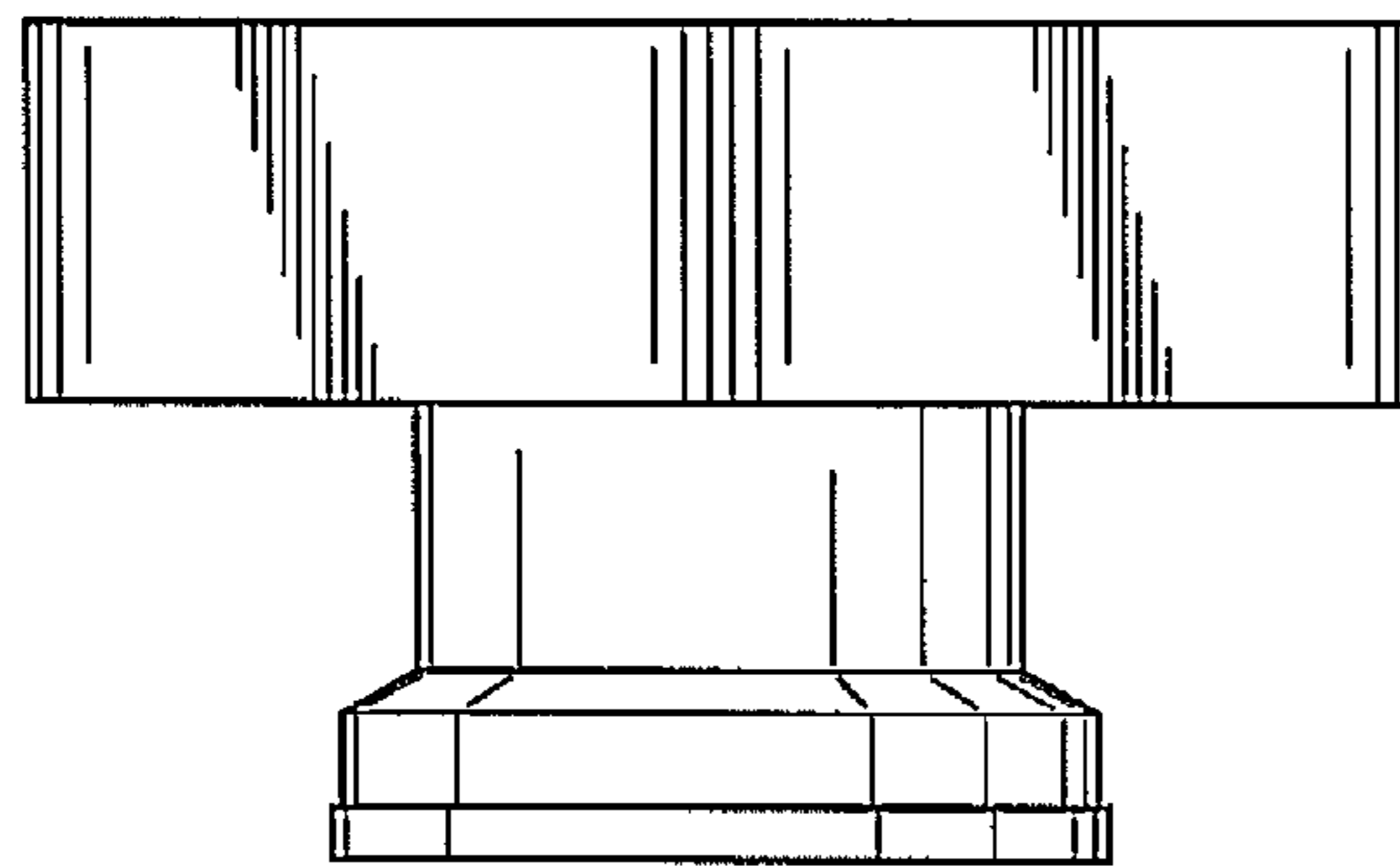


FIG. 3

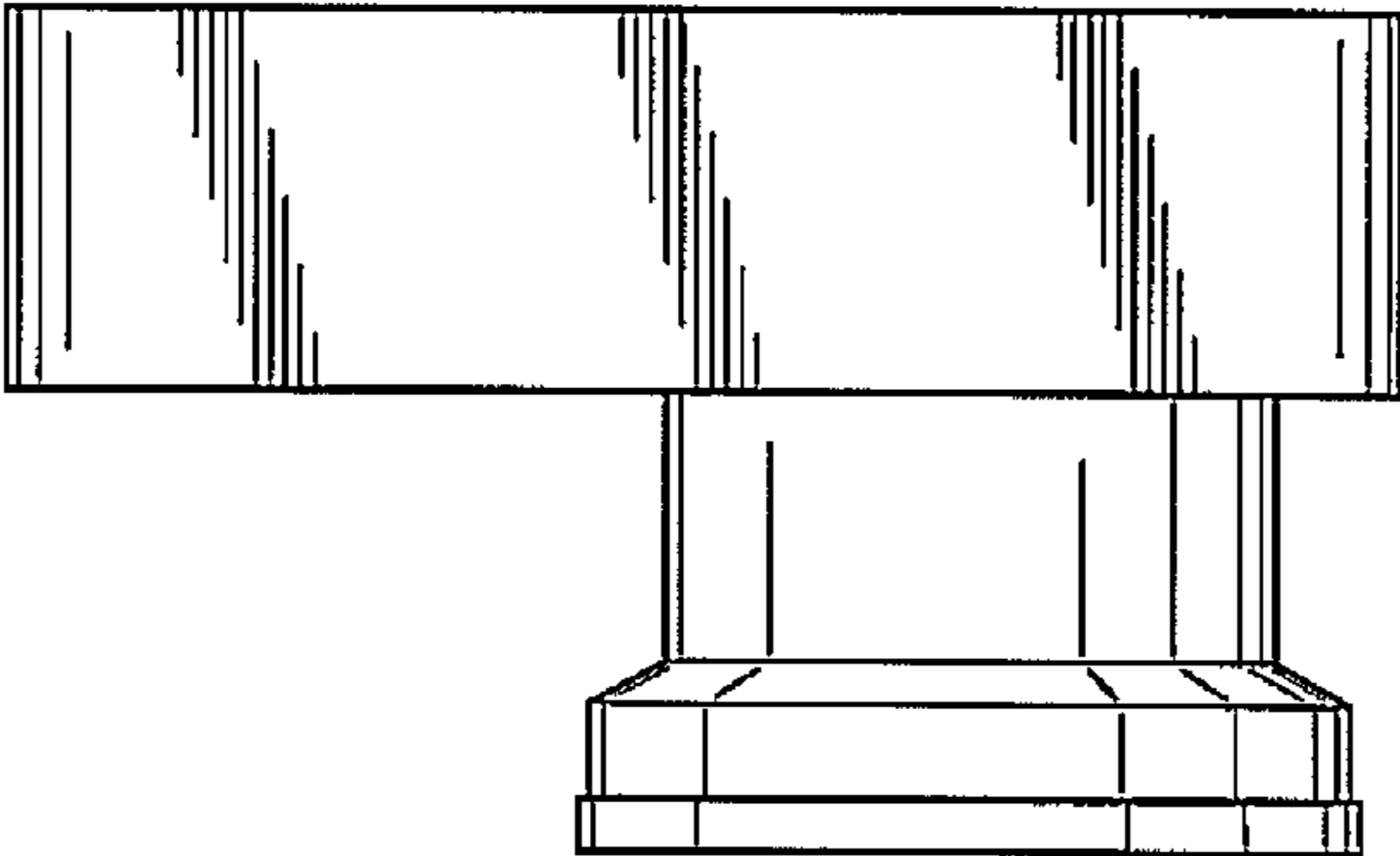


FIG. 4

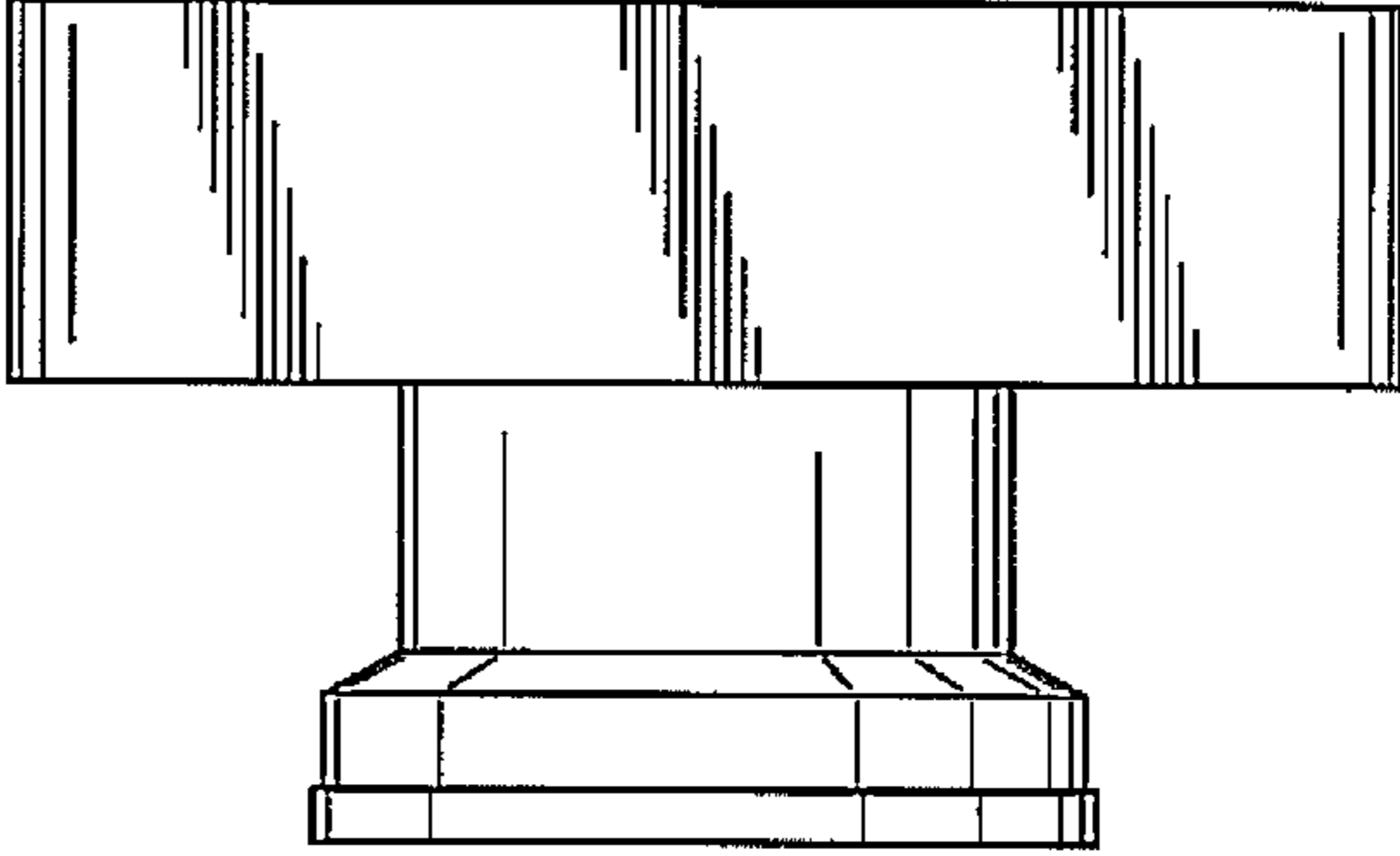


FIG. 5

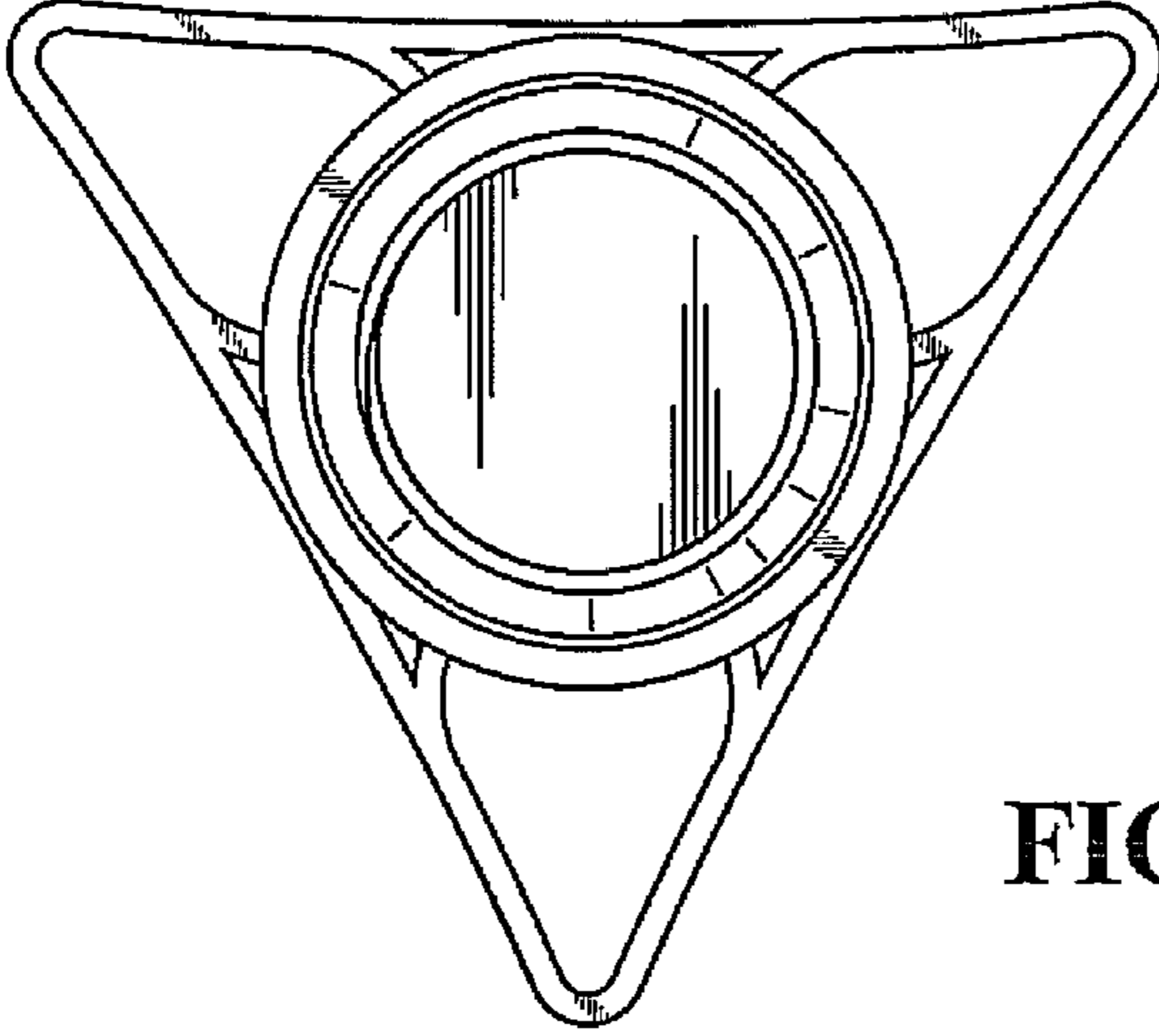


FIG. 6