



US00D682097S

(12) **United States Design Patent**
Chiorazzi et al.

(10) **Patent No.:** **US D682,097 S**
(45) **Date of Patent:** **** May 14, 2013**

(54) **BOTTLE PLUG**

(75) Inventors: **Frank P. Chiorazzi**, Salinas, CA (US);
Frank O. Chiorazzi, Salinas, CA (US)

(73) Assignee: **Franmara, Inc.**, Salinas, CA (US)

(**) Term: **14 Years**

(21) Appl. No.: **29/420,419**

(22) Filed: **May 9, 2012**

(51) **LOC (9) Cl.** **09-07**

(52) **U.S. Cl.**
USPC **D9/439**

(58) **Field of Classification Search** D9/453,
D9/452, 451, 443, 439, 432, 420, 448; D7/628;
D24/115; D12/197; D11/157; 229/125.04,
229/125.09, 117.3; 222/498, 481, 182, 321.7-321.9,
222/402.11-402.15; 220/786, 269-270,
220/254.1, 228; 215/355-364, 247, 235;
206/423; 239/338, 339

See application file for complete search history.

(56) **References Cited**

U.S. PATENT DOCUMENTS

D199,440 S *	10/1964	Jones	D19/62
D428,812 S *	8/2000	Bakic	D9/439
D527,611 S *	9/2006	Sato	D8/310
D580,756 S *	11/2008	Seebold	D9/439
2006/0219736 A1 *	10/2006	Revenu	222/129

OTHER PUBLICATIONS

Pulltex silicone wine stopper.

* cited by examiner

Primary Examiner — Susan Bennett Hattan

(74) *Attorney, Agent, or Firm* — LaRiviere, Grubman & Payne, LLP

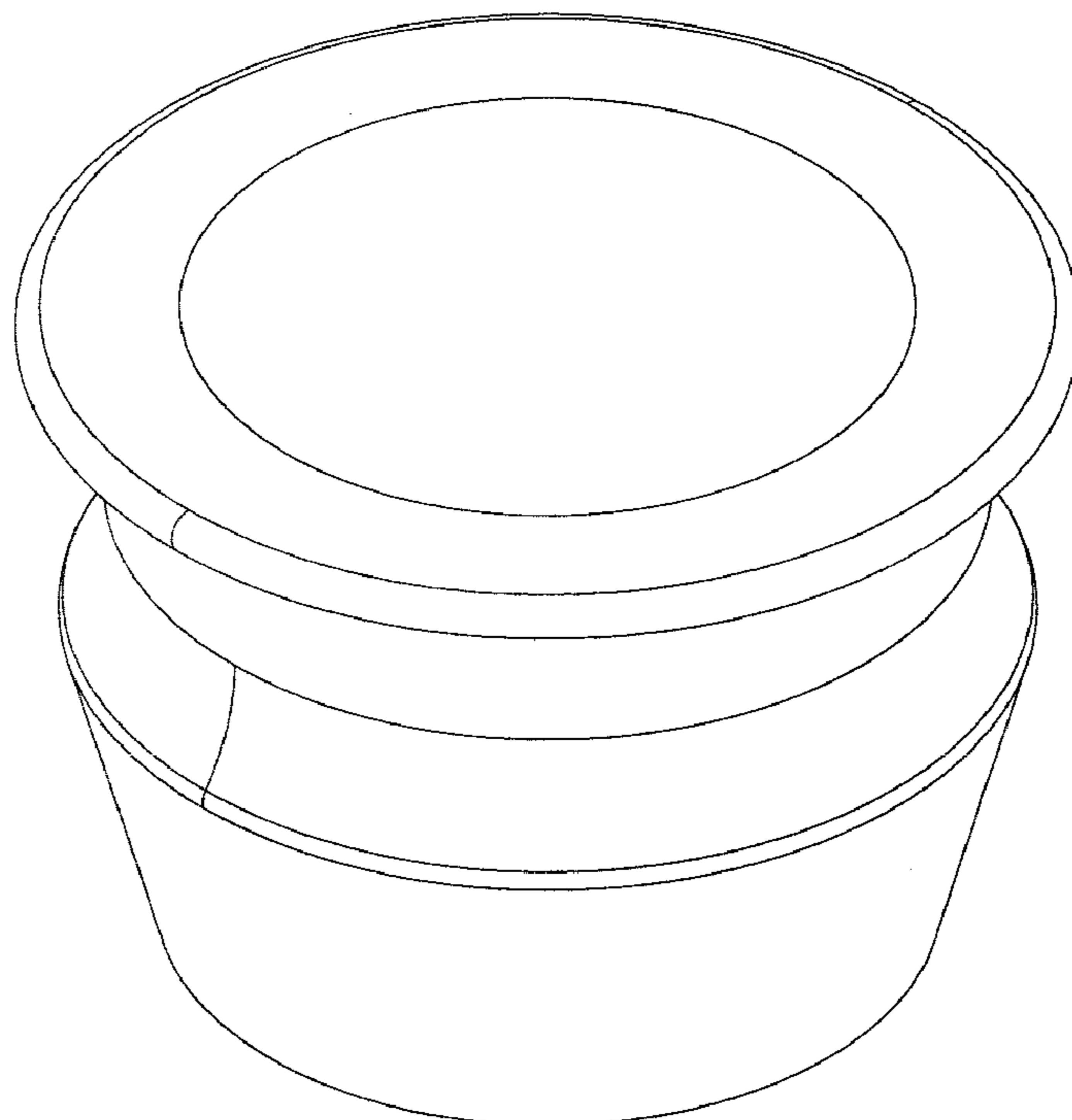
(57) **CLAIM**

The ornamental design for a bottle plug, as shown and described.

DESCRIPTION

FIG. 1 is a front perspective view of a bottle plug, showing our new design;
FIG. 2 is a bottom perspective view thereof;
FIG. 3 is a front view thereof;
FIG. 4 is a rear view thereof;
FIG. 5 is a side view thereof;
FIG. 6 is an opposing side view thereof; and
FIG. 7 is a top view thereof;
FIG. 8 is a bottom view thereof;
FIG. 9 is a cross-sectional view thereof, taken at line 9-9 on FIG. 7; and,
FIG. 10 is a cross-sectional view thereof, taken at line 10-10 on FIG. 7.

1 Claim, 6 Drawing Sheets



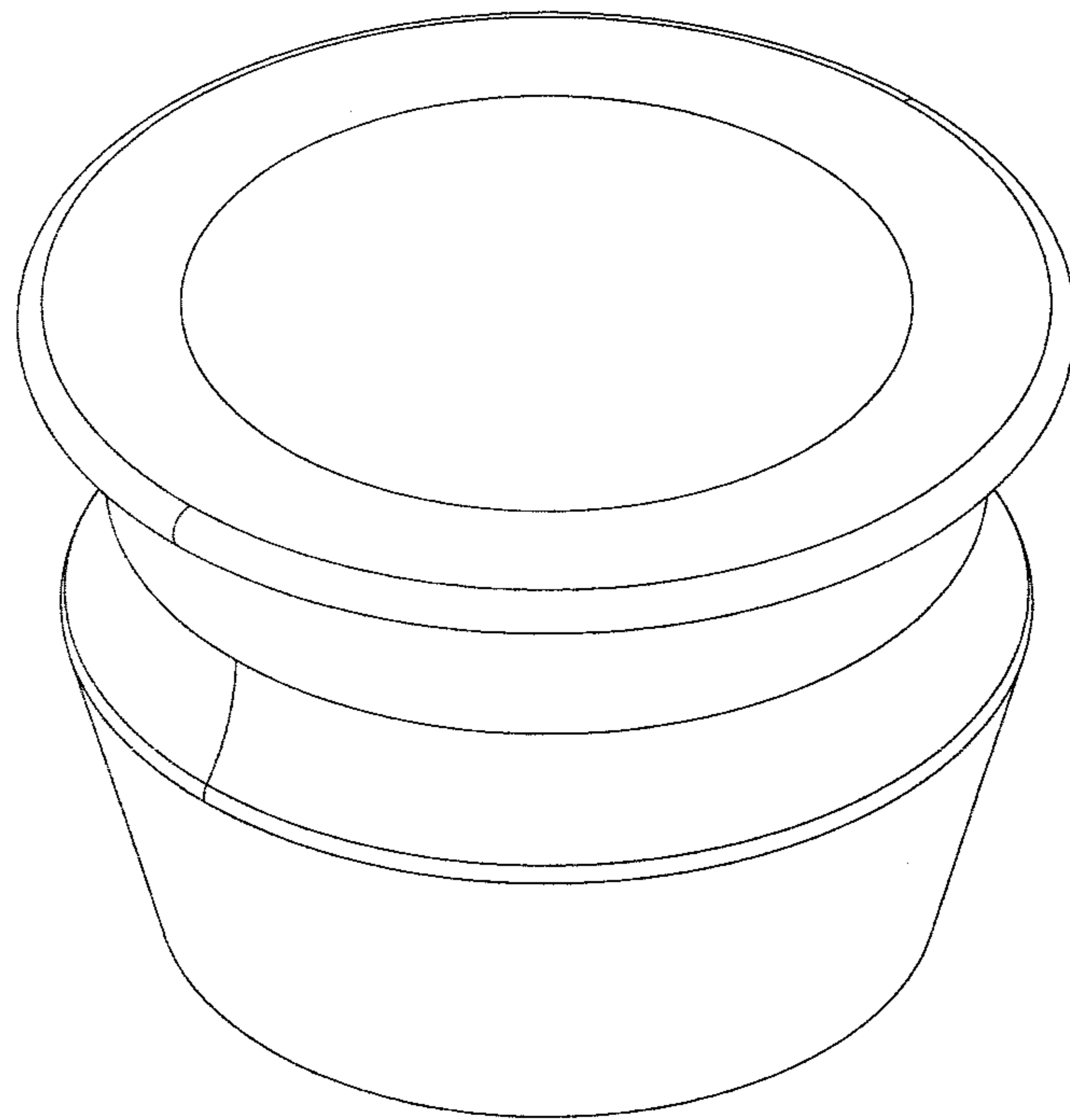


Figure 1

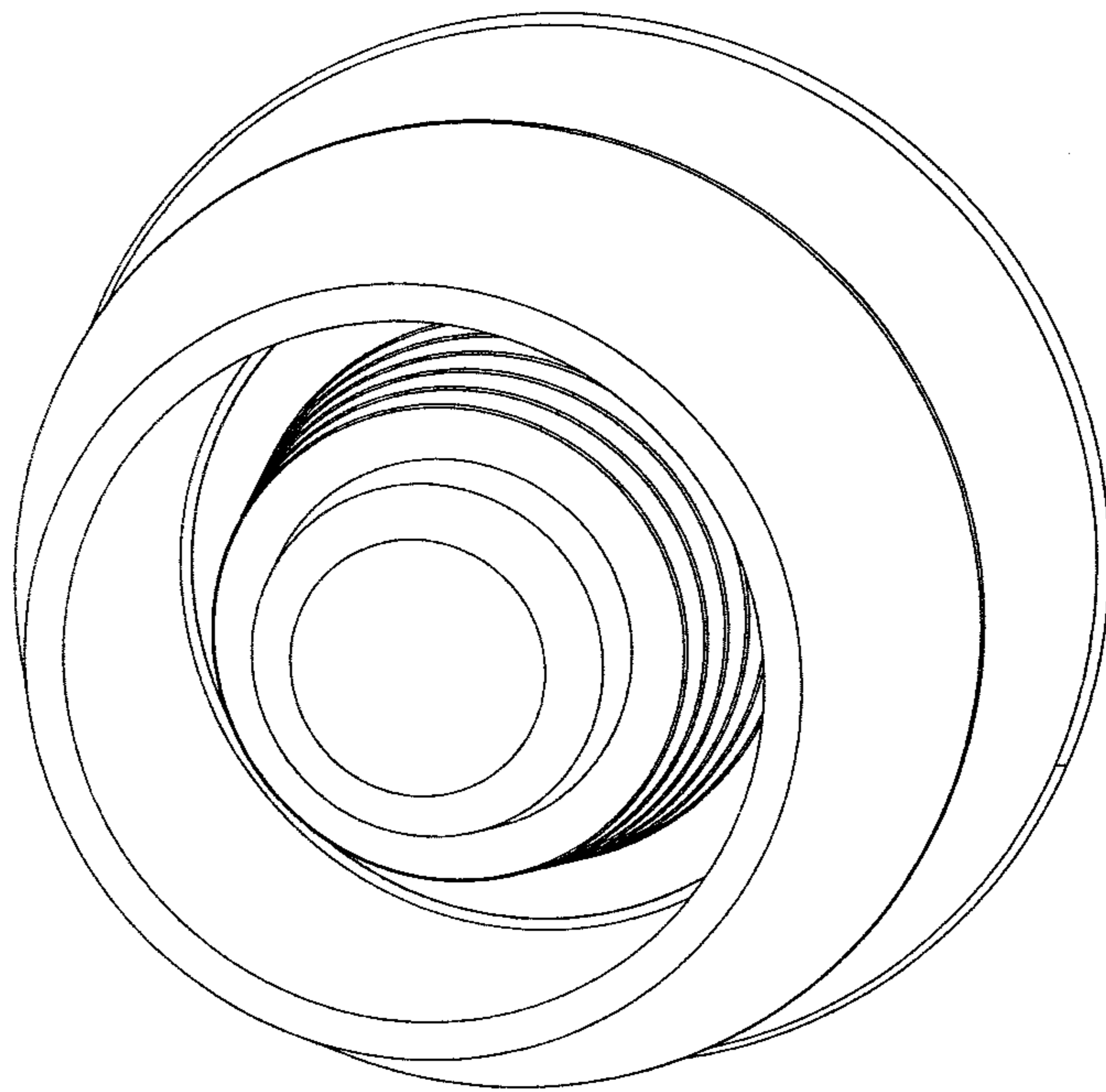


Figure 2

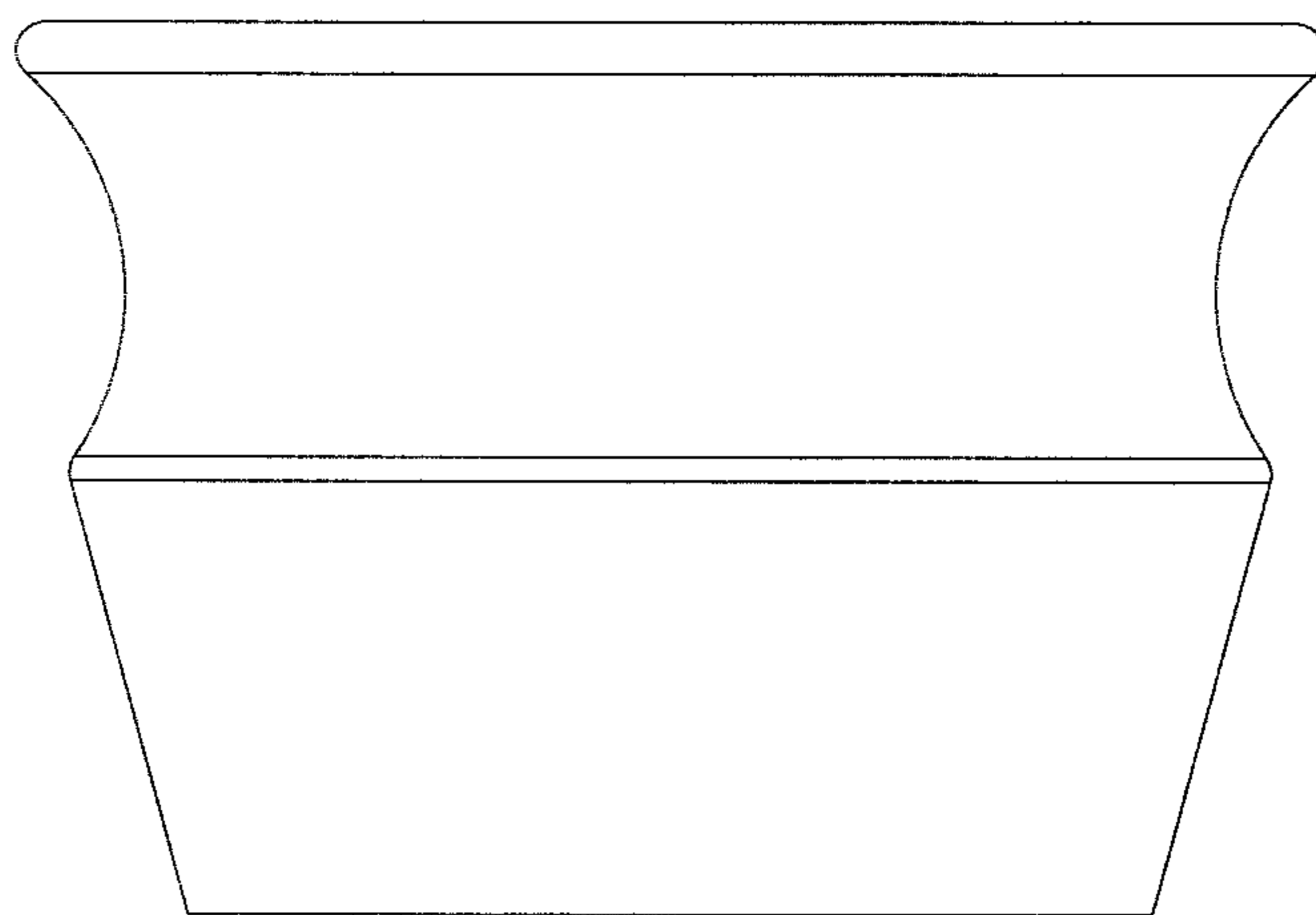


Figure 3

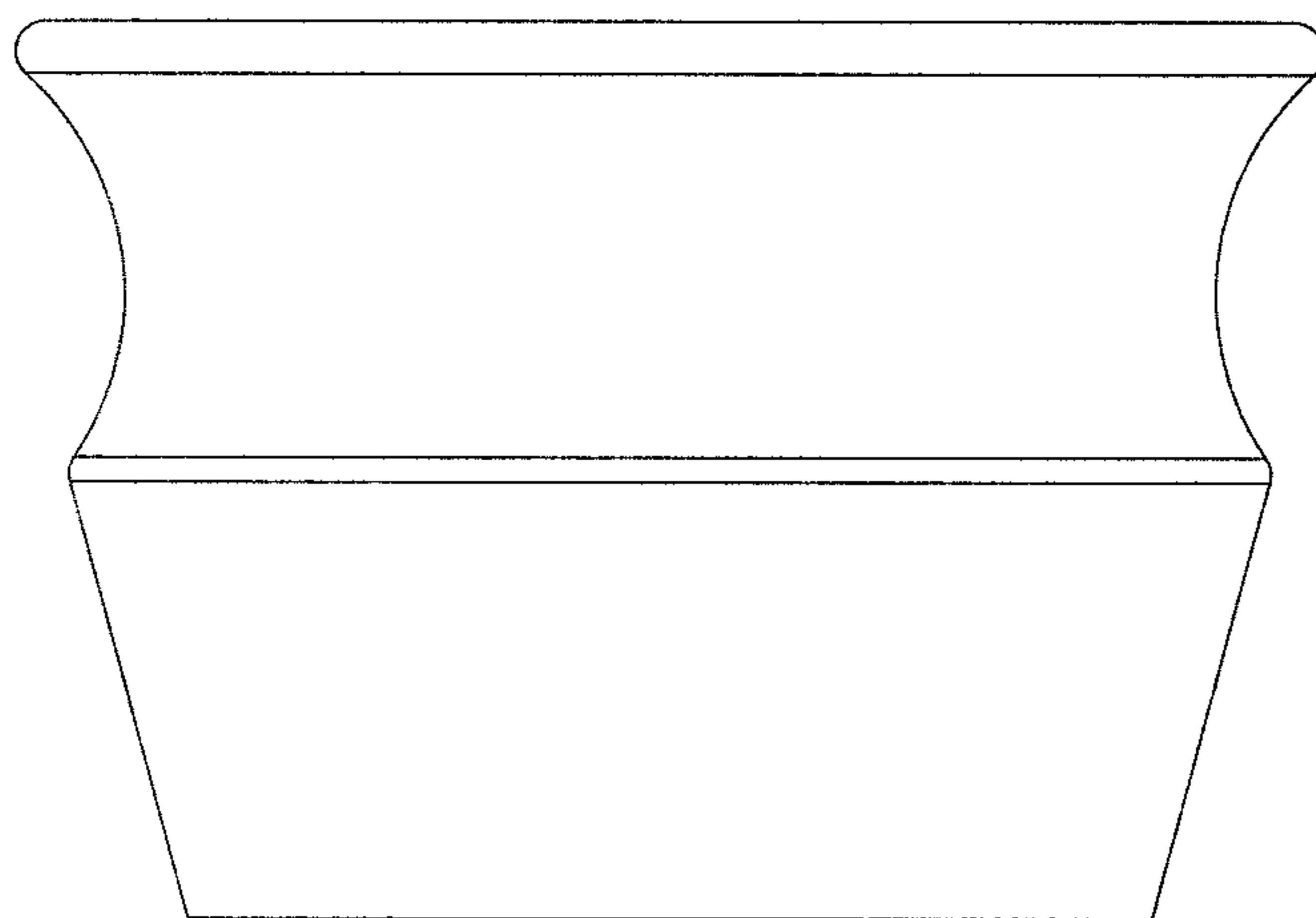


Figure 4

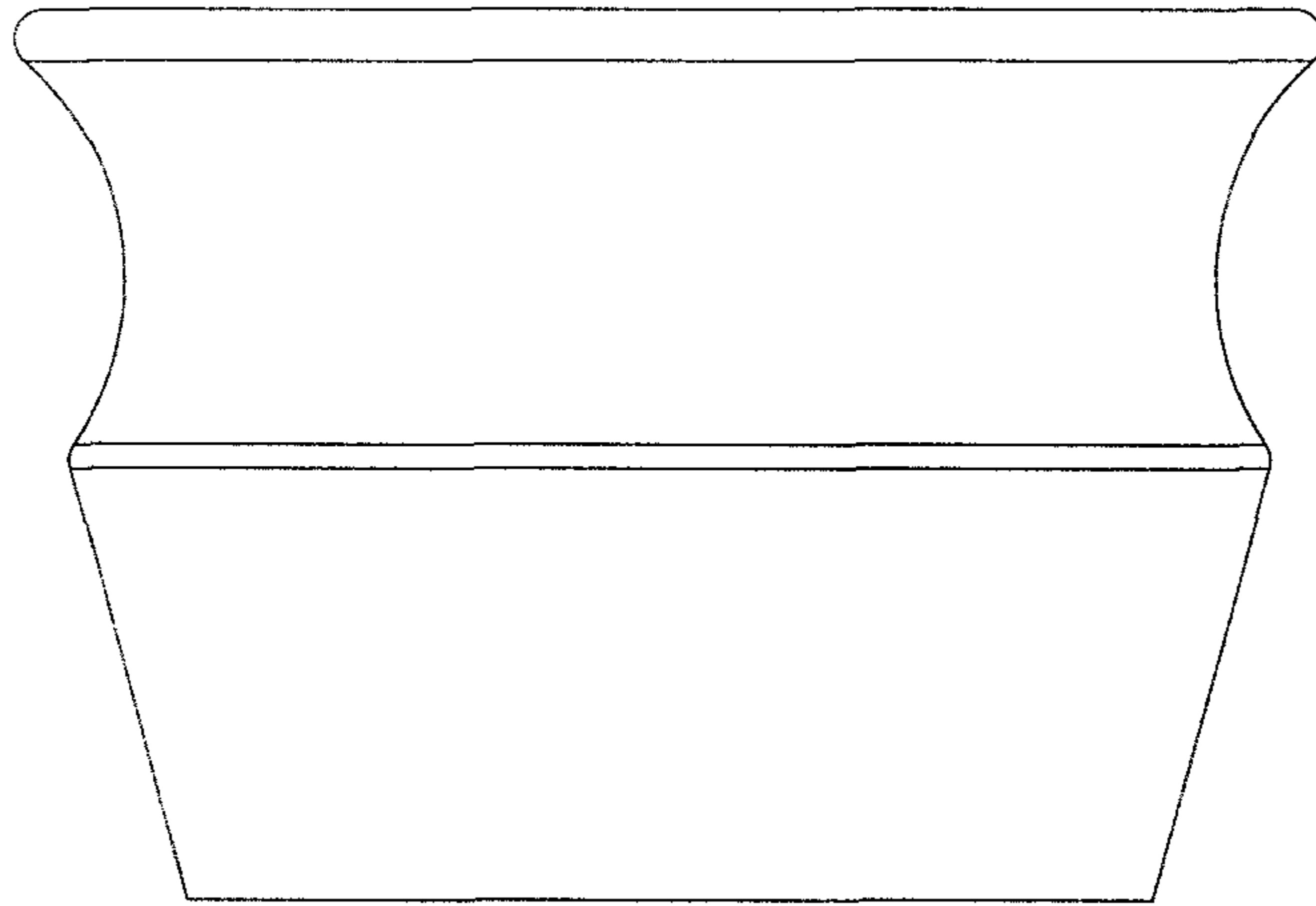


Figure 5

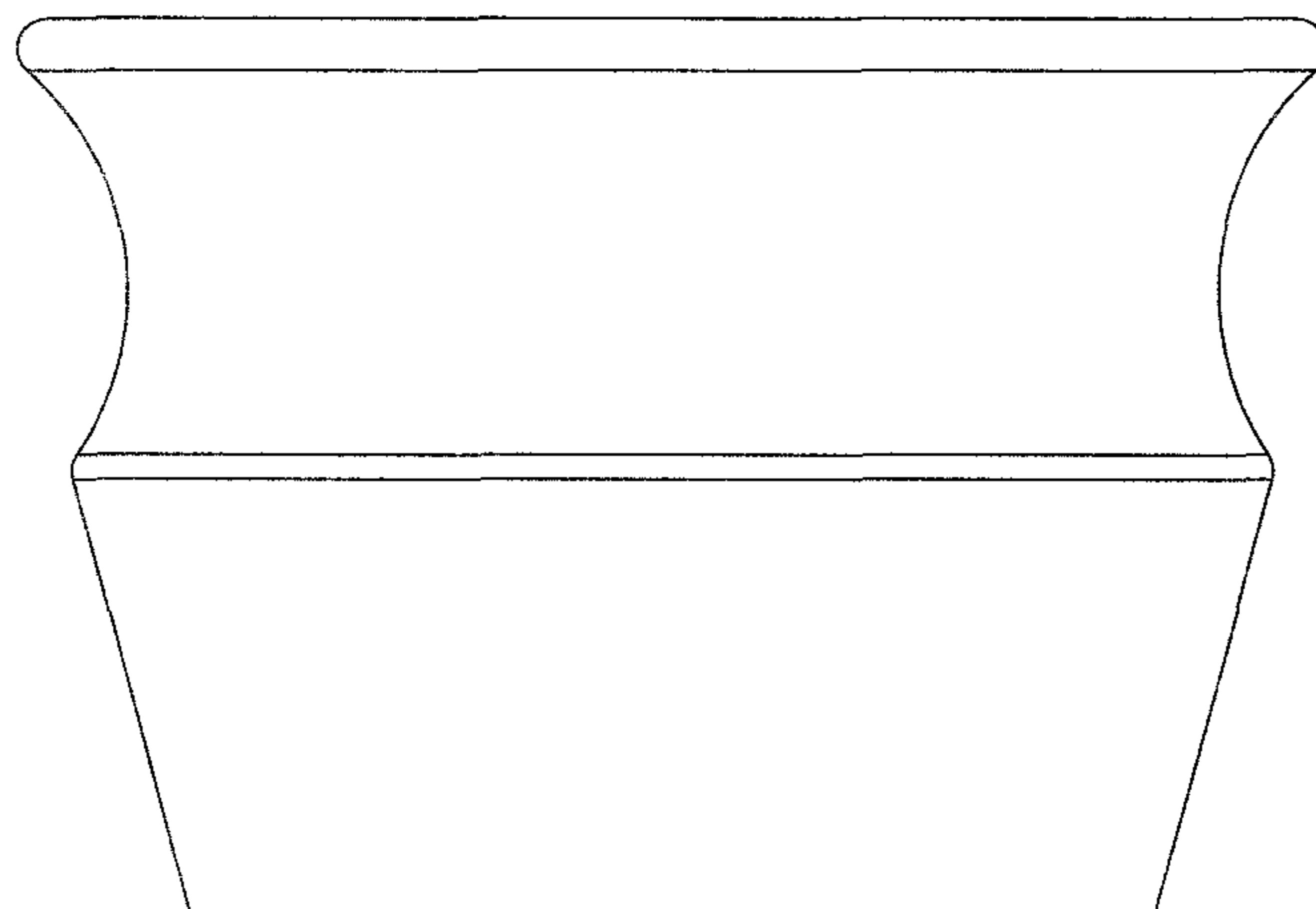


Figure 6

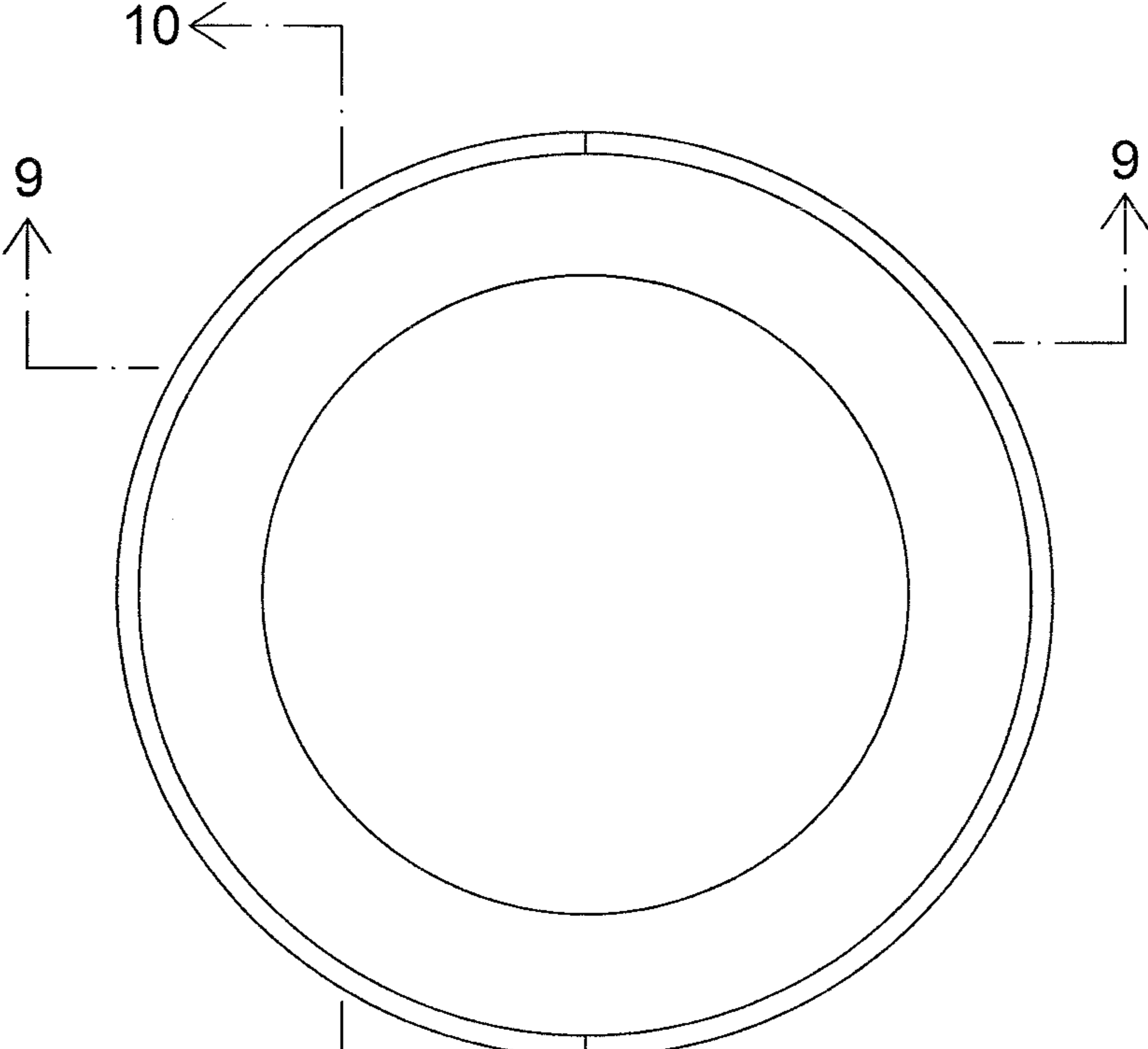


Figure 7

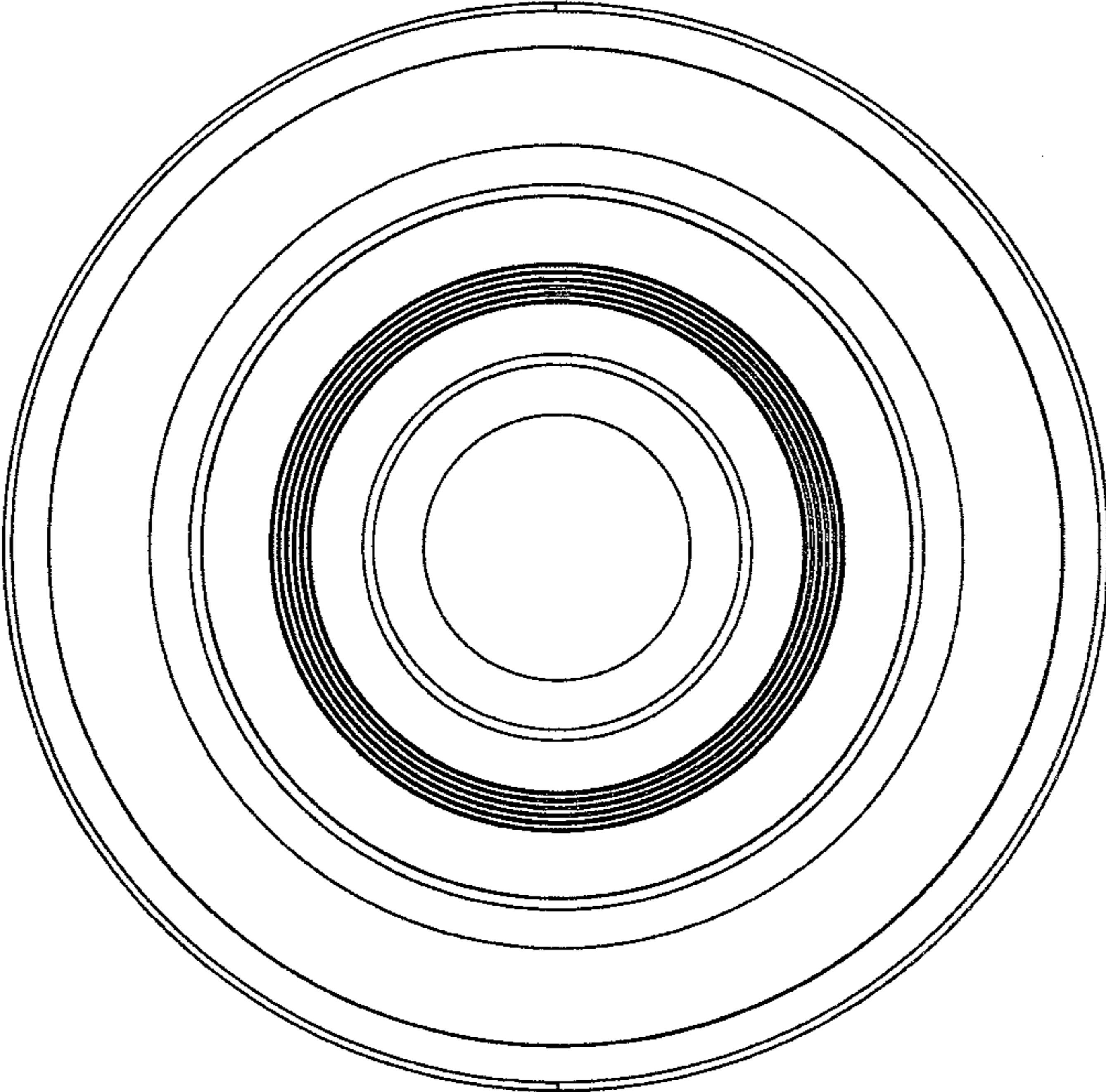


Figure 8

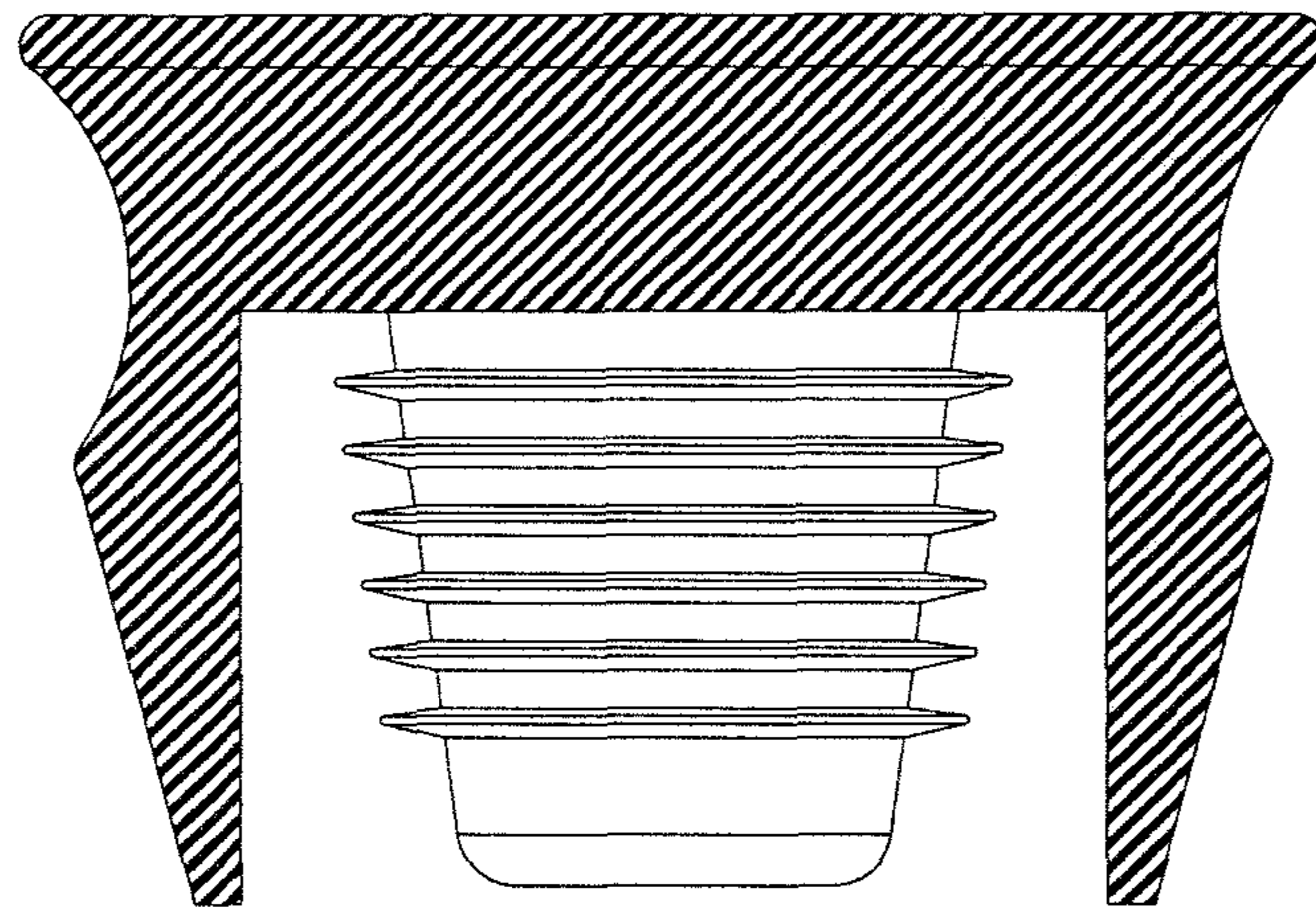


Figure 9

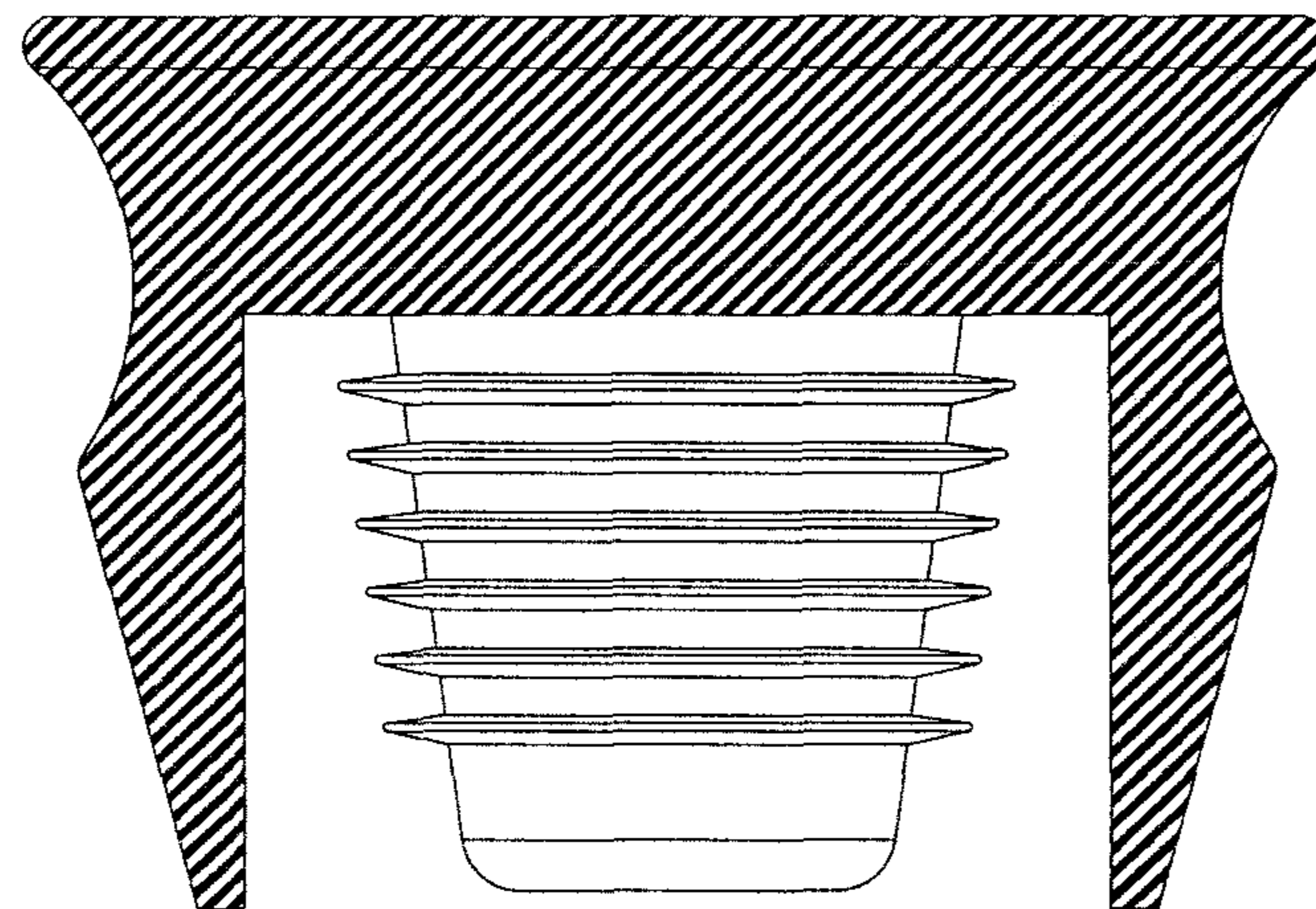


Figure 10