



US00D682096S

(12) **United States Design Patent**
Marconi, Jr.

(10) **Patent No.:** **US D682,096 S**

(45) **Date of Patent:** **** May 14, 2013**

(54) **SPREADER CAP**

(75) **Inventor:** **Fred A. Marconi, Jr.**, Erieville, NY (US)

(73) **Assignee:** **Lebanon Seaboard Corporation**, Lebanon, PA (US)

(**) **Term:** **14 Years**

(21) **Appl. No.:** **29/394,932**

(22) **Filed:** **Jun. 23, 2011**

(51) **LOC (9) Cl.** **09-07**

(52) **U.S. Cl.**
USPC **D9/436**; D9/453; D9/441

(58) **Field of Classification Search** D9/667,
D9/454, 453, 452, 450, 449, 445, 443, 441,
D9/435; D23/253, 250; 220/270-276; 215/228,
215/217-223, 209

See application file for complete search history.

(56) **References Cited**

U.S. PATENT DOCUMENTS

1,074,015	A	*	9/1913	Reap et al.	215/235
D481,948	S	*	11/2003	Brozell et al.	D9/453
D531,035	S	*	10/2006	Pugne	D9/453
D533,781	S	*	12/2006	Freisem et al.	D9/453

D631,347	S	*	1/2011	Rudolph et al.	D9/446
D634,198	S	*	3/2011	Groubert et al.	D9/449
D636,264	S	*	4/2011	Wassum et al.	D9/453
2010/0140266	A1	*	6/2010	Lohrman et al.	220/254.3

* cited by examiner

Primary Examiner — Susan Bennett Hattan

(74) *Attorney, Agent, or Firm* — Woodard, Emhardt, Moriarty, McNett & Henry LLP

(57) **CLAIM**

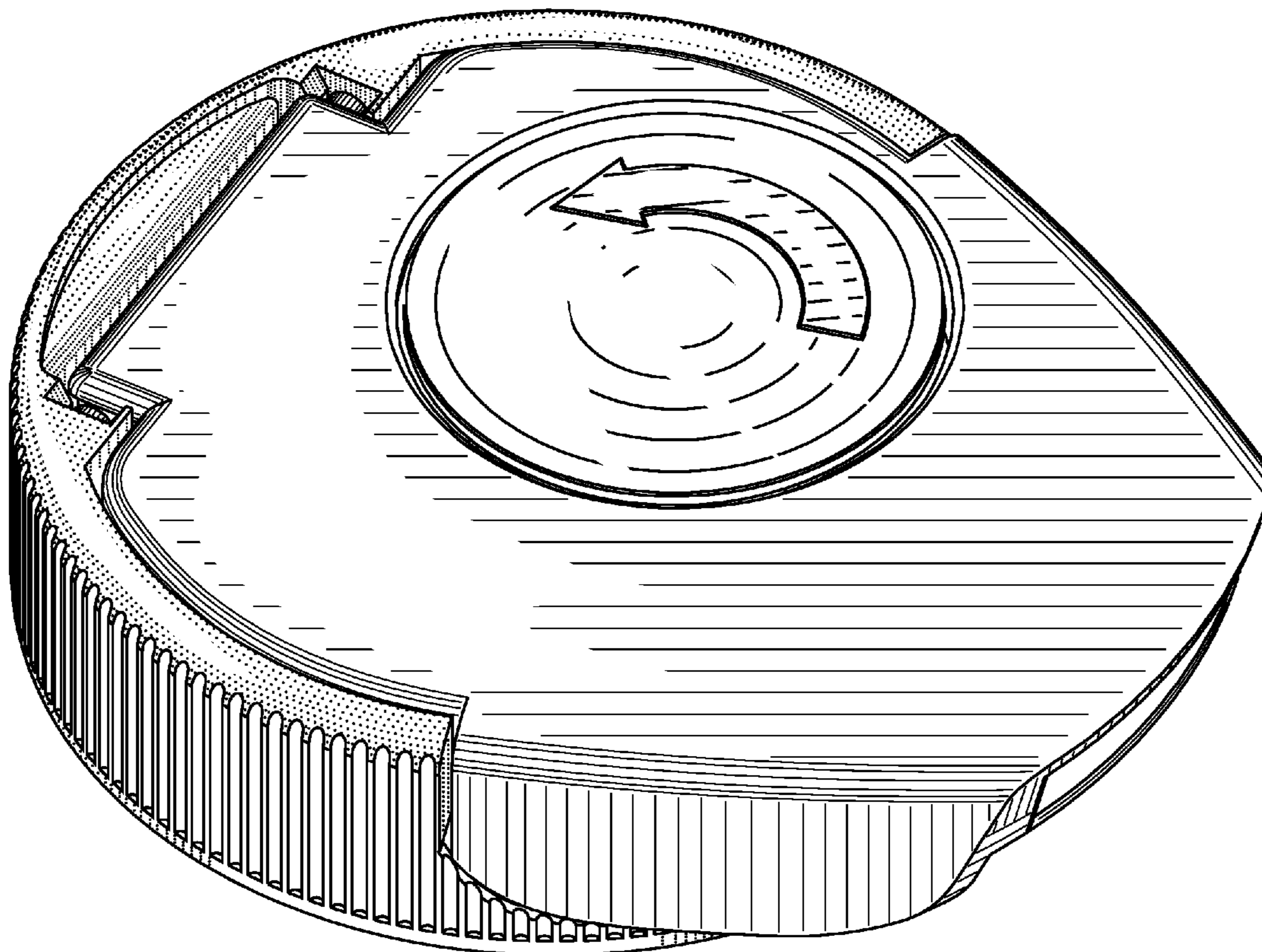
I claim the ornamental design for a spreader cap, as shown.

DESCRIPTION

FIG. 1 is a perspective view of a spreader cap, showing my new design;
FIG. 2 is a front elevational view thereof;
FIG. 3 is a rear elevational view thereof;
FIG. 4 is a right side elevational view thereof, and the left side is a mirror image of the right side;
FIG. 5 is a top plan view thereof; and,
FIG. 6 is a bottom plan view thereof.

The broken lines contained in FIG. 6 show the attachment points for component parts of the spreader cap and non-ornamental features of the underside of the cap, are included for the purpose of illustrating environmental structure, and form no part of the claimed design.

1 Claim, 6 Drawing Sheets



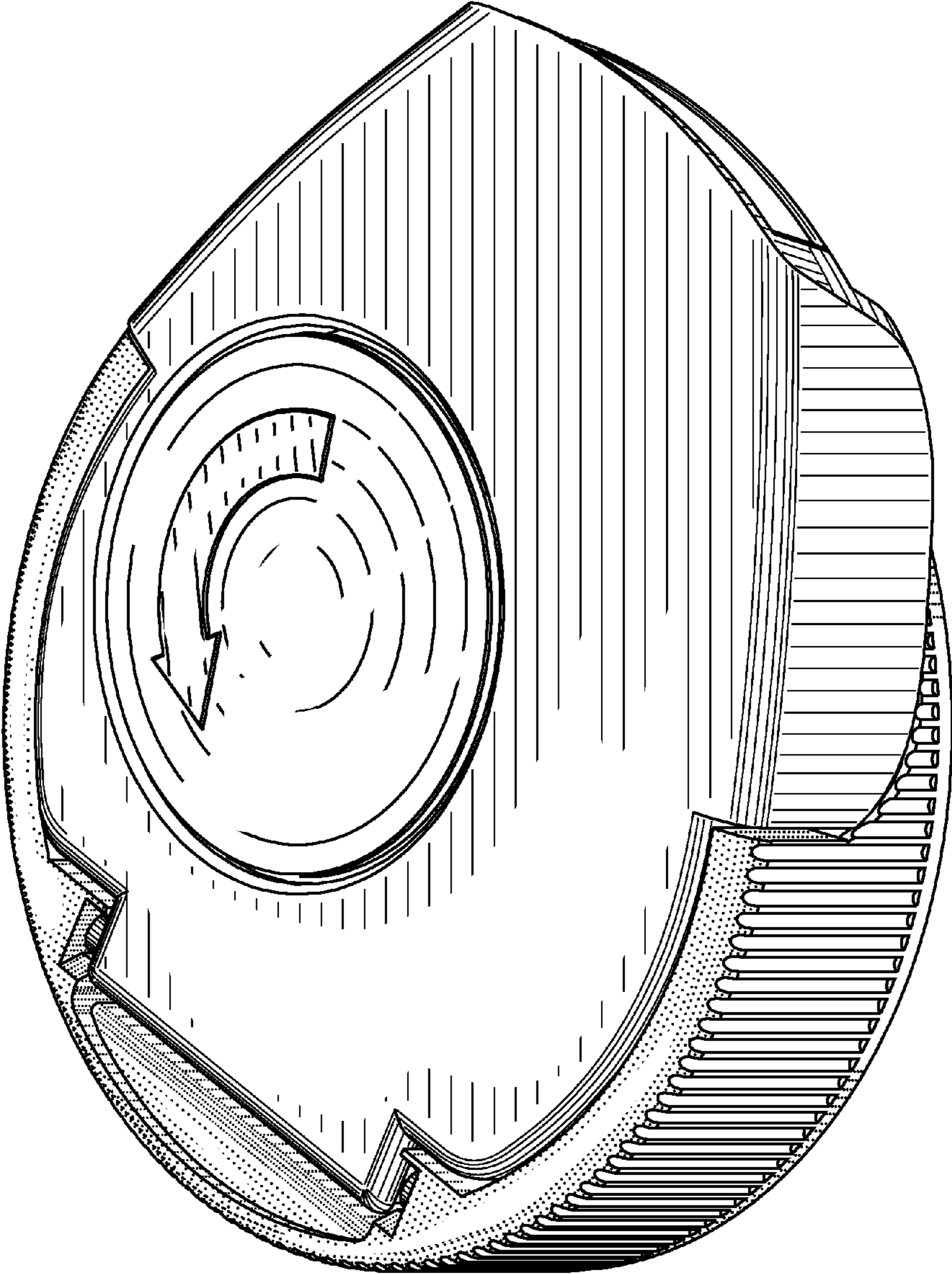


Fig. 1

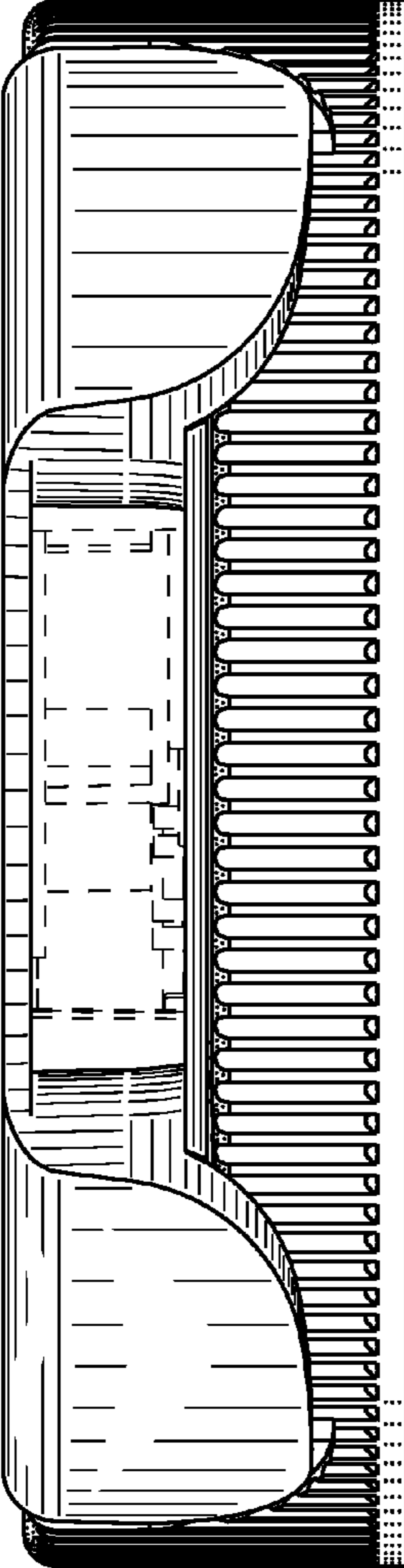


Fig. 2

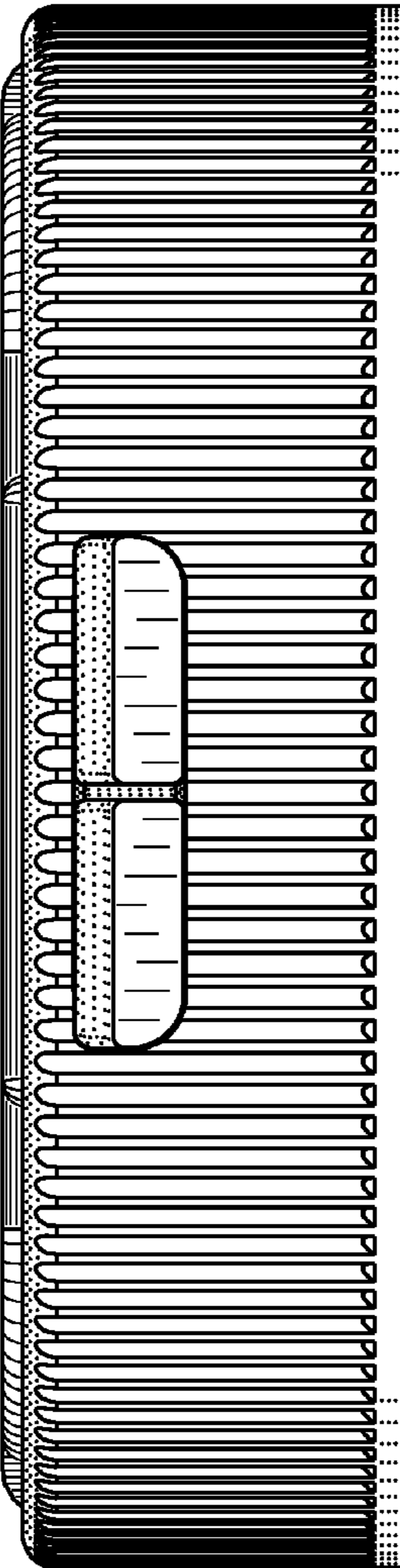


Fig. 3

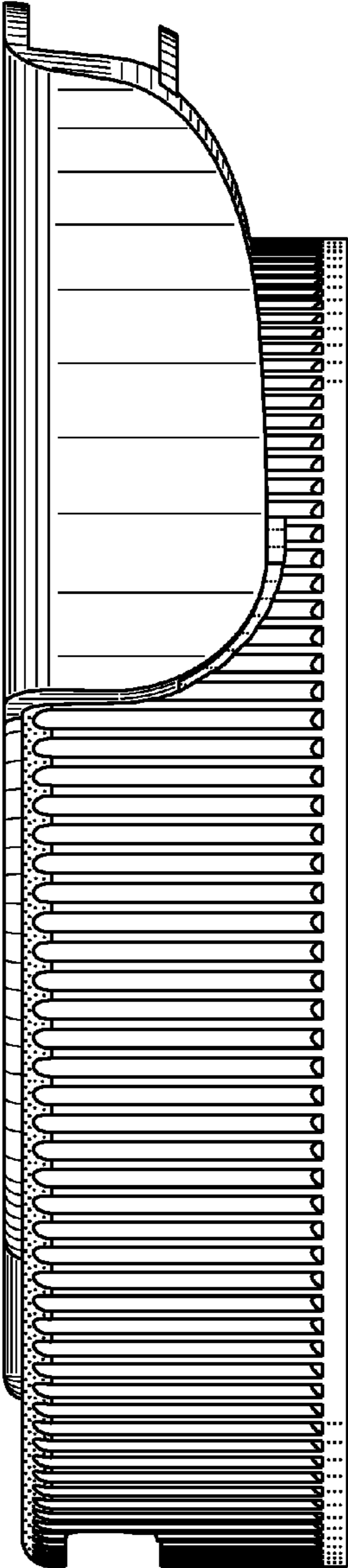


Fig. 4

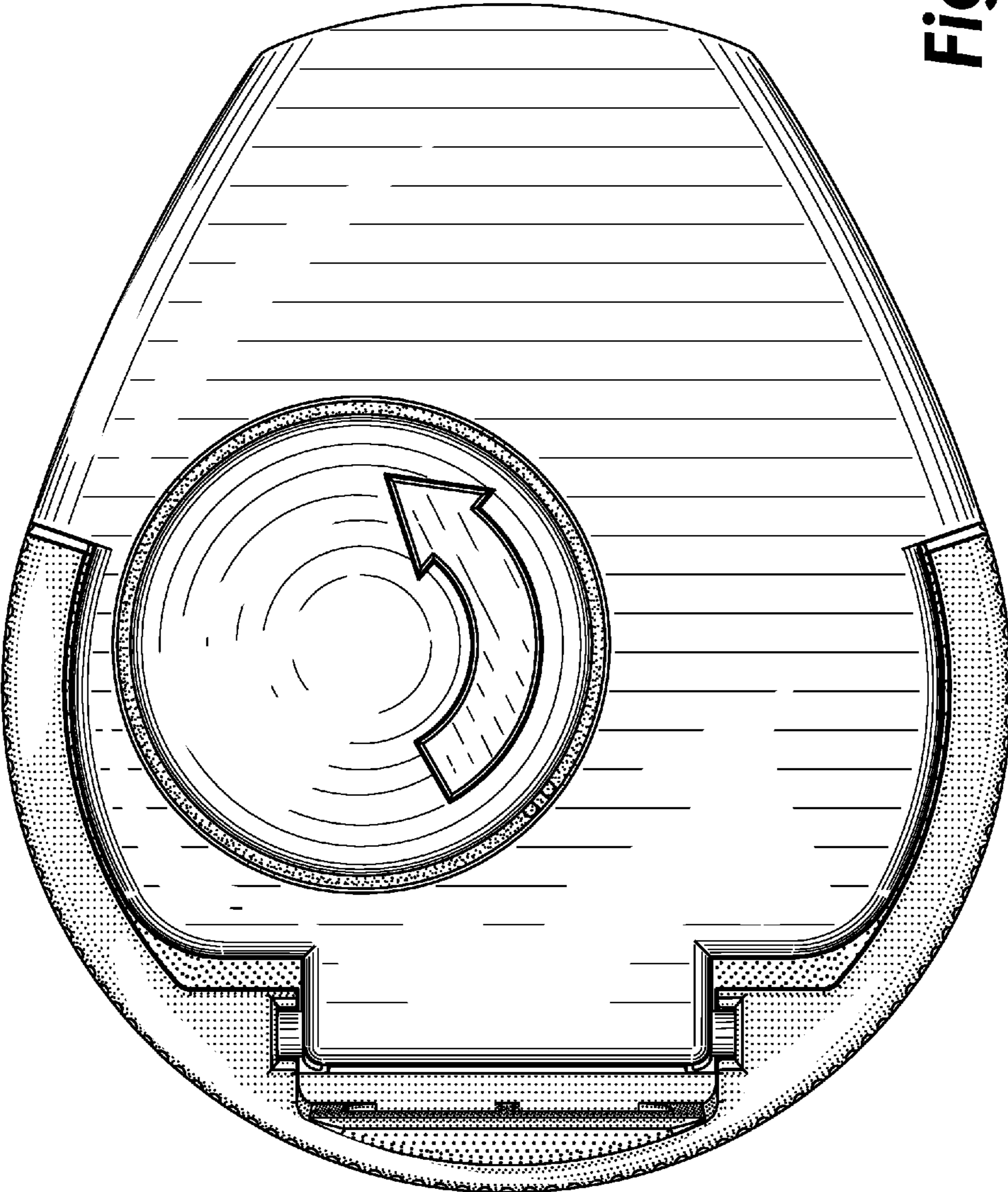


Fig. 5

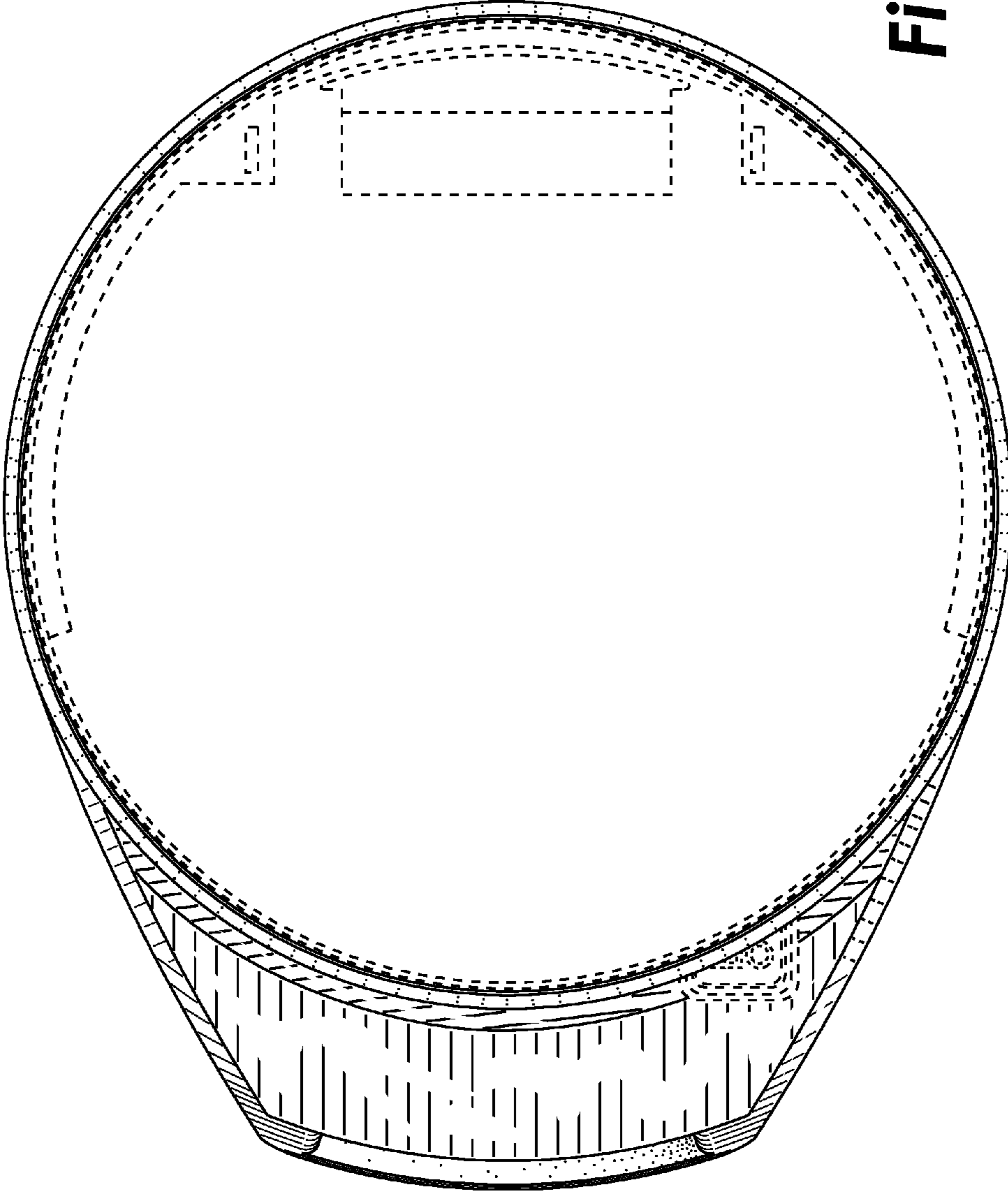


Fig. 6