



US00D682094S

(12) **United States Design Patent**
Lester, III et al.

(10) **Patent No.:** **US D682,094 S**

(45) **Date of Patent:** **** May 14, 2013**

(54) **SPARKLER FASTENER FOR BOTTLES**

D631,332 S * 1/2011 Bauer et al. D8/367
D631,333 S * 1/2011 Bauer et al. D8/367
D663,735 S * 7/2012 Musselman D14/447

(76) Inventors: **William Lester, III**, Miami, FL (US);
Andrew Steven Lester, Miami, FL (US)

* cited by examiner

(**) Term: **14 Years**

Primary Examiner — Raphael Barkai

Assistant Examiner — Randall Gholson

(21) Appl. No.: **29/398,212**

(74) *Attorney, Agent, or Firm* — Mark Terry

(22) Filed: **Jul. 27, 2011**

(51) **LOC (9) Cl.** **09-07**

(57) **CLAIM**

The ornamental design for a sparkler fastener for bottles, as shown and described.

(52) **U.S. Cl.**

USPC **D9/434**

(58) **Field of Classification Search** D8/356,

D8/354, 349, 359, 358, 367, 372, 373, 370;
174/135; 248/89, 75, 215, 339, 489; 385/135,
385/134, 60, 62; 52/220.1, 74.1; D13/156;
D19/34; 16/87.2, 87.8; D6/313, 500, 323;
D20/43; D9/434

See application file for complete search history.

DESCRIPTION

FIG. 1 is a perspective view of the sparkler fastener for bottles, showing the new design in relation to a sparkler and a bottle neck;

FIG. 2 is a frontal view thereof.

FIG. 3 is a top view thereof;

FIG. 4 is a bottom view thereof;

FIG. 5 is a left-side view thereof; and,

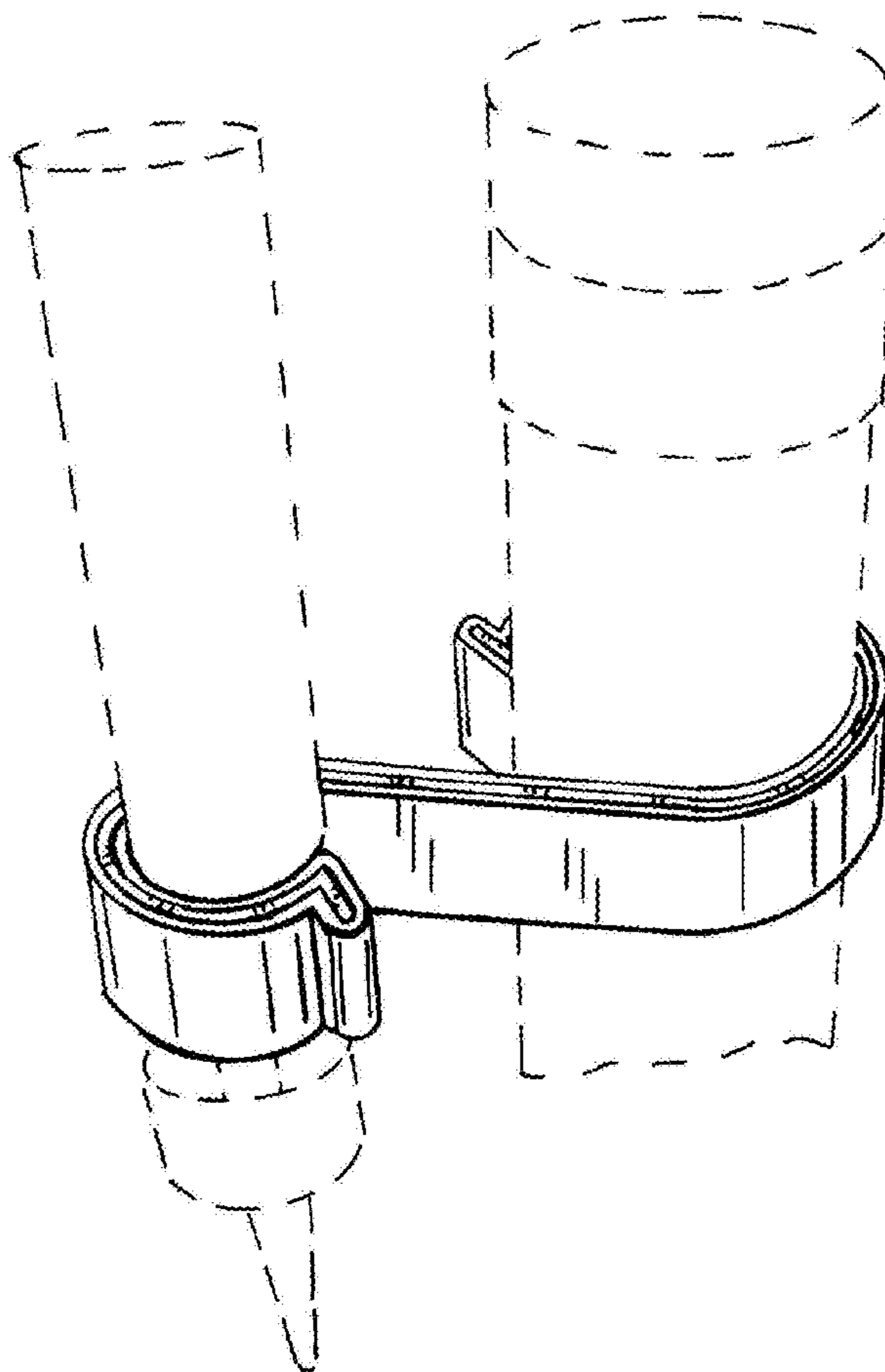
FIG. 6 is a right-side view thereof.

(56) **References Cited**

U.S. PATENT DOCUMENTS

D616,431 S * 5/2010 Hijmans D14/253
D618,692 S * 6/2010 Deutsch et al. D14/447

1 Claim, 4 Drawing Sheets



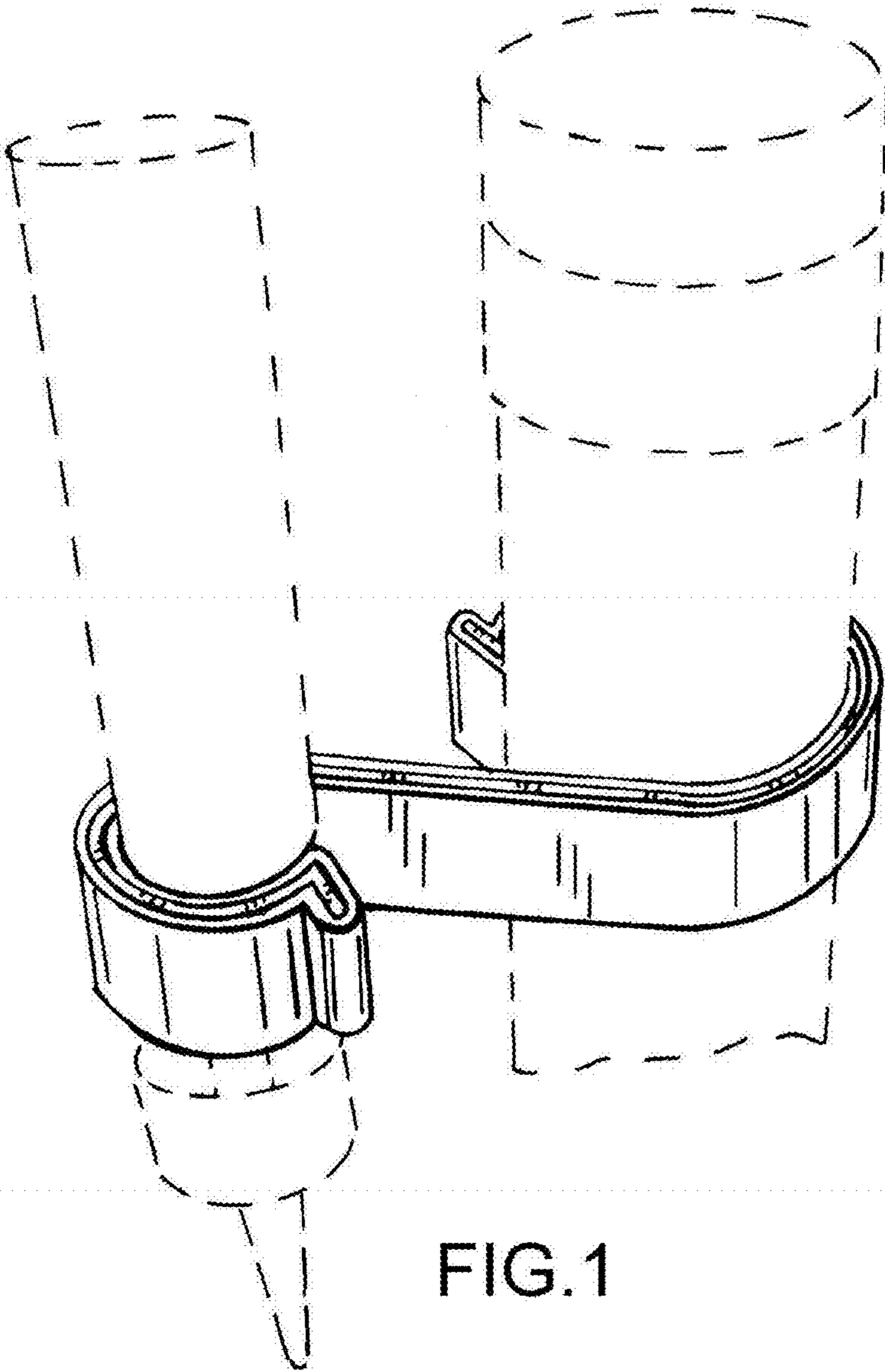


FIG.1

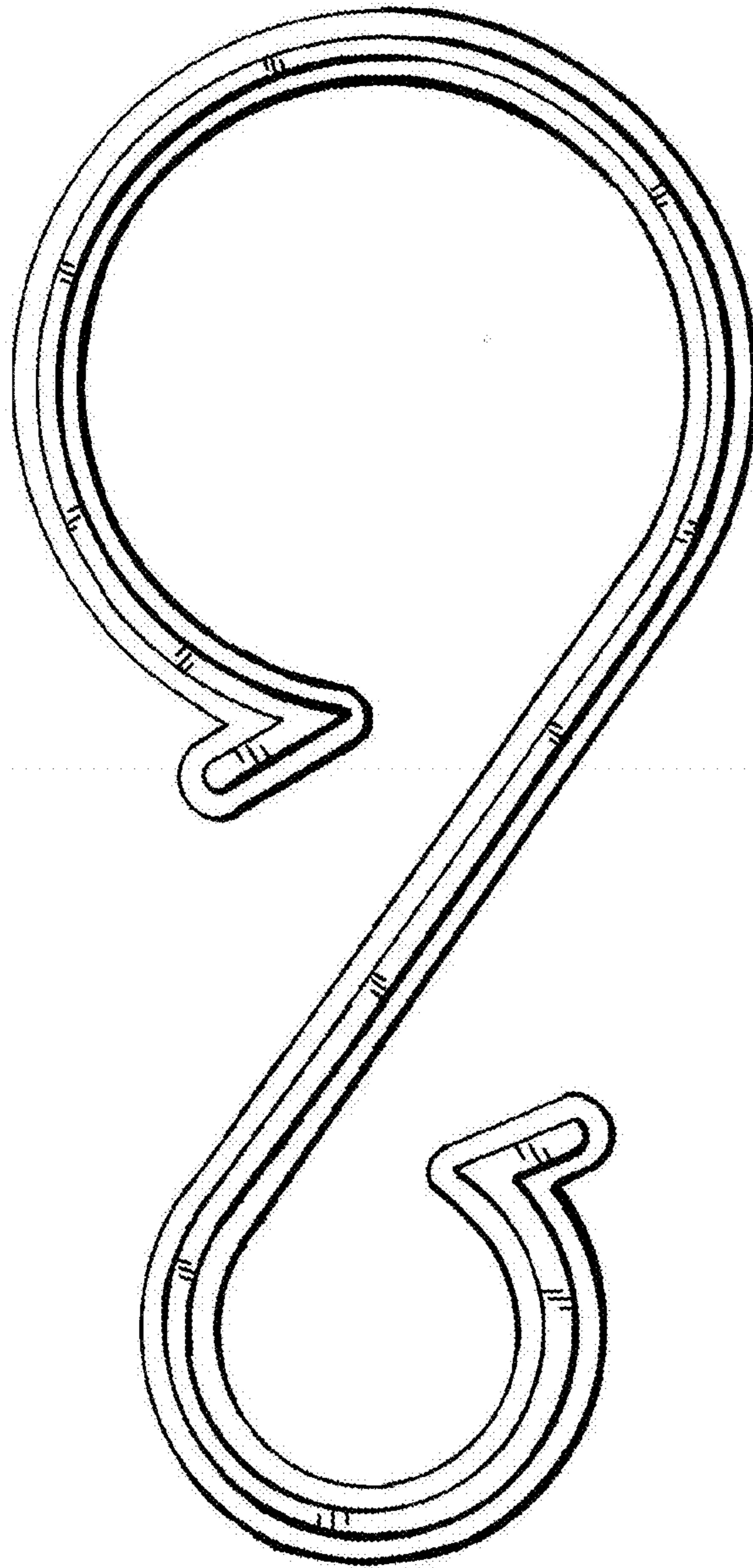


FIG.2

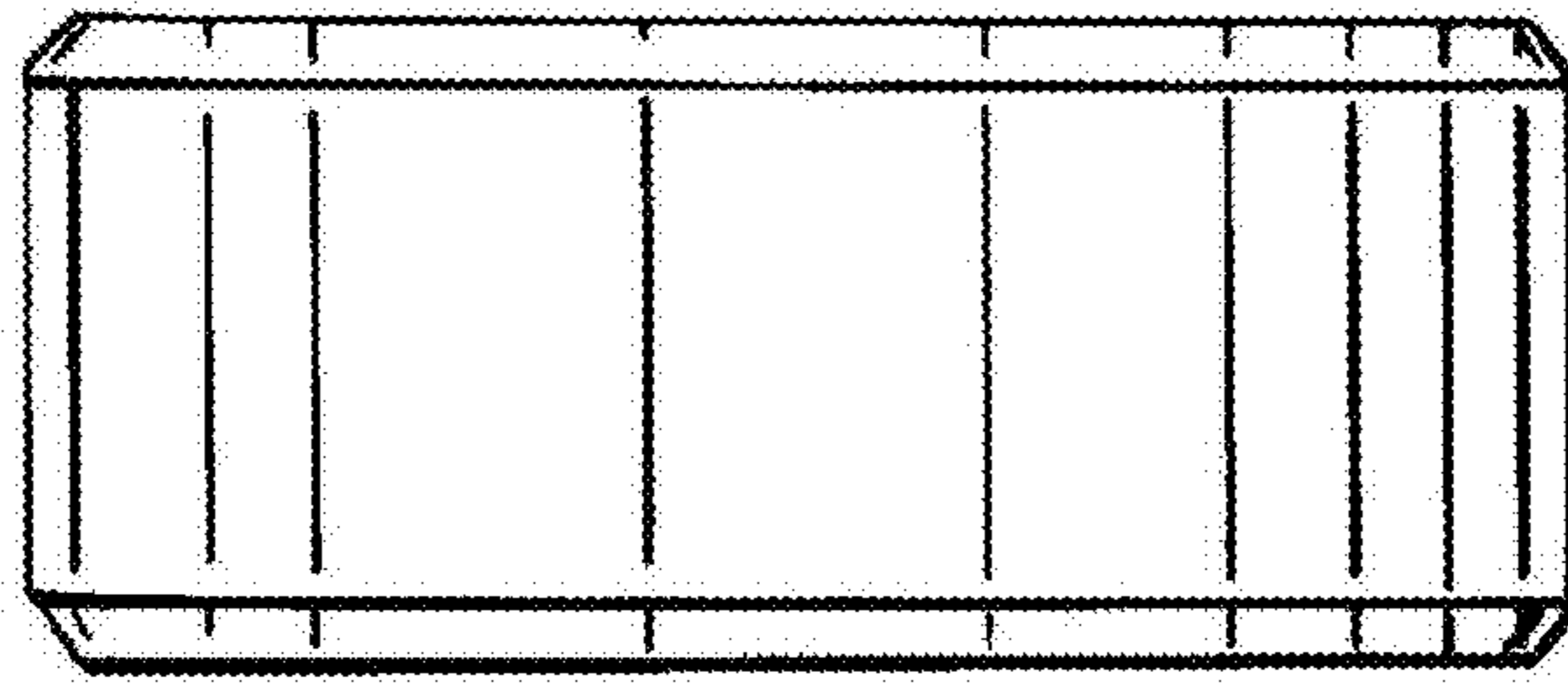


FIG. 3

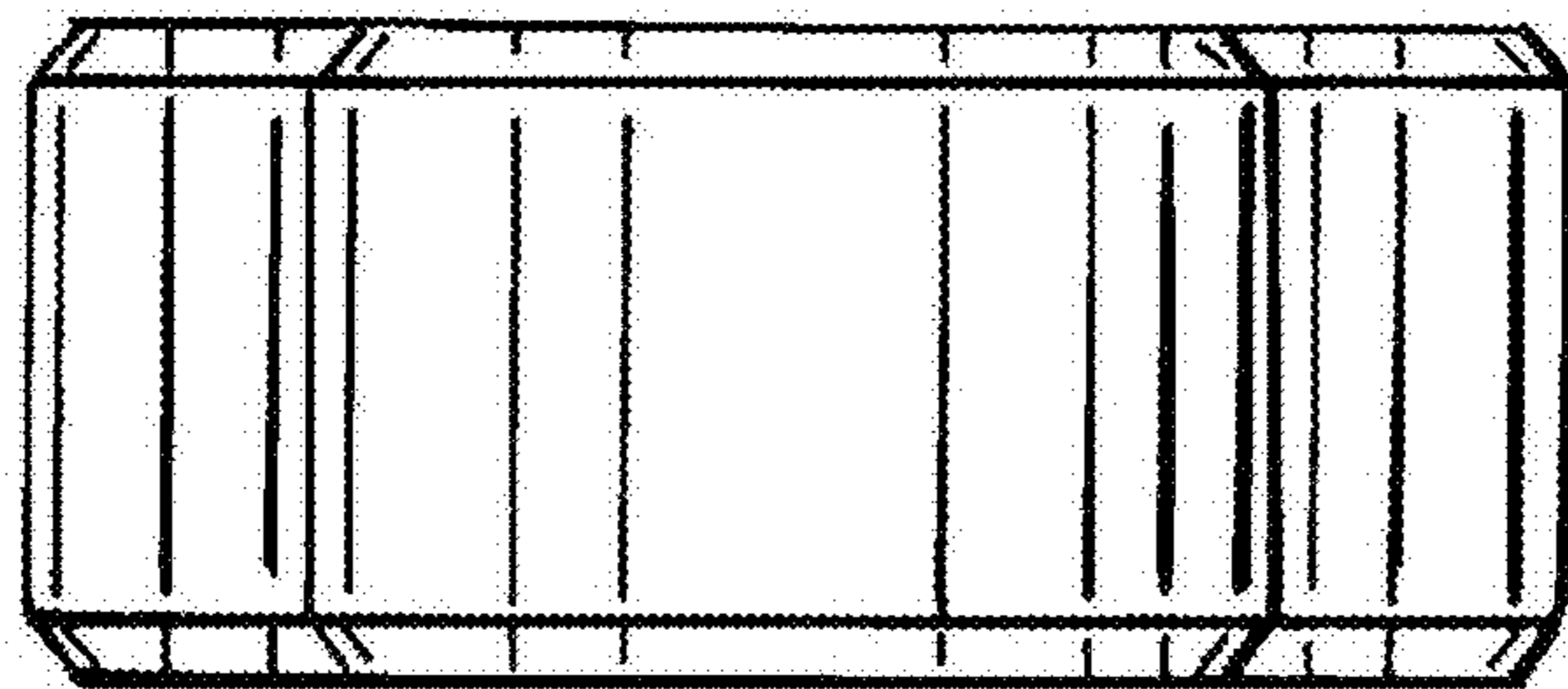


FIG. 4

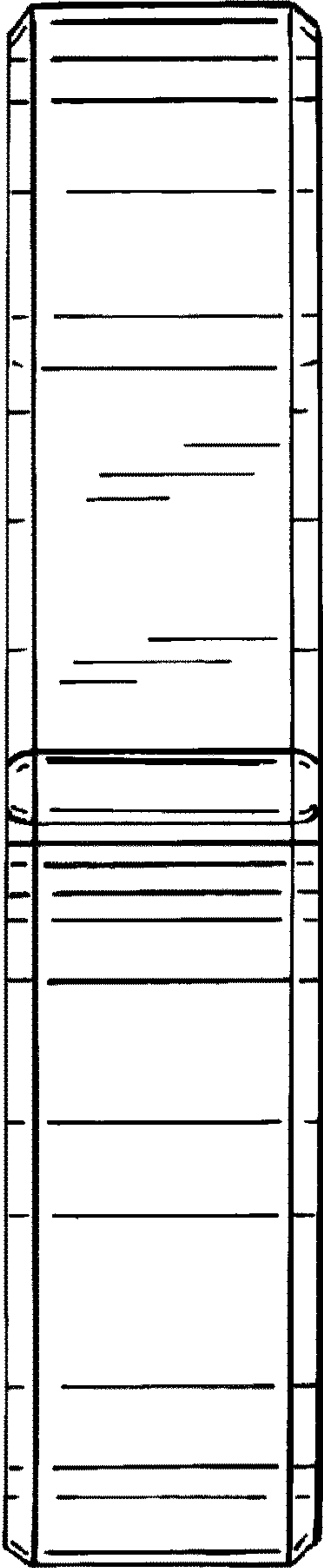


FIG. 5

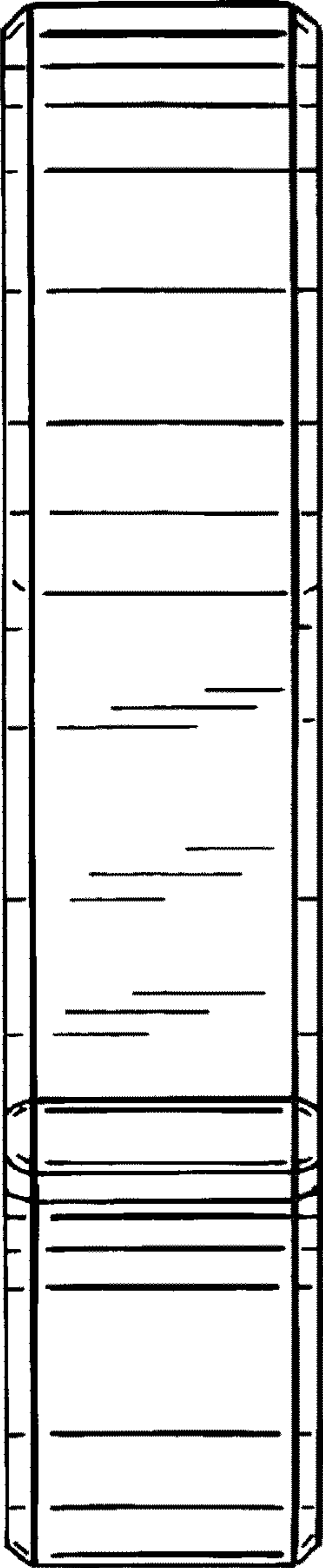


FIG. 6