



US00D682092S

(12) **United States Design Patent**
Stephens et al.

(10) **Patent No.:** **US D682,092 S**

(45) **Date of Patent:** **** *May 14, 2013**

- (54) **FOLDABLE NAPKIN HOLDER**
- (75) Inventors: **Jerry Ray Stephens**, Hamilton, OH (US); **Phillip Laco Hutchison**, West Chester, OH (US)
- (73) Assignee: **The Procter & Gamble Company**, Cincinnati, OH (US)
- (*) Notice: This patent is subject to a terminal disclaimer.
- (**) Term: **14 Years**

D255,011	S *	5/1980	Cooper et al.	D9/433
D258,049	S *	1/1981	Bamburg et al.	D9/432
4,266,714	A	5/1981	Crane		
D262,359	S *	12/1981	Roccaforte	D9/433
5,277,360	A	1/1994	DeMott		
5,718,337	A	2/1998	Carr et al.		
D460,666	S	7/2002	Michaeli		
6,464,131	B1	10/2002	Blazevich		
D469,692	S	2/2003	Meeker et al.		
6,938,820	B2	9/2005	Noone et al.		
D518,370	S	4/2006	Vanhoutte		
D587,998	S *	3/2009	Kaisanlahti et al.	D9/433
D588,877	S	3/2009	DiNovo		
D631,741	S *	2/2011	Hubbard et al.	D9/433
D650,666	S *	12/2011	Daley et al.	D9/433
2006/0186184	A1	8/2006	Jourdain		

- (21) Appl. No.: **29/387,320**
- (22) Filed: **Mar. 11, 2011**
- (51) **LOC (9) Cl.** **09-03**
- (52) **U.S. Cl.**
USPC **D9/433**
- (58) **Field of Classification Search** D9/430-433,
D9/414, 420, 499; 206/1.5, 223, 527, 784;
229/100, 124, 126, 800, 125.37, 62, 890,
229/846, 837
See application file for complete search history.

(56) **References Cited**

U.S. PATENT DOCUMENTS

781,766	A	2/1905	Cawthray		
879,865	A	2/1908	Godfrey		
1,720,146	A	7/1929	Reese		
1,906,622	A	5/1933	Kondolf		
1,960,635	A	5/1934	Kinkenon		
2,160,183	A	5/1939	Weltmer		
2,242,741	A	5/1941	Betts et al.		
2,961,143	A	11/1960	Forrer		
2,988,259	A	6/1961	Callinicos		
3,171,347	A	3/1965	Elrod		
D234,396	S *	2/1975	Killy	D9/433
D253,993	S *	1/1980	Roccaforte	D9/433
D254,721	S *	4/1980	Roccaforte	D9/433

OTHER PUBLICATIONS

U.S. Appl. No. 12/894,411, filed Sep. 30, 2010, Stephens, et al.

(Continued)

Primary Examiner — Susan Bennett Hattan

Assistant Examiner — Vy Koenig

(74) *Attorney, Agent, or Firm* — Wednesday G. Shipp;
Roddy M. Bullock

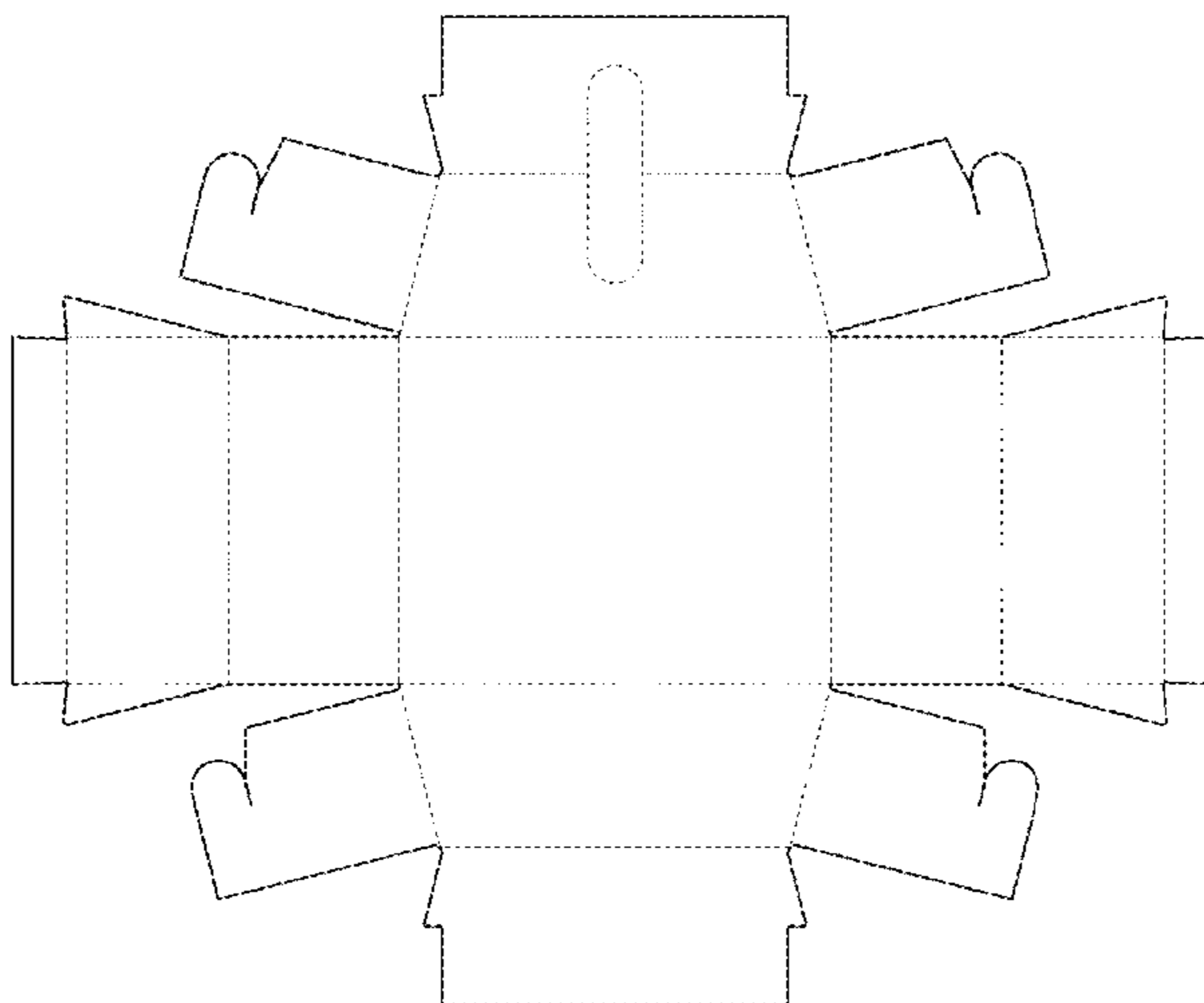
(57) **CLAIM**

The ornamental design for a foldable napkin holder, as shown and described.

DESCRIPTION

FIG. 1 is a top plan of a foldable napkin holder showing our new ornamental design;
FIG. 2 is a front elevation view of a foldable napkin holder showing our new ornamental design; and,
FIG. 3 is side elevation view of a foldable napkin holder showing our new ornamental design.
The broken lines in the Figures depict environmental features and form no part of the claimed design.

1 Claim, 2 Drawing Sheets



US D682,092 S

Page 2

OTHER PUBLICATIONS

The Stationery Studio.com Website, Images, http://www.thestationerystudio.com/index.cfm/fuseaction/catalog.listProducts/catId/2498/All_Holders.html, Nov. 19, 2010.

U.S. Appl. No. 29/387,318, filed Mar. 11, 2011, Stephens, et al.
All Office Actions in U.S. Appl. Nos. 12/894,411 (P&G Case 11882)
and 29/387,320 (P&G Case D-1892).

* cited by examiner

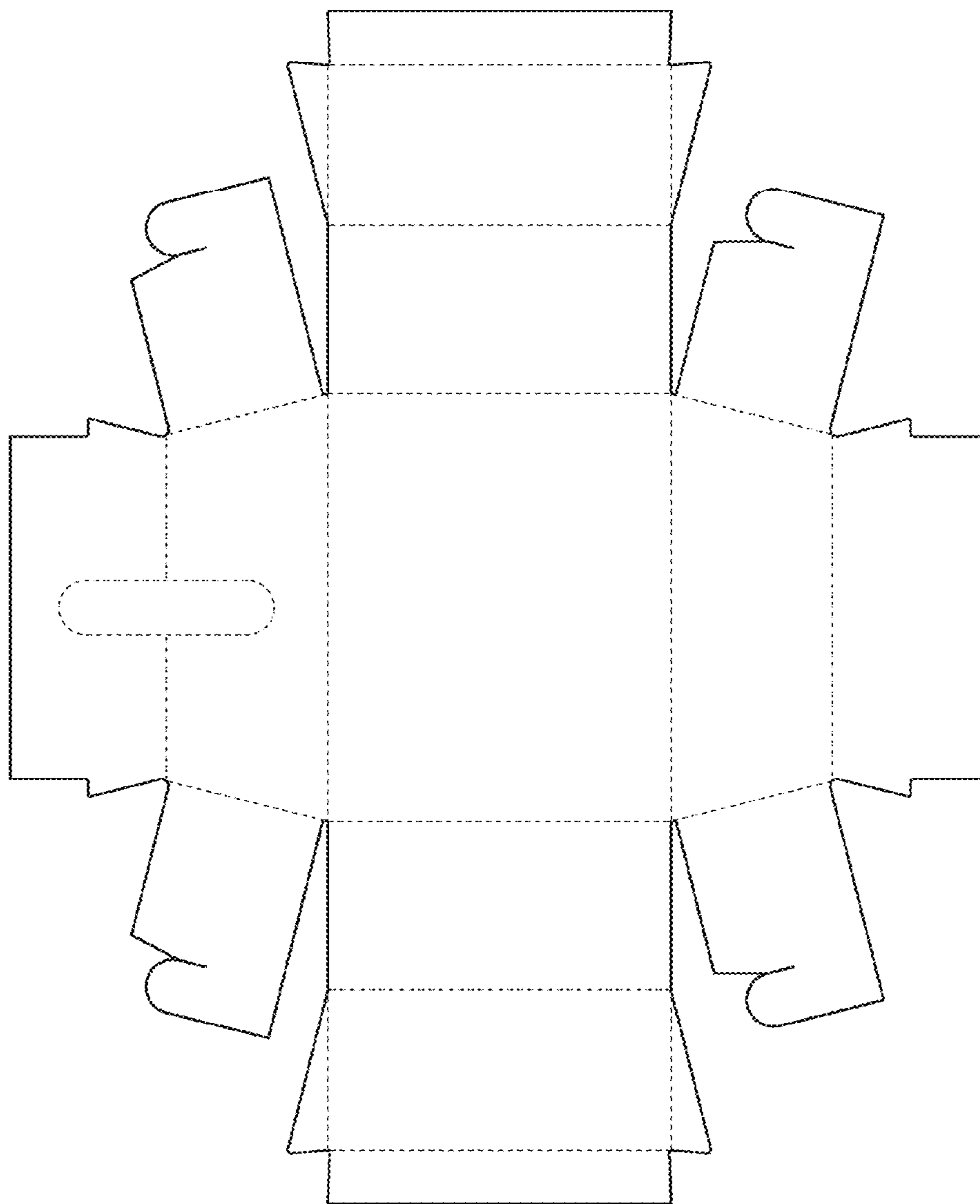


Fig. 1



Fig. 2



Fig. 3