



US00D682091S

(12) **United States Design Patent**  
**Stephens et al.**

(10) **Patent No.:** **US D682,091 S**  
(45) **Date of Patent:** **\*\* May 14, 2013**

- (54) **NAPKIN HOLDER**
- (75) Inventors: **Jerry Ray Stephens**, Hamilton, OH (US); **Phillip Laco Hutchison**, West Chester, OH (US)
- (73) Assignee: **The Procter & Gamble Company**, Cincinnati, OH (US)
- (\*\*) Term: **14 Years**
- (21) Appl. No.: **29/387,318**
- (22) Filed: **Mar. 11, 2011**
- (51) **LOC (9) Cl.** ..... **09-03**
- (52) **U.S. Cl.**  
USPC ..... **D9/431; D7/631**
- (58) **Field of Classification Search** ..... D9/414, D9/416, 418, 420-424, 430-433, 734; D3/272; 206/267, 269, 270, 273, 299, 421, 454, 457, 206/737, 740, 822, 775-778, 784; 229/100, 229/101, 101.3, 106, 108-122, 114-117, 229/117.05-117.09, 117.24, 117.26, 221, 229/222, 227, 902, 939, 941, 942; D7/631  
See application file for complete search history.

- D258,049 S 1/1981 Bamberg et al.
- 4,266,714 A 5/1981 Crane
- D262,359 S 12/1981 Roccaforte
- 5,277,360 A \* 1/1994 DeMott ..... 229/122
- 5,718,337 A \* 2/1998 Carr et al. .... 206/554
- D460,666 S \* 7/2002 Michaeli ..... D7/631

(Continued)

**OTHER PUBLICATIONS**

U.S. Appl. No. 12/894,411, filed Sep. 30, 2010, Stephens, et al.

(Continued)

*Primary Examiner* — Susan Bennett Hattan

*Assistant Examiner* — Vy Koenig

(74) *Attorney, Agent, or Firm* — Roddy Bullock; Wednesday Shipp

(57) **CLAIM**

The ornamental design for a napkin holder, as shown and described.

**DESCRIPTION**

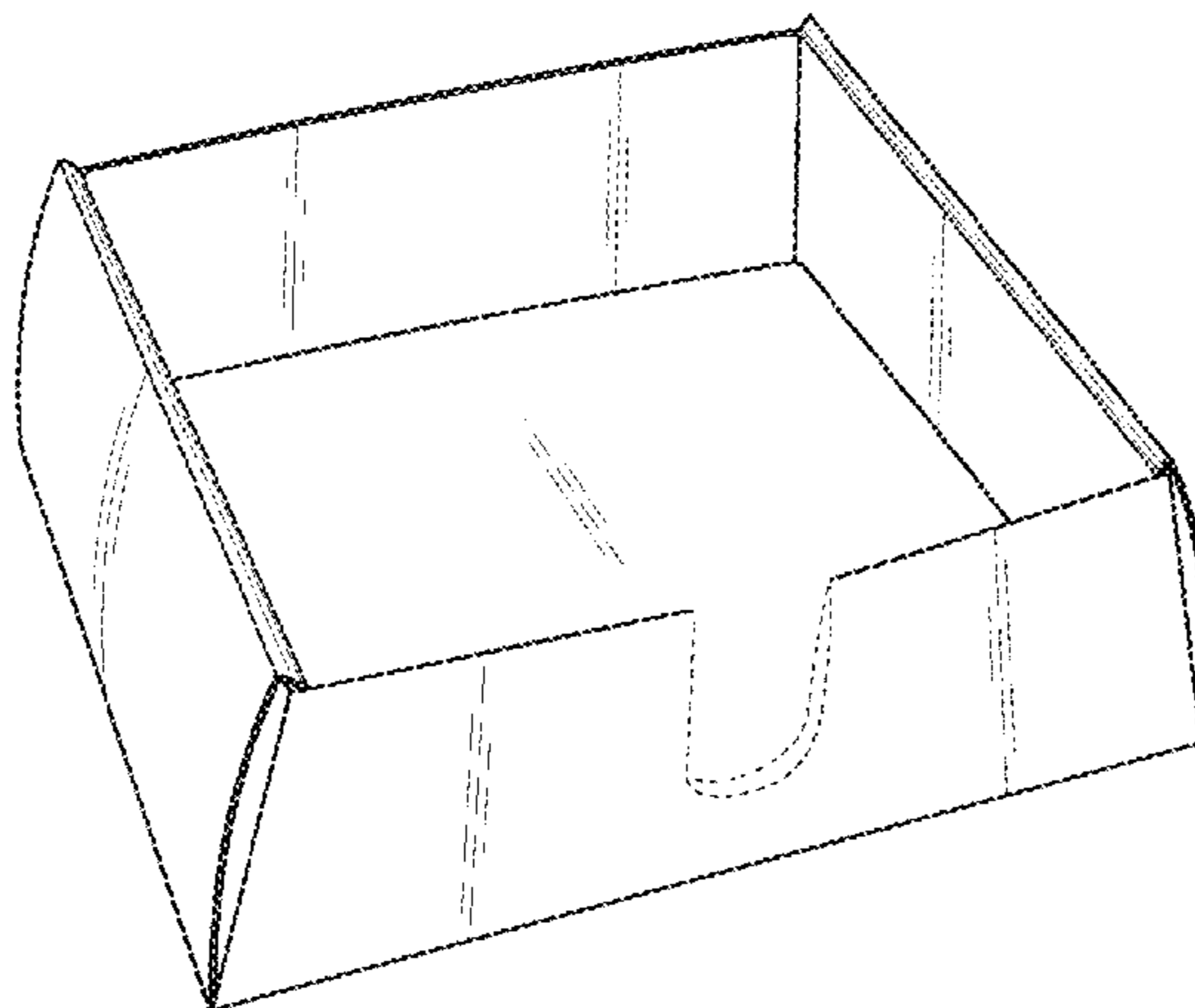
FIG. 1 is a perspective view of a napkin box showing our new ornamental design;  
 FIG. 2 is a top plan view of a napkin box showing our new ornamental design;  
 FIG. 3 is a bottom view of a napkin box showing our new ornamental design;  
 FIG. 4 is a front elevation view of a napkin box showing our new ornamental design;  
 FIG. 5 is a back elevation view of a napkin box showing our new ornamental design;  
 FIG. 6 is a right side elevation view of a napkin box showing our new ornamental design; and,  
 FIG. 7 is a left side elevation view of a napkin box showing our new ornamental design.  
 The broken lines in the Figures from no part of the claimed design.

**1 Claim, 3 Drawing Sheets**

(56) **References Cited**

**U.S. PATENT DOCUMENTS**

- 781,766 A \* 2/1905 Cawthray ..... 229/163
- 879,865 A \* 2/1908 Godfrey ..... 229/406
- 1,720,146 A \* 7/1929 Reese ..... 229/108.1
- 1,906,622 A 5/1933 Kondolf
- 1,960,635 A \* 5/1934 Kinkenon ..... 229/155
- 2,160,183 A \* 5/1939 Weltmer ..... 229/164.1
- 2,242,741 A 5/1941 Betts et al.
- 2,961,143 A 11/1960 Forrer
- 2,988,259 A \* 6/1961 Callinicos ..... 229/101
- 3,171,347 A \* 3/1965 Elrod ..... 100/1
- D234,396 S 2/1975 Killy
- D253,993 S 1/1980 Roccaforte
- D254,721 S 4/1980 Roccaforte
- D255,011 S 5/1980 Cooper et al.



# US D682,091 S

Page 2

---

## U.S. PATENT DOCUMENTS

6,464,131 B1 \* 10/2002 Blazevich ..... 229/112  
D469,692 S 2/2003 Meeker et al.  
6,938,820 B2 9/2005 Noone et al.  
D518,370 S 4/2006 Vanhoutte  
D587,998 S 3/2009 Kaisanlahti et al.  
D588,877 S \* 3/2009 DiNovo ..... D7/631  
D631,741 S 2/2011 Hubbard et al.  
D650,666 S 12/2011 Daley et al.  
2006/0186184 A1 8/2006 Jourdain

## OTHER PUBLICATIONS

U.S. Appl. No. 29/387,320, filed Mar. 11, 2011, Stephens, et al.  
The Stationery Studio.com Website, Images, [http://www.thestationerystudio.com/index.cfm/fuseaction/catalog.listProducts/catId/2498/All\\_Holders.html](http://www.thestationerystudio.com/index.cfm/fuseaction/catalog.listProducts/catId/2498/All_Holders.html), Nov. 19, 2010.  
All Office Actions in U.S. Appl. No. 12/894,411.

\* cited by examiner

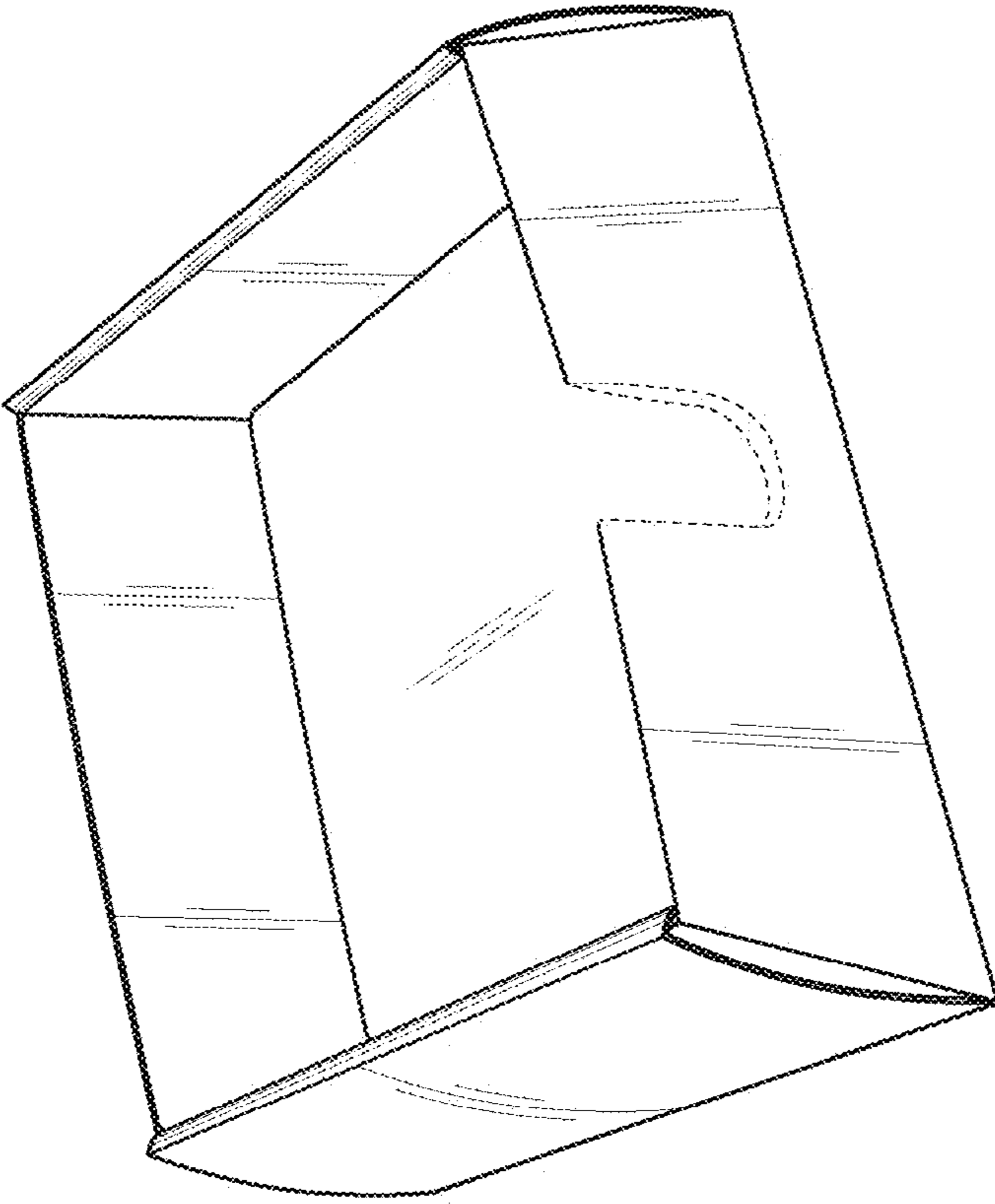


Fig. 1

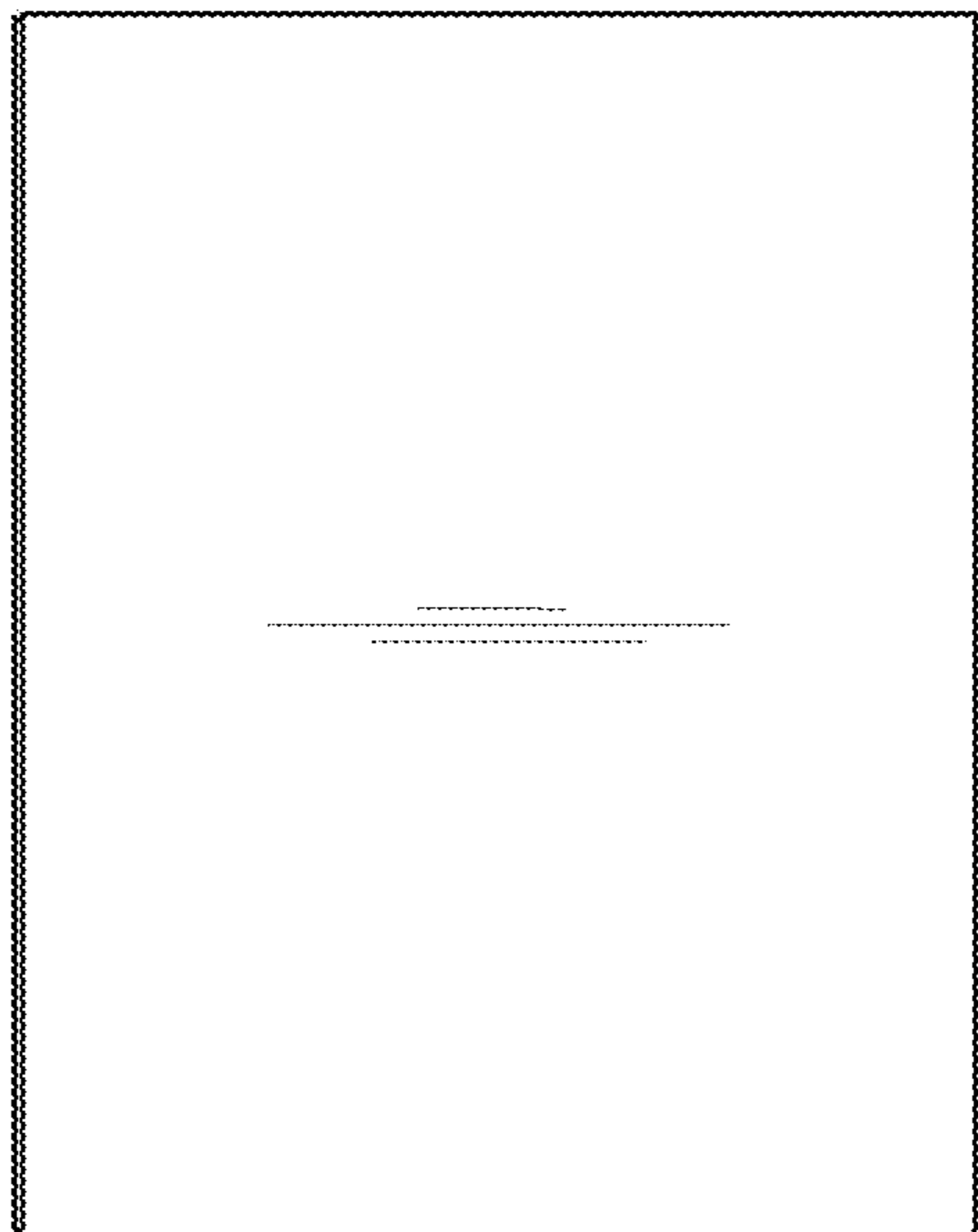


Fig. 3

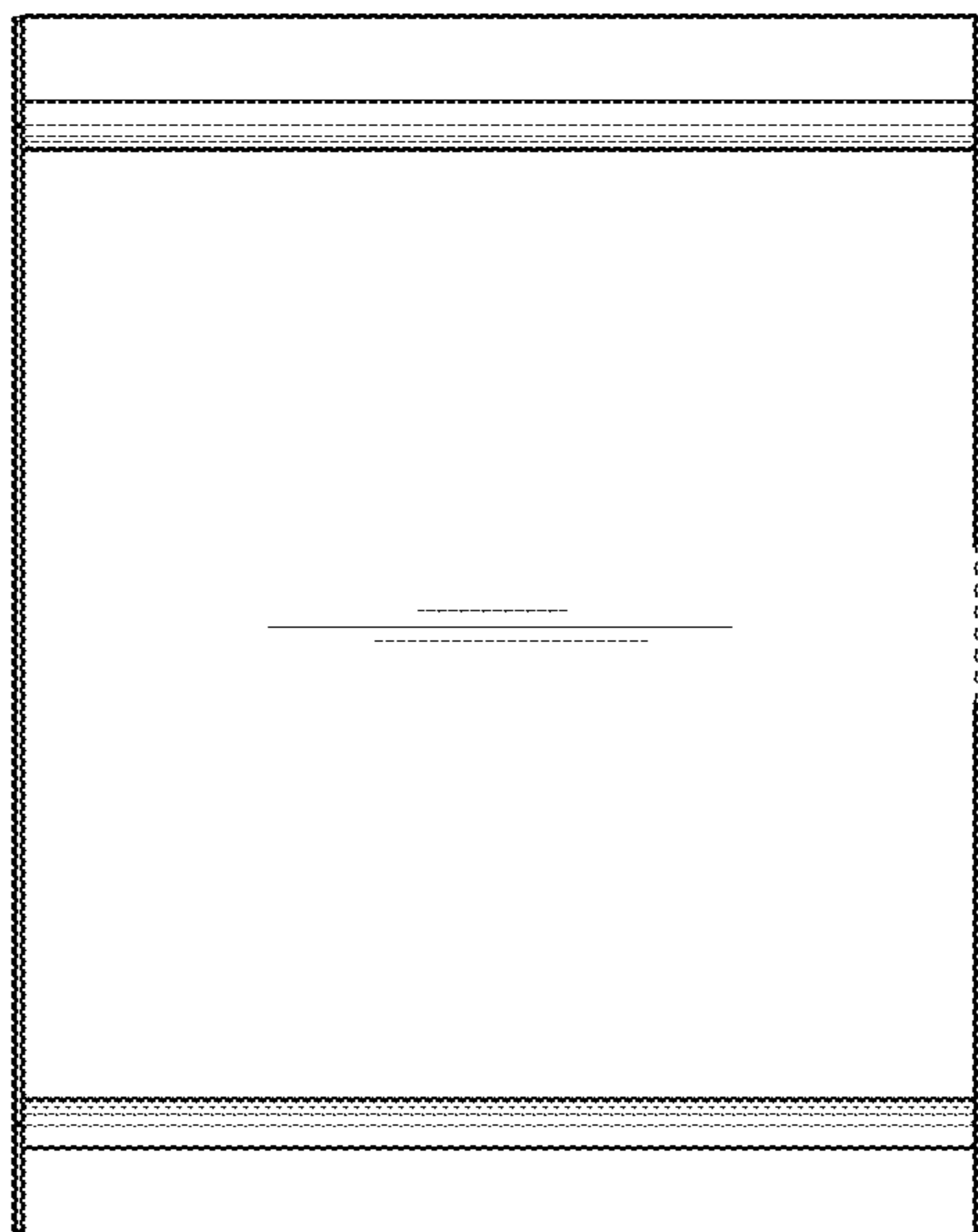


Fig. 2

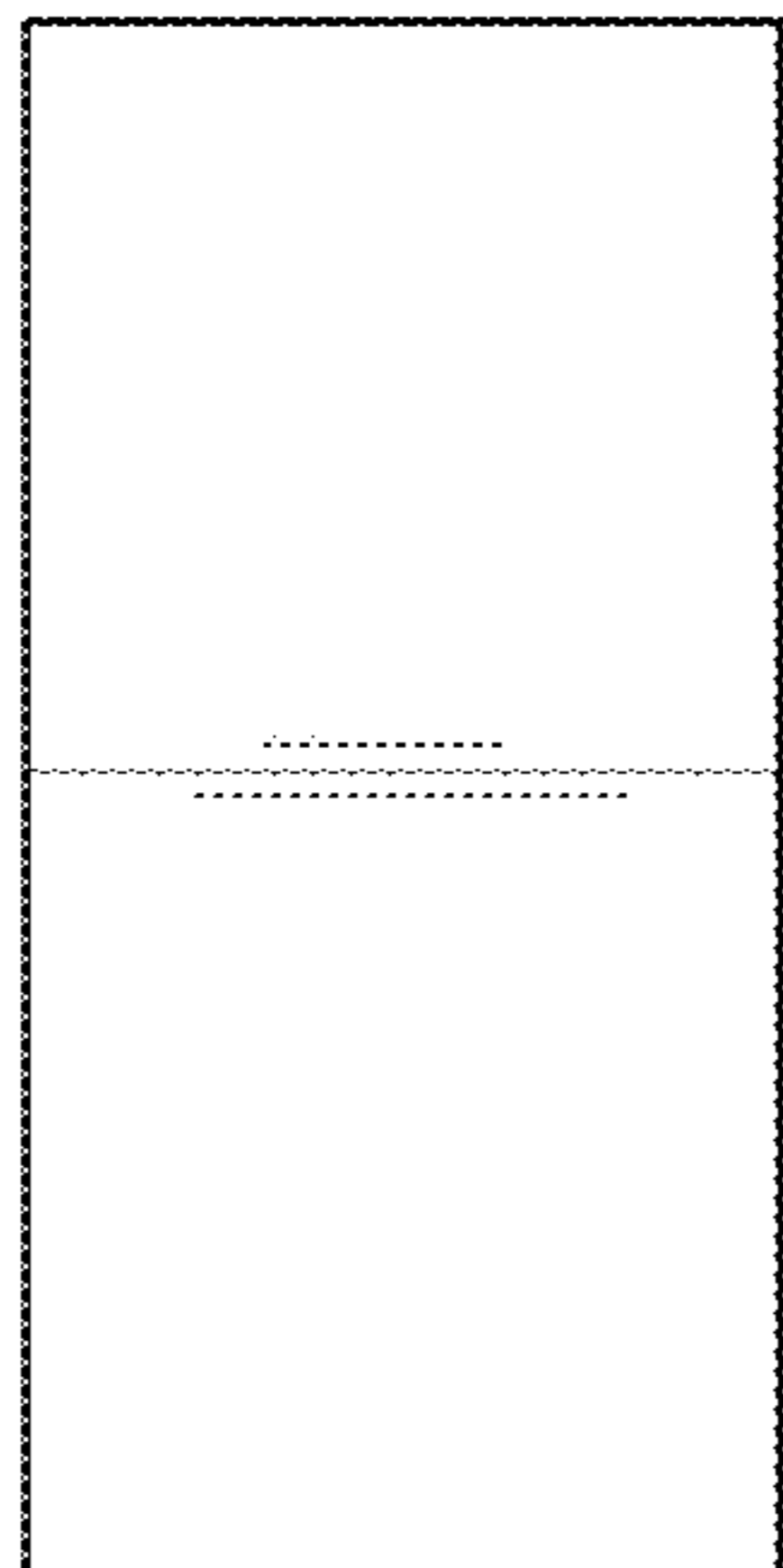


Fig. 6

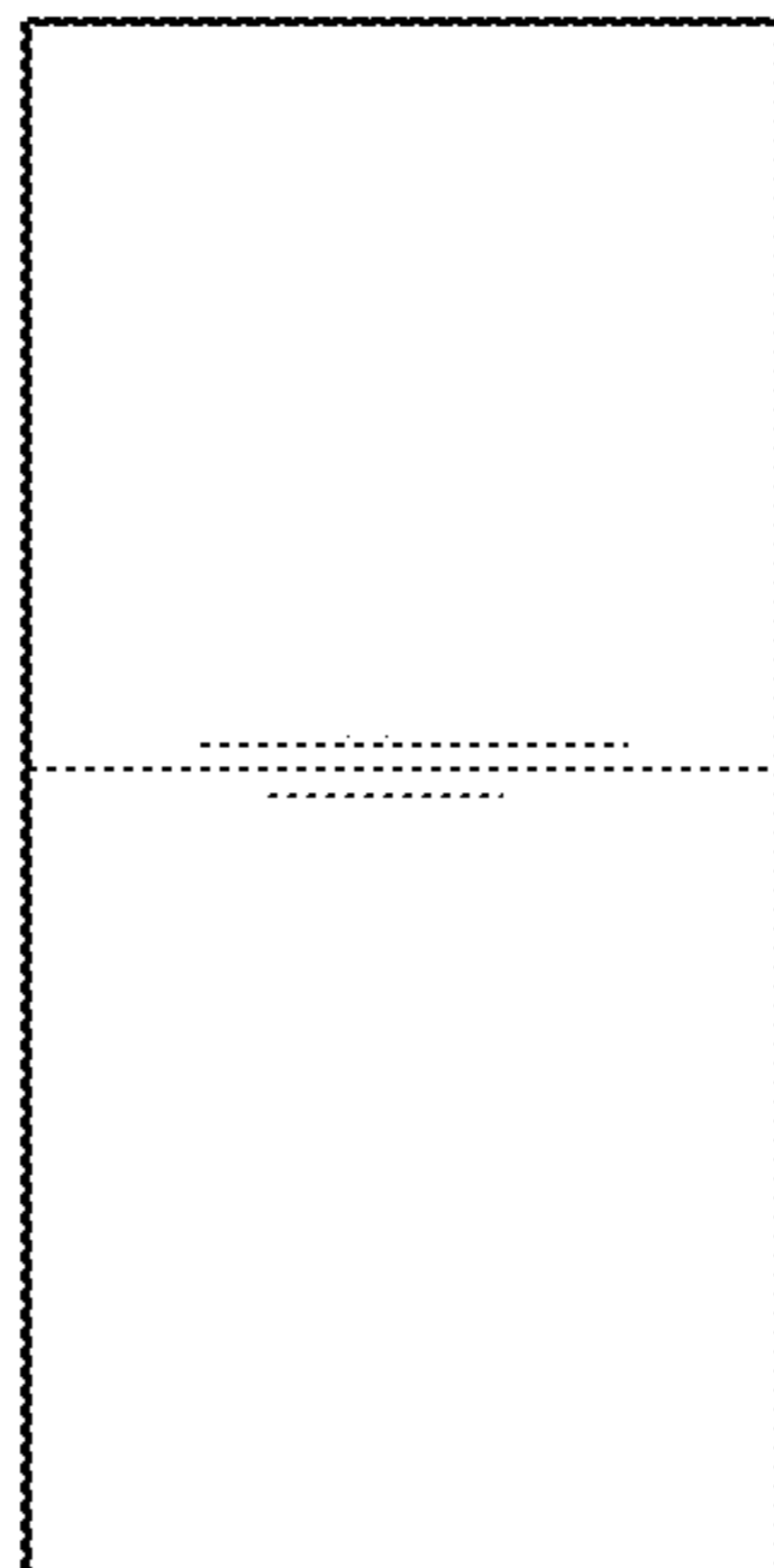


Fig. 7

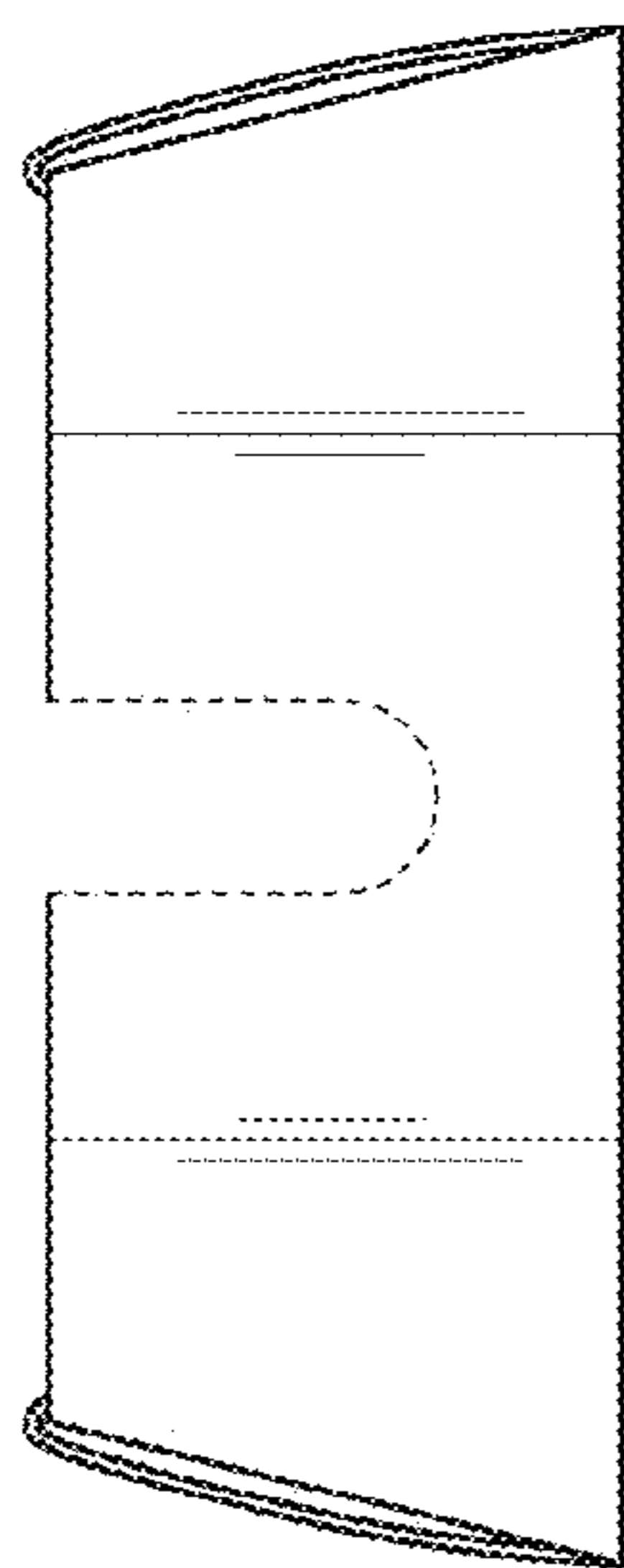


Fig. 4

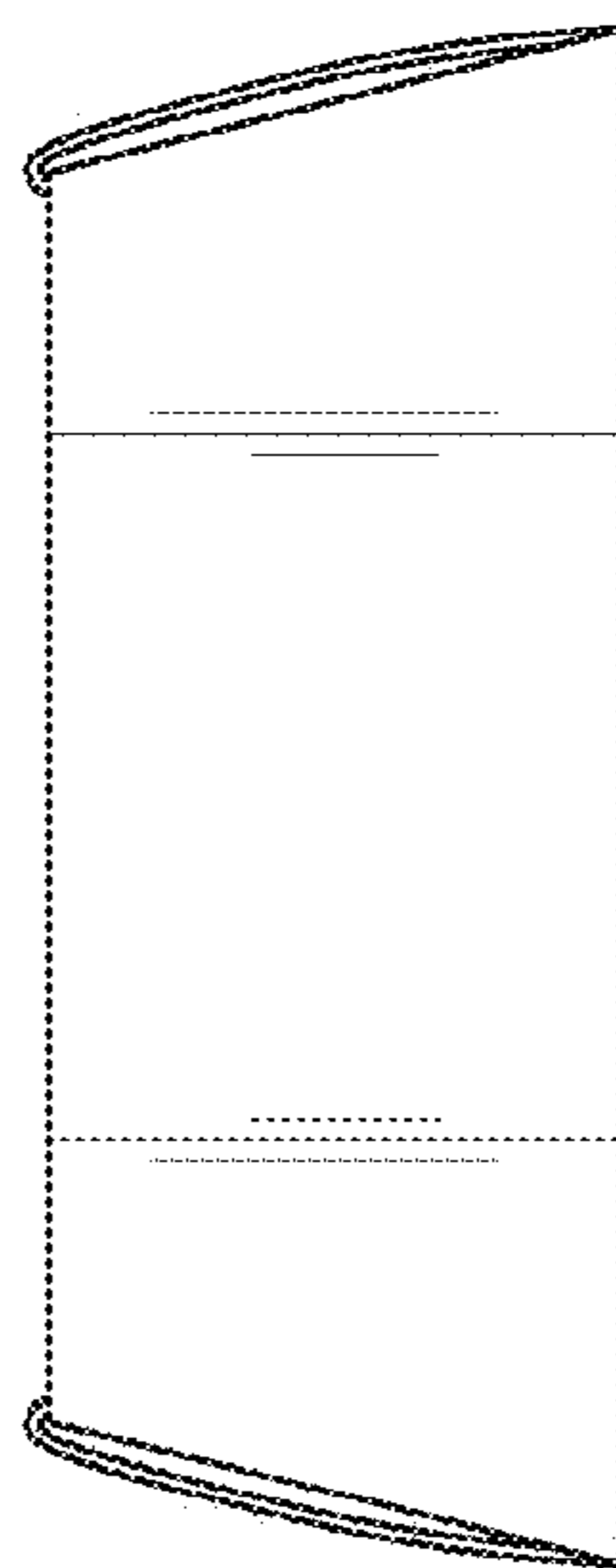


Fig. 5