



US00D682085S

(12) **United States Design Patent**
Hannant et al.

(10) **Patent No.:** **US D682,085 S**

(45) **Date of Patent:** **** May 14, 2013**

(54) **PACKAGING**

(75) Inventors: **Bruce Hannant**, Slough (GB); **Tom Oliver**, Slough (GB); **Chris Weston**, Bath (GB)

(73) Assignee: **Mars, Incorporated**, McLean, VA (US)

(**) Term: **14 Years**

(21) Appl. No.: **29/384,189**

(22) Filed: **Jan. 27, 2011**

(30) **Foreign Application Priority Data**

Jul. 28, 2010 (EM) 001227425-0001/3

(51) **LOC (9) Cl.** **09-03**

(52) **U.S. Cl.**
USPC **D9/416**

(58) **Field of Classification Search** D9/414,
D9/416, 423, 428, 430-433, 449, 455, 444,
D9/501-503, 508, 516, 519, 522, 529, 531,
D9/545, 548-52, 554, 564, 558, 560, 574,
D9/575, 688-692, 737-738, 740-742, 744,
D9/751, 755, 711, 756, 760, 727, 418, 415,
D9/758, 749, 499, 456; D24/216; 220/23.87,
220/23.89, 475, 592.05, 592.15, 592.23,
220/62.18, 602, 629; D6/300; D8/403
See application file for complete search history.

(56) **References Cited**

U.S. PATENT DOCUMENTS

3,089,590 A * 5/1963 Mell 206/467
3,343,743 A * 9/1967 Hamilton, Jr. et al. .. 229/117.24
D438,105 S * 2/2001 Conner et al. D9/430
D568,762 S * 5/2008 Keberlein D9/734

OTHER PUBLICATIONS

<http://www.etsy.com/listing/72903634/kraft-pillow-favor-box-love-birds-x12> searched RMS Dec. 11, 2012.*

<http://jayce-o.blogspot.com/2012/11/lovely-christmas-gift-wrapping-packaging-ideas.html> nnn searched RMS Dec. 11, 2012.*

* cited by examiner

Primary Examiner — Robert M Spear

Assistant Examiner — Rhea Shields

(74) *Attorney, Agent, or Firm* — Arent Fox LLP

(57) **CLAIM**

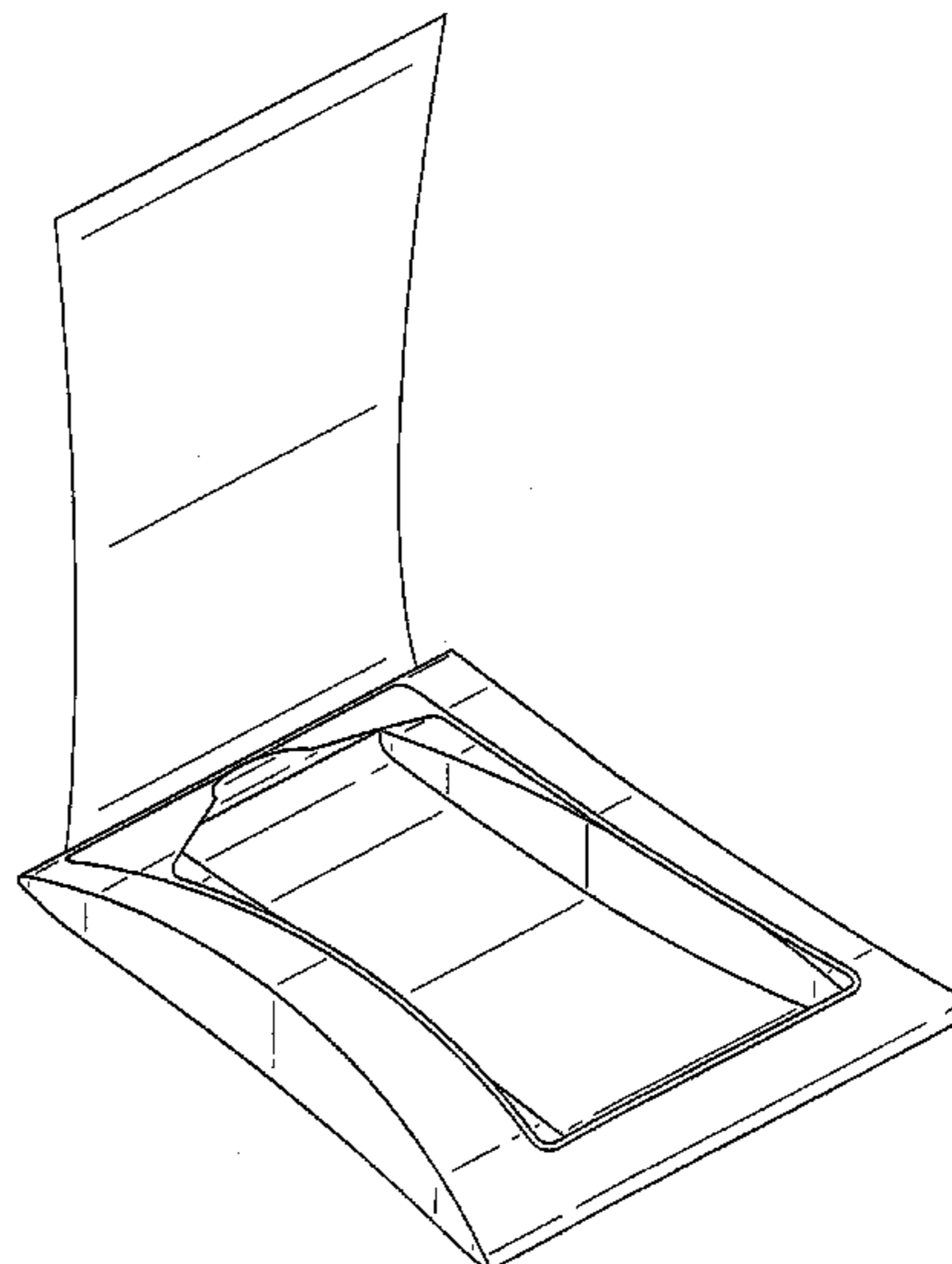
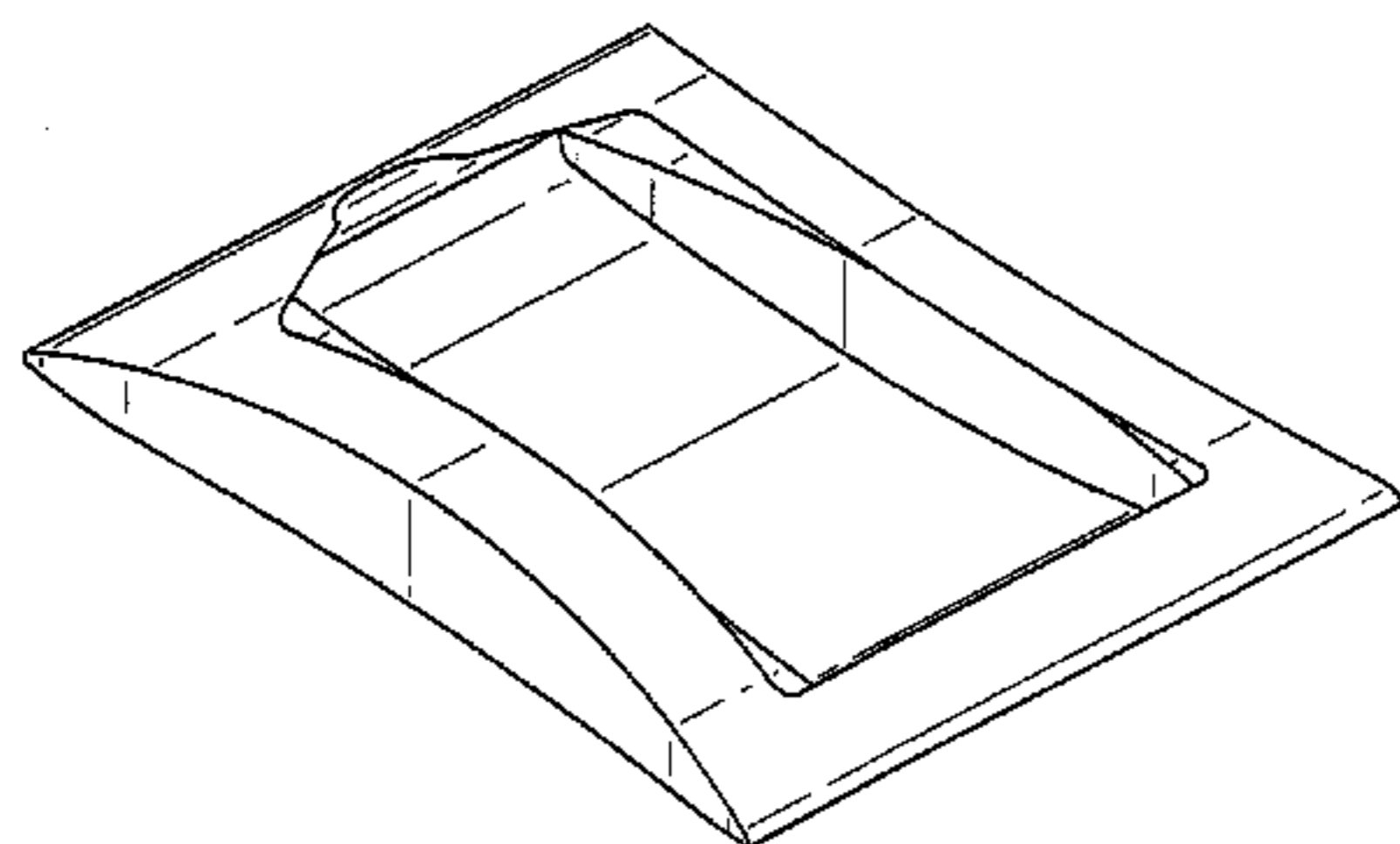
The ornamental design for packaging, as shown and described.

DESCRIPTION

FIG. 1 is a perspective view of a packaging showing my new design, according to a first embodiment;
FIG. 2 is a front view of the design shown in FIG. 1;
FIG. 3 is a rear view of the design shown in FIG. 1;
FIG. 4 is a left side view of the design shown in FIG. 1, the right side view being a mirror image thereof;
FIG. 5 is a top view of the design shown in FIG. 1;
FIG. 6 is a bottom view of the design shown in FIG. 1;
FIG. 7 is a perspective view of the design shown in FIG. 1 with a removable closure member;
FIG. 8 is a perspective view of a packaging showing my new design, according to a second embodiment;
FIG. 9 is a front view of the design shown in FIG. 8;
FIG. 10 is a rear view of the design shown in FIG. 8;
FIG. 11 is a left side view of the design shown in FIG. 8, the right side view being a mirror image thereof;
FIG. 12 is a top view of the design shown in FIG. 8;
FIG. 13 is a bottom view of the design shown in FIG. 8;
FIG. 14 is a perspective view of the design shown in FIG. 8 with a flap in the open position; and,
FIG. 15 is a perspective view of the design shown in FIG. 8 with a flap in the open position and a removable closure member.

The broken line showing in FIGS. 7, 15 illustrates a perforated edge of a closure member(s) and forms a part of the claimed design.

1 Claim, 13 Drawing Sheets



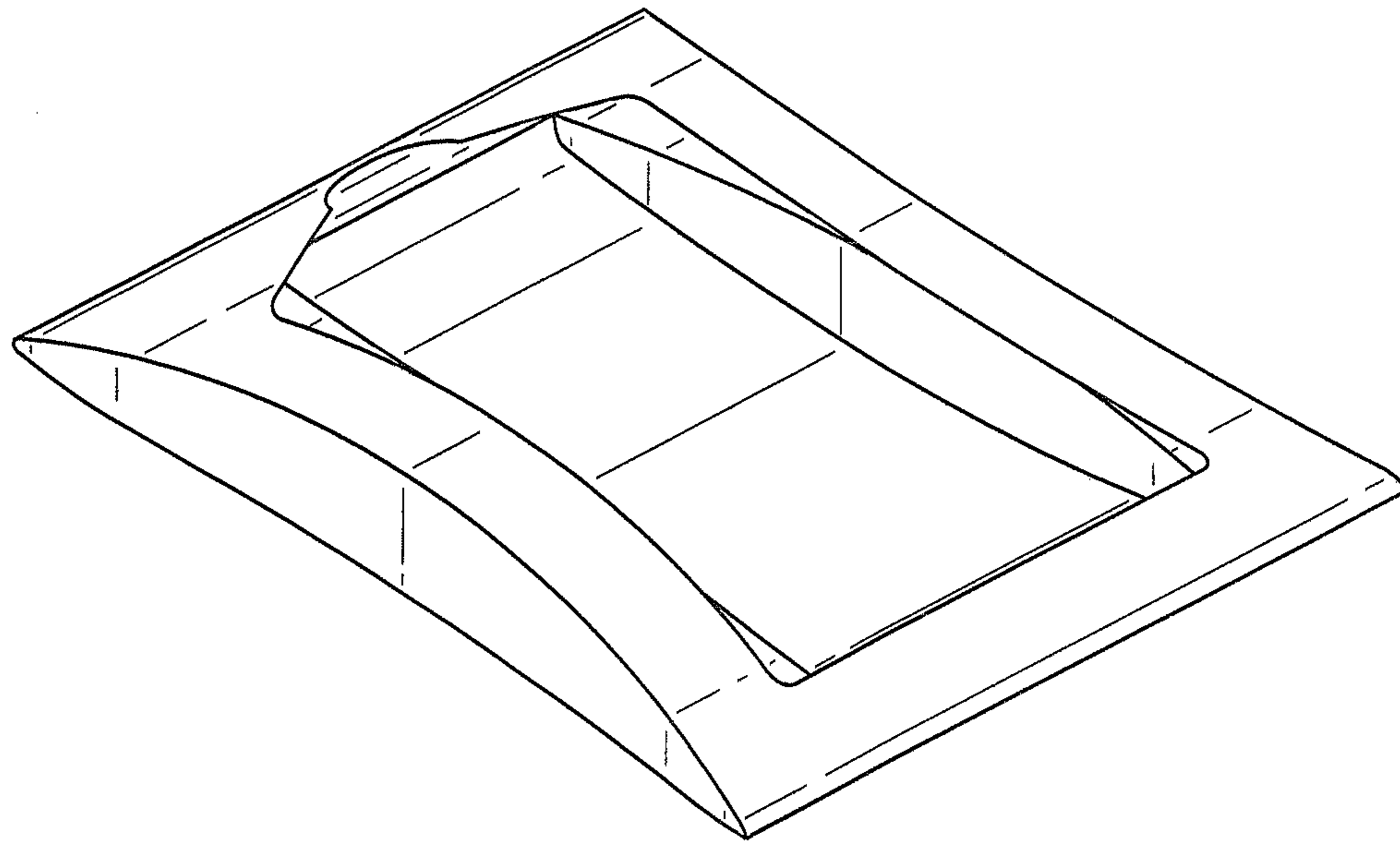


FIG. 1

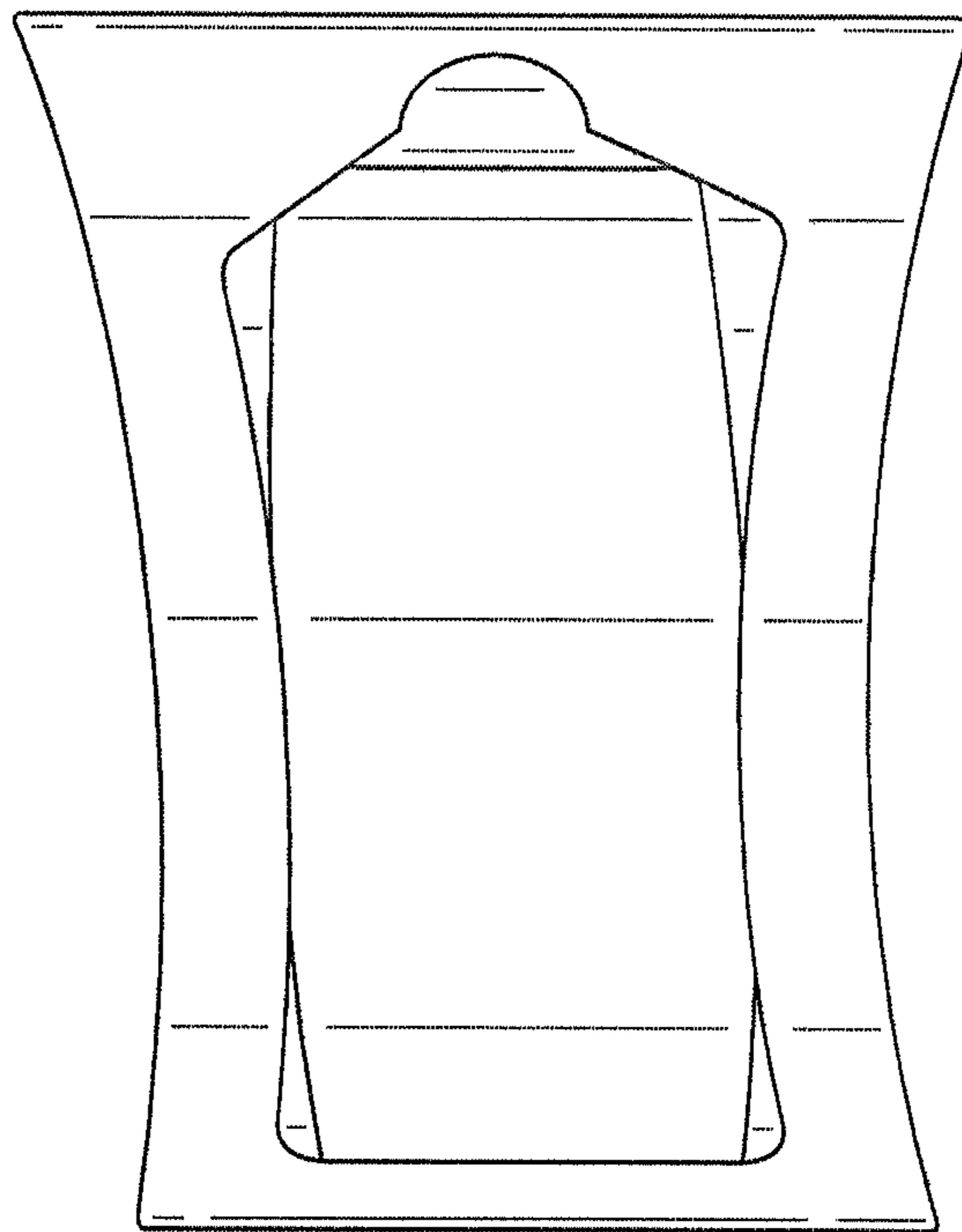


FIG. 2

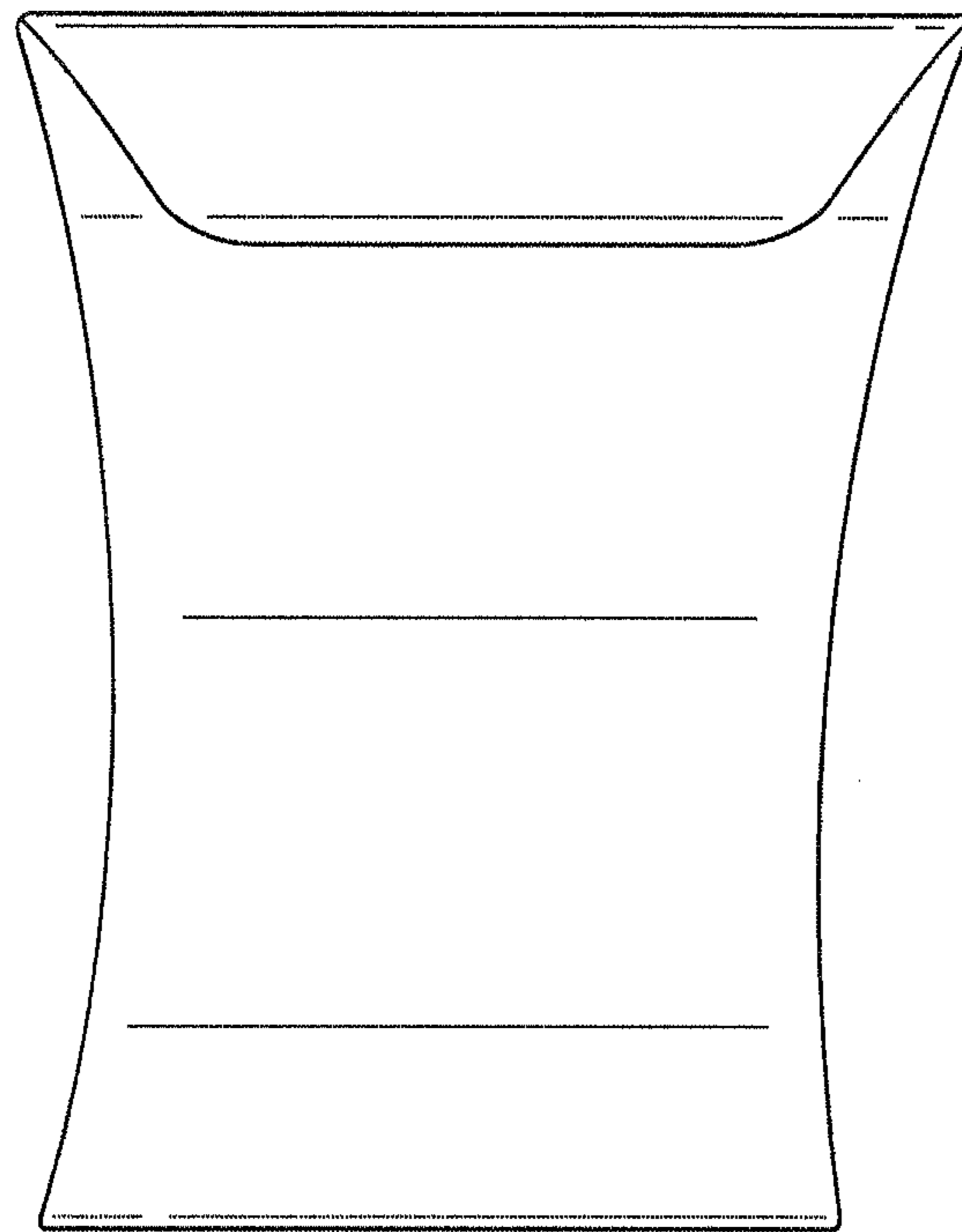


FIG.3



FIG.4

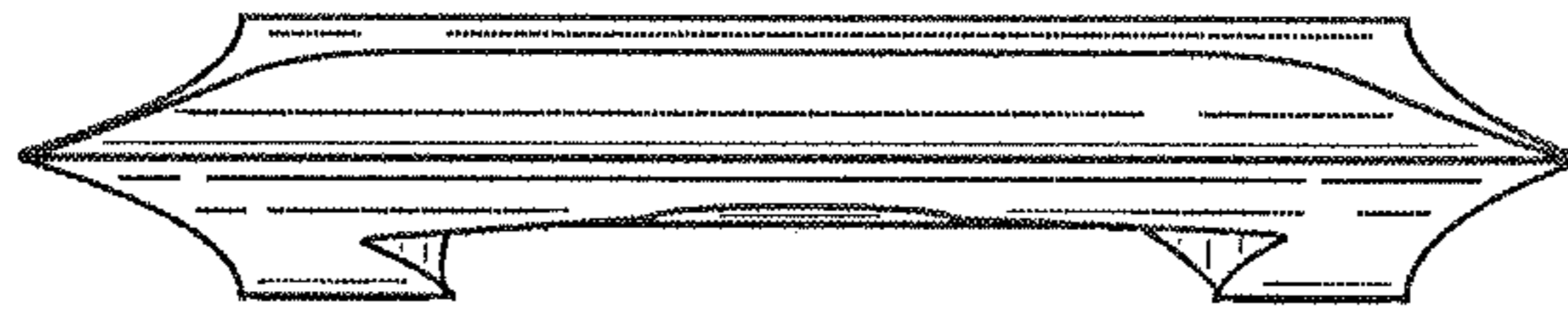


FIG. 5

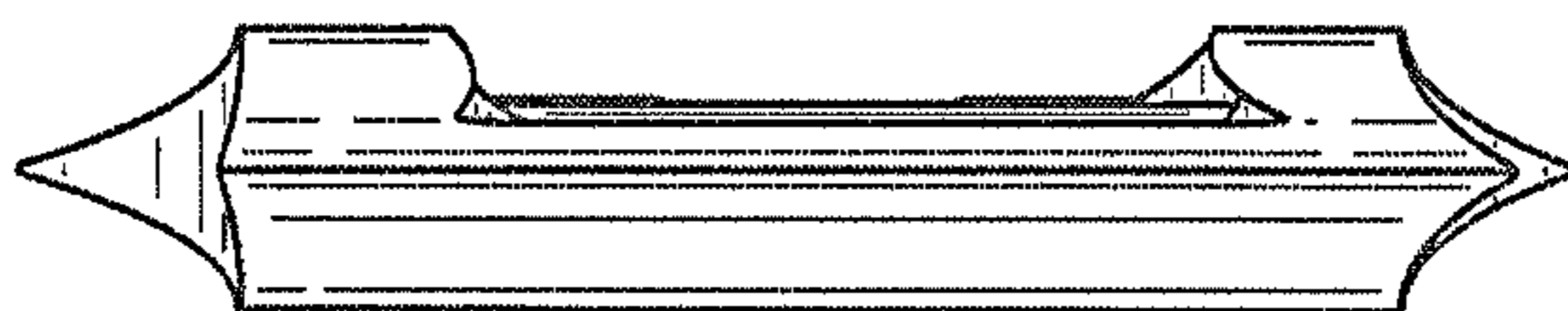


FIG. 6

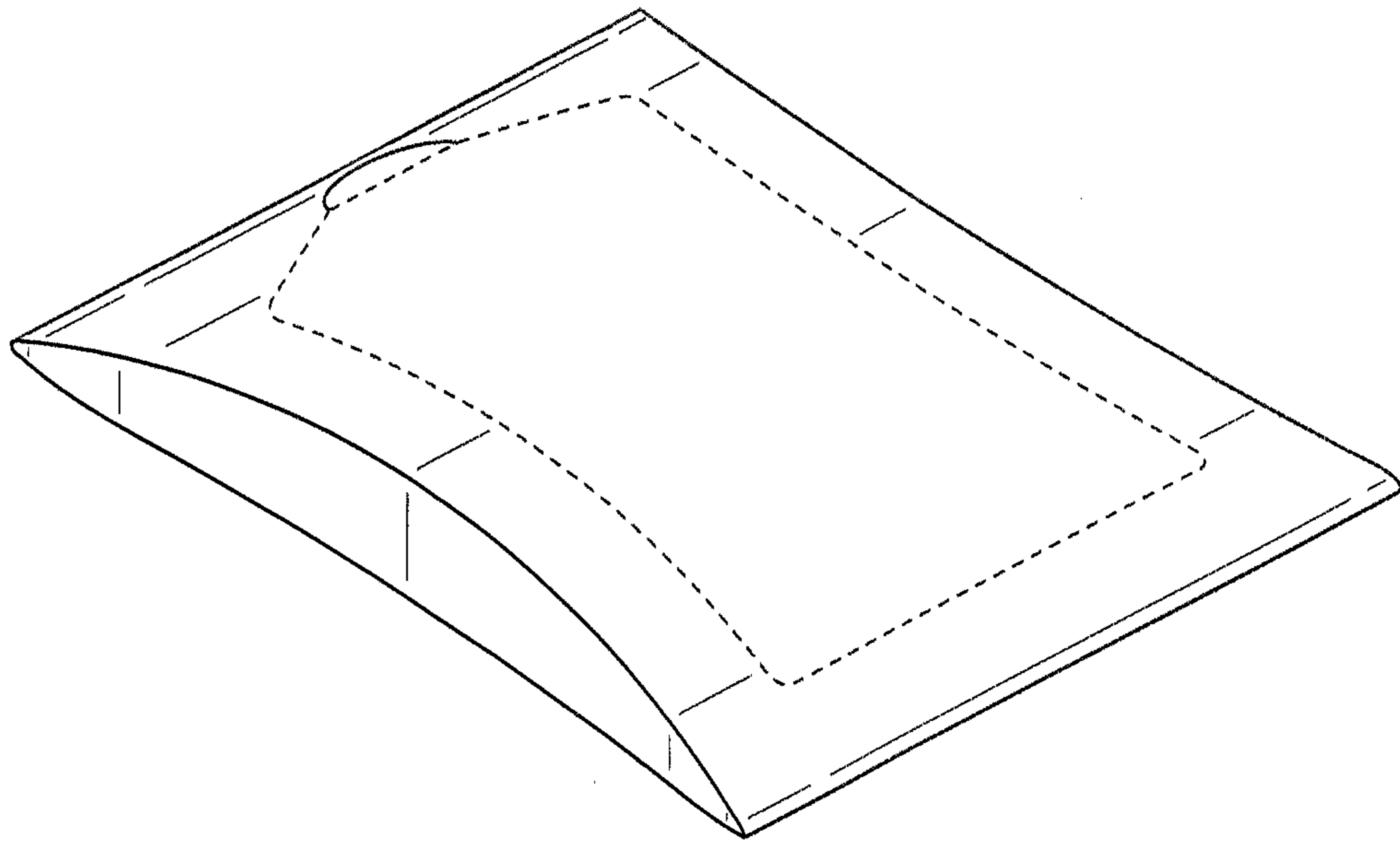


FIG.7

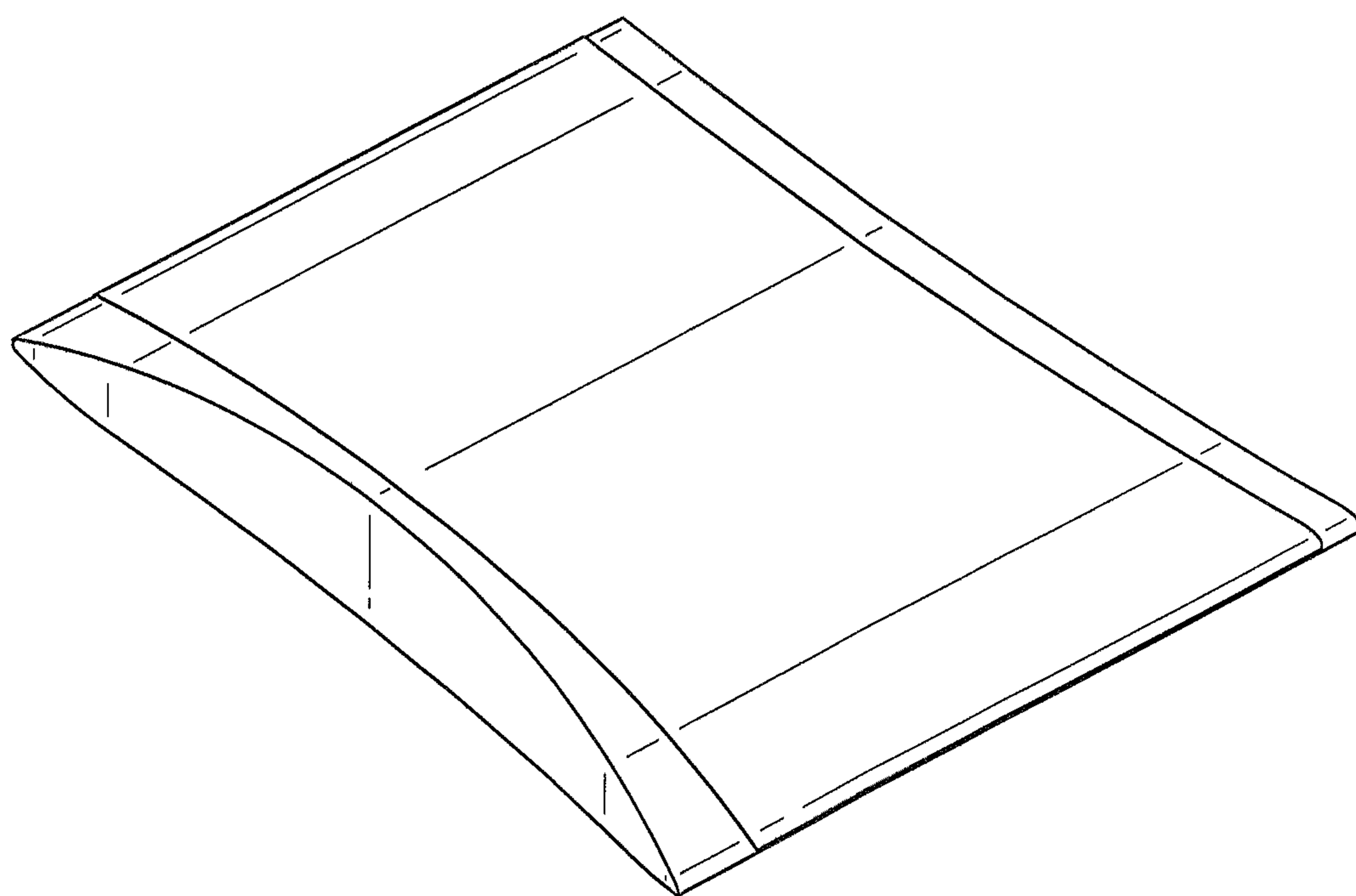


FIG.8

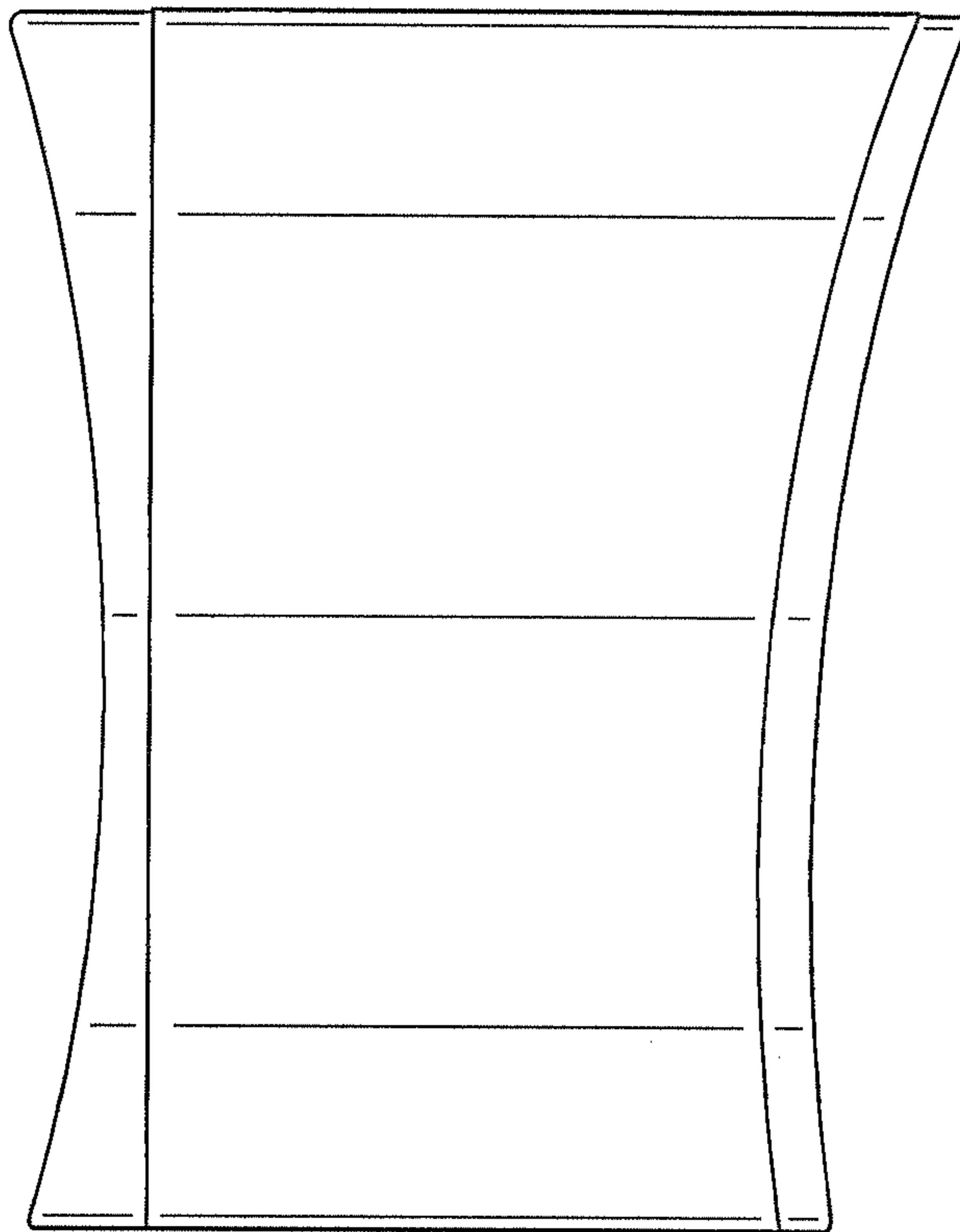


FIG.9

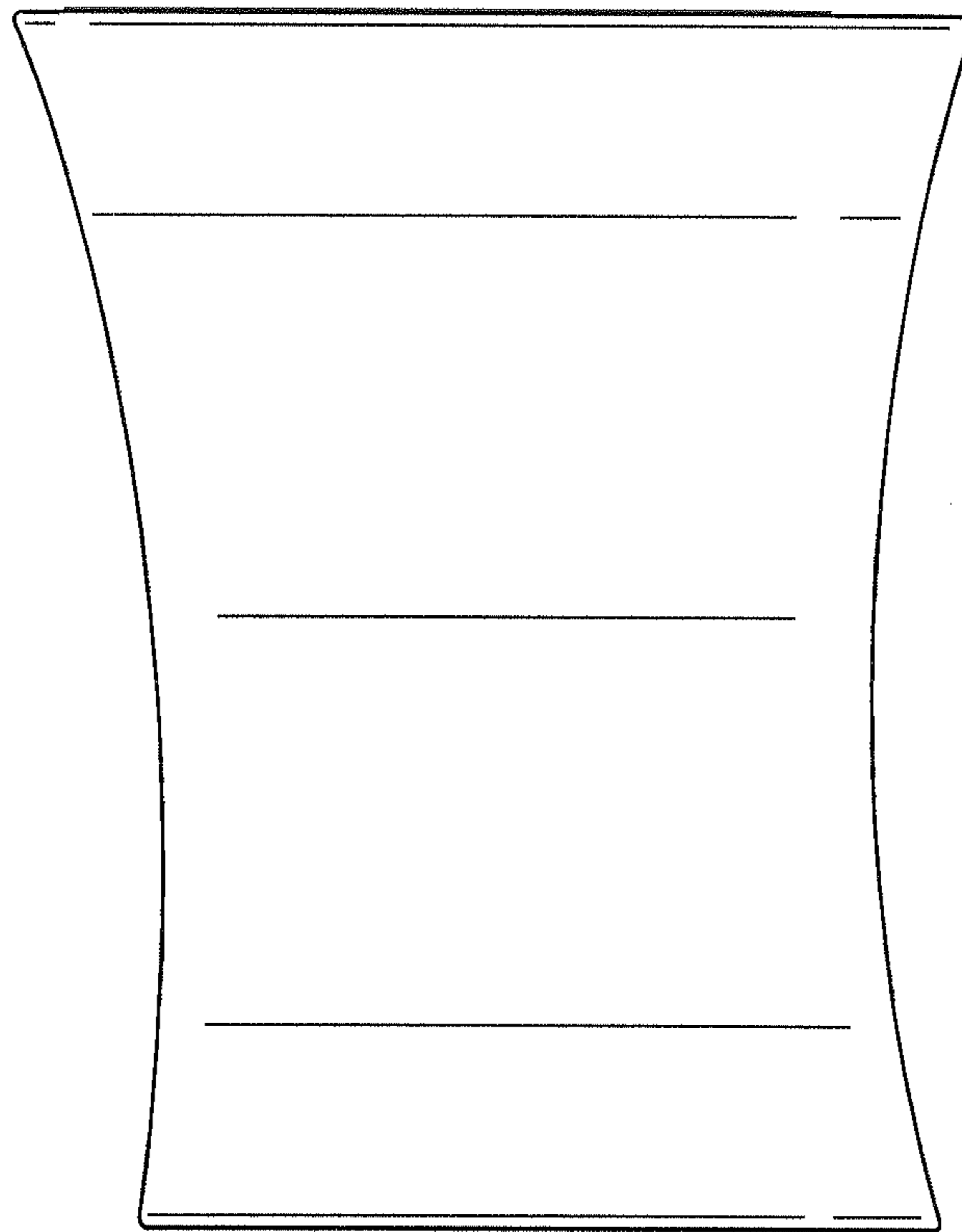


FIG.10

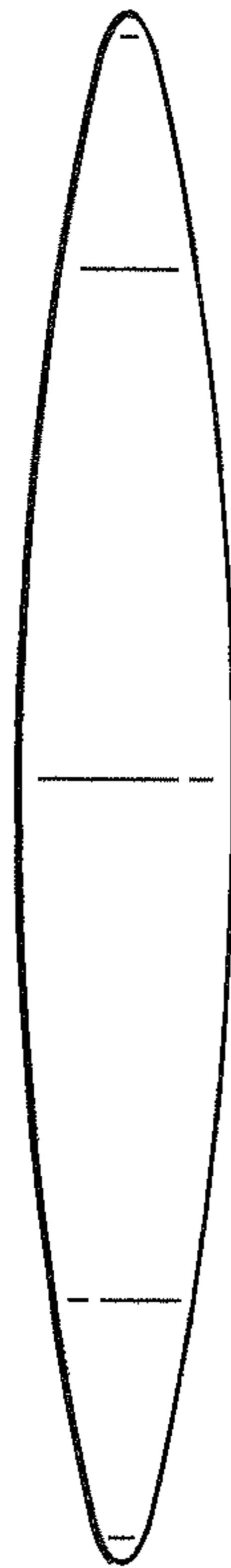


FIG.11

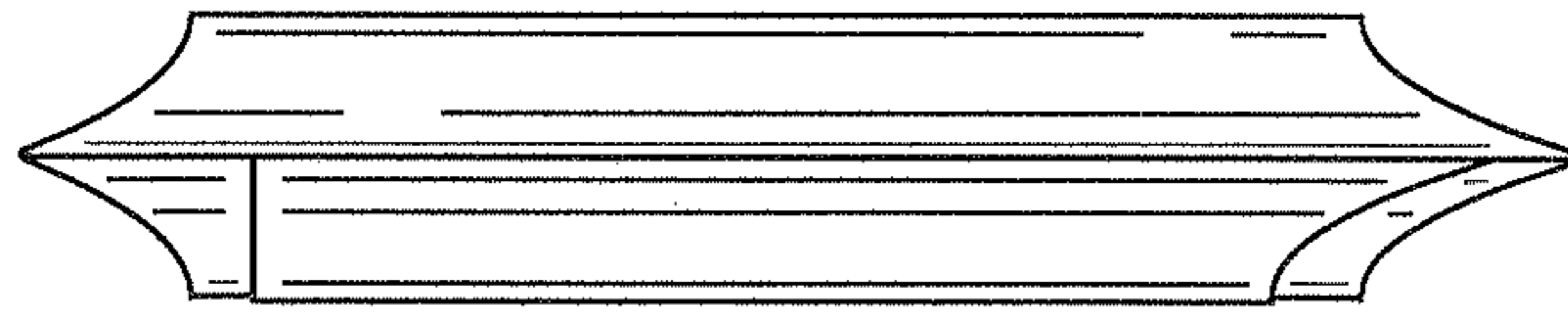


FIG. 12

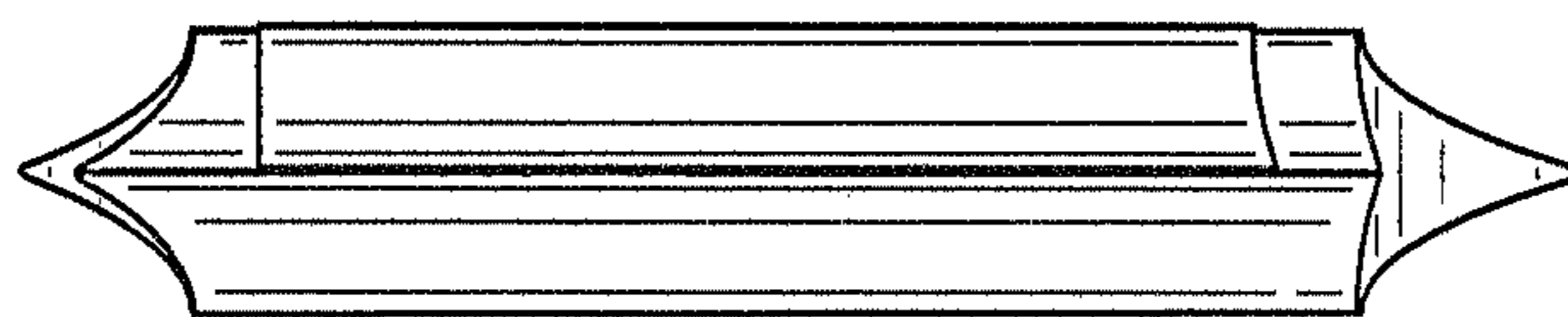


FIG. 13

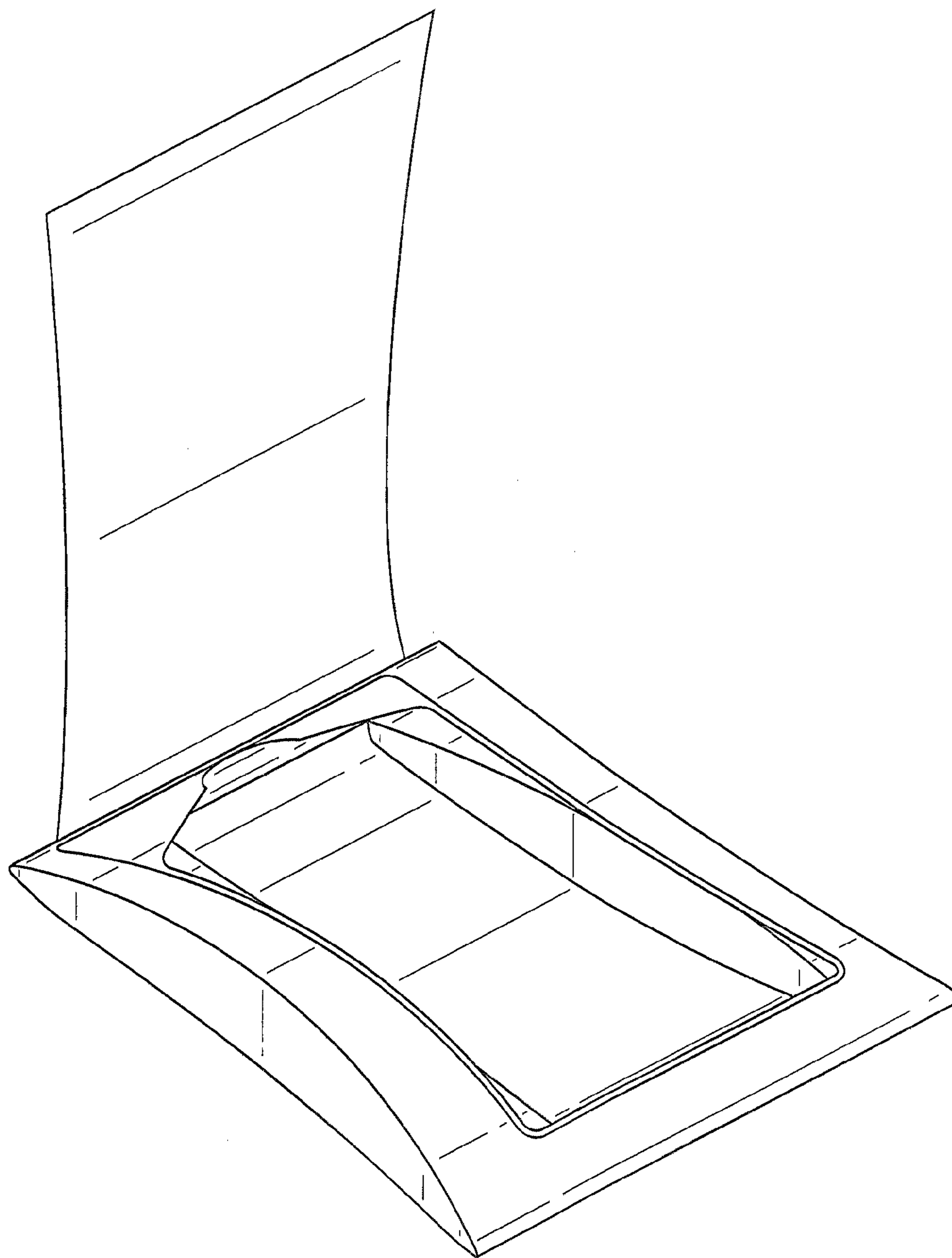


FIG. 14

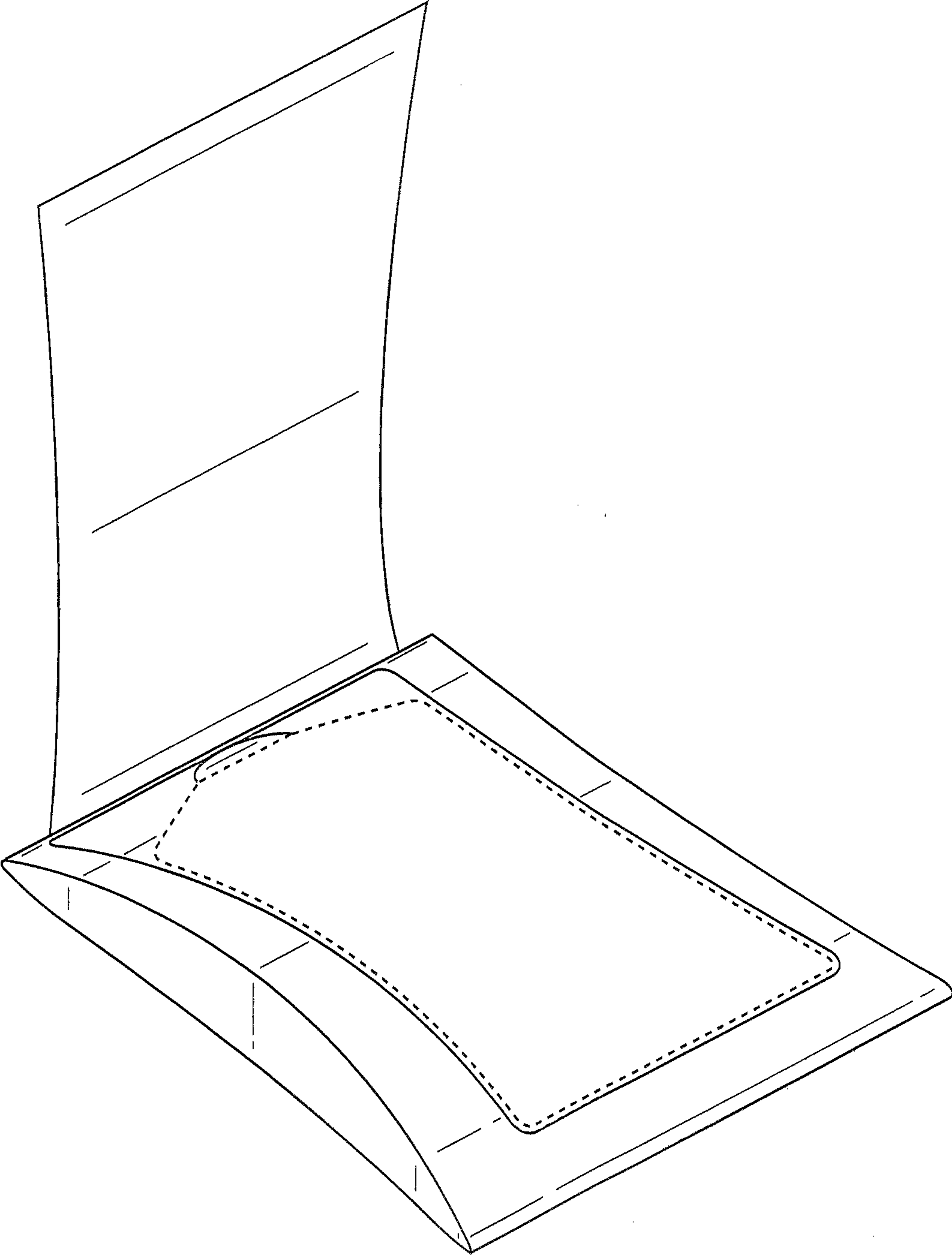


FIG.15