



US00D682084S

(12) **United States Design Patent**
Pierre et al.

(10) **Patent No.:** **US D682,084 S**

(45) **Date of Patent:** **** May 14, 2013**

(54) **FLUID PRODUCT DISPENSER**

(75) Inventors: **Christophe Pierre**, Saint Sebastien de Morsent (FR); **Isabelle Lallemand**, Versailles (FR)

(73) Assignee: **Valois SAS**, Le Neubourg (FR)

(**) Term: **14 Years**

(21) Appl. No.: **29/390,221**

(22) Filed: **Apr. 21, 2011**

(30) **Foreign Application Priority Data**

Oct. 22, 2010 (EM) 001771999-0001

(51) **LOC (9) Cl.** **09-03**

(52) **U.S. Cl.**
USPC **D9/415; D9/732**

(58) **Field of Classification Search** D9/414,
D9/416, 424, 425, 428, 740-741; D3/203.3,
D3/219, 263-265; D24/218, 226
See application file for complete search history.

(56) **References Cited**

U.S. PATENT DOCUMENTS

D352,237 S * 11/1994 Reardon et al. D9/415
D485,064 S * 1/2004 Abrams et al. D3/264
D517,906 S * 3/2006 Chang D9/415
D525,879 S * 8/2006 Ueda et al. D9/756
D548,616 S * 8/2007 Tsutsumi et al. D9/732

D558,062 S * 12/2007 Higo et al. D9/732
D601,039 S * 9/2009 Duquet et al. D9/732
D658,077 S * 4/2012 Newman D9/737

OTHER PUBLICATIONS

<http://www.britishbeautyblogger.com/2012/08/best-ever-sample-from-sephorafr.html> searched RMS Jan. 2, 2013.*
<http://www.etsy.com/listing/94090248/solid-perfume-sample-pack-set-of-3> searched RMS Jan. 2, 2013.*
<http://www.ebay.com/itm/4-Chanel-Chance-Perfume-Sample-Travel-Size-Bubble-Card-NE...> searched RMS Jan. 2, 2013.*

* cited by examiner

Primary Examiner — Robert M Spear

Assistant Examiner — Rhea Shields

(74) *Attorney, Agent, or Firm* — Sughrue Mion, PLLC

(57) **CLAIM**

The ornamental design for a fluid product dispenser, as shown and described.

DESCRIPTION

FIG. 1 is a perspective view of the fluid product dispenser that comprises my invention;

FIG. 2 is a left side view thereof;

FIG. 3 is a right side view thereof;

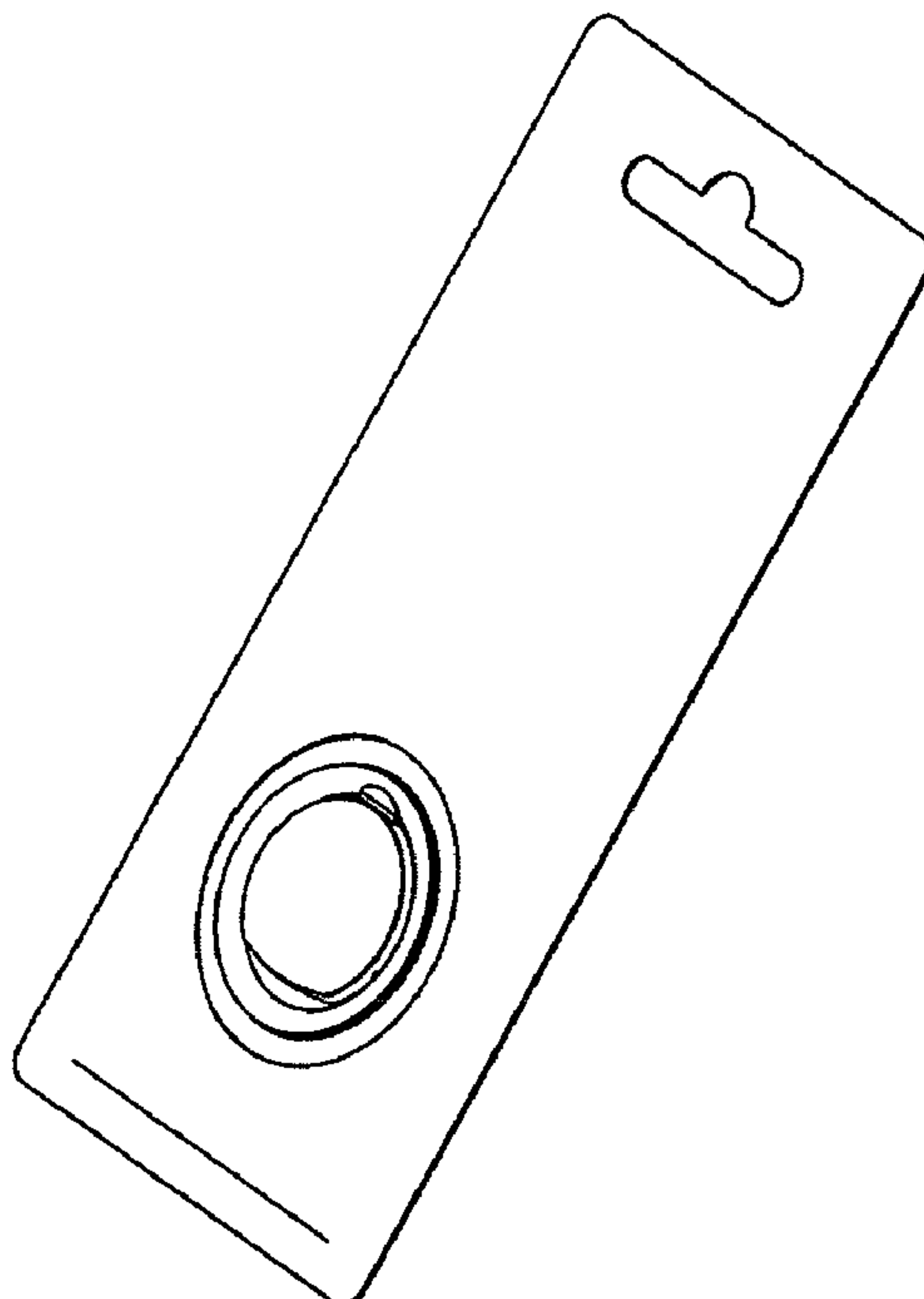
FIG. 4 is a front view thereof;

FIG. 5 is a rear view thereof;

FIG. 6 is a bottom view thereof; and,

FIG. 7 is a top view thereof.

1 Claim, 7 Drawing Sheets



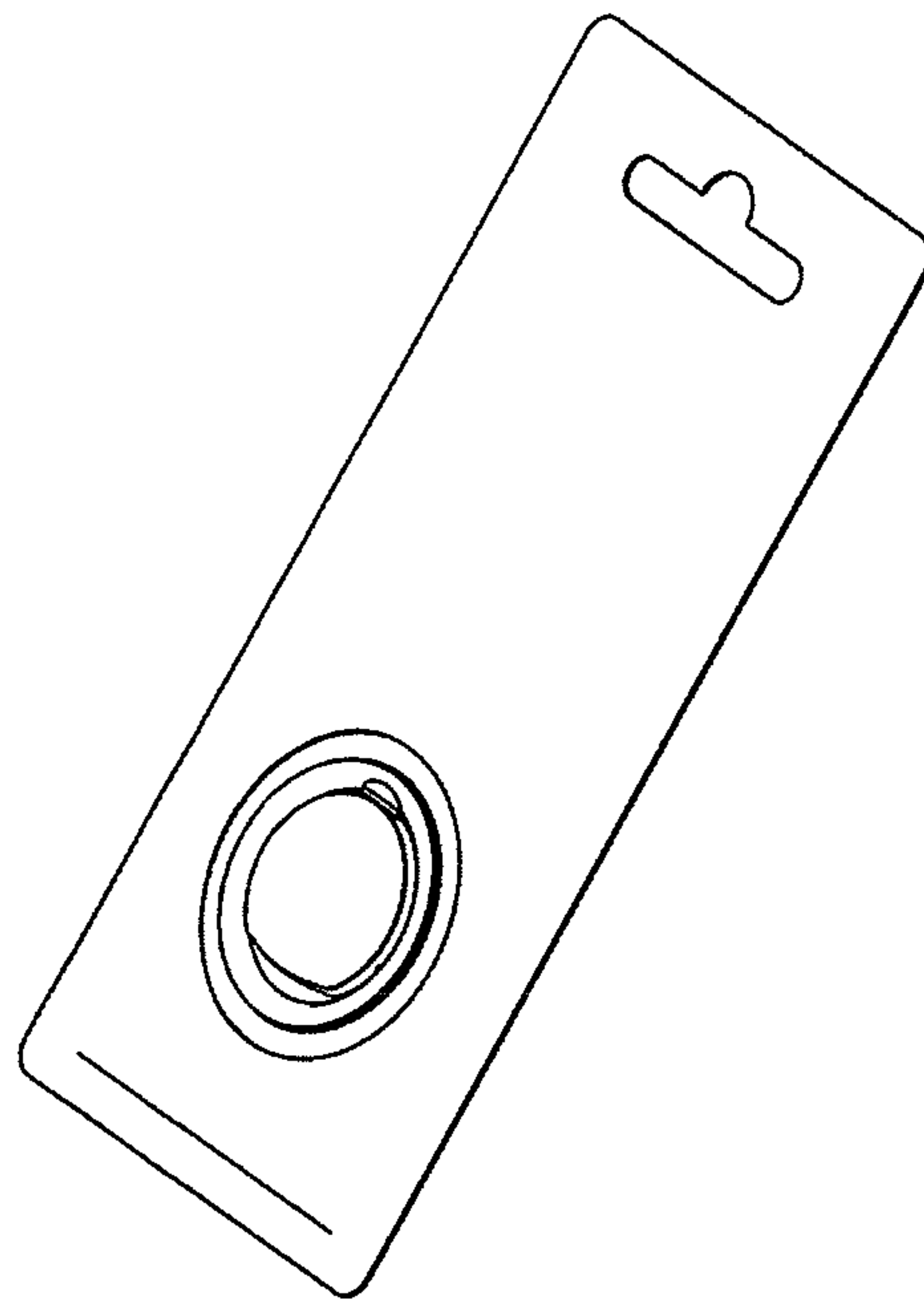


FIGURE 1



FIGURE 2



FIGURE 3

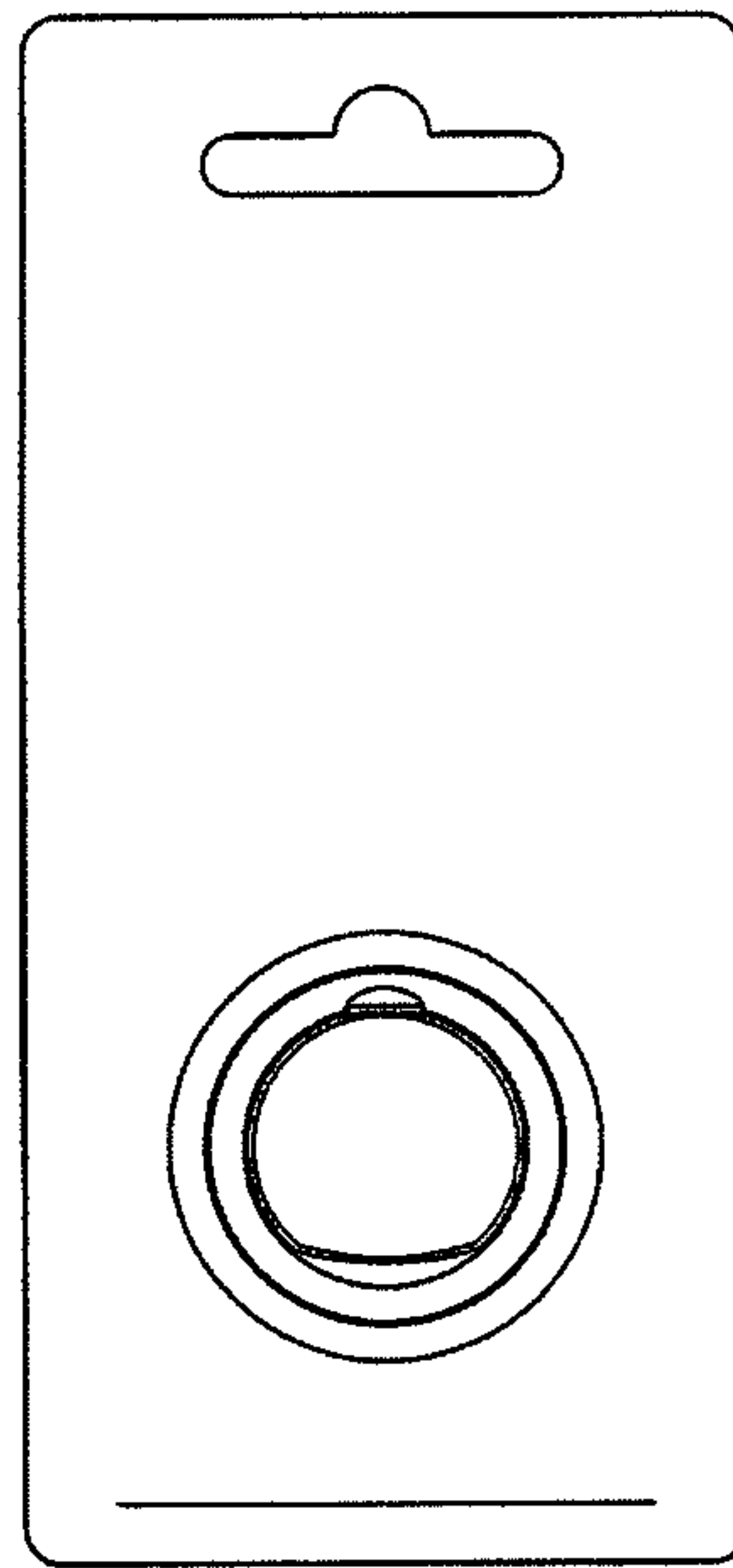


FIGURE 4

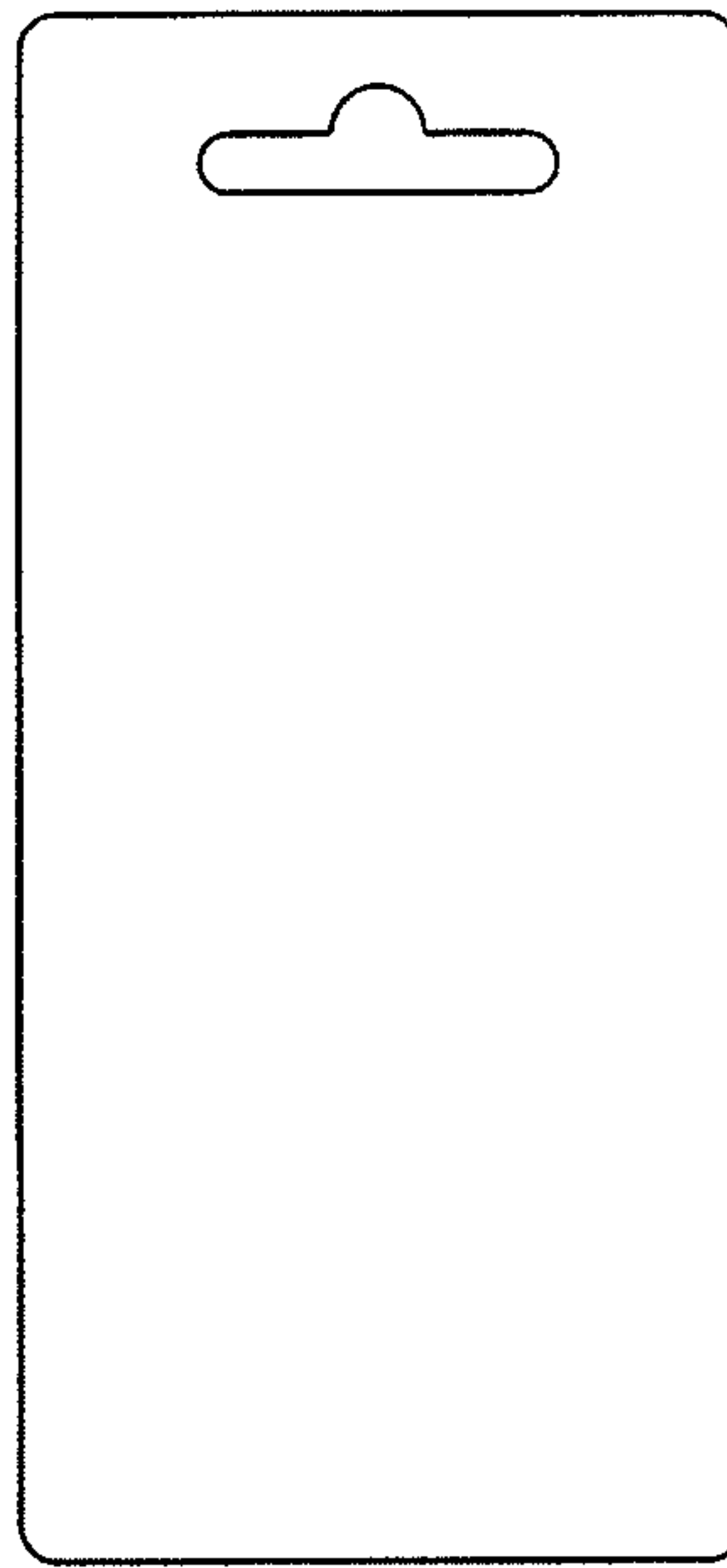


FIGURE 5

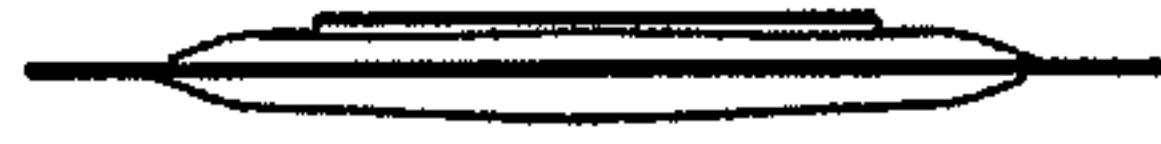


FIGURE 6

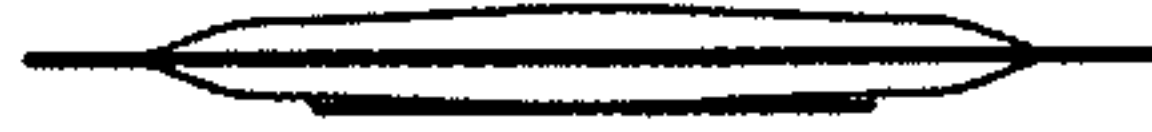


FIGURE 7