



US00D682083S

(12) **United States Design Patent**
Mitchell

(10) **Patent No.:** **US D682,083 S**

(45) **Date of Patent:** **** May 14, 2013**

(54) **KIT FOR A/C WINDOW UNIT CONDENSER FILTERS**

Primary Examiner — Brian N Vinson

(74) *Attorney, Agent, or Firm* — RG Patent Consulting LLC;
Rachel Gilboy

(76) Inventor: **David E. Mitchell**, Lincoln Park, MI
(US)

(**) Term: **14 Years**

(57) **CLAIM**

(21) Appl. No.: **29/391,293**

I claim the ornamental design for a kit for A/C window unit condenser filters, as shown and described.

(22) Filed: **May 5, 2011**

(51) **LOC (9) Cl.** **09-03**

(52) **U.S. Cl.**

USPC **D9/414**

(58) **Field of Classification Search** D23/333,
D23/354, 365; D9/737, 414; D3/201, 269,
D3/905; 62/262, 298; 206/267, 268
See application file for complete search history.

DESCRIPTION

(56) **References Cited**

U.S. PATENT DOCUMENTS

2,705,990	A	4/1955	Miller	
3,768,235	A	10/1973	Meyer et al.	
4,170,880	A	10/1979	Lou	
5,542,263	A	8/1996	Choi et al.	
5,689,969	A	11/1997	Conroy	
D390,103	S *	2/1998	Gerson	D9/414
D405,007	S *	2/1999	Naas, Sr.	D9/414
D477,999	S *	8/2003	Lloyd	D9/414
D568,765	S *	5/2008	Miles	D9/737
D592,494	S *	5/2009	Wichowski	D9/414
D660,723	S *	5/2012	Akana et al.	D9/737

FIG. 1 is an exploded front, top and side perspective view of the kit for A/C window unit condenser filters in the open condition showing the elements used to cover the A/C window unit intake embodying the design of the present invention.

FIG. 2 is a top plan view of the container for the kit.

FIG. 3 is a bottom plan view of the container.

FIG. 4 is a side elevational view of the container, the side opposite to the side shown in FIG. 4 being identical to the side shown in FIG. 4.

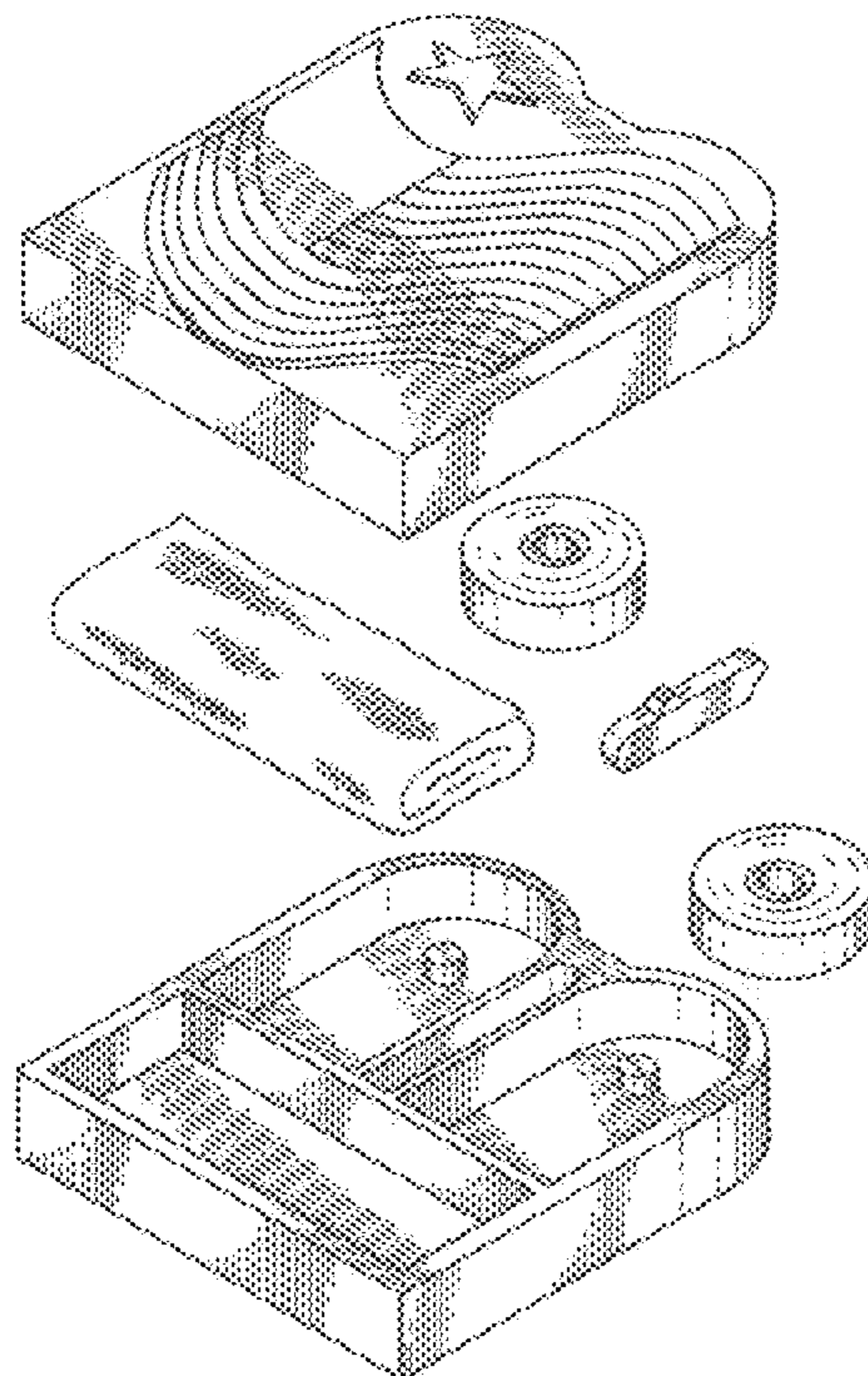
FIG. 5 is a front elevational view of the container; and,

FIG. 6 is a rear end elevational view of the container.

The kit shown contains a filter, tape and a knife for applying the filter over the intake area of an A/C window unit to prevent debris, insects and the like from entering the unit and plugging the condenser of the unit.

* cited by examiner

1 Claim, 3 Drawing Sheets



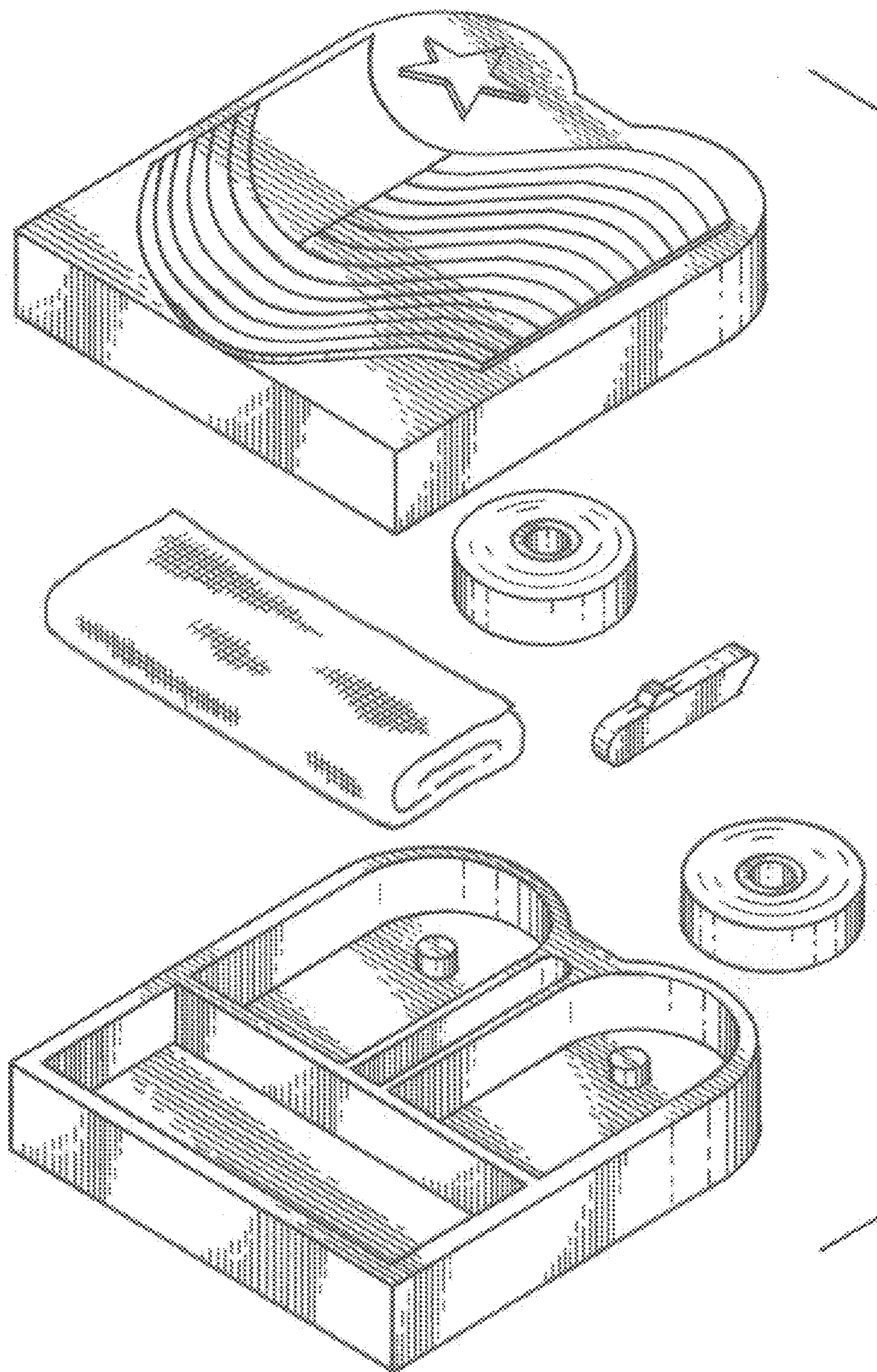


FIG. 1

FIG. 2

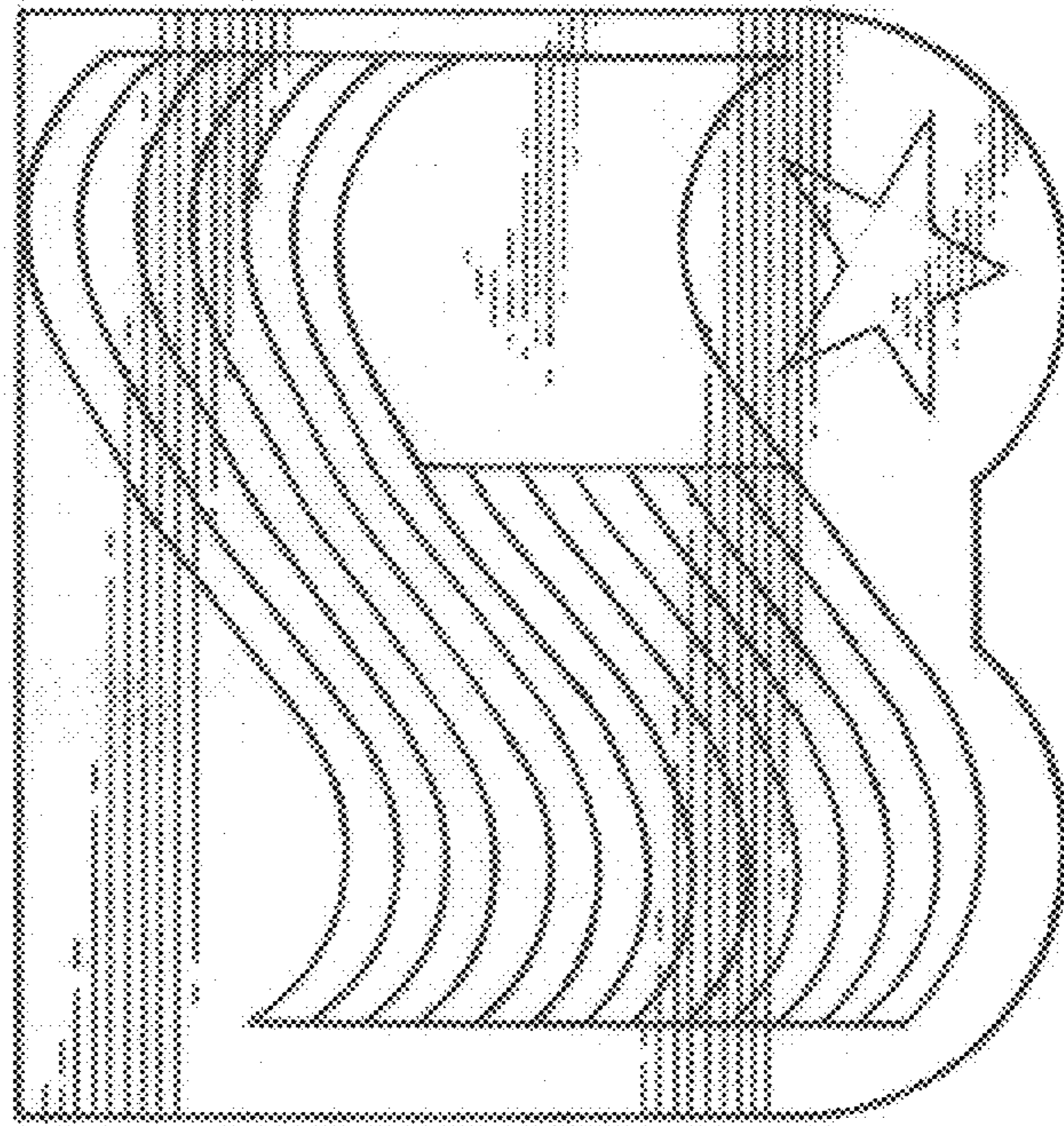
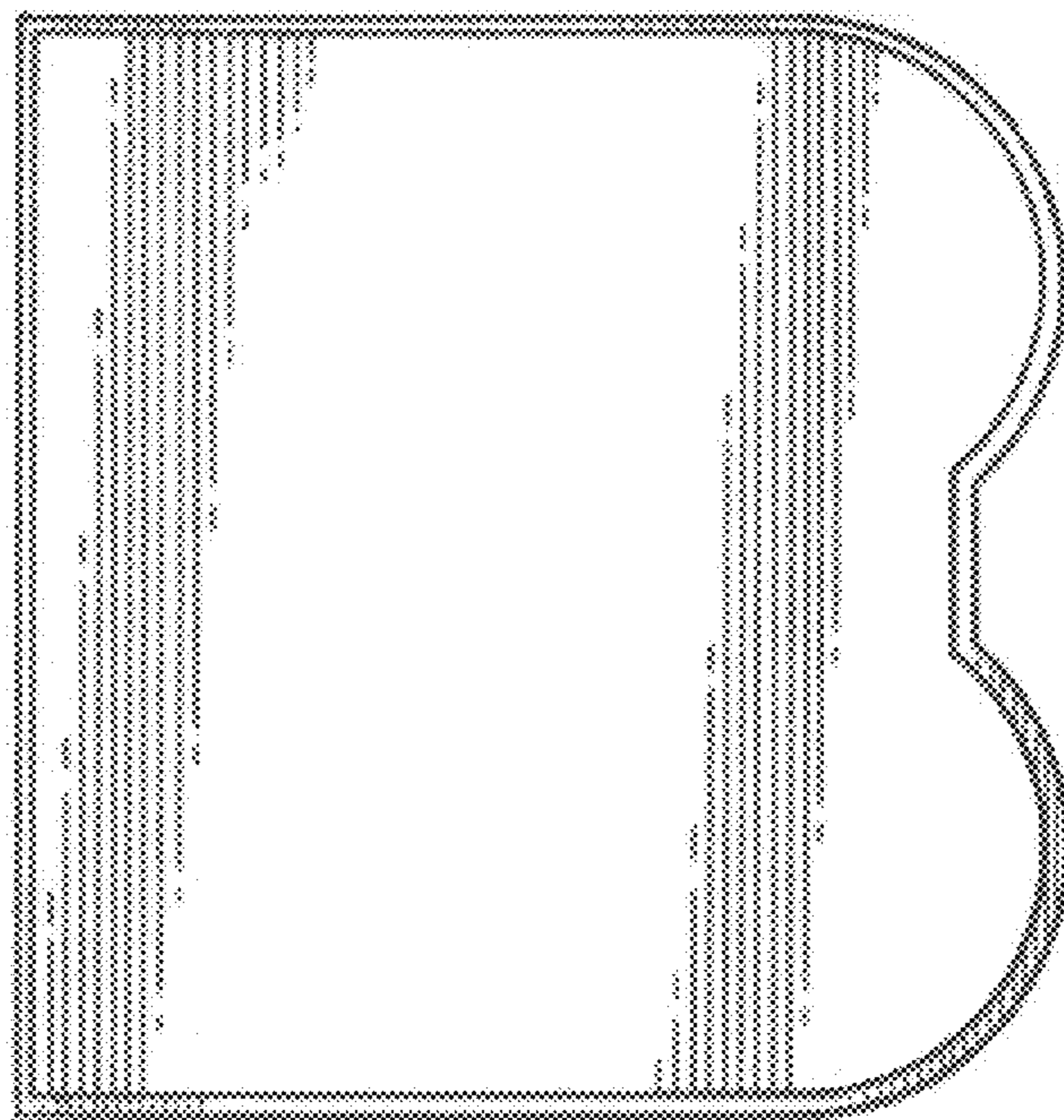


FIG. 3



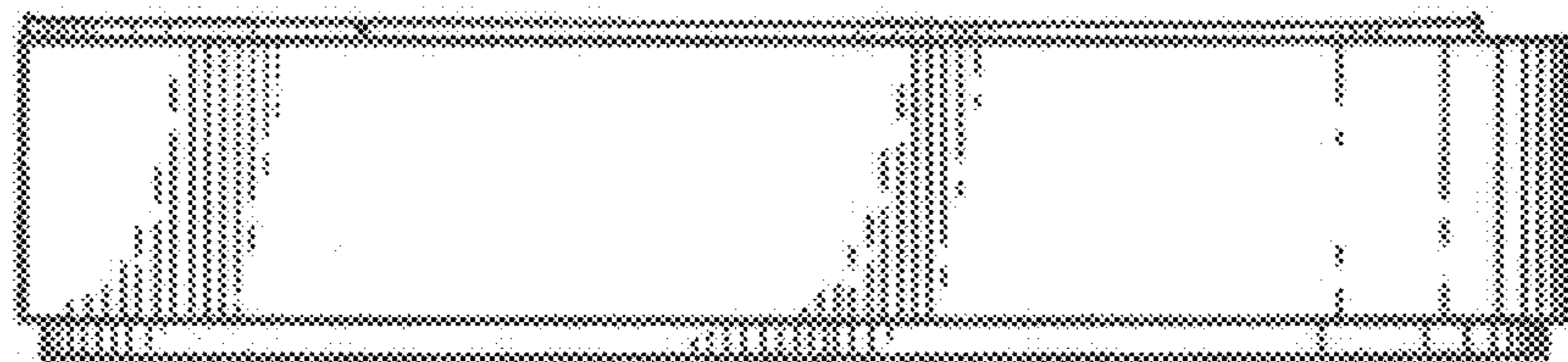


FIG. 4

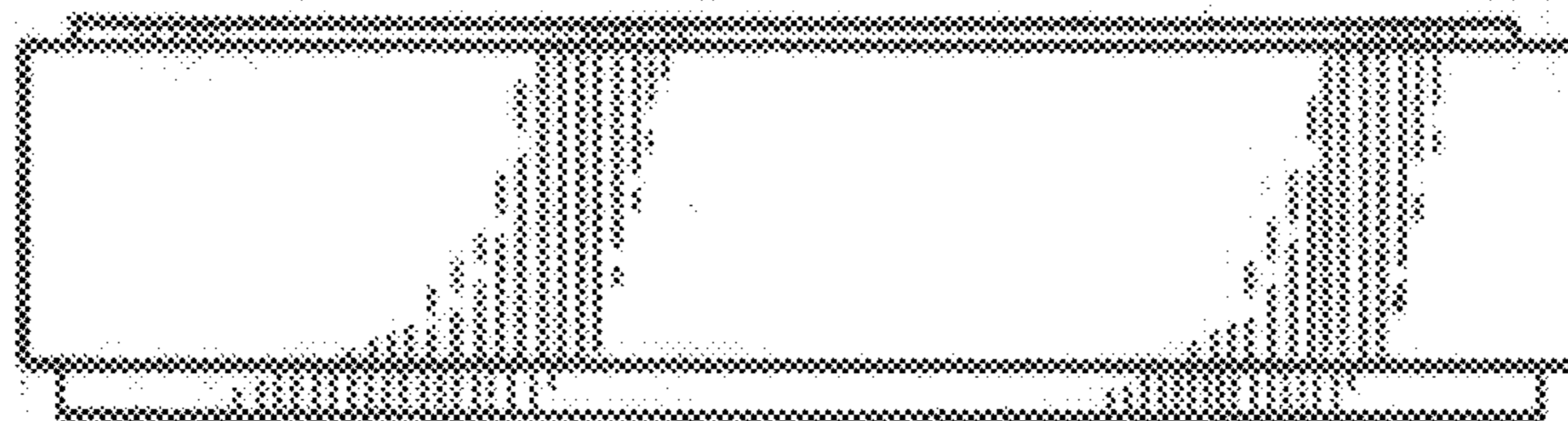


FIG. 5

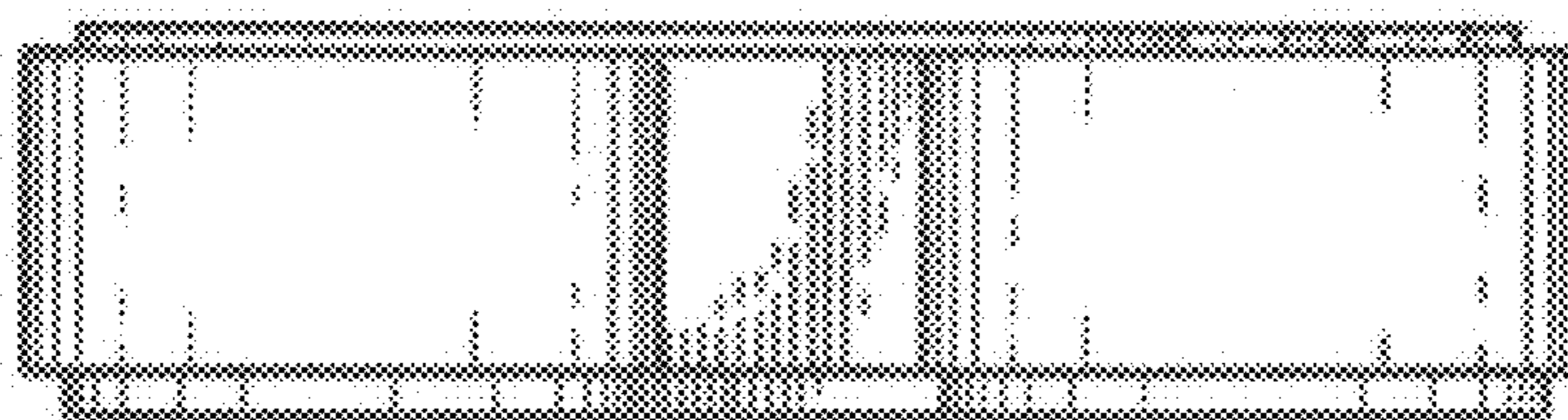


FIG. 6