



US00D682081S

(12) **United States Design Patent**  
**Crawford**

(10) **Patent No.:** **US D682,081 S**

(45) **Date of Patent:** **\*\* May 14, 2013**

(54) **SINGLE DIAMOND DOOR CHOCK**

(76) Inventor: **Allin L. Crawford**, Vilonia, AR (US)

(\*\*) Term: **14 Years**

(21) Appl. No.: **29/412,919**

(22) Filed: **Feb. 9, 2012**

(51) **LOC (9) Cl.** ..... **08-09**

(52) **U.S. Cl.**  
USPC ..... **D8/402**

(58) **Field of Classification Search** ..... D8/395,  
D8/400-404, 499, 391, 393, 388, 360; D9/456,  
D9/614, 623, 628, 640, 673; 160/181; D21/385,  
D21/418, 426, 430, 441, 447-449, 51, 499,  
D21/582, 587, 593, 594, 621; 40/331, 599;  
16/71, 82, 83, 375, 342, 85, 86 B; D28/91.1,  
D28/38, 39, 54.1; D11/36, 32, 53, 78.1,  
D11/101, 113, 136, 150, 160, 162; D6/332,  
D6/553-574; D20/19, 42, 43; D19/34.1,  
D19/34.5, 65, 90; 292/343, 342; 248/188.2;  
D25/38.1; D29/124

See application file for complete search history.

(56) **References Cited**

**U.S. PATENT DOCUMENTS**

D28,358 S \* 3/1898 Gays ..... D8/499  
4,831,688 A \* 5/1989 Deininger ..... 16/319  
D303,756 S \* 10/1989 Meyers ..... D8/402  
5,027,471 A \* 7/1991 Barnes ..... 16/86 R  
5,450,652 A \* 9/1995 Webb ..... 16/82  
D379,299 S \* 5/1997 Fitzgibbons ..... D8/402  
D399,009 S \* 9/1998 Victor et al. .... D25/38.1

D518,897 S \* 4/2006 Walker ..... D25/38.1  
D519,215 S \* 4/2006 Walker ..... D25/38.1  
D556,342 S \* 11/2007 Walker ..... D25/38.1  
D620,348 S \* 7/2010 Leung ..... D8/402  
D635,453 S \* 4/2011 Giles ..... D8/402  
2010/0242226 A1 \* 9/2010 Hopkins et al. .... 16/82

**OTHER PUBLICATIONS**

Diamond Door Chocks, 2012, [online], [site visited Dec. 18, 2012].  
Available from Internet, <URL: <http://diamonddoorchocks.com/>>.\*

\* cited by examiner

*Primary Examiner* — Robert M Spear

*Assistant Examiner* — Janice Hallmark

(74) *Attorney, Agent, or Firm* — Davidson Law Firm; Robert  
E. Fahr, Jr.; David L. Gershner

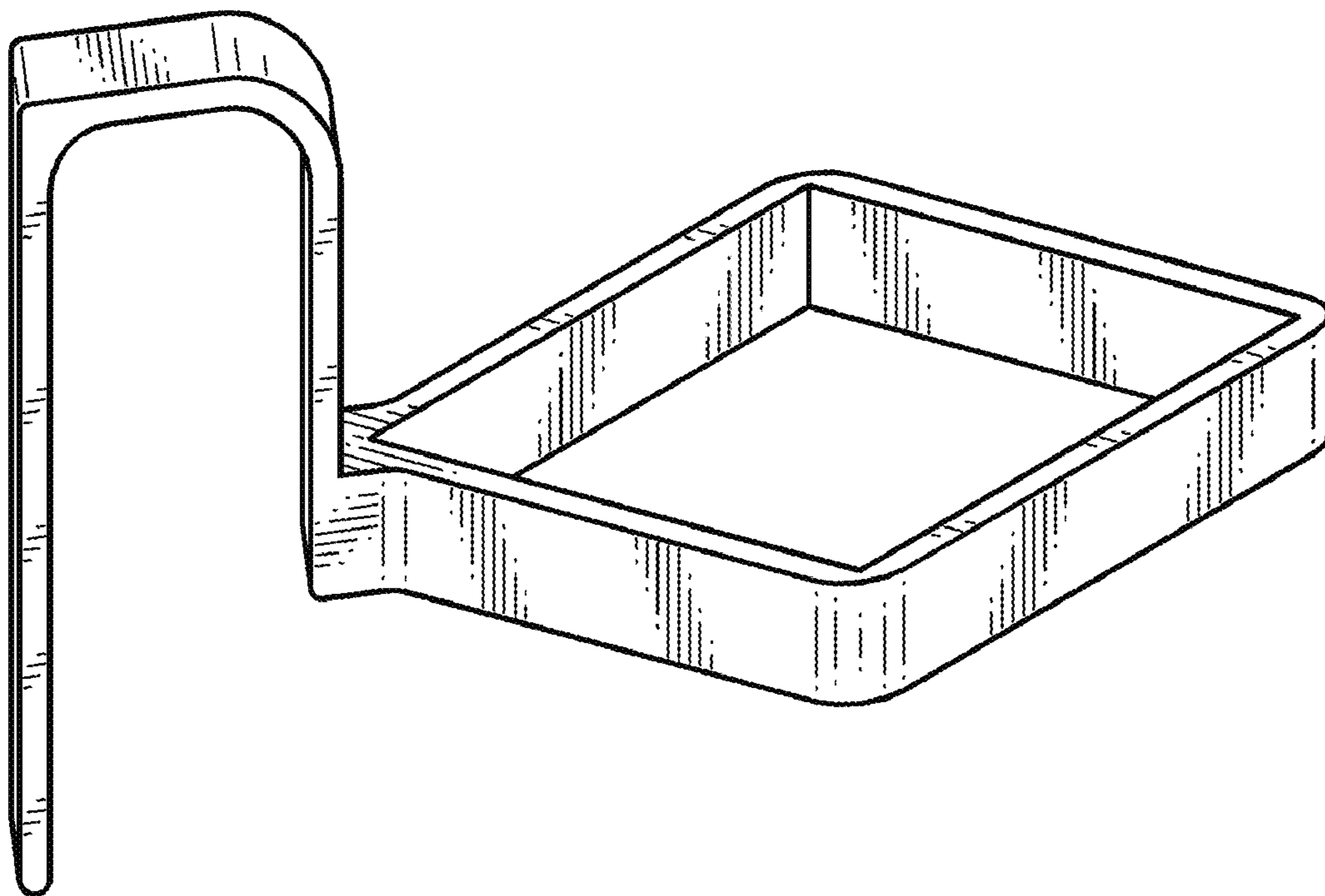
(57) **CLAIM**

The ornamental design for a single diamond door chock, as  
shown and described.

**DESCRIPTION**

FIG. 1 is a side perspective view of a single diamond door  
chock showing the top, and left of my new design;  
FIG. 2 is a left side view thereof;  
FIG. 3 is a top plan view thereof;  
FIG. 4 is a bottom plan view thereof;  
FIG. 5 is a rear view thereof; and,  
FIG. 6 is a front view thereof.

**1 Claim, 3 Drawing Sheets**



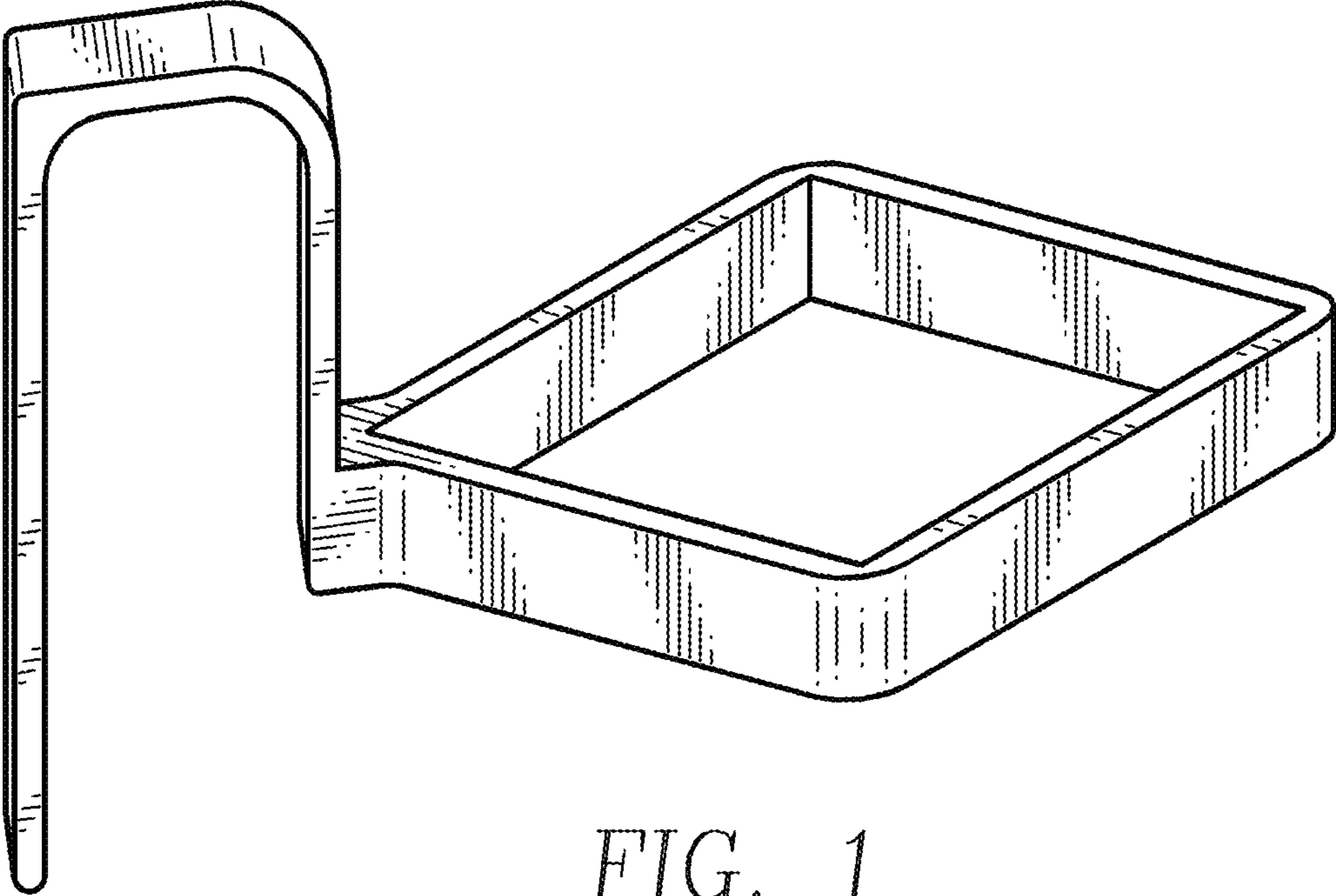


FIG. 1

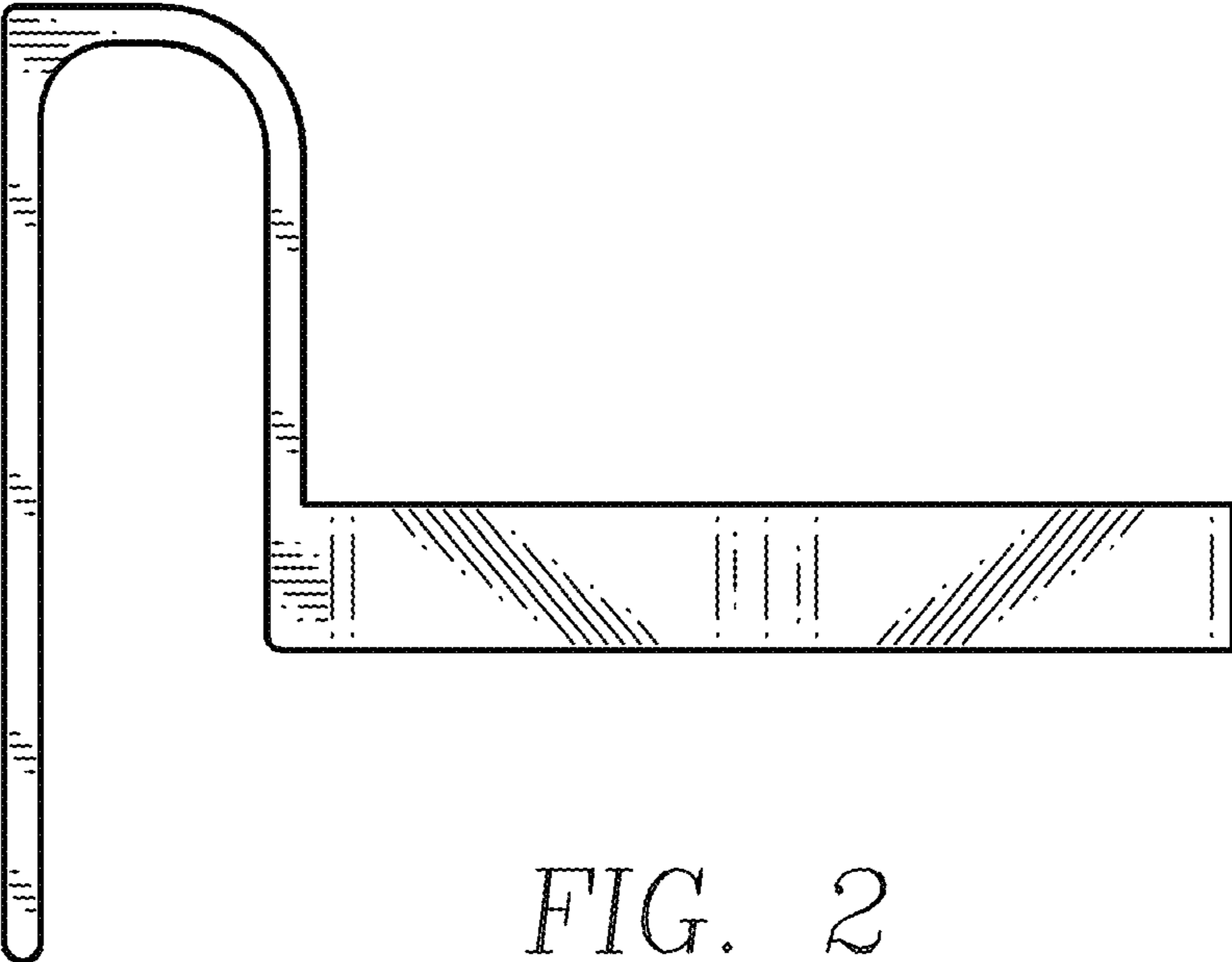


FIG. 2

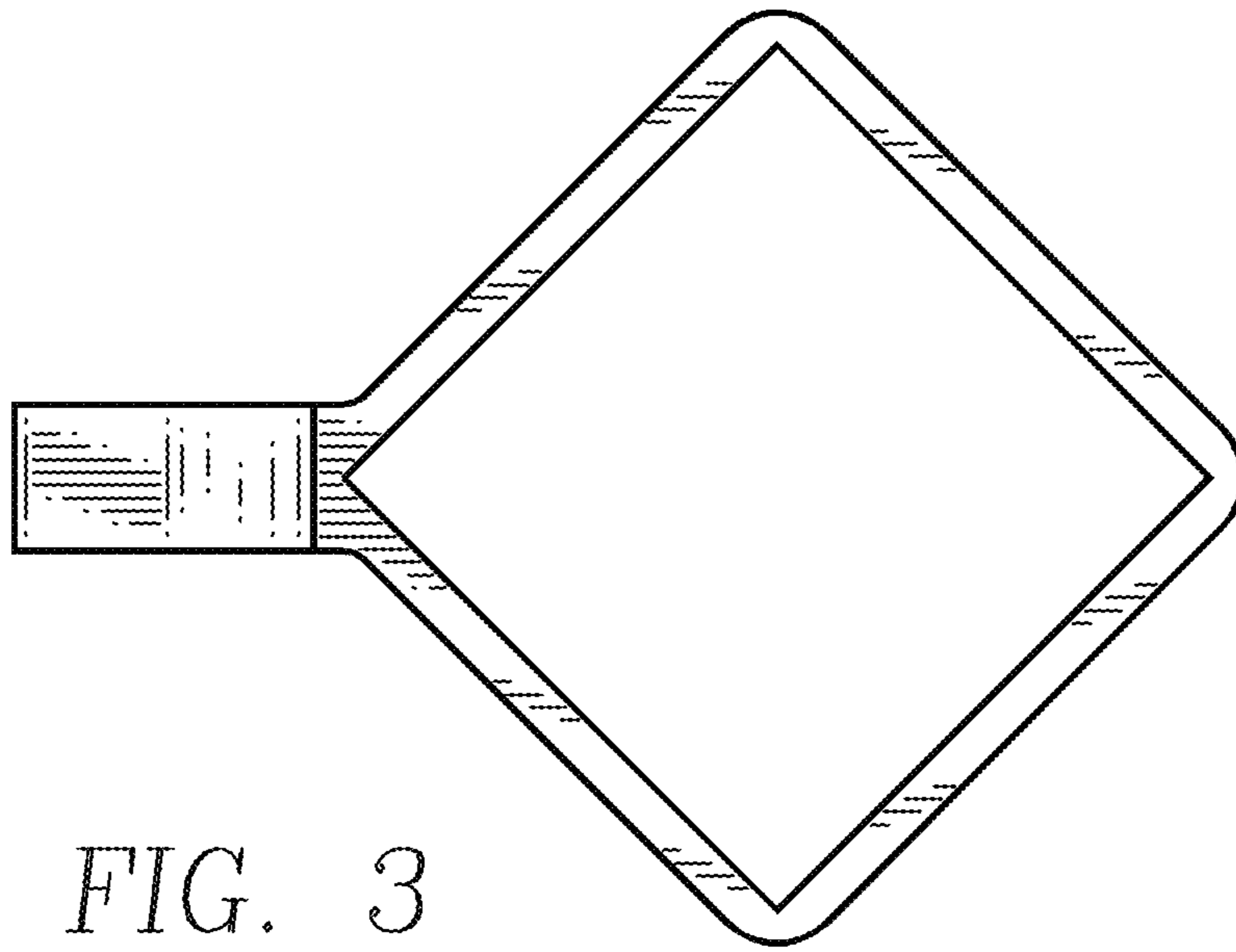


FIG. 3

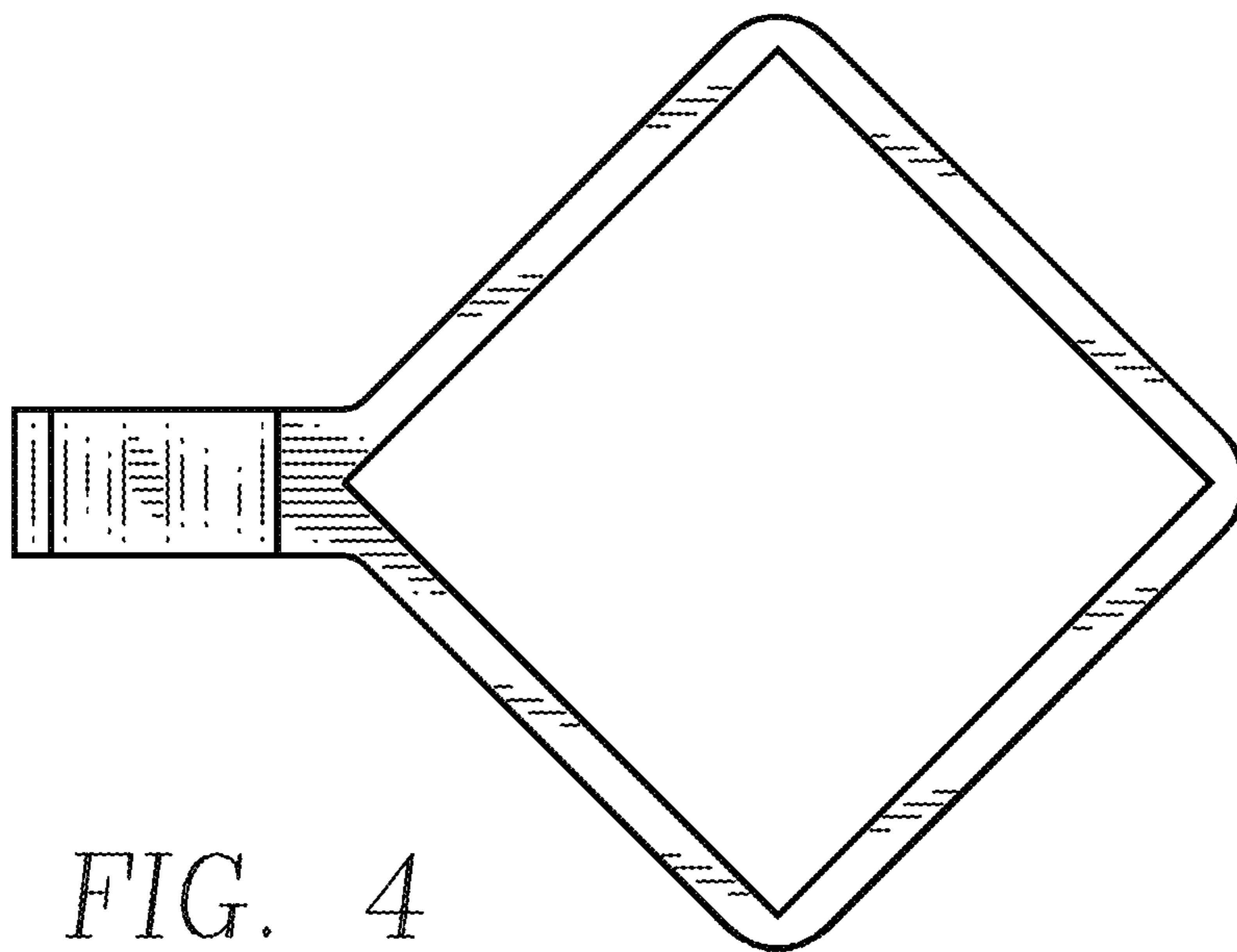


FIG. 4

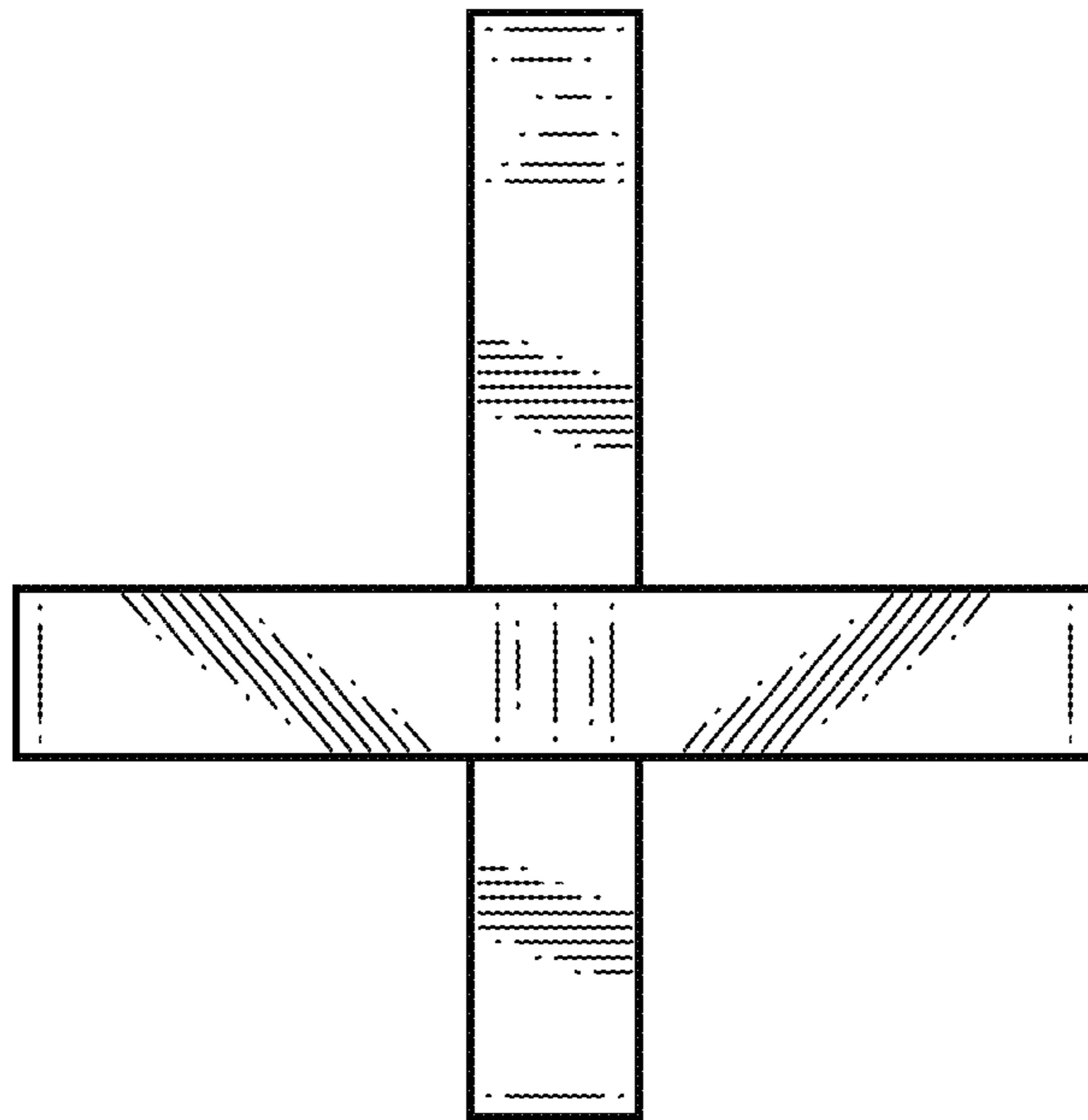


FIG. 5

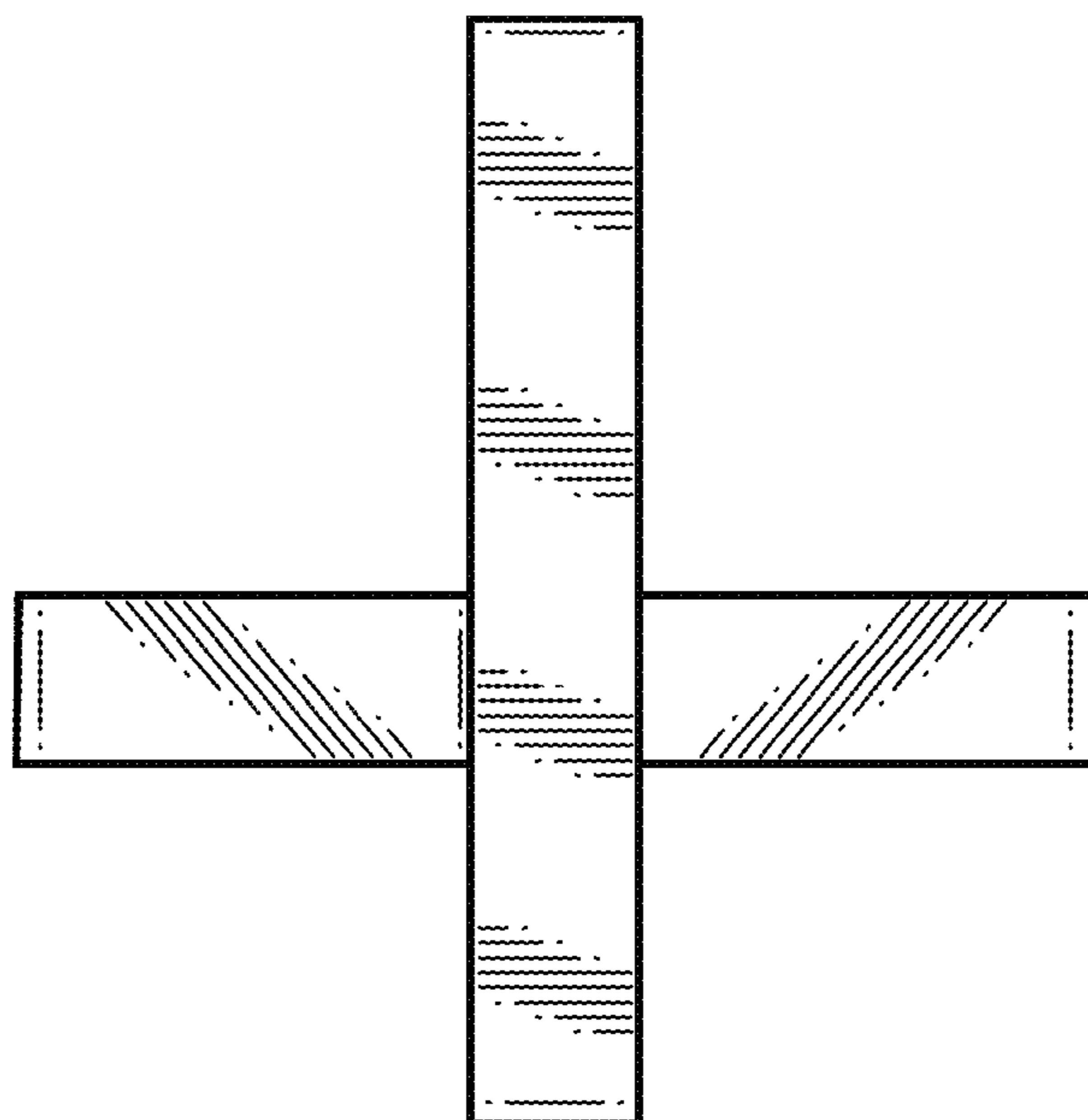


FIG. 6