



US00D682080S

(12) **United States Design Patent**
Borovicka et al.

(10) **Patent No.:** **US D682,080 S**

(45) **Date of Patent:** **** May 14, 2013**

(54) **BARBECUE GRILL CLIP**

(75) Inventors: **Cory Thomas Borovicka**, Oakland, CA (US); **Jane Rabanal**, Oakland, CA (US)

(73) Assignee: **Charcoal Companion Incorporated**, Emeryville, CA (US)

(**) Term: **14 Years**

(21) Appl. No.: **29/398,870**

(22) Filed: **Aug. 5, 2011**

(51) **LOC (9) Cl.** **08-08**

(52) **U.S. Cl.**
USPC **D8/395**

(58) **Field of Classification Search** D8/394-396,
D8/72, 367, 373; D19/56, 65, 86; 24/67.3;
D32/60-64; D28/40

See application file for complete search history.

(56) **References Cited**

U.S. PATENT DOCUMENTS

2,849,008	A *	8/1958	Otten	132/277
D203,314	S	12/1965	Thatcher		
4,057,313	A	11/1977	Polizzano		
5,065,622	A *	11/1991	Veenstra	73/170.05
D365,018	S *	12/1995	Ellis et al.	D8/395
5,956,812	A *	9/1999	Moennig	24/3.3
D450,620	S *	11/2001	Simpson	D11/130
D476,556	S *	7/2003	Martin et al.	D8/395
D478,722	S *	8/2003	Parker	D3/215
7,175,145	B2 *	2/2007	Simpson	248/231.81
D571,647	S *	6/2008	La Quay et al.	D8/395

D578,781	S *	10/2008	Hansen	D6/328
D595,124	S *	6/2009	Heffner	D8/395
7,631,648	B2 *	12/2009	Kirby	132/276
D615,856	S *	5/2010	Redding, Jr.	D8/395
8,240,318	B2 *	8/2012	Choi	132/277
D673,032	S *	12/2012	Tak et al.	D8/395
2009/0194131	A1 *	8/2009	Kim	132/277
2011/0023905	A1 *	2/2011	Choi	132/277
2011/0106103	A1 *	5/2011	Levi	606/133

* cited by examiner

Primary Examiner — John Windmuller

(74) *Attorney, Agent, or Firm* — Beeson Skinner Beverly, LLP

(57) **CLAIM**

The ornamental design for a barbecue grill clip, as shown and described.

DESCRIPTION

FIG. 1 is a top perspective view of a barbecue grill clip showing our new design;

FIG. 2 is another top perspective view thereof showing the clip in an open position;

FIG. 3 is a front elevational view thereof;

FIG. 4 is a side elevational view thereof;

FIG. 5 is a rear elevational view thereof;

FIG. 6 is a top plan view thereof; and,

FIG. 7 is a bottom plan view thereof.

The broken lines showing of a spring and a spring support post are for illustrative purposes only; the broken lines form no part of the claimed design.

1 Claim, 2 Drawing Sheets

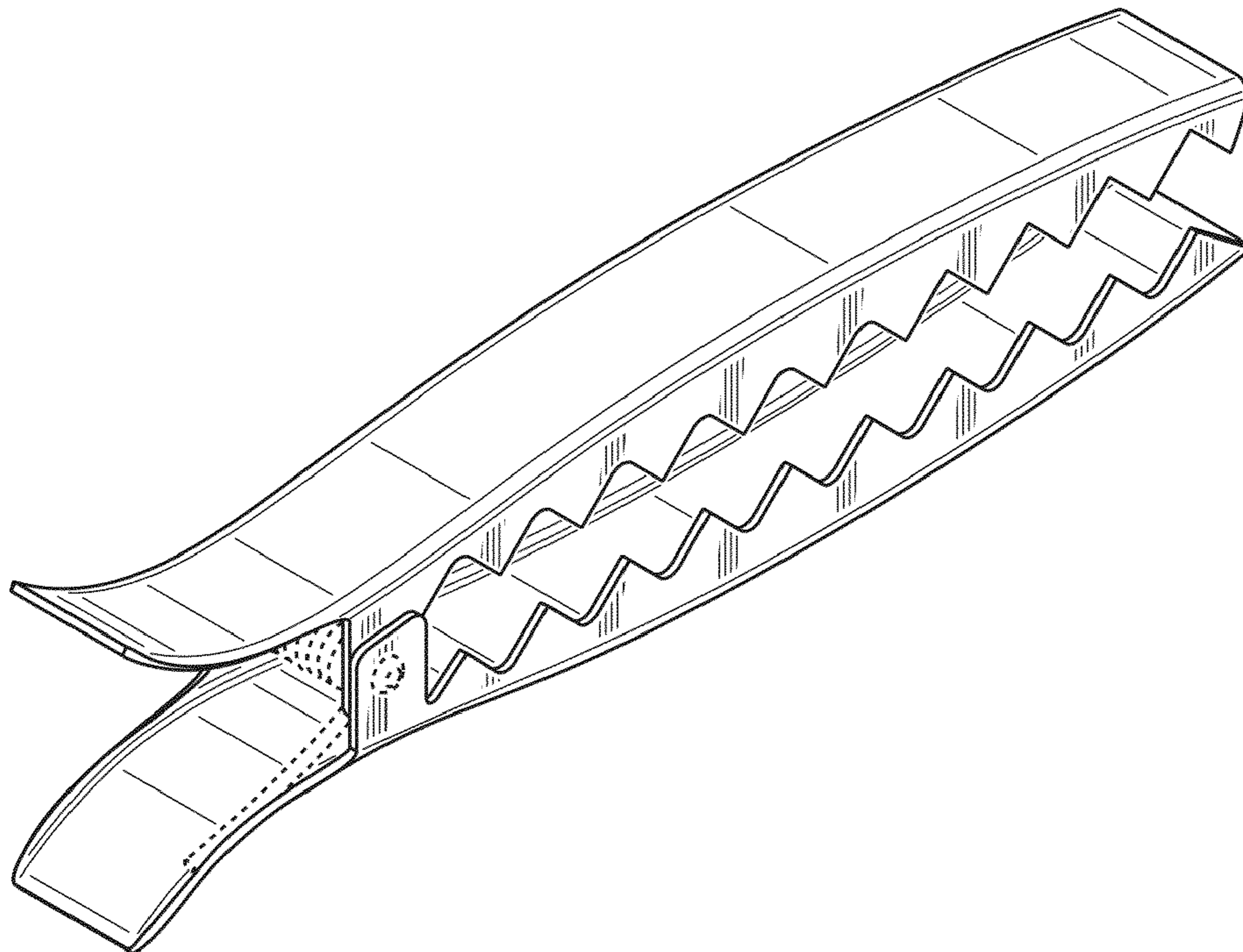


FIG. 1

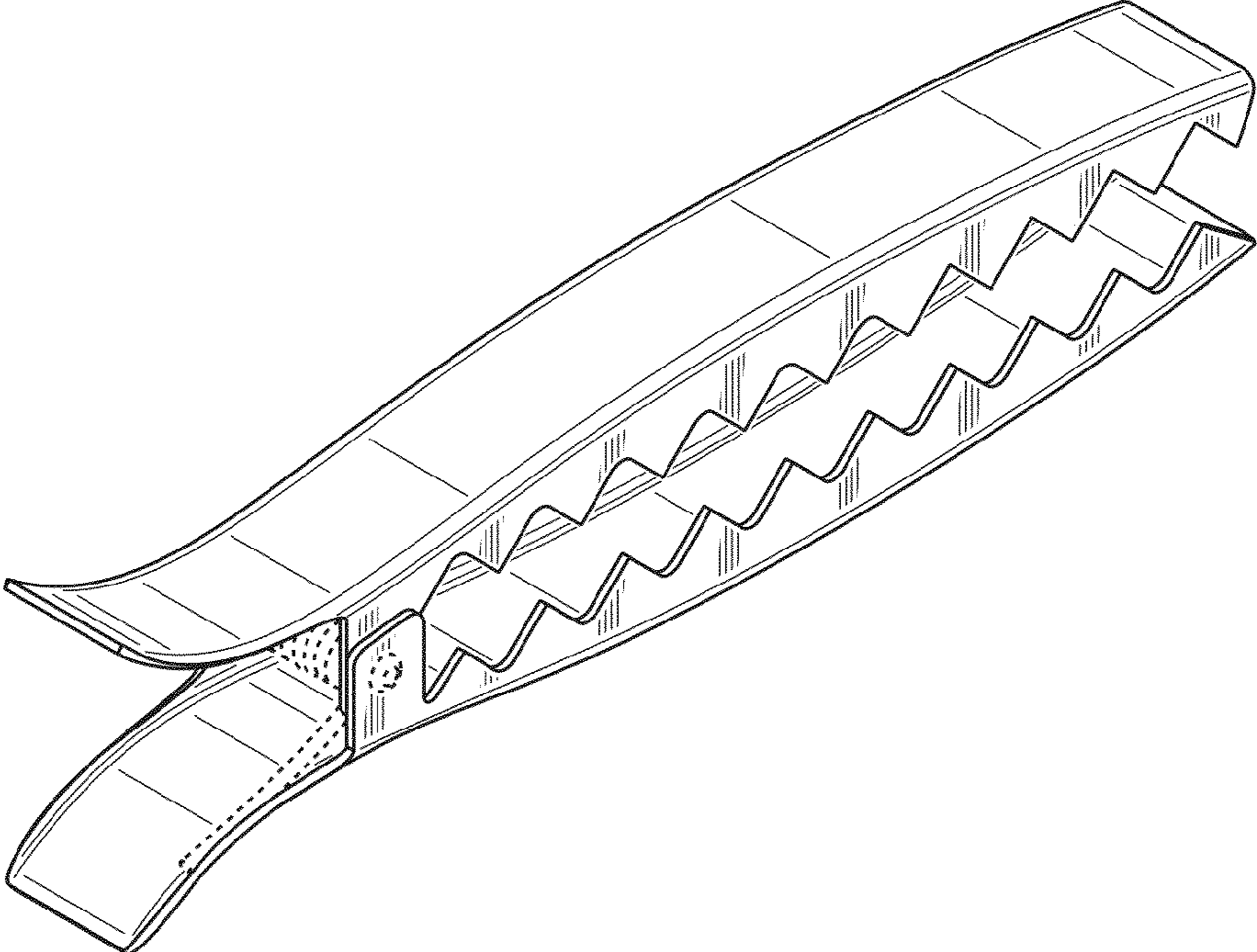
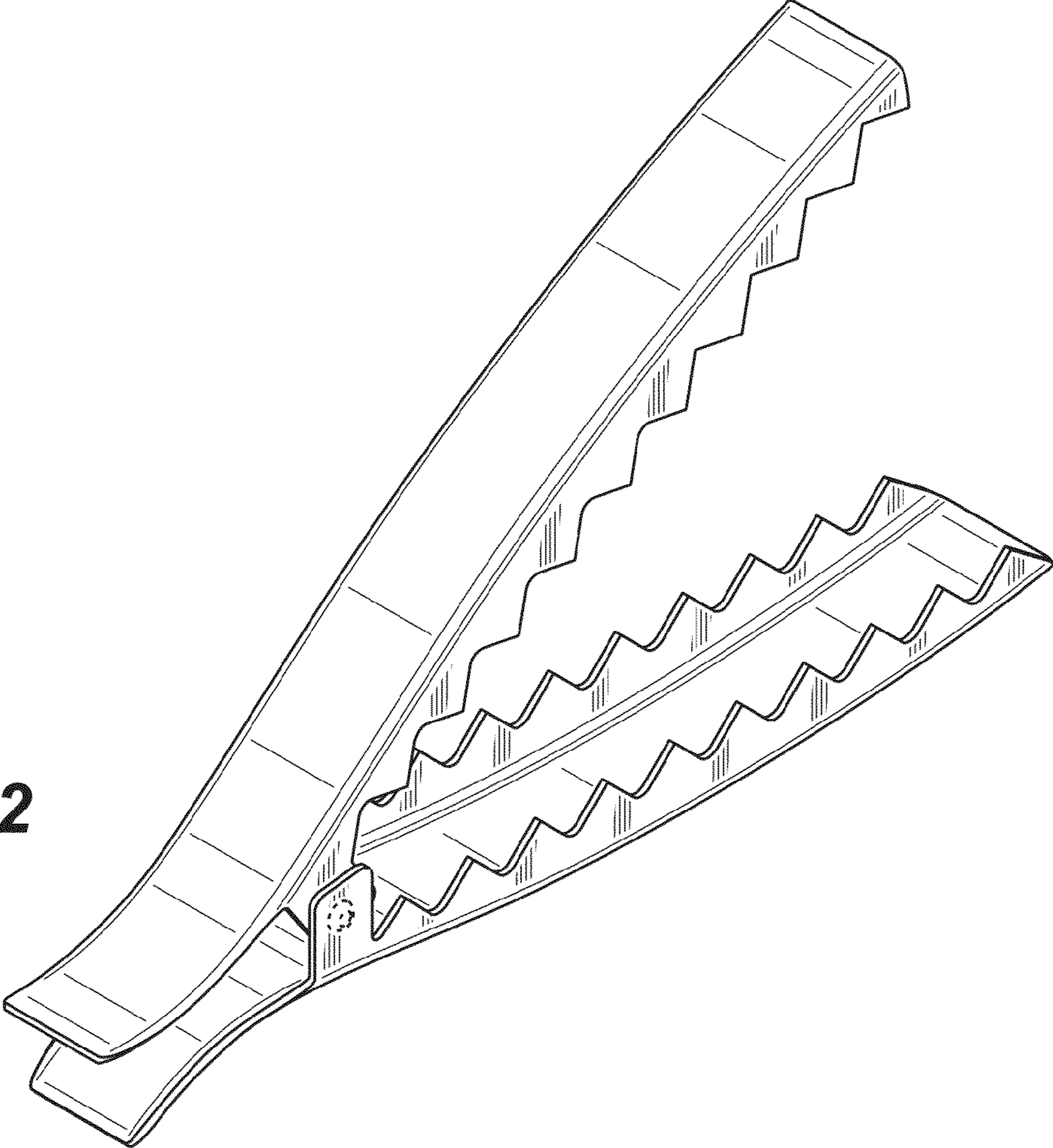


FIG. 2



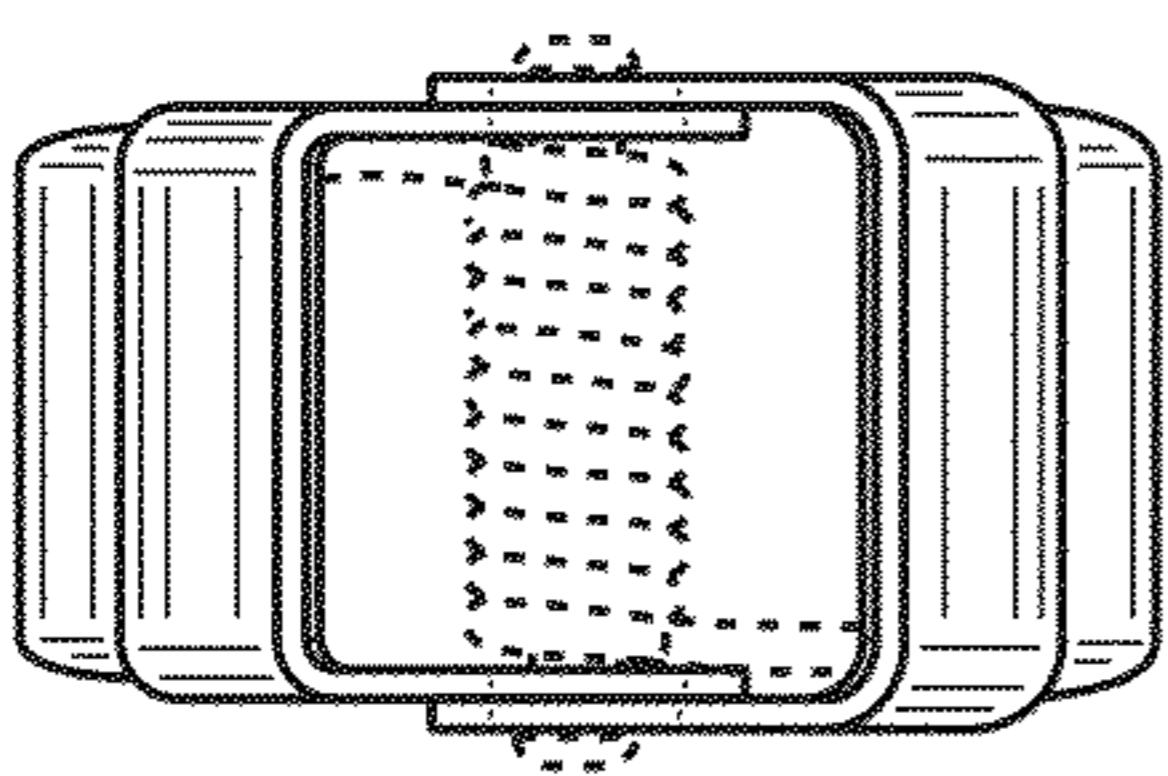


FIG. 3

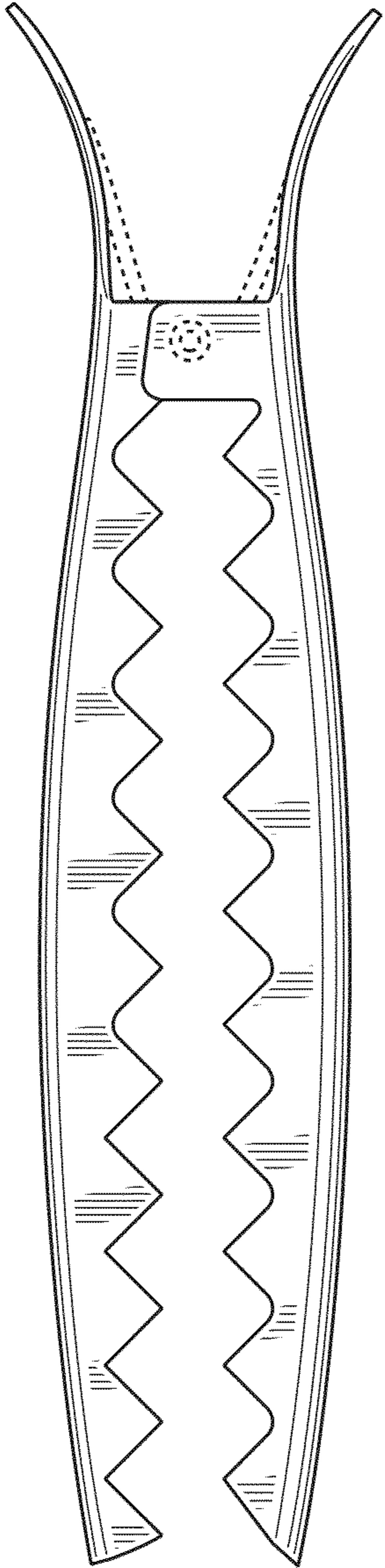


FIG. 4

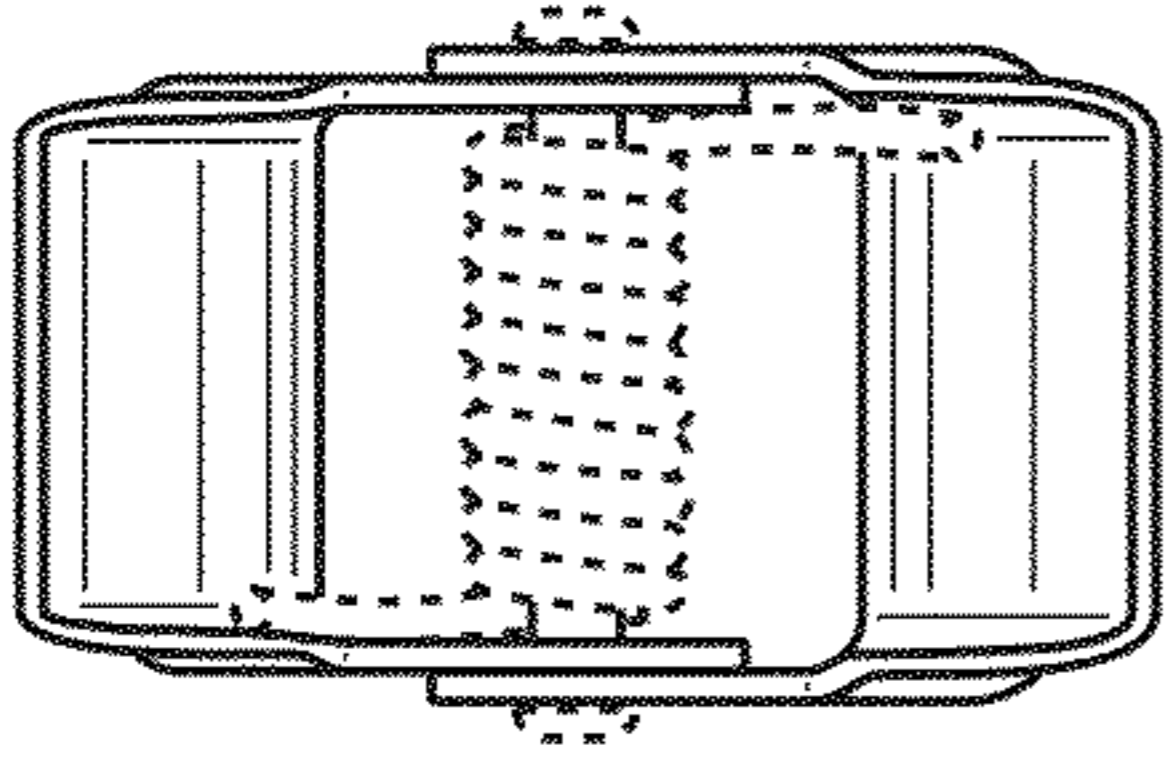


FIG. 5

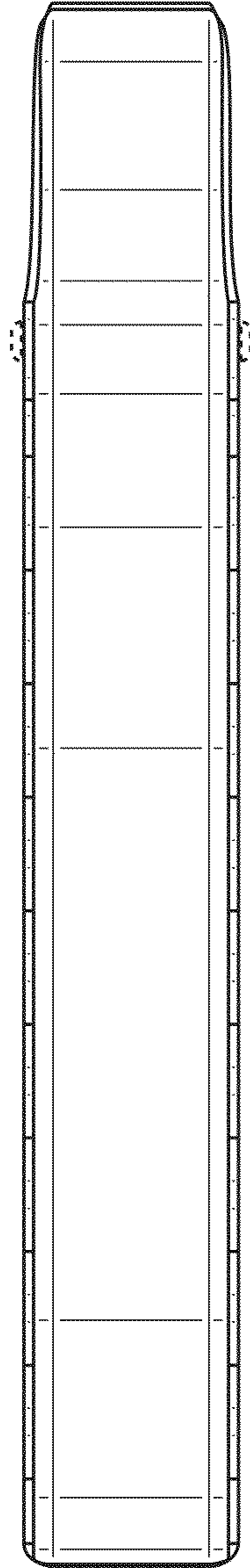


FIG. 6

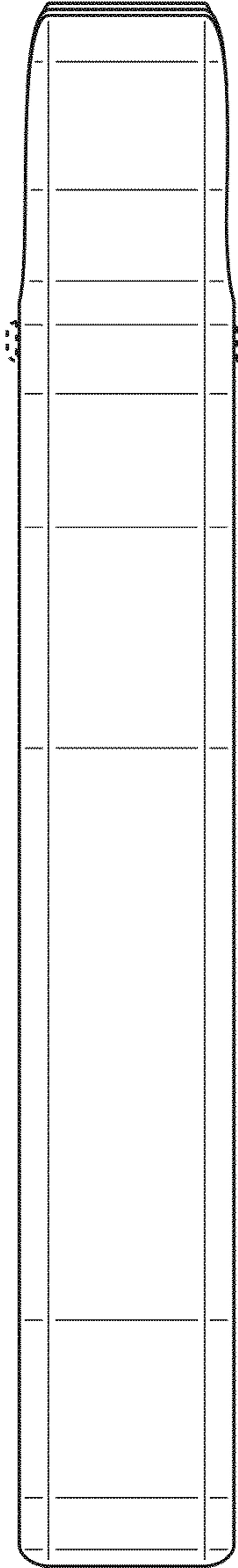


FIG. 7