



US00D682079S

(12) **United States Design Patent**
Chou

(10) **Patent No.:** **US D682,079 S**

(45) **Date of Patent:** **** May 14, 2013**

(54) **SURFACE MOUNT BRACKET**

(75) Inventor: **Feng-Chih Chou**, Taipei (TW)

(73) Assignee: **Tri-Net Electronics Co. Ltd.**, Taipei (TW)

(**) Term: **14 Years**

(21) Appl. No.: **29/419,106**

(22) Filed: **Apr. 25, 2012**

(30) **Foreign Application Priority Data**

Oct. 26, 2011 (TW) 100220078

(51) **LOC (9) Cl.** **08-05**

(52) **U.S. Cl.**
USPC **D8/380**

(58) **Field of Classification Search** D8/404,
D8/394, 381, 380, 354, 350, 349, 31, 20,
D8/19, 17, 16, 14; D21/759; 7/100; 254/131
See application file for complete search history.

(56) **References Cited**

U.S. PATENT DOCUMENTS

D486,791 S * 2/2004 Franks, Jr. D8/354
D587,100 S * 2/2009 Allsopp D8/394
D638,694 S * 5/2011 Misch D8/380
D646,840 S * 10/2011 Polka et al. D26/138

D653,528 S * 2/2012 Choi et al. D8/381
D663,020 S * 7/2012 Purnell D23/386
D667,288 S * 9/2012 Preda D8/354
D667,289 S * 9/2012 Preda D8/354

* cited by examiner

Primary Examiner — Susan Bennett Hattan

(74) *Attorney, Agent, or Firm* — Ming Chow; Sinorica, LLC

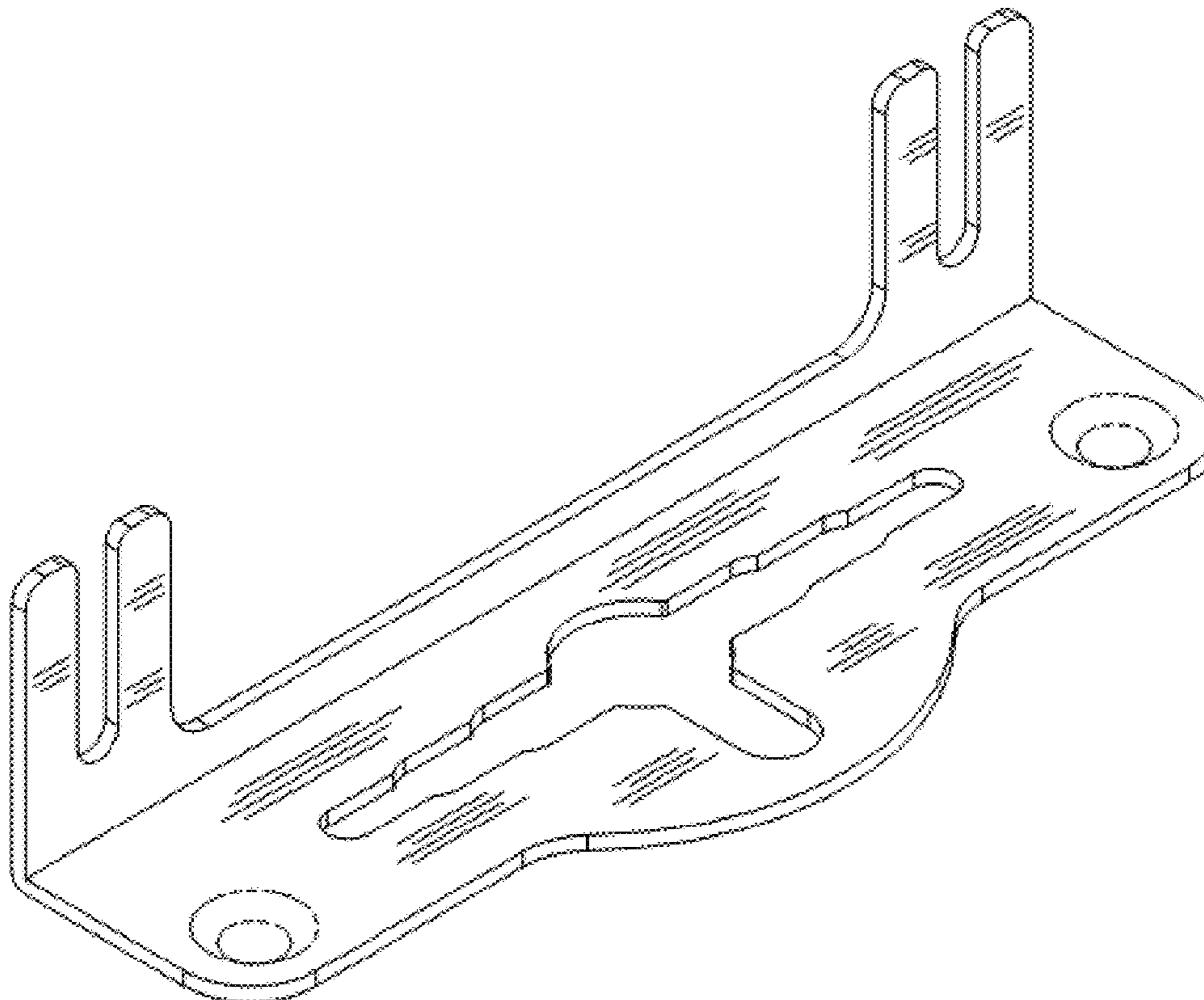
(57) **CLAIM**

I claim the ornamental design for a surface mount bracket, as shown and described.

DESCRIPTION

FIG. 1 is a perspective view of a surface mount bracket of the present invention;
FIG. 2 is a top view of the surface mount bracket of FIG. 1;
FIG. 3 is a bottom view of the surface mount bracket of FIG. 1;
FIG. 4 is a left-side view of the surface mount bracket of FIG. 1;
FIG. 5 is a right-side view of the surface mount bracket of FIG. 1;
FIG. 6 is a front view of the surface mount bracket of FIG. 1; and,
FIG. 7 is a rear view of the surface mount bracket of FIG. 1.
The broken line portions of the disclosure are for illustrative purposes only and form no part of the claimed design.

1 Claim, 4 Drawing Sheets



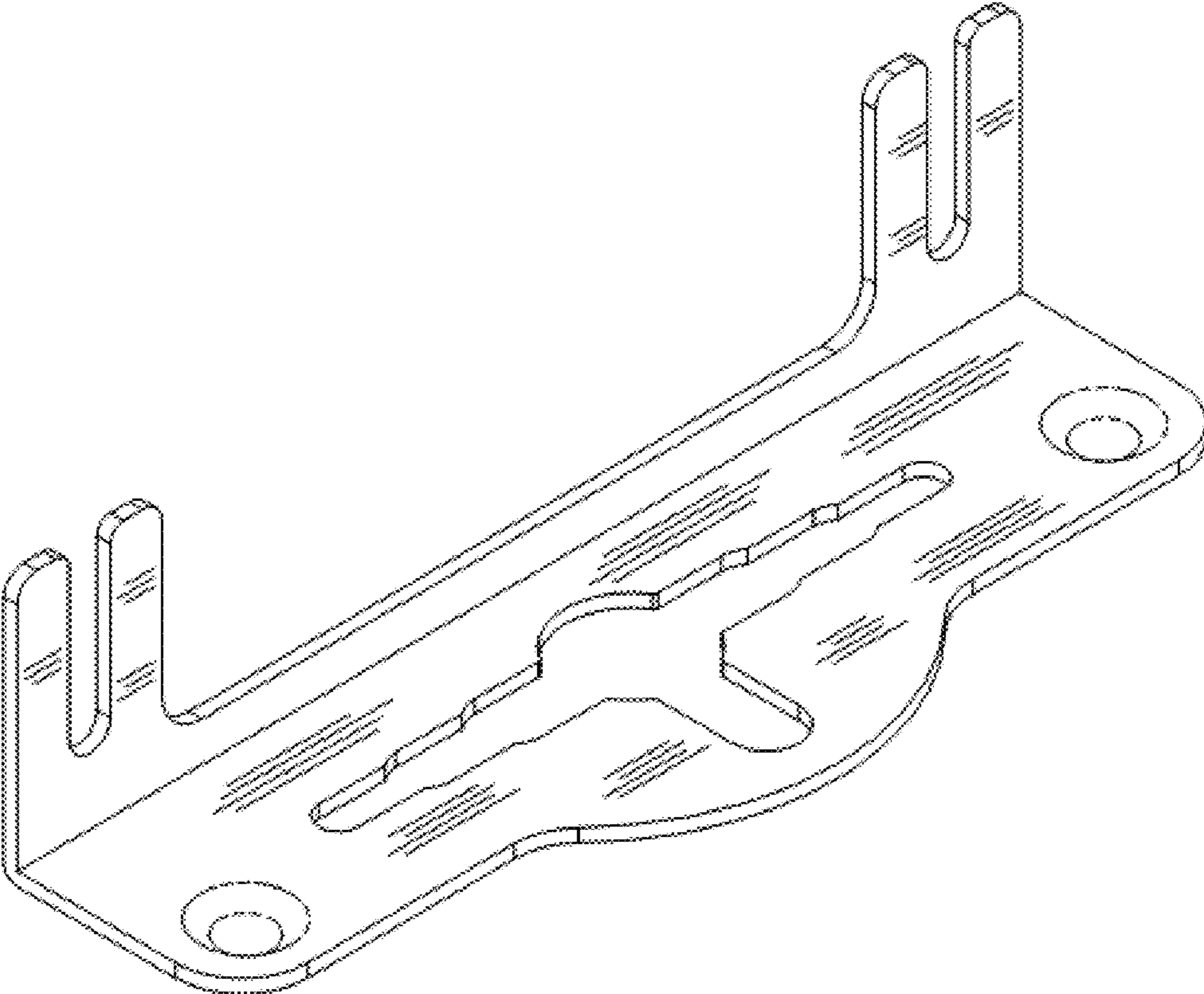


FIG. 1

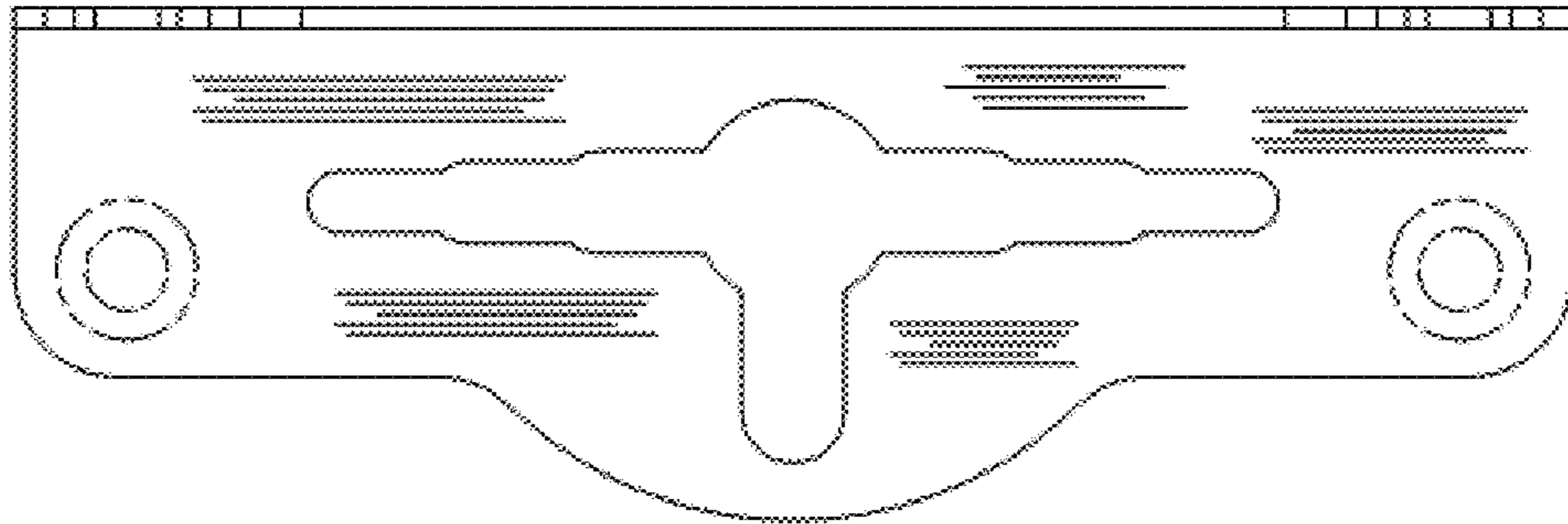


FIG. 2

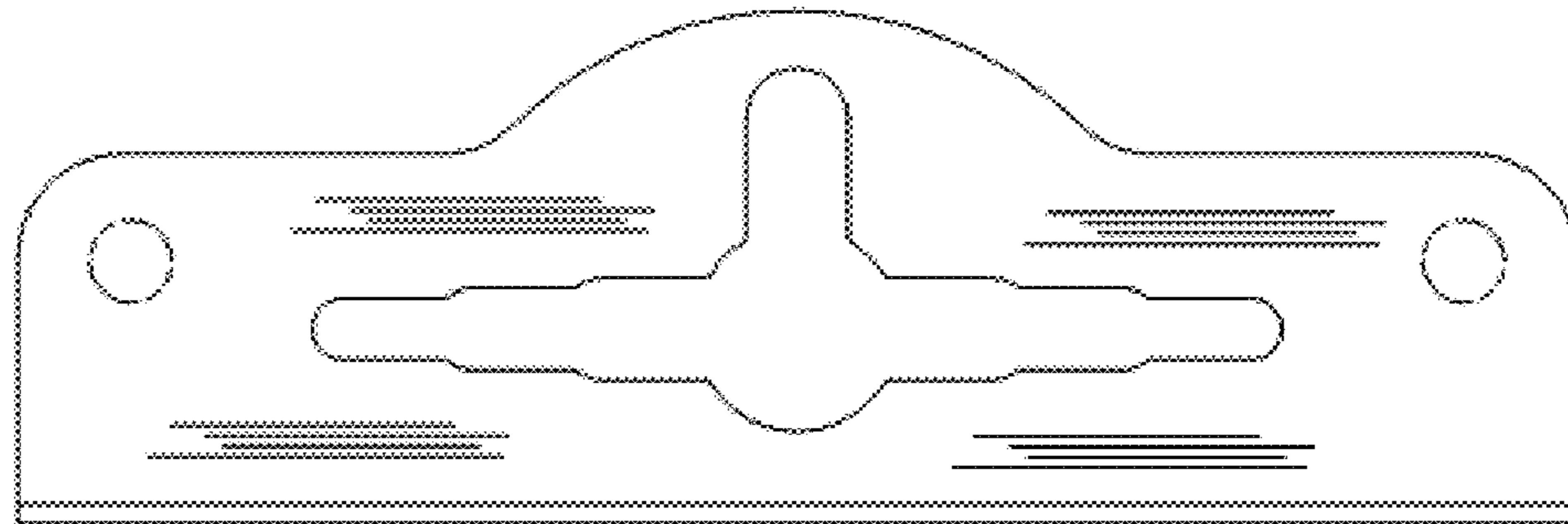


FIG. 3

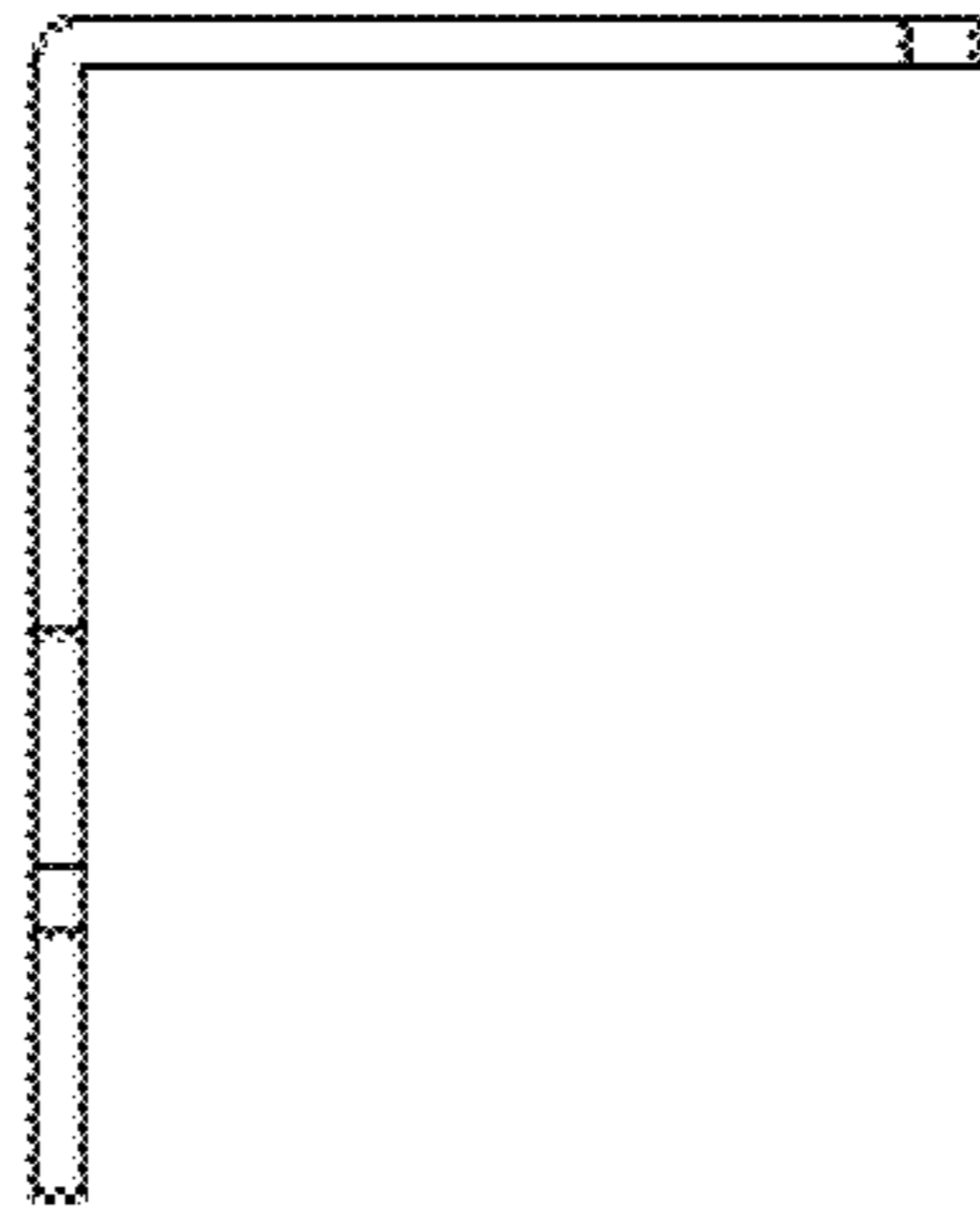


FIG. 4

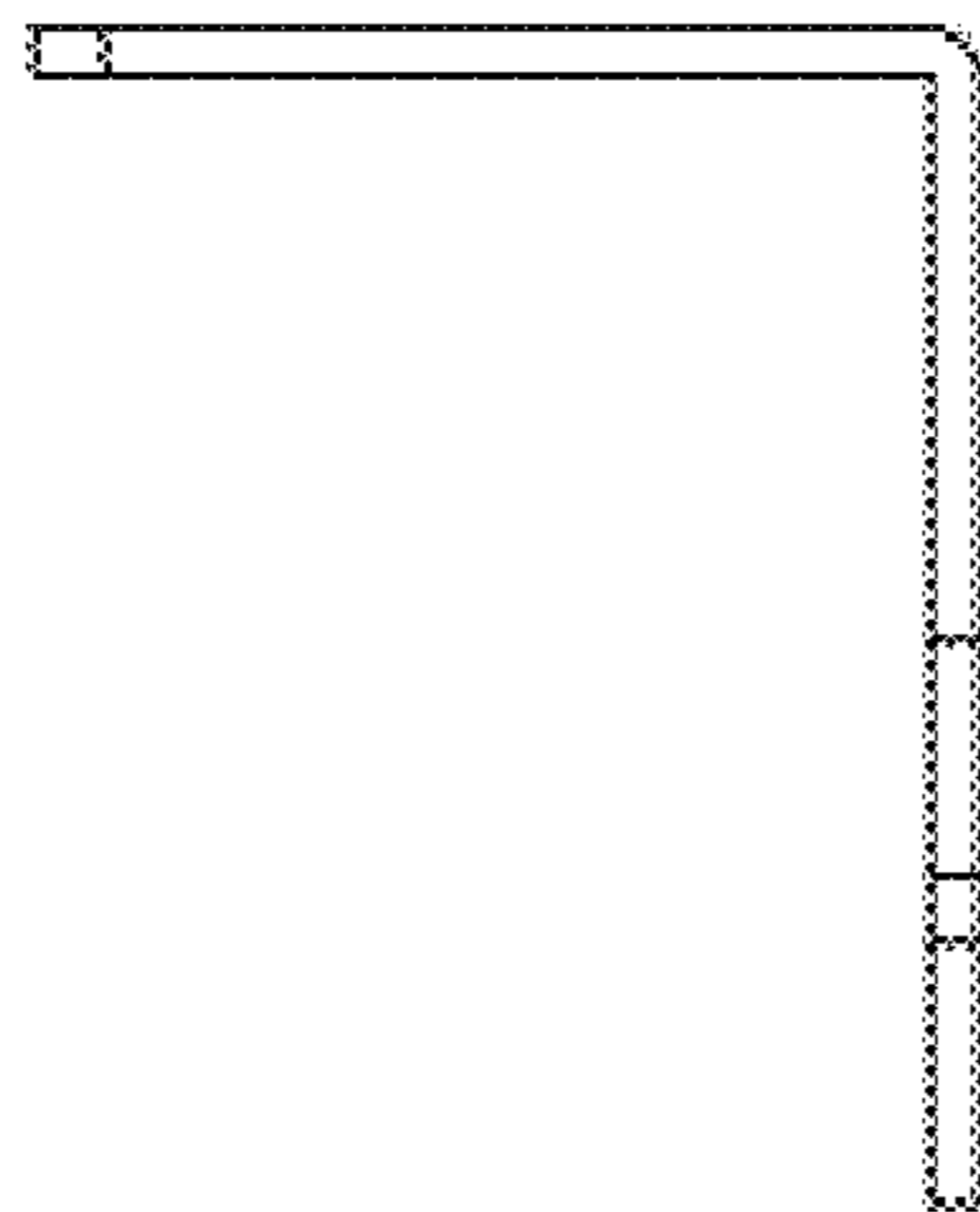


FIG. 5



FIG. 6



FIG. 7