



US00D682078S

(12) **United States Design Patent**
Chase

(10) **Patent No.:** **US D682,078 S**
(45) **Date of Patent:** **** May 14, 2013**

- (54) **FURNITURE GLIDE FOR LEG END WITH REPLACEABLE END CAP**
- (75) Inventor: **John Chase**, Rochester, MI (US)
- (73) Assignee: **Hiwatt Products, LLC**, Rochester, MI (US)
- (**) Term: **14 Years**
- (21) Appl. No.: **29/402,761**
- (22) Filed: **Sep. 27, 2011**
- (51) **LOC (9) Cl.** **08-05**
- (52) **U.S. Cl.**
USPC **D8/374**
- (58) **Field of Classification Search** D8/374;
248/188.1, 188.8–188.9, 346.01–346.02;
16/42 R, 42 T
See application file for complete search history.

3,641,620 A	2/1972	Hage
4,731,901 A	3/1988	Daniels
4,754,714 A	7/1988	Drumm
5,081,740 A	1/1992	Smith
5,191,676 A	3/1993	Gerner
D336,205 S	6/1993	Cooper
5,220,705 A	6/1993	Bushey
D340,638 S	10/1993	Campbell
5,426,818 A	6/1995	Bushey
D376,753 S	12/1996	Nakamura
D383,377 S	9/1997	Sellers
5,873,144 A	2/1999	Tupper et al.
6,324,725 B1	12/2001	Green
6,405,982 B2	6/2002	Ferencz
6,471,622 B1	10/2002	Hammer et al.
6,623,082 B1	9/2003	Huang

(Continued)

FOREIGN PATENT DOCUMENTS

DE 4030557 9/1991

Primary Examiner — Holly Baynham

(74) *Attorney, Agent, or Firm* — Brooks Kushman P.C.

(56) **References Cited**

U.S. PATENT DOCUMENTS

D33,589 S	11/1900	Higgins
870,770 A	11/1907	Fuller
D44,996 S	12/1913	Buser
1,903,609 A	4/1933	Uhl
1,915,272 A	6/1933	Duncan, Jr.
1,921,561 A	8/1933	Christmas
2,457,723 A	12/1948	Pura
D167,876 S	9/1952	Auer
2,637,063 A	5/1953	Becker
2,641,016 A	6/1953	Kramcsak, Jr.
2,644,978 A	7/1953	Becker
2,687,547 A	8/1954	Matter
D173,835 S	1/1955	Chapman et al.
2,738,541 A	3/1956	Thornsbury
2,875,552 A	3/1959	Stillman
2,902,794 A	8/1959	Ehrgott
3,191,213 A	6/1965	Congdon
3,363,280 A	1/1968	Vasseur
3,389,421 A	6/1968	Wheeler

(57) **CLAIM**

The ornamental design for a furniture glide for leg end with replaceable end cap, as shown and described.

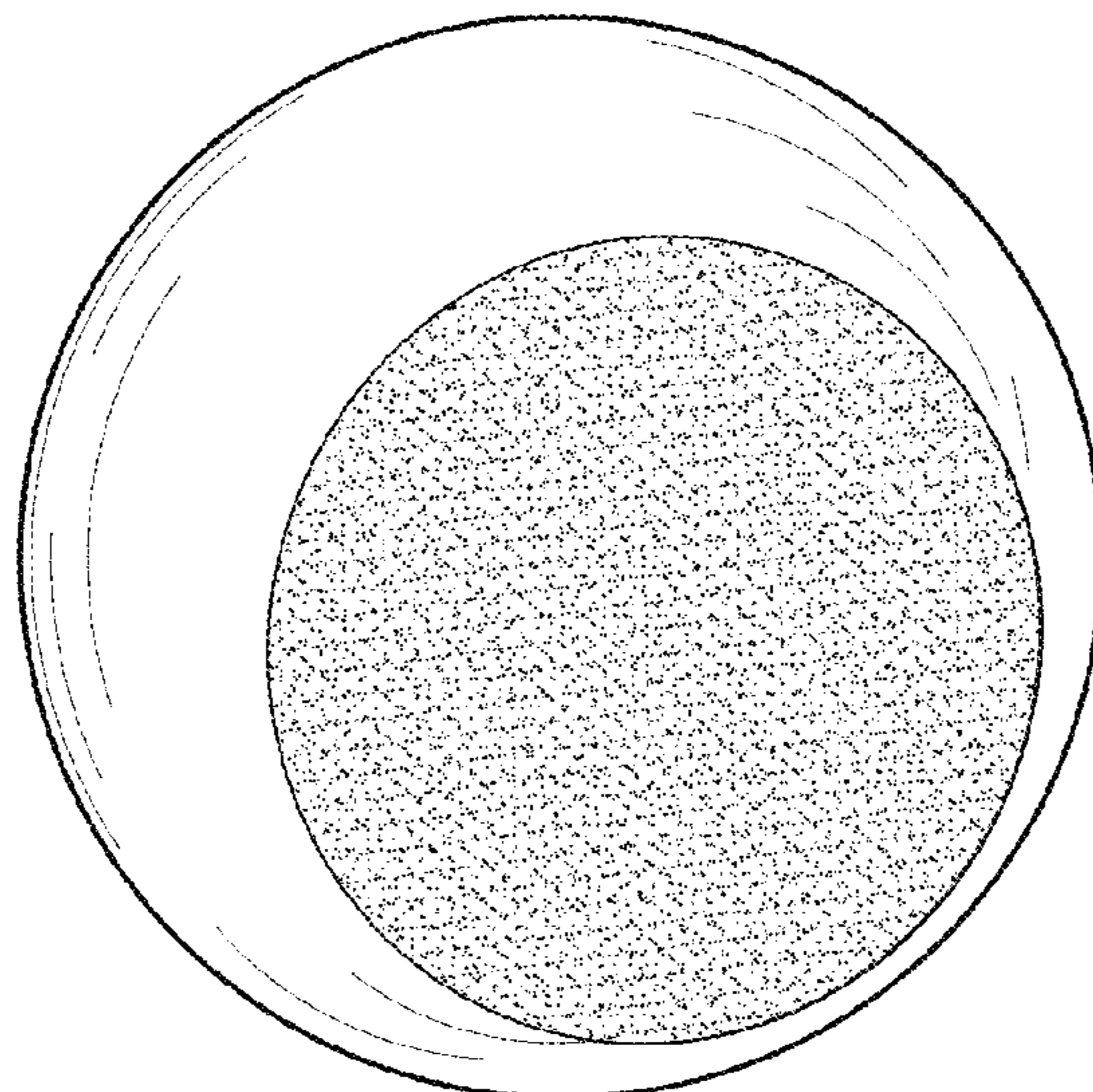
DESCRIPTION

FIG. 1 is a perspective view of the furniture glide for leg end with replaceable end cap of the present invention; FIG. 2 is a bottom plan view thereof; FIG. 3 is a side elevation view thereof; and, FIG. 4 is a top plan view thereof, partially shown in phantom lines.

The broken lines are for illustrative purposes only and form no part of the claimed design.

The broken lines showing the interior of the furniture glide are for the purposes of illustrating environment and form no part of the claimed design.

1 Claim, 2 Drawing Sheets



US D682,078 S

Page 2

U.S. PATENT DOCUMENTS			
6,626,405	B1	9/2003	Keast et al.
D487,392	S	3/2004	Chase
6,754,934	B1	6/2004	Shiffler
6,883,763	B2	4/2005	Bosman et al.
6,910,246	B2	6/2005	Desmarais
D513,169	S *	12/2005	Bushey D8/374
D513,583	S *	1/2006	Chase D8/374
D527,617	S *	9/2006	Powell et al. D8/374
7,234,200	B2	6/2007	Chase
D548,577	S	8/2007	Shiffler et al.
7,404,232	B2	7/2008	Chase
D616,289	S *	5/2010	Frankel D8/374
7,757,346	B2	7/2010	Chase
2002/0109054	A1	8/2002	Burr
2003/0163894	A1	9/2003	Jones et al.
2006/0053586	A1	3/2006	Chase
2006/0053587	A1	3/2006	Chase
2007/0186374	A1	8/2007	Thaw et al.
2008/0191106	A1	8/2008	Shiffler et al.
2008/0244870	A1	10/2008	Chase

* cited by examiner

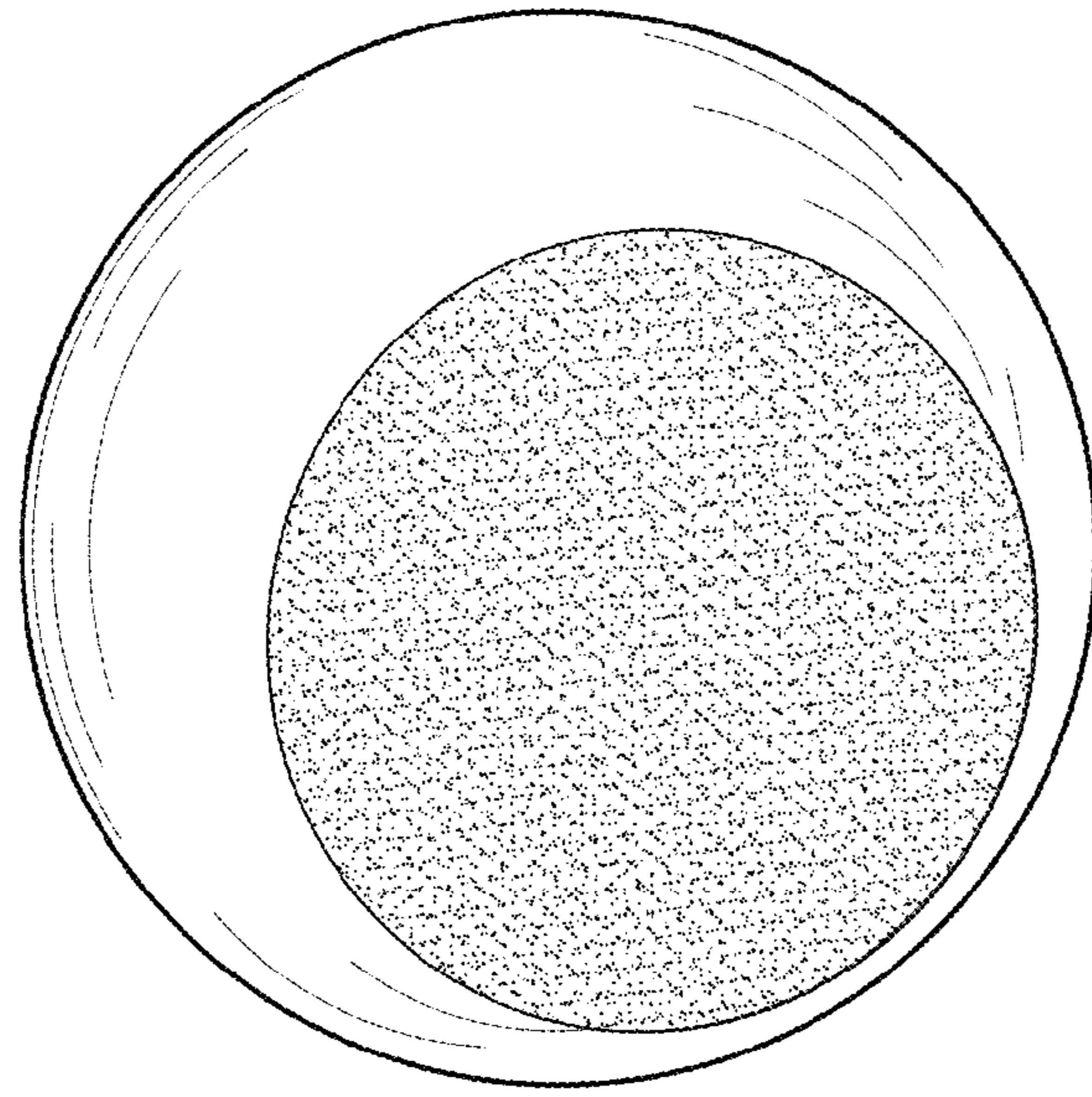


Fig-1

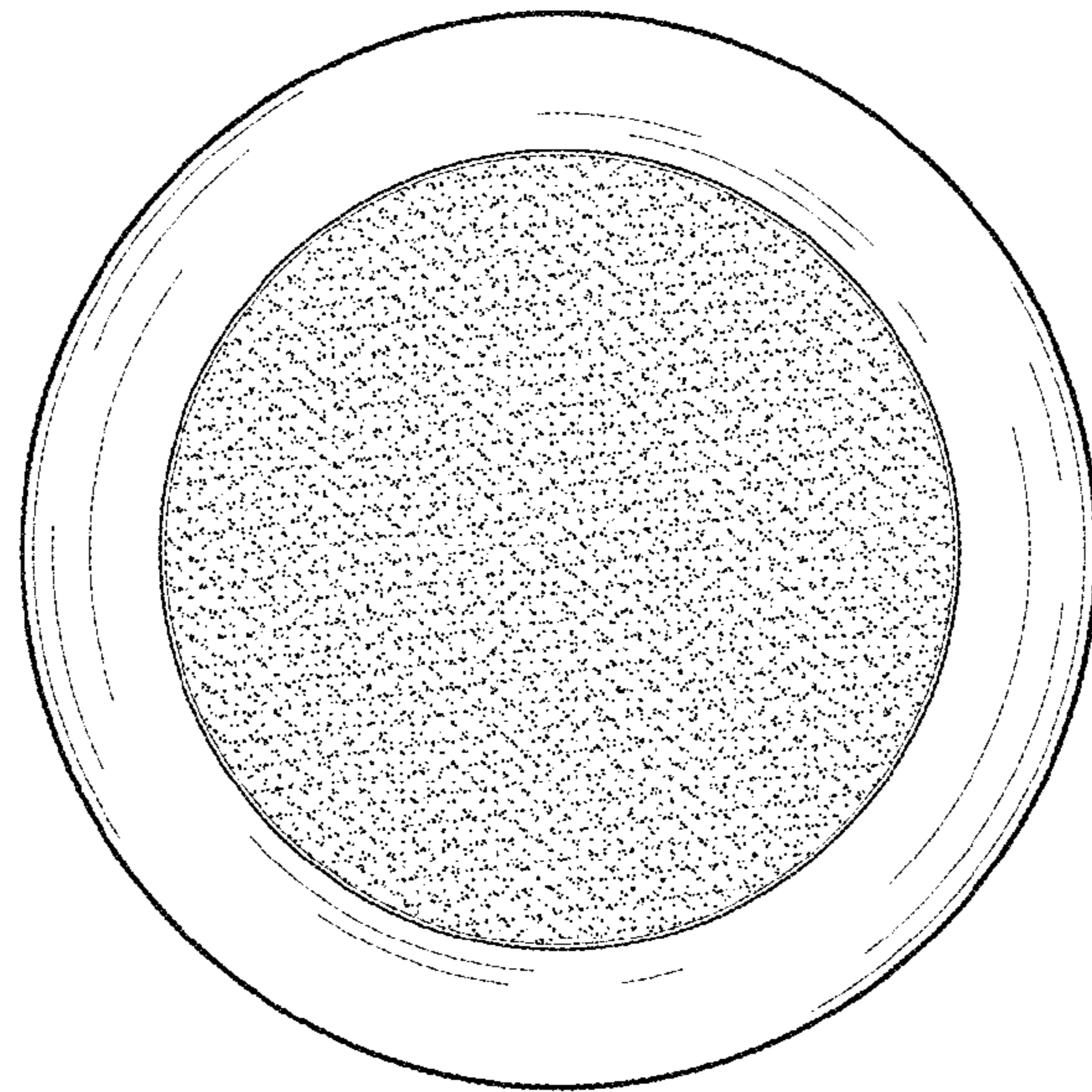


Fig-2

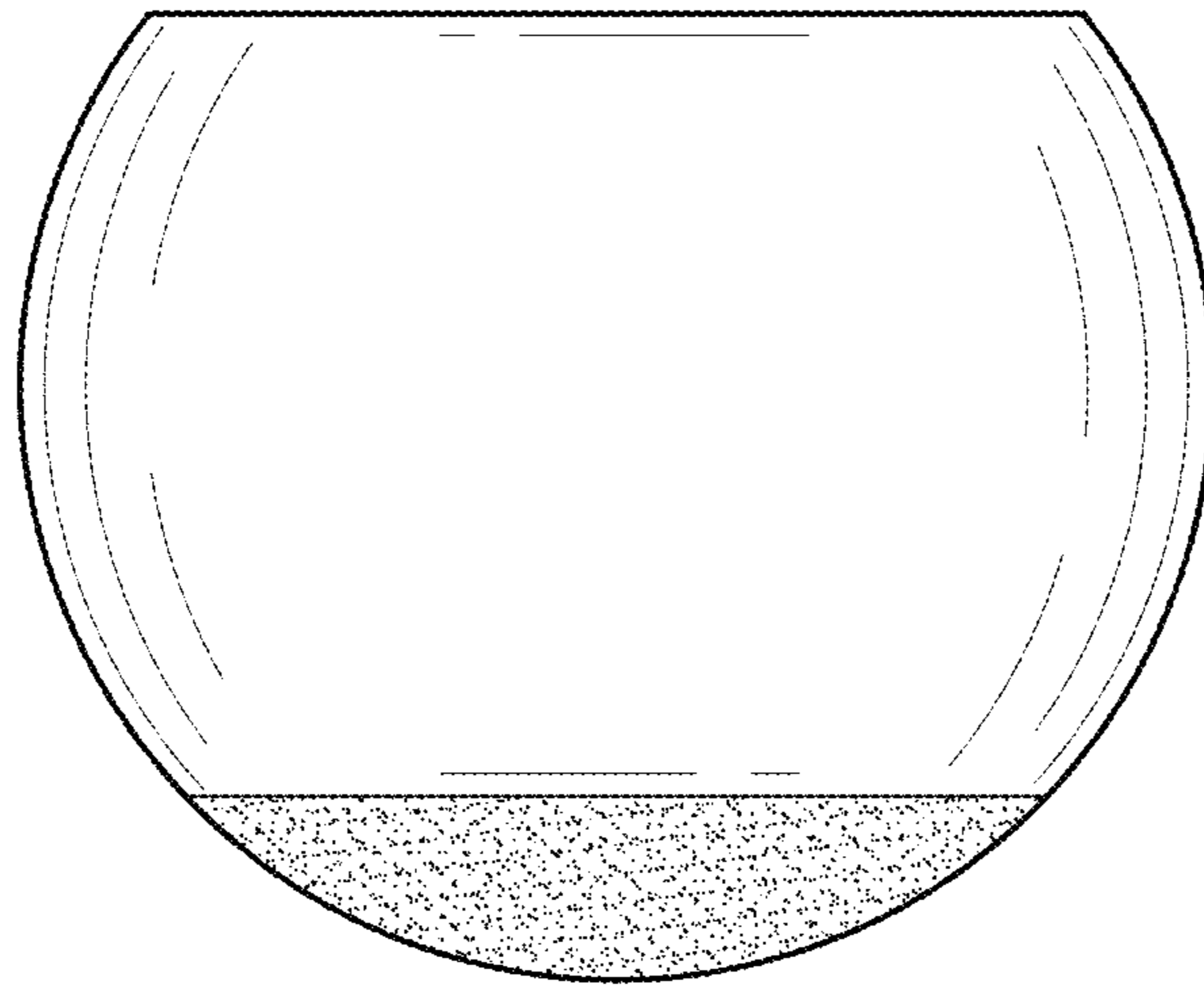


Fig-3

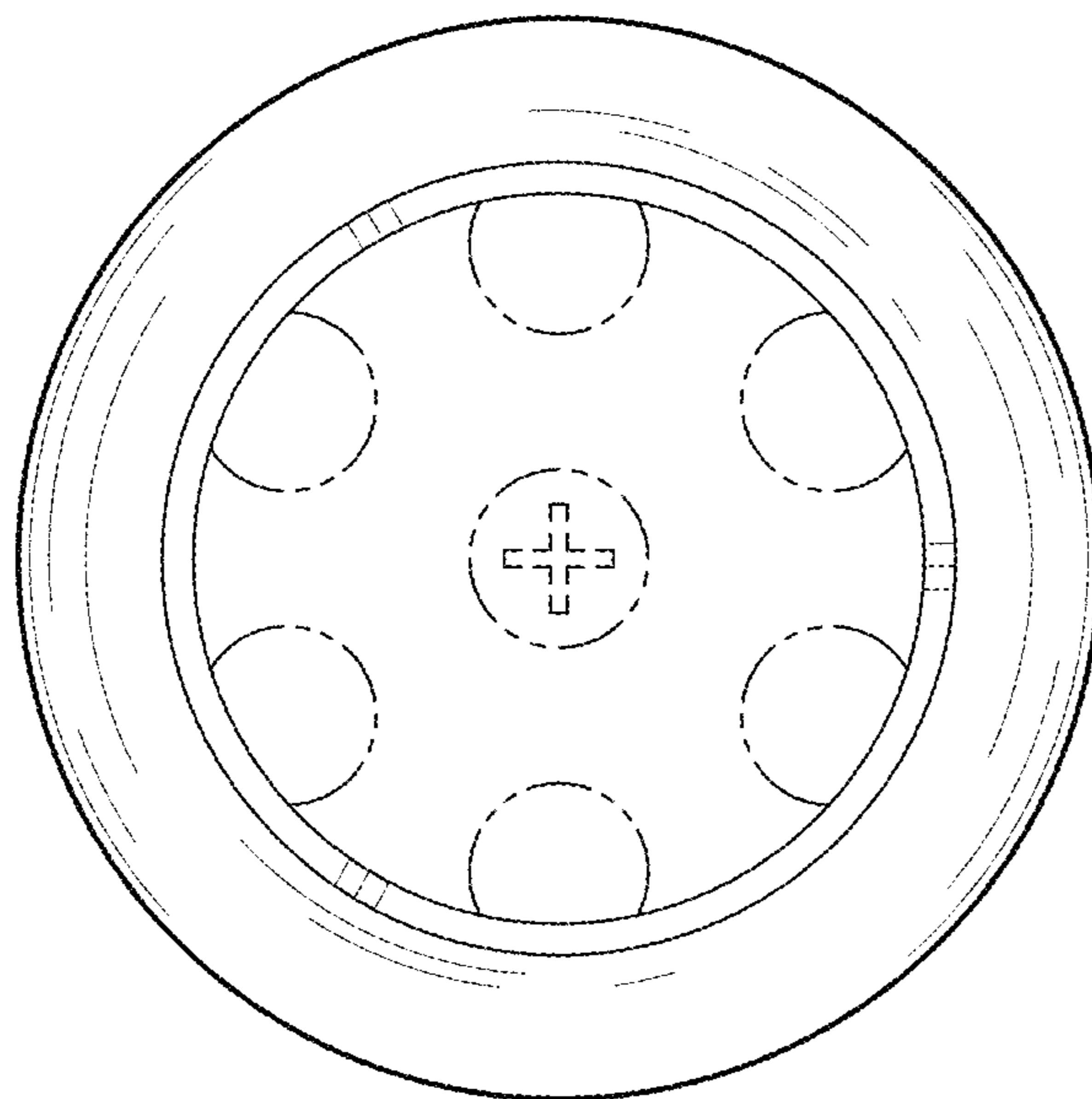


Fig-4