



US00D682076S

(12) **United States Design Patent**  
**Pierce**

(10) **Patent No.:** **US D682,076 S**

(45) **Date of Patent:** **\*\* May 14, 2013**

(54) **CLIP**

(71) Applicant: **Scott Pierce**, Henderson, NV (US)

(72) Inventor: **Scott Pierce**, Henderson, NV (US)

(\*\*) Term: **14 Years**

(21) Appl. No.: **29/435,508**

(22) Filed: **Oct. 24, 2012**

(51) **LOC (9) Cl.** ..... **08-05**

(52) **U.S. Cl.**  
USPC ..... **D8/367**

(58) **Field of Classification Search** ..... D6/315,  
D6/317, 319, 323, 328, 367; D8/370, 372,  
D8/373, 356, 367, 354, 349; 174/135; 248/89,  
248/215, 339, 489, 75; 385/135, 134, 60,  
385/62; 52/220.1, 74.1; 16/87.2, 87.8  
See application file for complete search history.

(56) **References Cited**

U.S. PATENT DOCUMENTS

D273,176 S \* 3/1984 Abbott ..... D8/356  
D375,673 S \* 11/1996 Schowalter ..... D8/367  
D427,506 S \* 7/2000 Smith ..... D8/367

D461,705 S \* 8/2002 Bentrim ..... D8/371  
D478,499 S \* 8/2003 Winig et al. .... D8/367  
D533,362 S \* 12/2006 Giampavolo ..... D6/328  
D535,111 S \* 1/2007 Giampavolo ..... D6/328  
D535,179 S \* 1/2007 Bryant ..... D8/367  
D610,851 S \* 3/2010 Trub et al. .... D6/567  
D613,585 S \* 4/2010 Haddock ..... D8/367  
D635,844 S \* 4/2011 Boothby ..... D8/367  
D646,151 S \* 10/2011 Potts et al. .... D8/367  
D674,680 S \* 1/2013 Mirer et al. .... D8/367

\* cited by examiner

*Primary Examiner* — Cynthia Underwood

(74) *Attorney, Agent, or Firm* — Greenberg Traurig

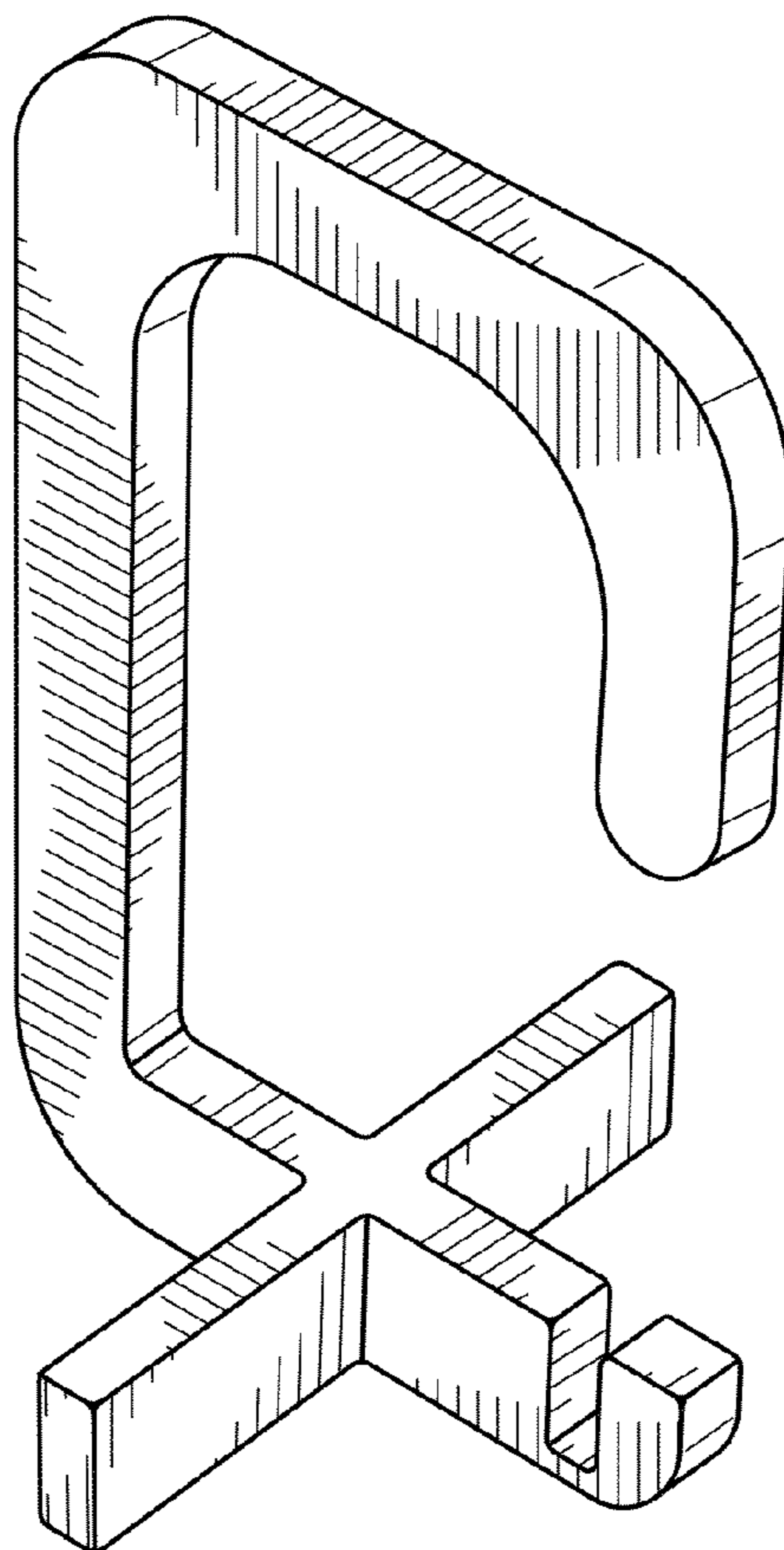
(57) **CLAIM**

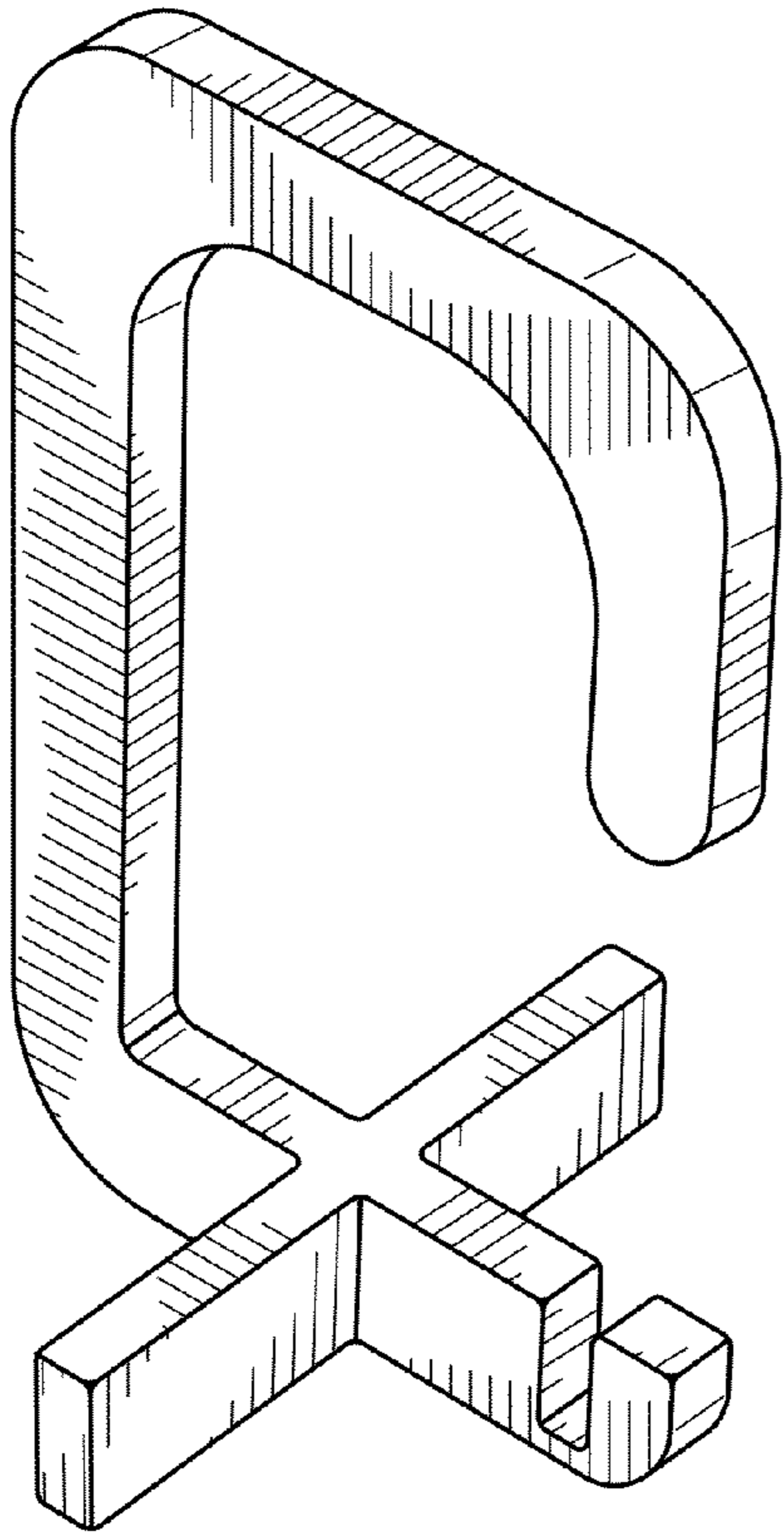
The ornamental design for a clip, as shown and described.

**DESCRIPTION**

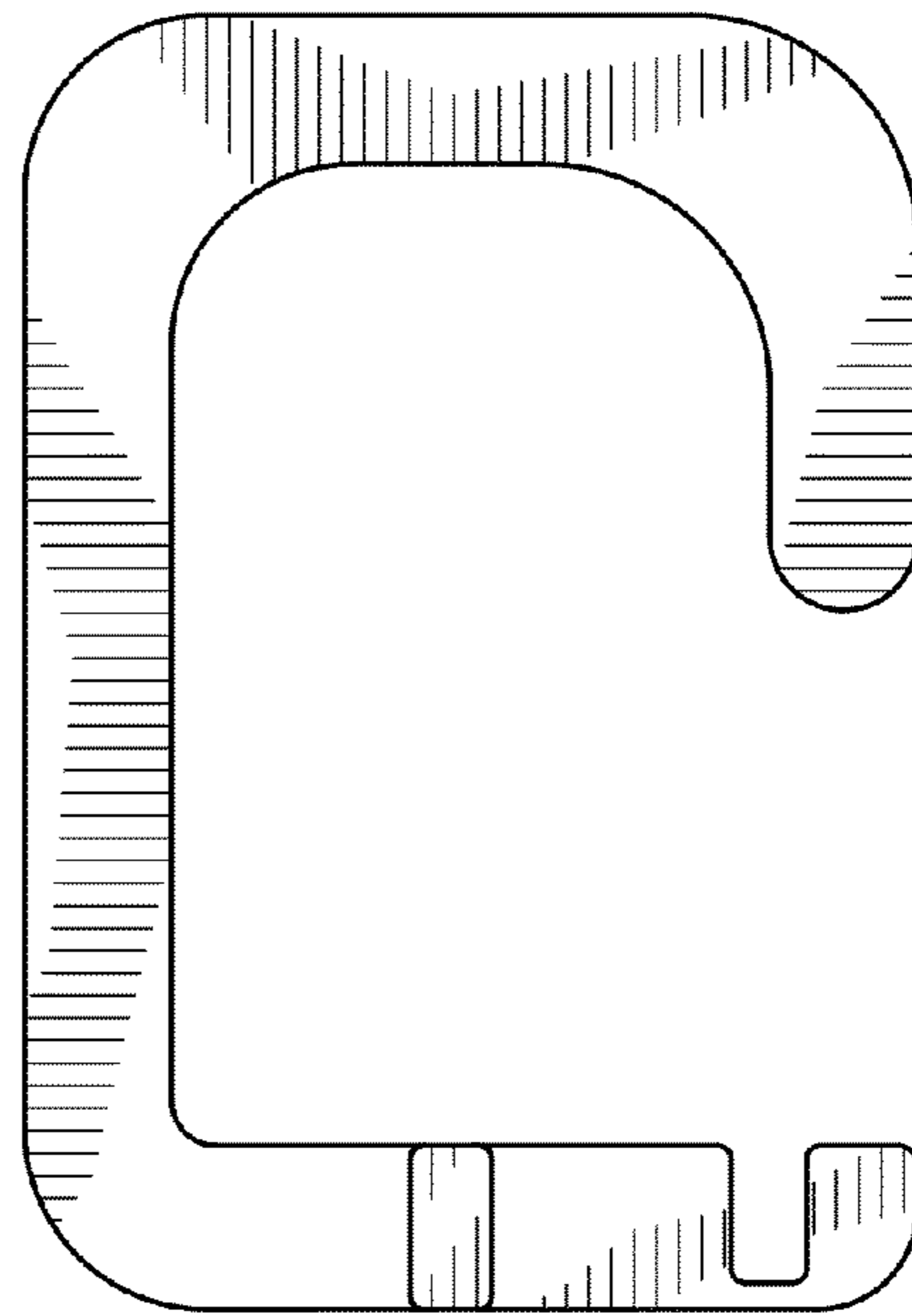
FIG. 1 illustrates a perspective view of a clip;  
FIG. 2 illustrates a left side view of the clip;  
FIG. 3 illustrates a front view of the clip;  
FIG. 4 illustrates a top view of the clip;  
FIG. 5 illustrates a right side view of the clip;  
FIG. 6 illustrates a rear view of the clip; and,  
FIG. 7 illustrates a bottom view of the clip.

**1 Claim, 2 Drawing Sheets**

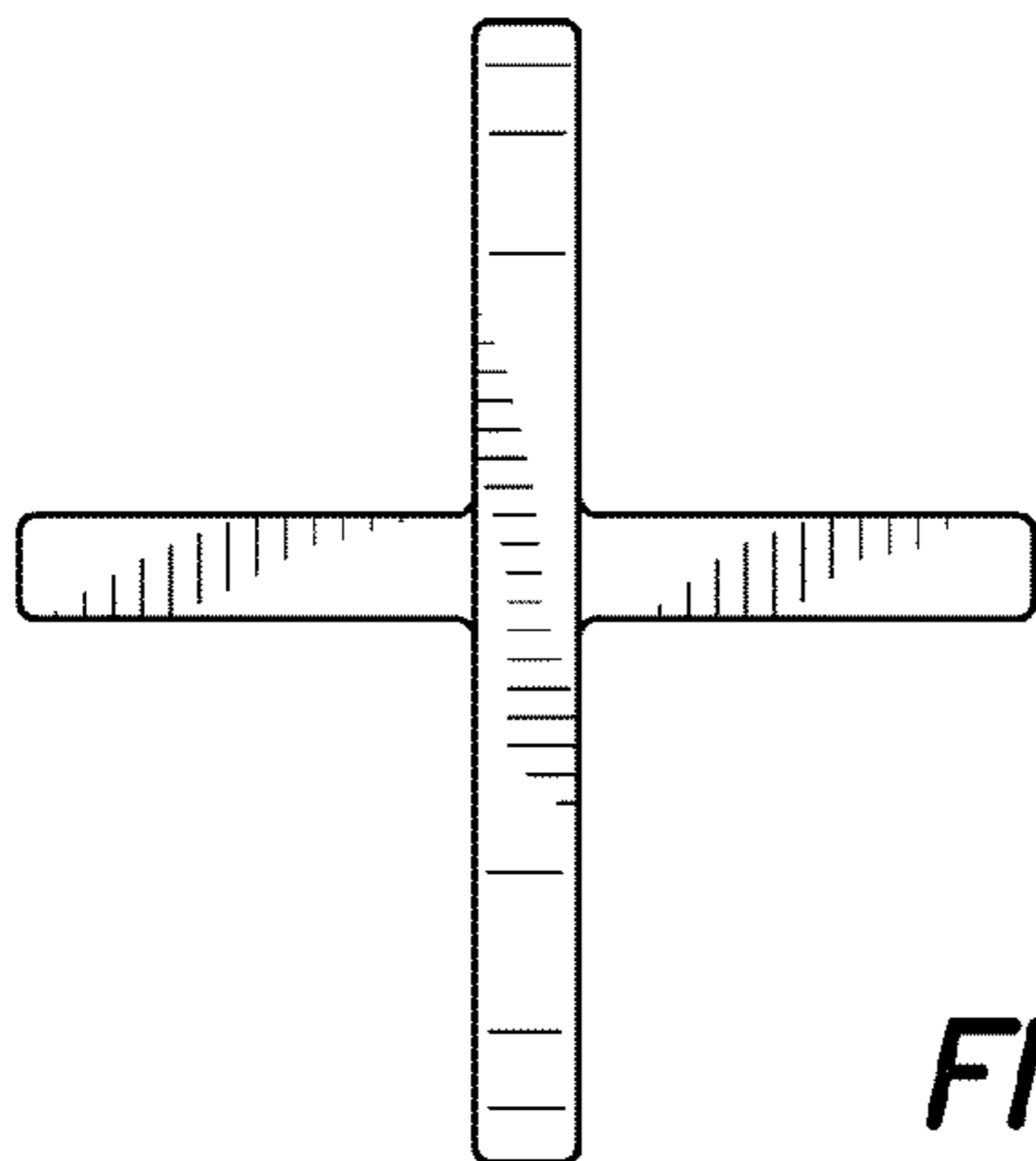




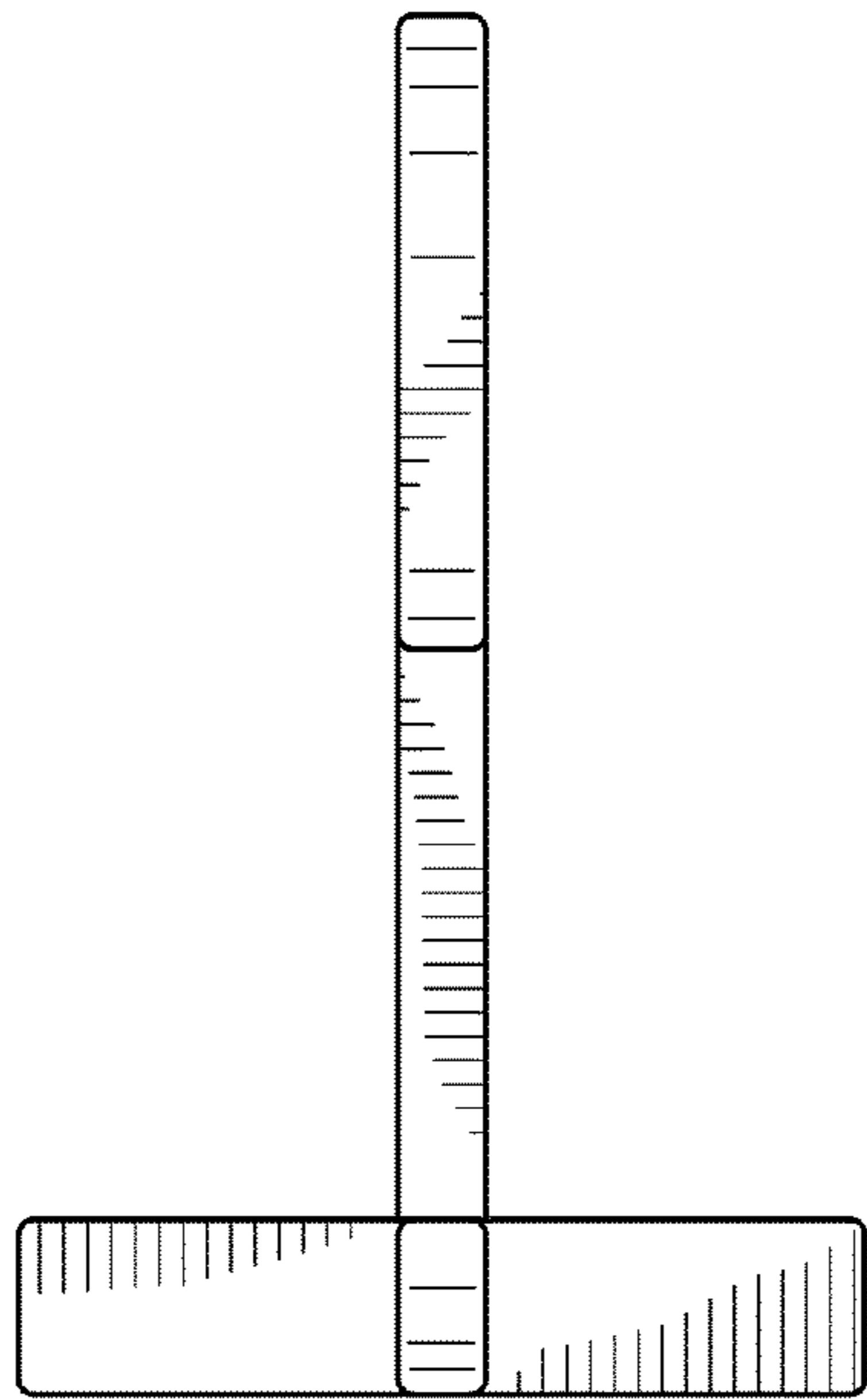
*FIG. 1*



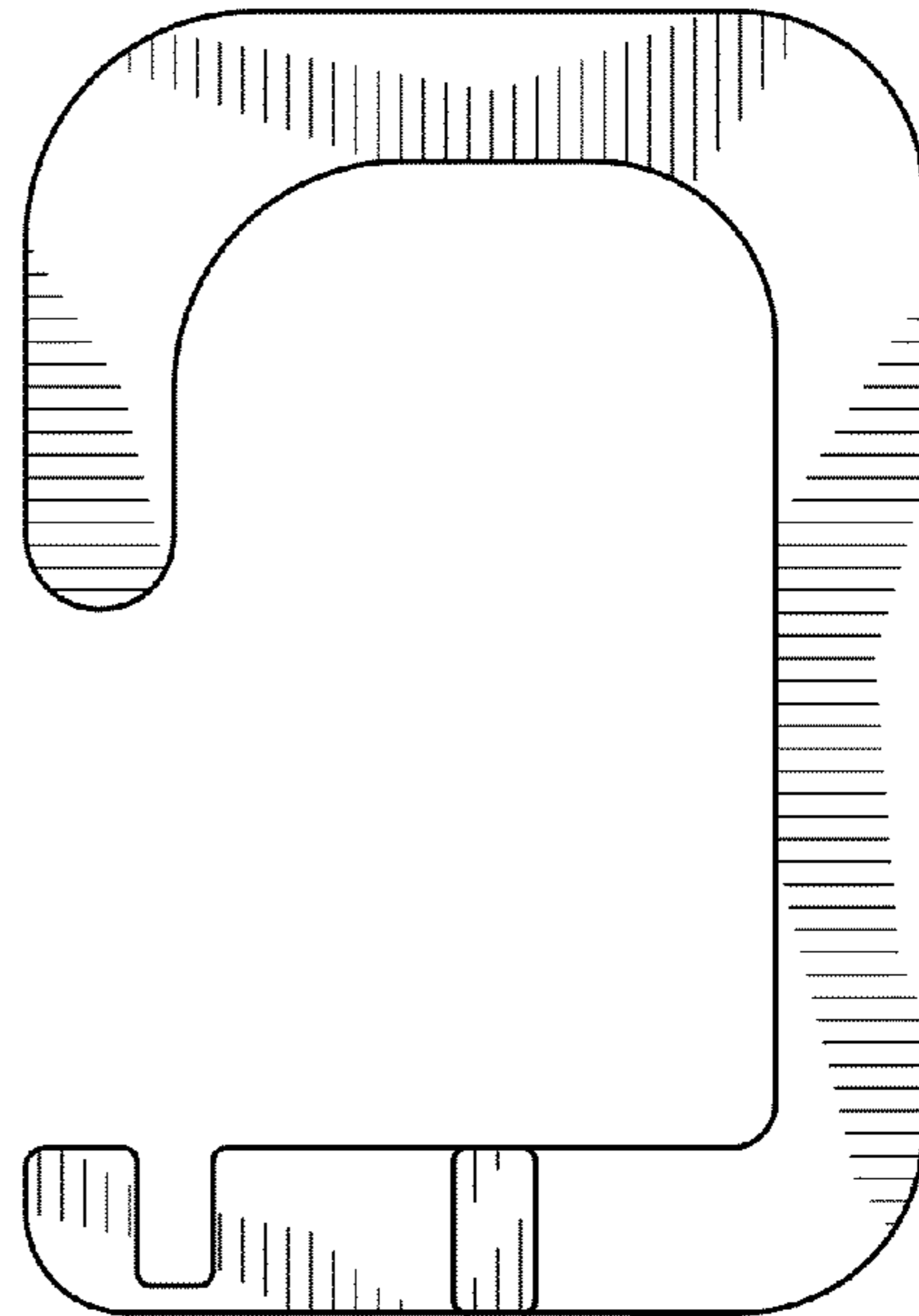
*FIG. 2*



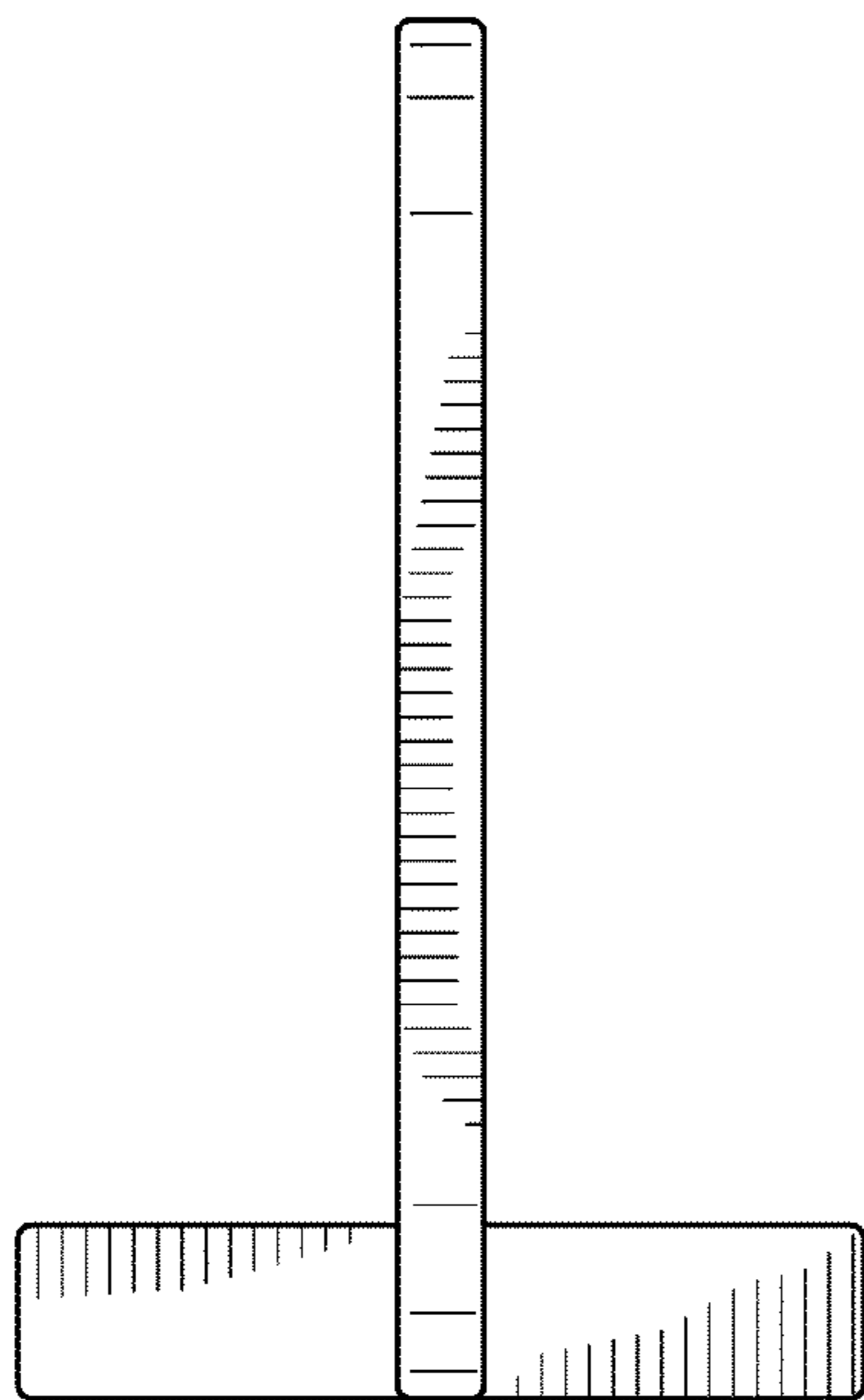
*FIG. 4*



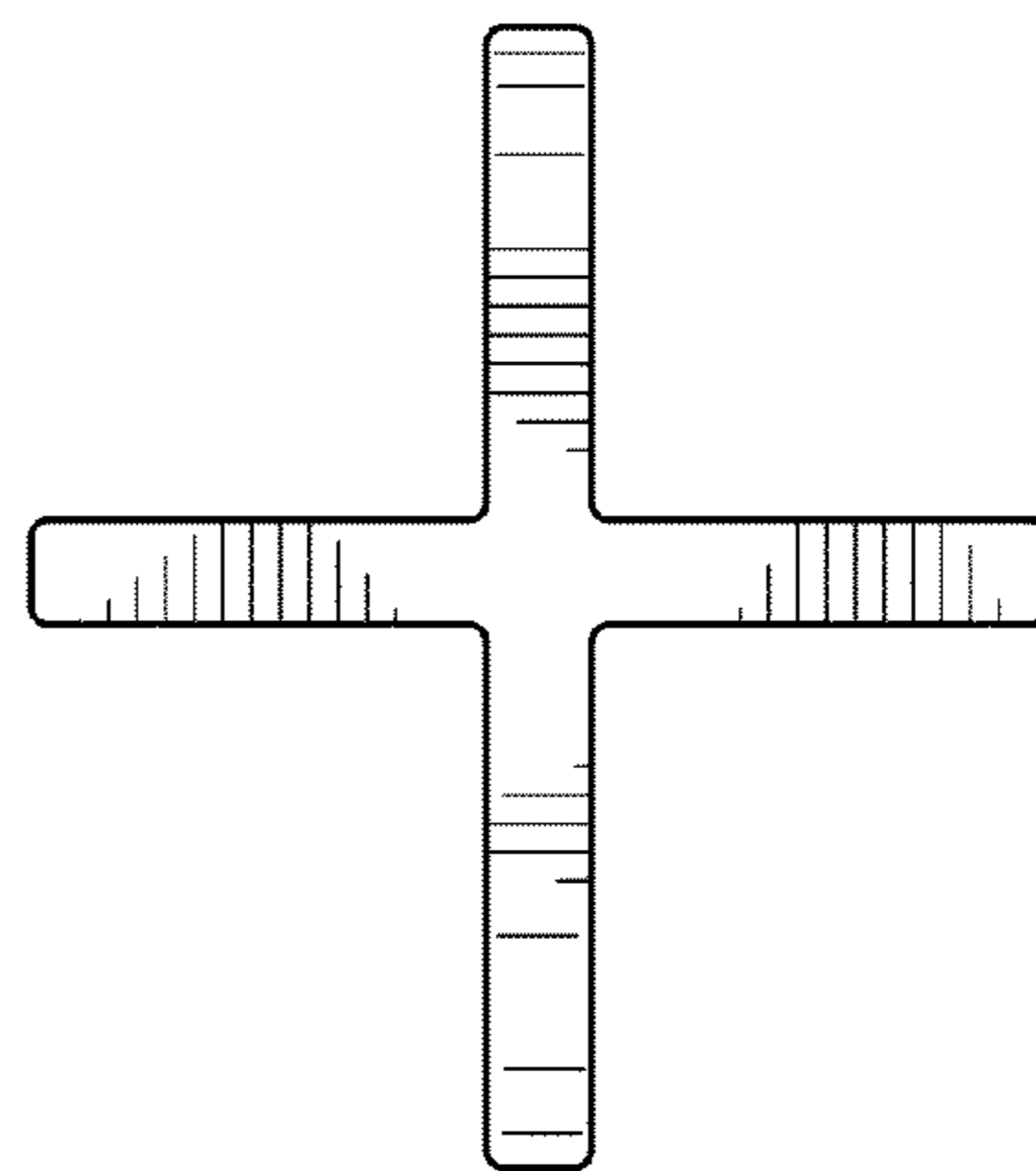
**FIG. 3**



**FIG. 5**



**FIG. 6**



**FIG. 7**