



US00D682074S

(12) **United States Design Patent**  
**Pierce**

(10) **Patent No.:** **US D682,074 S**

(45) **Date of Patent:** **\*\* May 14, 2013**

- (54) **SHOWER CURTAIN LOCK**
  - (76) Inventor: **Scott Pierce**, Henderson, NV (US)
  - (\*\*) Term: **14 Years**
  - (21) Appl. No.: **29/388,928**
  - (22) Filed: **Apr. 4, 2011**
  - (51) **LOC (9) Cl.** ..... **08-05**
  - (52) **U.S. Cl.**  
USPC ..... **D8/367**
  - (58) **Field of Classification Search** ..... D8/367,  
D8/353, 354, 349, 356, 352, 351, 381, 372;  
D6/323; 248/301, 304, 214, 215, 508, 354.7,  
248/340, 302; D21/662; 294/143; 211/118;  
16/87.2, 87.8, 330; 24/DIG. 11; 402/79;  
D22/144
- See application file for complete search history.

6,094,755 A	8/2000	Matta	
6,182,940 B1 *	2/2001	Miyamoto et al.	248/682
7,065,839 B2 *	6/2006	Just	24/67 R
D554,481 S	11/2007	Newbould et al.	
7,665,248 B2 *	2/2010	Blackford	52/27
D628,876 S *	12/2010	Pierce	D8/367
D635,845 S *	4/2011	Pierce	D8/367
D646,553 S *	10/2011	Peng et al.	D8/349
D666,076 S *	8/2012	Muratore et al.	D8/349

\* cited by examiner

*Primary Examiner* — Cynthia Underwood  
(74) *Attorney, Agent, or Firm* — Greenberg Traurig

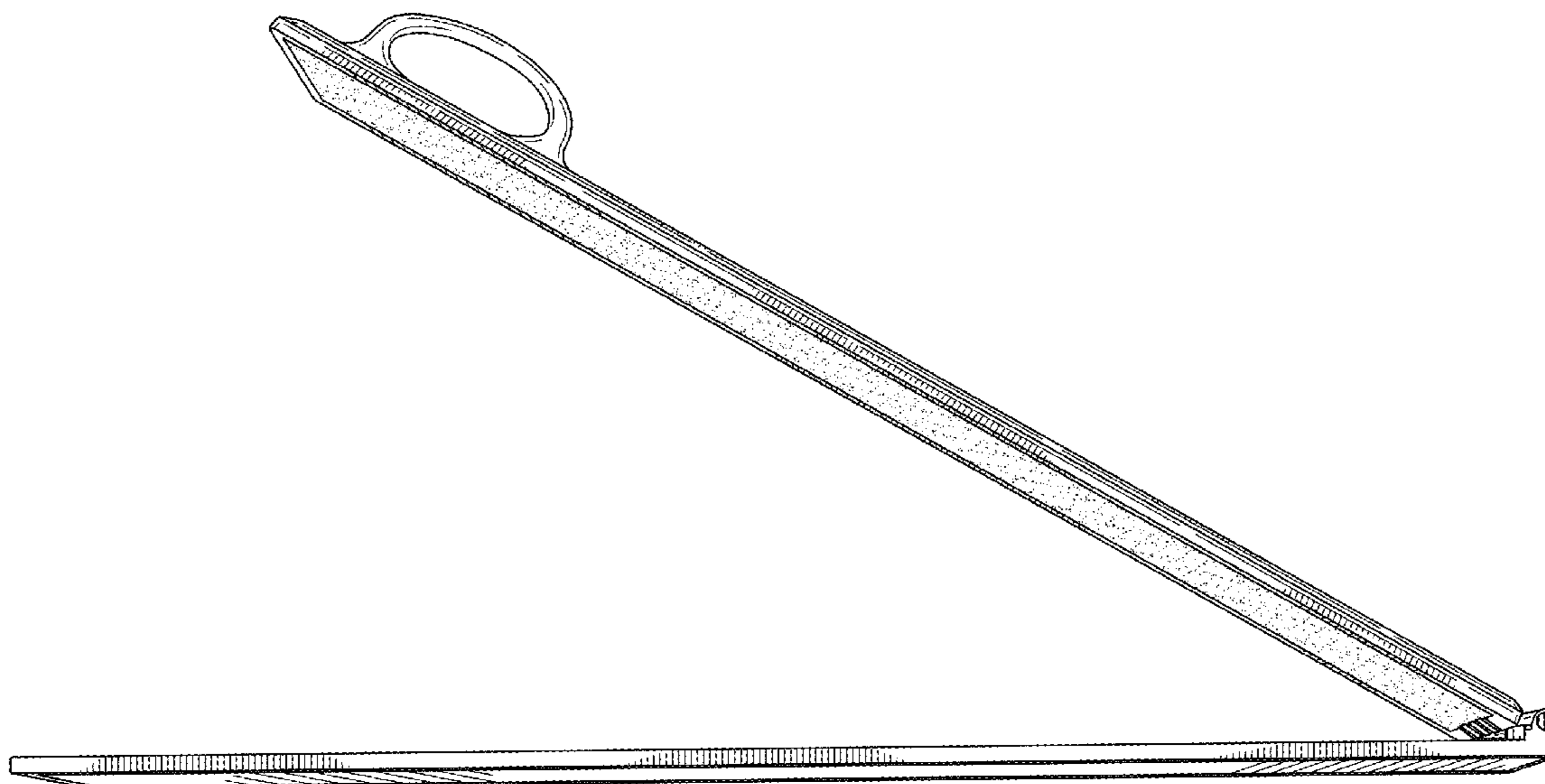
(57) **CLAIM**  
The ornamental design for a shower curtain lock, as shown and described.

**DESCRIPTION**

FIG. 1 shows a perspective view of the shower curtain lock in an open position;  
FIG. 2 shows a front view of the shower curtain lock in a closed position;  
FIG. 3 shows a rear view thereof;  
FIG. 4 shows a right side view thereof;  
FIG. 5 shows a left side view of thereof;  
FIG. 6 shows a top side view thereof; and,  
FIG. 7 shows a bottom side view thereof.

**1 Claim, 3 Drawing Sheets**

- (56) **References Cited**
- U.S. PATENT DOCUMENTS
- 2,601,424 A \* 6/1952 Baker ..... 24/66.1
- 3,097,406 A \* 7/1963 Yarborough ..... 24/3.7
- 3,577,583 A 5/1971 Amann
- 4,759,087 A \* 7/1988 Zeilinger ..... 4/605
- 4,960,521 A \* 10/1990 Keller ..... 210/644
- D395,594 S 6/1998 Bries et al.
- D417,606 S 12/1999 Bries et al.



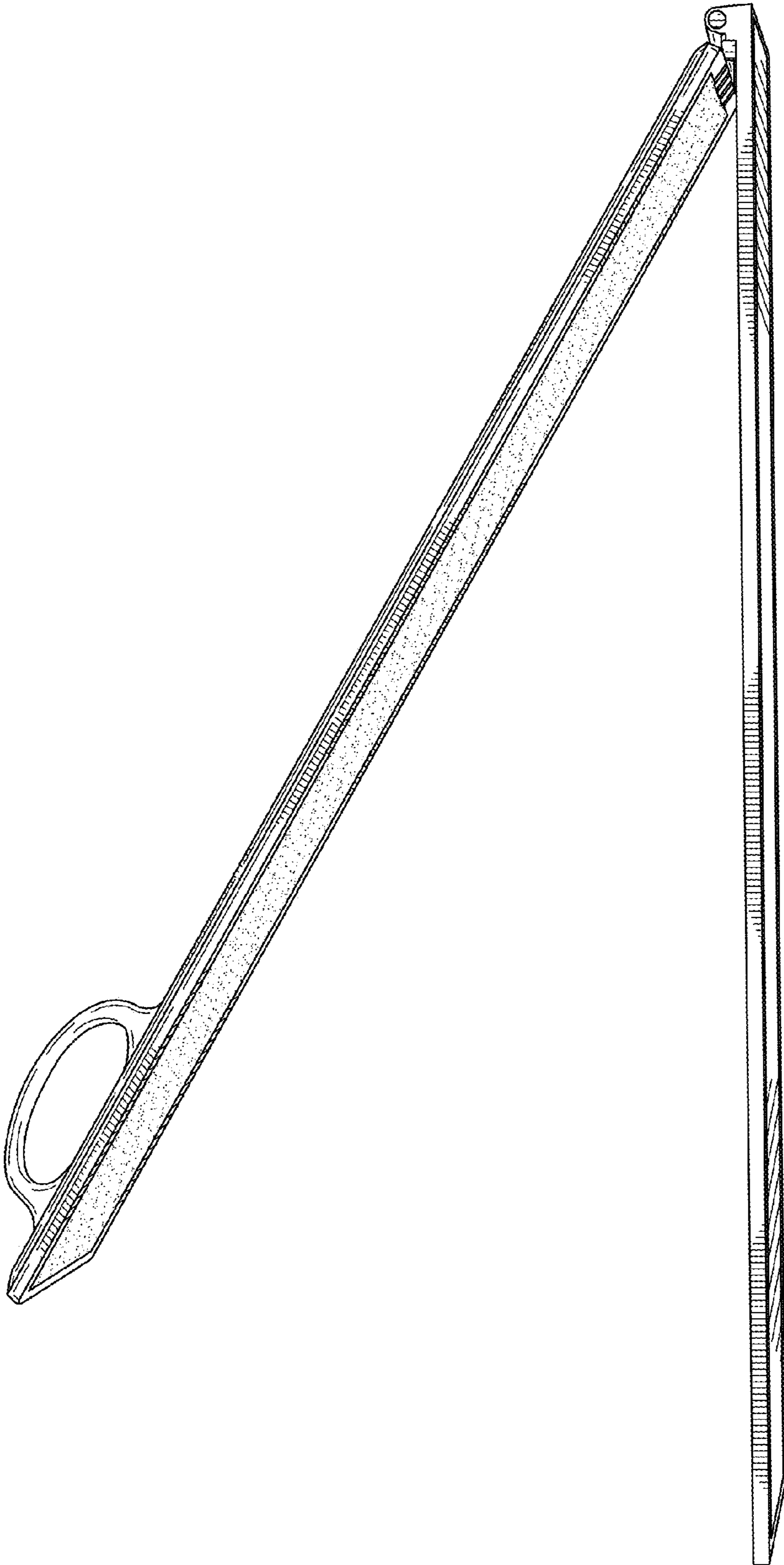


FIG. 1

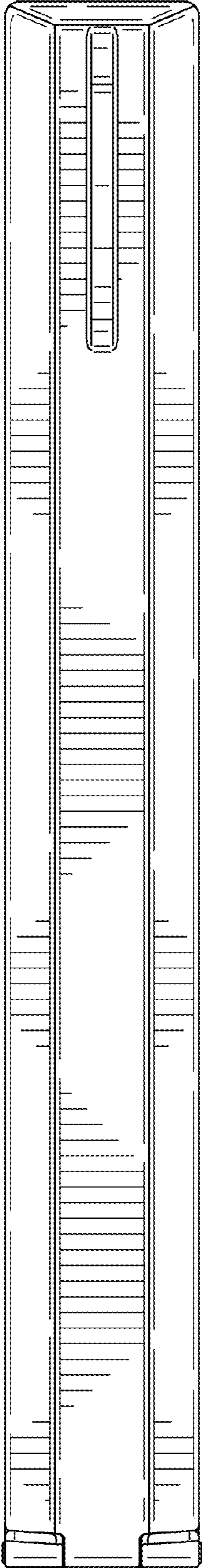


FIG. 2

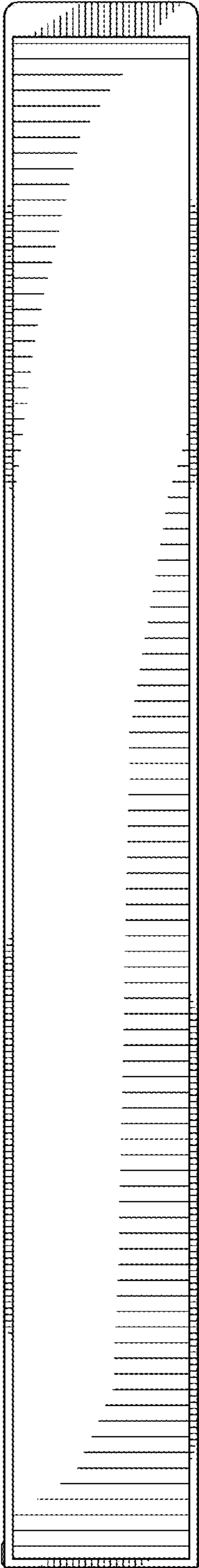


FIG. 3

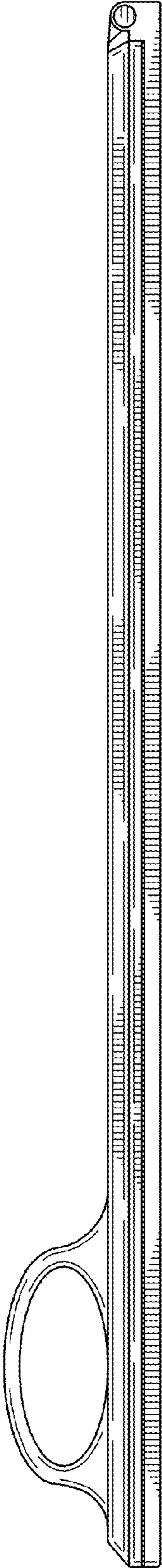


FIG. 4

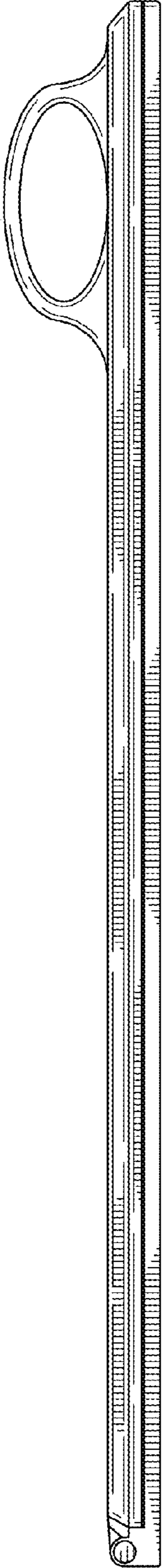


FIG. 5

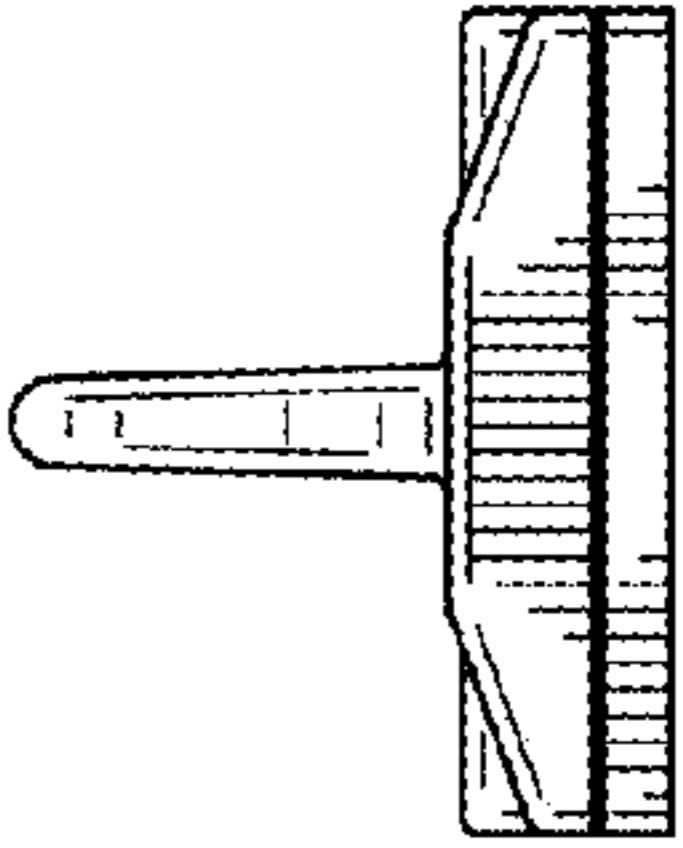


FIG. 6

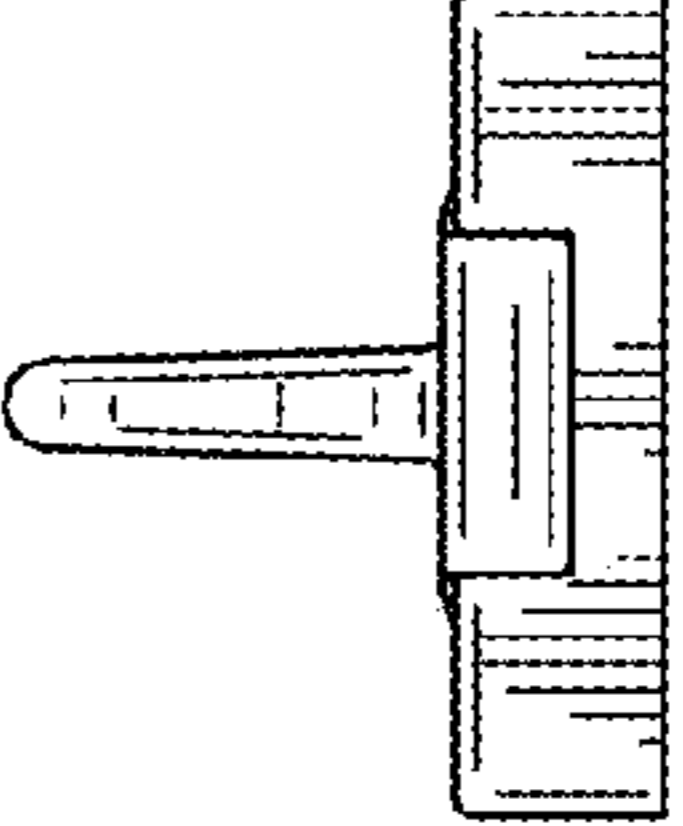


FIG. 7