



US00D682073S

(12) **United States Design Patent**  
**Payne**

(10) **Patent No.:** **US D682,073 S**

(45) **Date of Patent:** **\*\* May 14, 2013**

(54) **STRAP REEL TOOL**

(76) Inventor: **Jack Payne**, Chandler, IN (US)

(\*\*) Term: **14 Years**

(21) Appl. No.: **29/419,077**

(22) Filed: **Apr. 25, 2012**

(51) **LOC (9) Cl.** ..... **08-05**

(52) **U.S. Cl.**  
USPC ..... **D8/359**

(58) **Field of Classification Search** ..... D8/14,  
D8/51, 44, 70, 356, 358-359; 242/390, 395;  
254/243, 323

See application file for complete search history.

(56) **References Cited**

**U.S. PATENT DOCUMENTS**

3,360,808	A *	1/1968	Taysom	7/107
3,954,226	A *	5/1976	Pickering	242/395
D257,349	S *	10/1980	Thomas	D8/358
4,390,141	A *	6/1983	Webster	242/404.2
D295,949	S *	5/1988	Ferrell	D8/359
D307,239	S *	4/1990	Topping	D8/359
D322,557	S *	12/1991	Cummings	D8/394
D389,387	S *	1/1998	Barrett	D8/70
D390,094	S *	2/1998	Pamplin	D8/359
5,961,061	A *	10/1999	Stanley	242/395
6,068,210	A *	5/2000	Risa	242/532.5
6,179,534	B1 *	1/2001	Weckter	410/103
D452,953	S *	1/2002	Okkema	D8/359

6,467,716	B1 *	10/2002	Hamilton	242/394
6,467,755	B2 *	10/2002	Reilly et al.	254/223
6,705,597	B1 *	3/2004	Reilly et al.	254/223
6,729,604	B1 *	5/2004	Claycomb	254/217
7,059,588	B2 *	6/2006	Goulet	254/323
7,278,808	B1 *	10/2007	Sisk, Sr. et al.	410/156
7,410,336	B2 *	8/2008	Parks	410/156
7,497,398	B2 *	3/2009	Mehrer	242/533
2002/0074443	A1 *	6/2002	Murdock et al.	242/395
2006/0022104	A1 *	2/2006	Treat	248/300
2011/0079967	A1 *	4/2011	Presley	279/145

\* cited by examiner

*Primary Examiner* — Philip S Hyder

*Assistant Examiner* — Roselynn Cody

(74) *Attorney, Agent, or Firm* — Gary K. Price

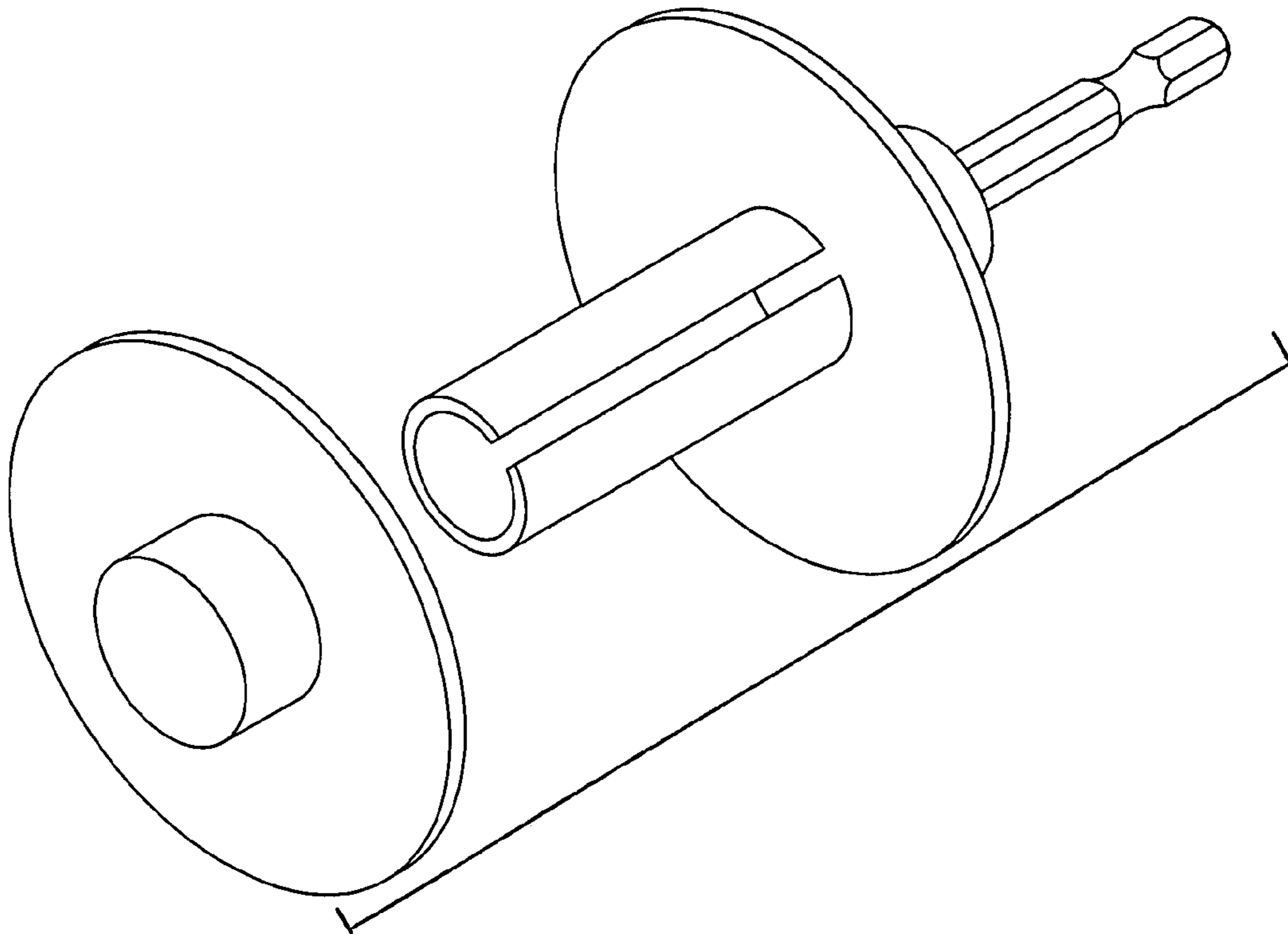
(57) **CLAIM**

The ornamental design for a strap reel tool, as shown and described.

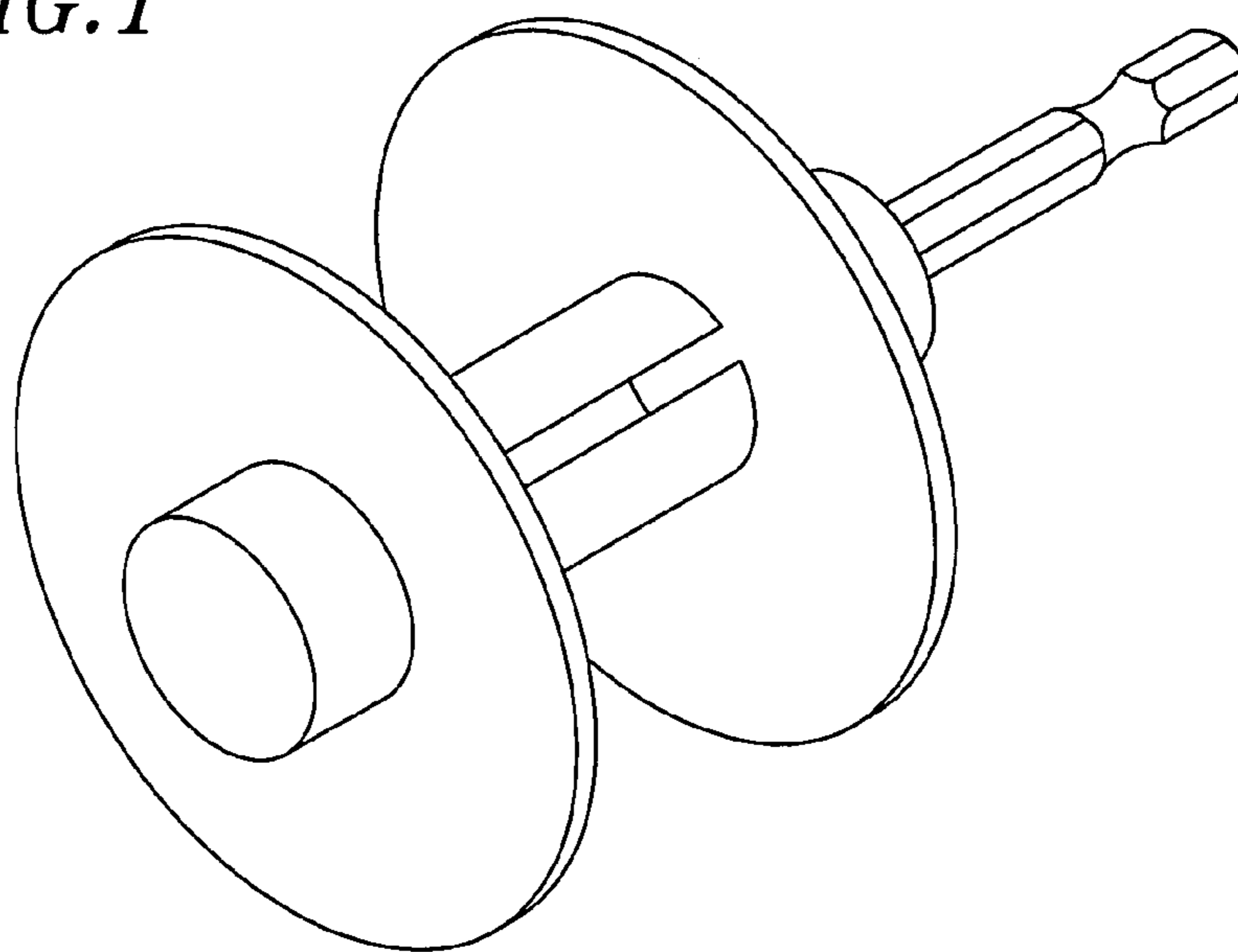
**DESCRIPTION**

FIG. 1 is a front perspective view of the strap reel tool showing my new design;  
FIG. 2 is a back perspective view thereof;  
FIG. 3 is a front exploded perspective view thereof;  
FIG. 4 is a back exploded perspective view thereof; and,  
FIG. 5 is a side exploded view thereof.

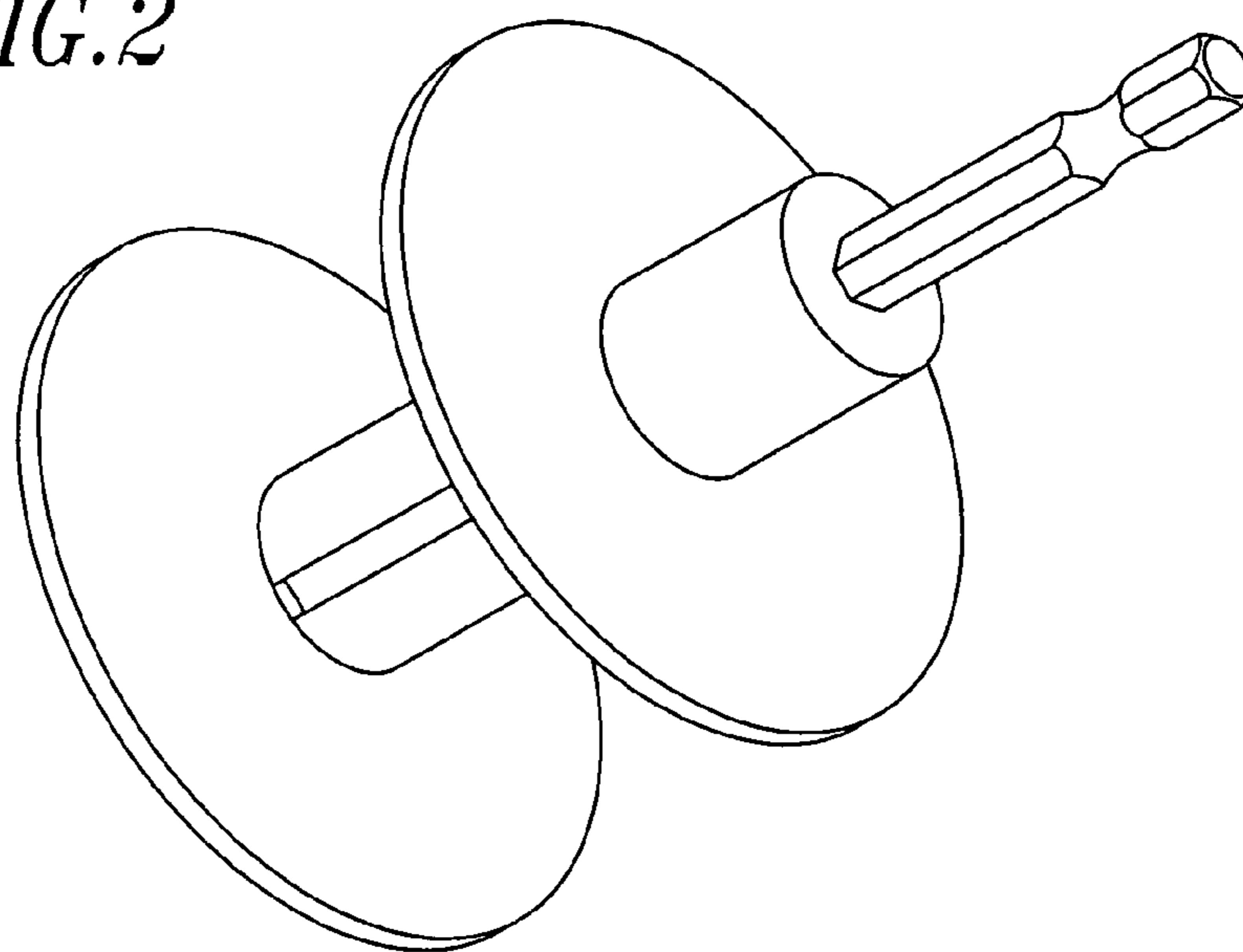
**1 Claim, 3 Drawing Sheets**



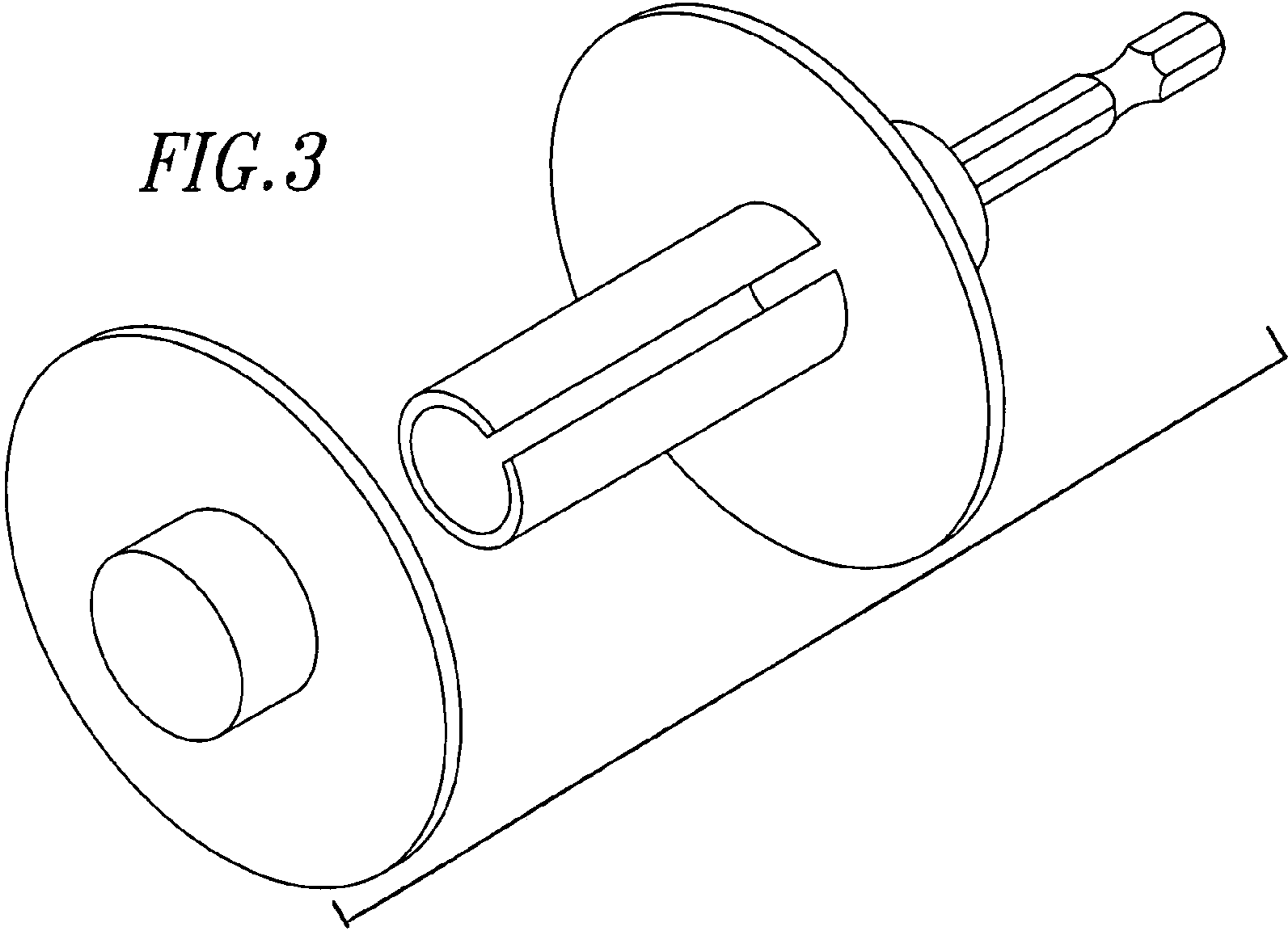
*FIG. 1*



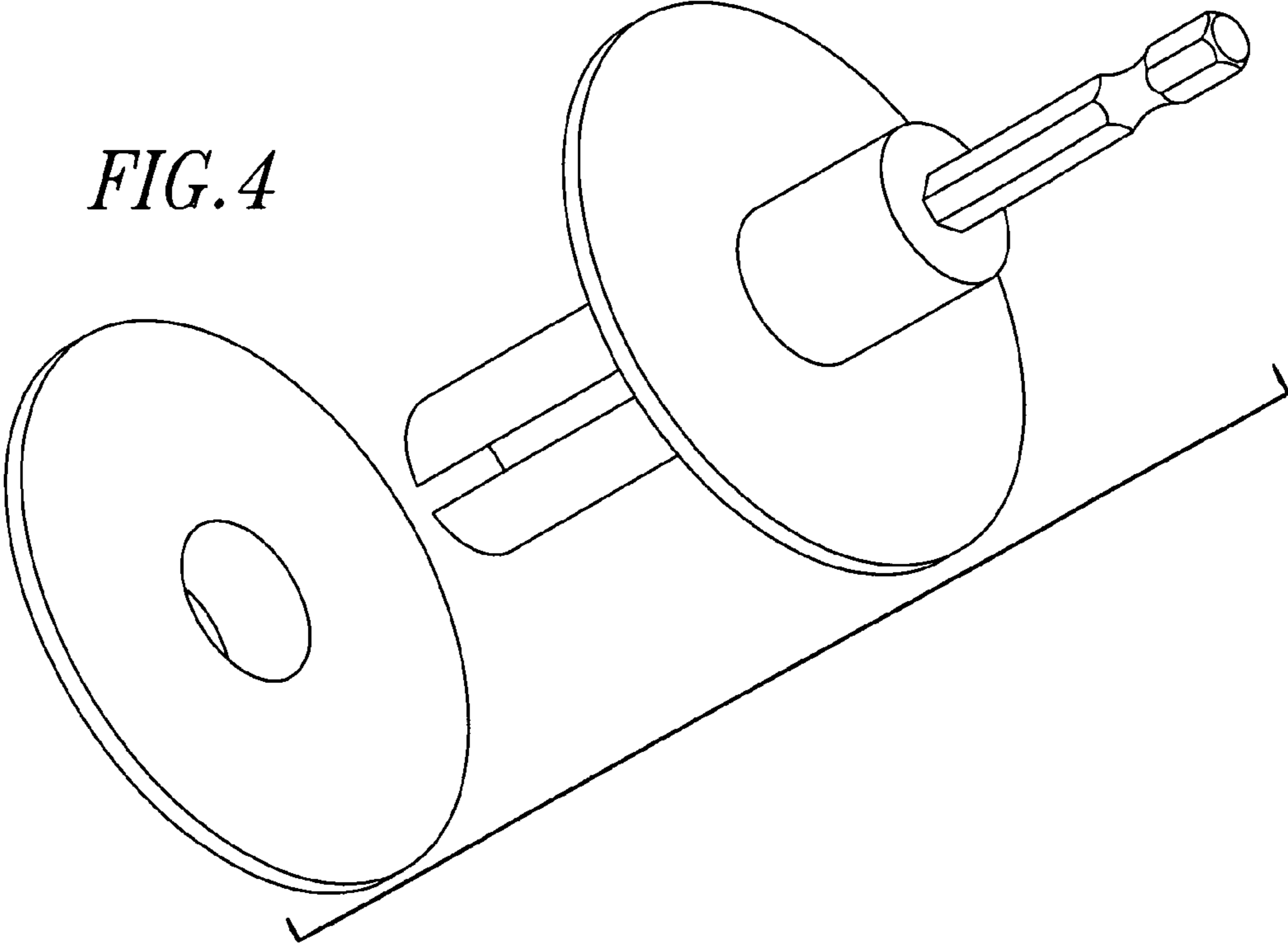
*FIG. 2*



*FIG. 3*



*FIG. 4*



*FIG. 5*

