



US00D682070S

(12) **United States Design Patent**  
**Rothbaum et al.**

(10) **Patent No.:** **US D682,070 S**  
(45) **Date of Patent:** **\*\* May 14, 2013**

(54) **STRAP WITH CORD ATTACHMENT MECHANISM FOR A CORD MANAGEMENT SYSTEM**

(75) Inventors: **Wayne Rothbaum**, New York, NY (US);  
**Allison S. Conner**, Brooklyn, NY (US);  
**Robert B. Curtis**, New York, NY (US);  
**Jonas K. Damon**, New York, NY (US);  
**Daniel A. Sanchez**, Brooklyn, NY (US)

(73) Assignee: **CJD LLC**, New York, NY (US)

(\*\*) Term: **14 Years**

(21) Appl. No.: **29/401,359**

(22) Filed: **Sep. 11, 2011**

(51) **LOC (9) Cl.** ..... **08-05**

(52) **U.S. Cl.**  
USPC ..... **D8/356**

(58) **Field of Classification Search** ..... D8/356,  
D8/354, 349; 220/575; 206/521.15; 24/302,  
24/36 R, 306; 439/501; 381/374; D14/217,  
D14/205

See application file for complete search history.

(56) **References Cited**

**U.S. PATENT DOCUMENTS**

D39,960 S 5/1909 Mussillon  
1,544,386 A 6/1925 Fridolph

(Continued)

**FOREIGN PATENT DOCUMENTS**

CN 201352845 Y 11/2009  
GB 2420552 A 5/2006

(Continued)

**OTHER PUBLICATIONS**

Earbud Cliss, printed Jun. 7, 2010, 3 pages, [www.wetjetset.com/store/item/42](http://www.wetjetset.com/store/item/42).

(Continued)

*Primary Examiner* — Cynthia Underwood

(74) *Attorney, Agent, or Firm* — Morgan, Lewis & Bokius LLP

(57) **CLAIM**

The ornamental design for a strap with cord attachment mechanism for a cord management system, as shown and described.

**DESCRIPTION**

The present application relates to the following patents and applications:

to U.S. utility patent application Ser. No. 12/761,326 filed Apr. 15, 2010, entitled Cord Management System, to U.S. design Pat. No. D636,659, issued Apr. 26, 2011, entitled Strap for a Cord Management System, to U.S. design patent application Ser. No. 29/368,755 filed Aug. 27, 2010, also entitled Strap for a Cord Management System, to U.S. design patent application Ser. No. D645,333 issued Sep. 20, 2011, also entitled Strap for a Cord Management System, to U.S. design patent application Ser. No. 29/401,643 filed Sep. 13, 2011, entitled Strap with Hook and Loop Closure for a Cord Management System, to U.S. design application Ser. No. 29/401,930 filed Sep. 16, 2011, entitled Strap with Cord Attachment Mechanism and Hook and Loop Closure for a Cord Management System, and to U.S. design application Ser. No. 29/401,360 filed Sep. 11, 2011, entitled Clip for a Cord Management System.

FIG. 1 is a perspective view of an embodiment of our new design of a strap with a cord attachment mechanism for a cord management system.

FIG. 2 is a top view of the embodiment of FIG. 1.

FIG. 3 is a bottom view of the embodiment of FIG. 1.

FIG. 4 is a view of a first side of the embodiment of FIG. 1.

FIG. 5 is a view of a second side of the embodiment of FIG. 1.

FIG. 6 is a view of a third side of the embodiment of FIG. 1.

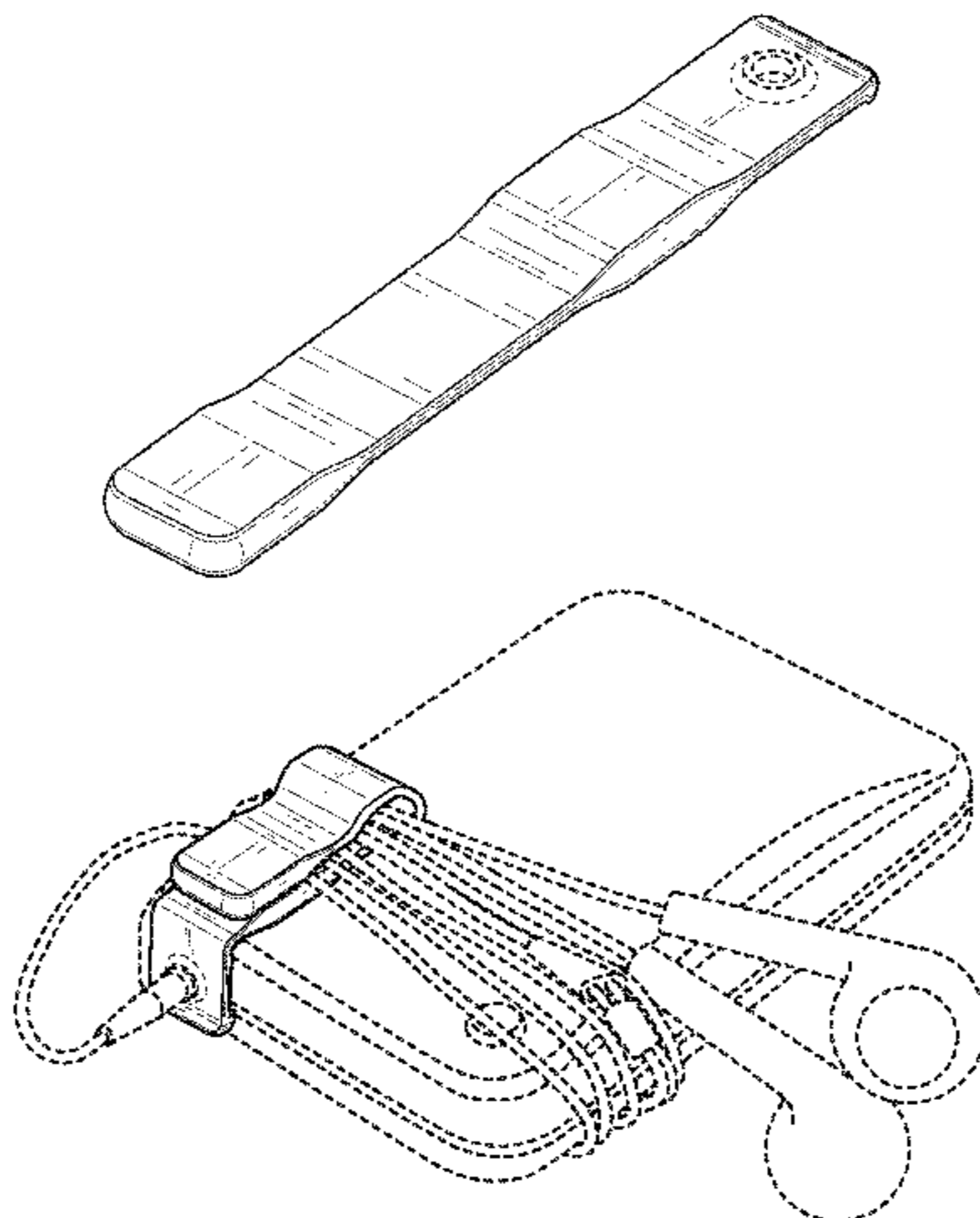
FIG. 7 is a view of a fourth side of the embodiment of FIG. 1.

FIG. 8 is another perspective view of the embodiment of FIG. 1 provided for illustrative purposes, the perspective view illustrating the embodiment when used in conjunction with an object; and,

FIG. 9 is another perspective view of the embodiment of FIG. 1 provided for illustrative purposes, the perspective view illustrating the embodiment when folded into an alternate configuration and when used in conjunction with an object.

The broken lines showing elements of the strap with cord attachment mechanism for a cord management system in the above described figures are for illustrative purposes only and form no part of the claimed design.

**1 Claim, 6 Drawing Sheets**



U.S. PATENT DOCUMENTS

1,675,421	A	7/1928	Pettee et al.	
1,722,498	A	7/1929	Fridolph	
2,965,939	A	12/1960	Olsson	
D206,401	S	12/1966	Fisher	
D224,960	S	10/1972	Wilson	
3,919,740	A	11/1975	Scherb	
3,994,048	A	11/1976	Rosenthal	
4,815,172	A	3/1989	Ward	
4,920,235	A	4/1990	Yamaguchi	
4,940,427	A	7/1990	Pearson	
4,957,232	A	9/1990	Sprague	
5,048,158	A	9/1991	Koerner	
5,130,899	A	7/1992	Larkin et al.	
5,142,743	A	9/1992	Hahn	
5,168,603	A	12/1992	Reed	
D357,739	S	4/1995	Stewart et al.	
5,402,971	A	4/1995	Bower	
5,517,838	A	5/1996	Moore	
5,518,214	A	5/1996	Spencer	
5,572,773	A	11/1996	Bauer	
5,584,452	A	12/1996	Koike	
5,586,760	A	12/1996	Hauter	
5,604,961	A	2/1997	Cole	
5,682,653	A	11/1997	Berglof et al.	
D390,447	S *	2/1998	Colen, Jr. ....	D8/356
5,802,676	A	9/1998	Tolan	
D401,137	S	11/1998	Boelling	
6,010,105	A *	1/2000	Davis .....	248/317
6,044,525	A	4/2000	Sastre et al.	
6,085,393	A	7/2000	Tsui et al.	
6,087,594	A	7/2000	Chou	
6,301,754	B1	10/2001	Grunberger et al.	
6,344,021	B1	2/2002	Juster et al.	
6,427,290	B1	8/2002	Liu	
6,467,132	B1	10/2002	Robley	
6,490,767	B2	12/2002	Haiduk	
6,499,199	B2	12/2002	Frazier	
6,581,885	B2	6/2003	Polad	
6,588,074	B2	7/2003	Galkiewicz et al.	
6,701,580	B1	3/2004	Bandyopadhyay	
D488,374	S	4/2004	Hussaini et al.	
6,763,554	B1	7/2004	Torrey et al.	
6,880,270	B2	4/2005	Prather	
6,992,253	B1	1/2006	Spellman et al.	
7,025,509	B2	4/2006	Martin	
7,039,958	B2	5/2006	Henricksen	
7,096,544	B2	8/2006	Lusardi	
7,213,278	B2 *	5/2007	Peterson et al. ....	5/413 R
D567,630	S	4/2008	Brassard	
D567,631	S	4/2008	Brassard	
D572,156	S *	7/2008	Payne .....	D10/71
7,516,591	B2	4/2009	Wolner et al.	
7,543,359	B2	6/2009	Moughelbay et al.	
D599,196	S *	9/2009	Ruffin et al. ....	D8/356
D613,137	S *	4/2010	Wieberdink et al. ....	D8/14
7,712,696	B2	5/2010	Loh	
D619,884	S	7/2010	Hansort	
D624,378	S *	9/2010	Wysopal .....	D8/40
D625,579	S	10/2010	Lee et al.	
D636,659	S *	4/2011	Rothbaum et al. ....	D8/356
D639,963	S	6/2011	Kase	
8,002,159	B2	8/2011	Cragg	
D645,333	S *	9/2011	Rothbaum et al. ....	D8/356
8,103,352	B2	1/2012	Fried et al.	
D654,052	S *	2/2012	Lee et al. ....	D14/205
D660,740	S	5/2012	Cullen et al.	
8,261,416	B2	9/2012	Rothbaum et al.	
2001/0035242	A1	11/2001	Hughs et al.	

2002/0033271	A1	3/2002	Fritschle et al.
2002/0073516	A1	6/2002	Behar
2002/0112323	A1	8/2002	Nire
2003/0167605	A1	9/2003	Schultz
2005/0016760	A1	1/2005	Vasichek
2005/0025329	A1	2/2005	Lee
2005/0255898	A1	11/2005	Huang
2006/0008106	A1	1/2006	Harper
2006/0121962	A1	6/2006	Kohli
2006/0178041	A1	8/2006	Lund et al.
2006/0186150	A1	8/2006	Willows et al.
2007/0086617	A1	4/2007	Loh
2007/0152008	A1	7/2007	Case
2008/0041897	A1	2/2008	Malhotra
2008/0149679	A1	6/2008	Case et al.
2008/0164157	A1	7/2008	Sween et al.
2009/0013504	A1	1/2009	Crespo
2009/0016559	A1	1/2009	Cleary
2009/0314515	A1	12/2009	Bevirt et al.

FOREIGN PATENT DOCUMENTS

JP	63125493	U	8/1988
JP	11317995	A	11/1999
JP	2001169381	A	6/2001
JP	2003230418	A	8/2003
JP	2003319484	A	11/2003
JP	2006081130	A	3/2006
JP	2006-222712	A	8/2006
JP	2009212918	A	9/2009
KR	20-0301311		1/2003
WO	WO 2004/071056		8/2004

OTHER PUBLICATIONS

Headphone Cable Tidy—Pack of 3—Accessories for PDA, Smartphone . . . , printed Jun. 7, 2010, 1 page, [www.proporta.com/F02/PPF02P05.php?t\\_id=44528a\\_mode=des](http://www.proporta.com/F02/PPF02P05.php?t_id=44528a_mode=des) . . . .

Quogue Capital LLC et al., PCT/US2009/067927, Dec. 14, 2009, International Search Report and Written Opinion mailed Jul. 14, 2010, 8 pages.

*Sumajin Smart Wrap Earphone Cord Manager*, printed Jun. 7, 2010, 3 pages, [www.ilounge.com/index.php/reviews/entry/sumajin-smartwrap](http://www.ilounge.com/index.php/reviews/entry/sumajin-smartwrap) . . . .

*Use Magnetic Paper Clips to Keep Cords from Tangling*, printed Jun. 7, 2010, 5 pages, [www.geeksugar.com/Use-Magnetic-Paper-Clips-Keep-Cords-Froin-Tangling](http://www.geeksugar.com/Use-Magnetic-Paper-Clips-Keep-Cords-Froin-Tangling).

CJD LLC, PCT/US2010/031087, Apr. 14, 2010, International Search Report and Written Opinion mailed Apr. 29, 2011, 23 pages.

Rothbaum et al., PCT/US2010/053244, Oct. 19, 2010, International Search Report and Written Opinion mailed Jun. 24, 2011, 22 pages.

Rothbaum, Notice of Allowance, U.S. Appl. No. 29/368,746, Dec. 29, 2010, 8 pgs.

Rothbaum, Notice of Allowance, U.S. Appl. No. 29/368,755, May 15, 2012, 8 pgs.

Rothbaum, Notice of Allowance, U.S. Appl. No. 29/388,372, Jul. 14, 2011, 5 pgs.

Rothbaum, Notice of Allowance, U.S. Appl. No. 29/401,360, Sep. 28, 2012, 5 pgs.

Rothbaum, Notice of Allowance, U.S. Appl. No. 29/401,643, Sep. 18, 2012, 8 pgs.

Rothbaum, Notice of Allowance, U.S. Appl. No. 29/401,930, Nov. 23, 2012, 7 pgs.

Rothbaum, Office Action, U.S. Appl. No. 29/368,754, Jul. 19, 2011, 5 pgs.

\* cited by examiner

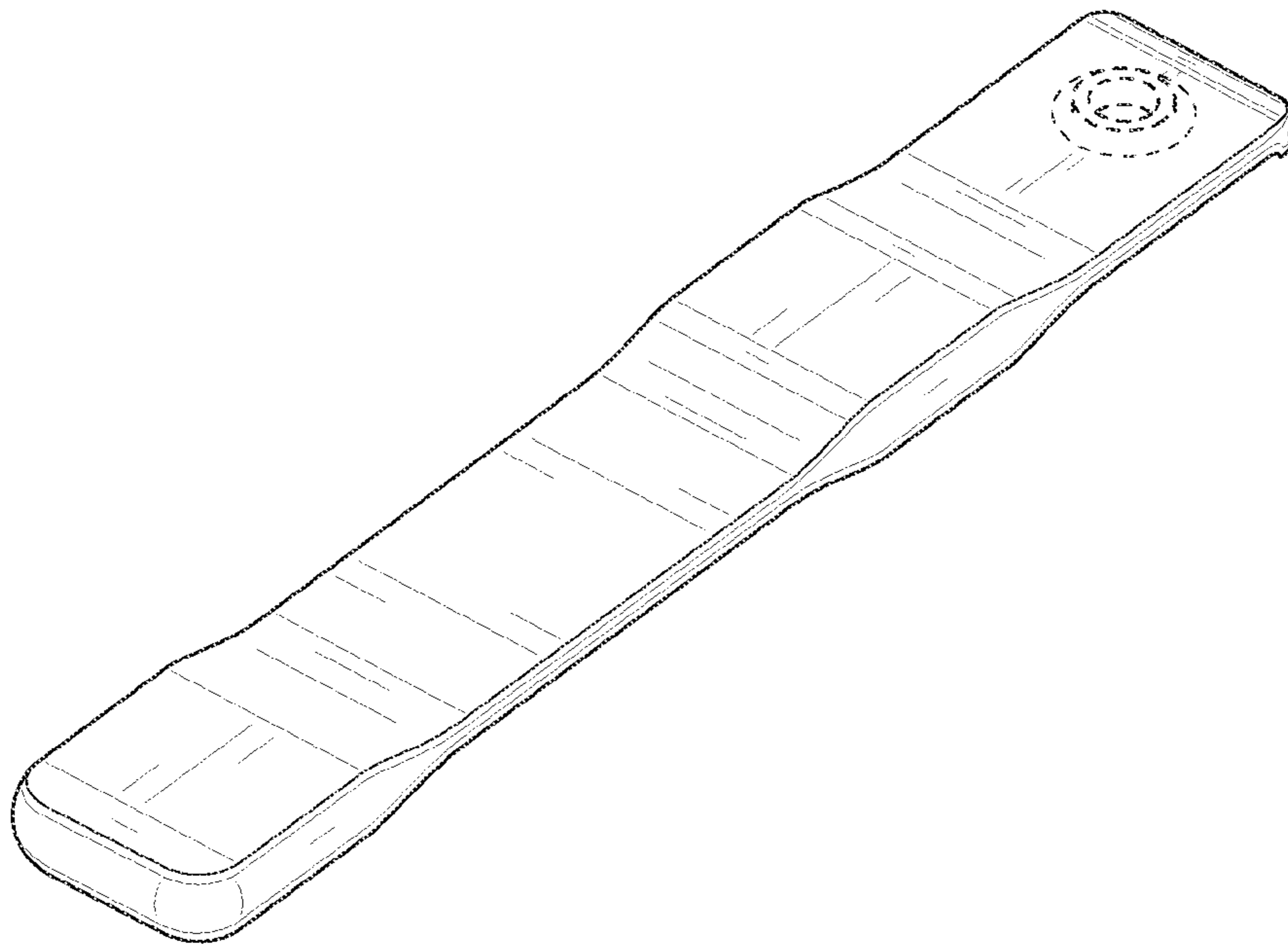


FIG. 1

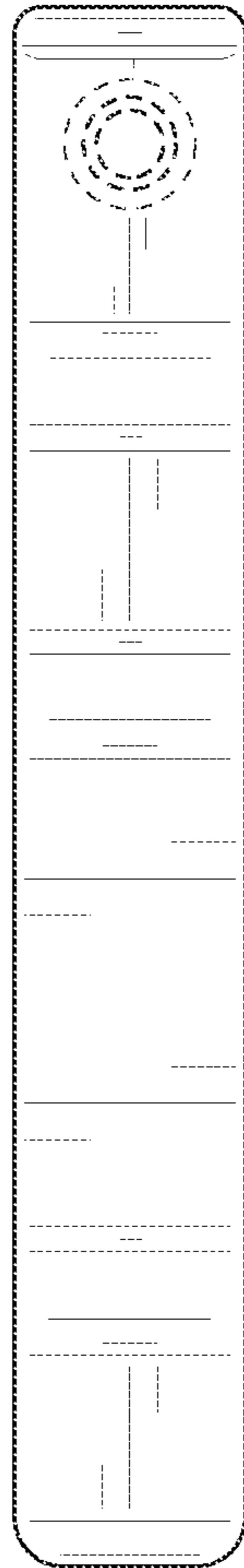


FIG. 2

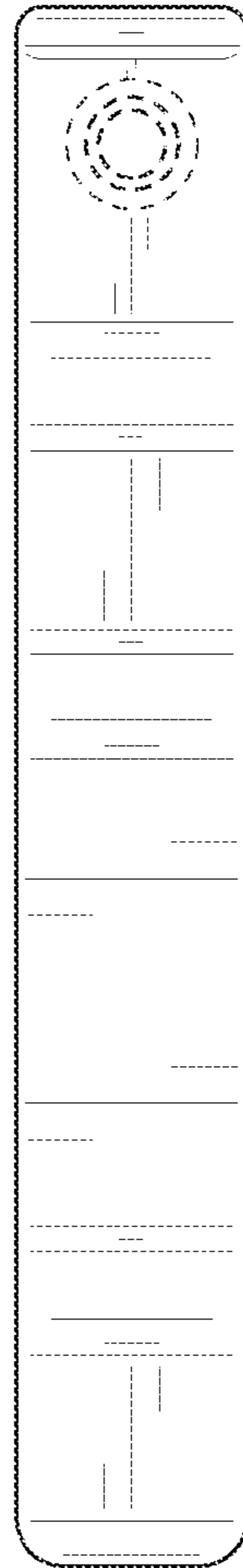


FIG. 3

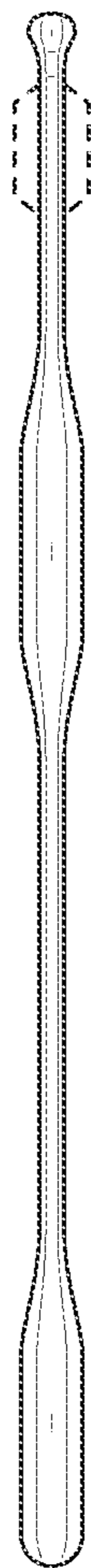


FIG. 4

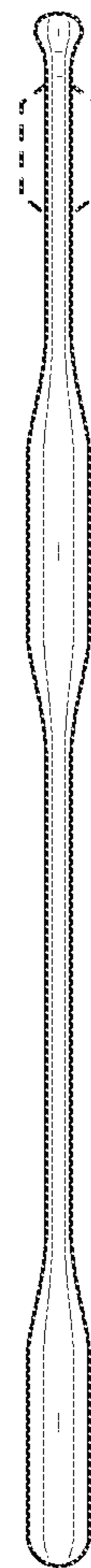


FIG. 5

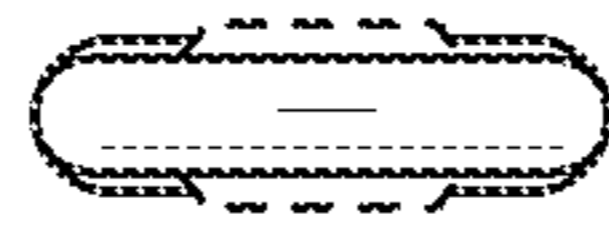


FIG. 6

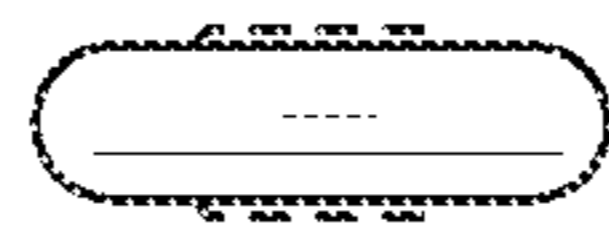


FIG. 7

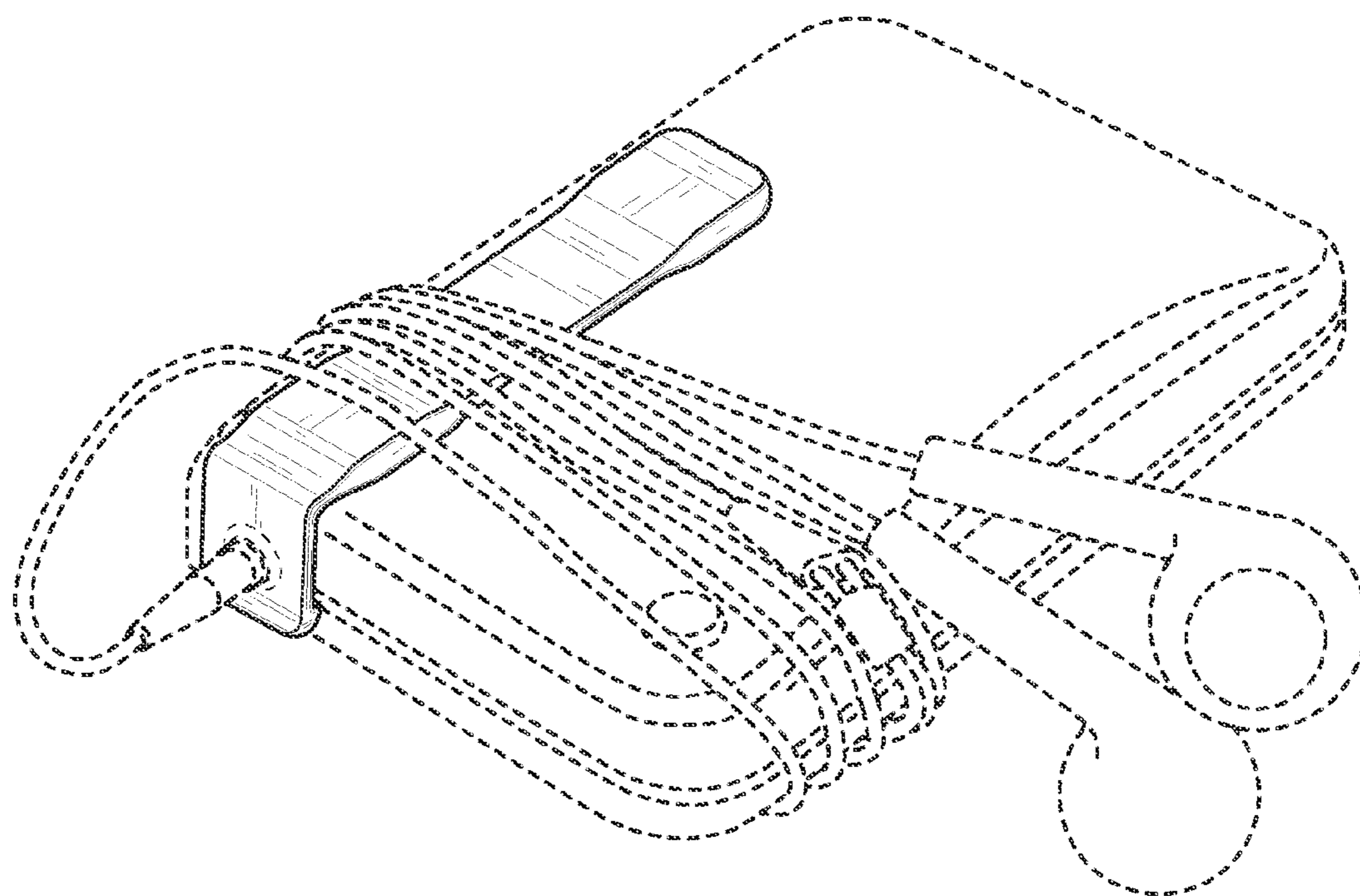


FIG. 8

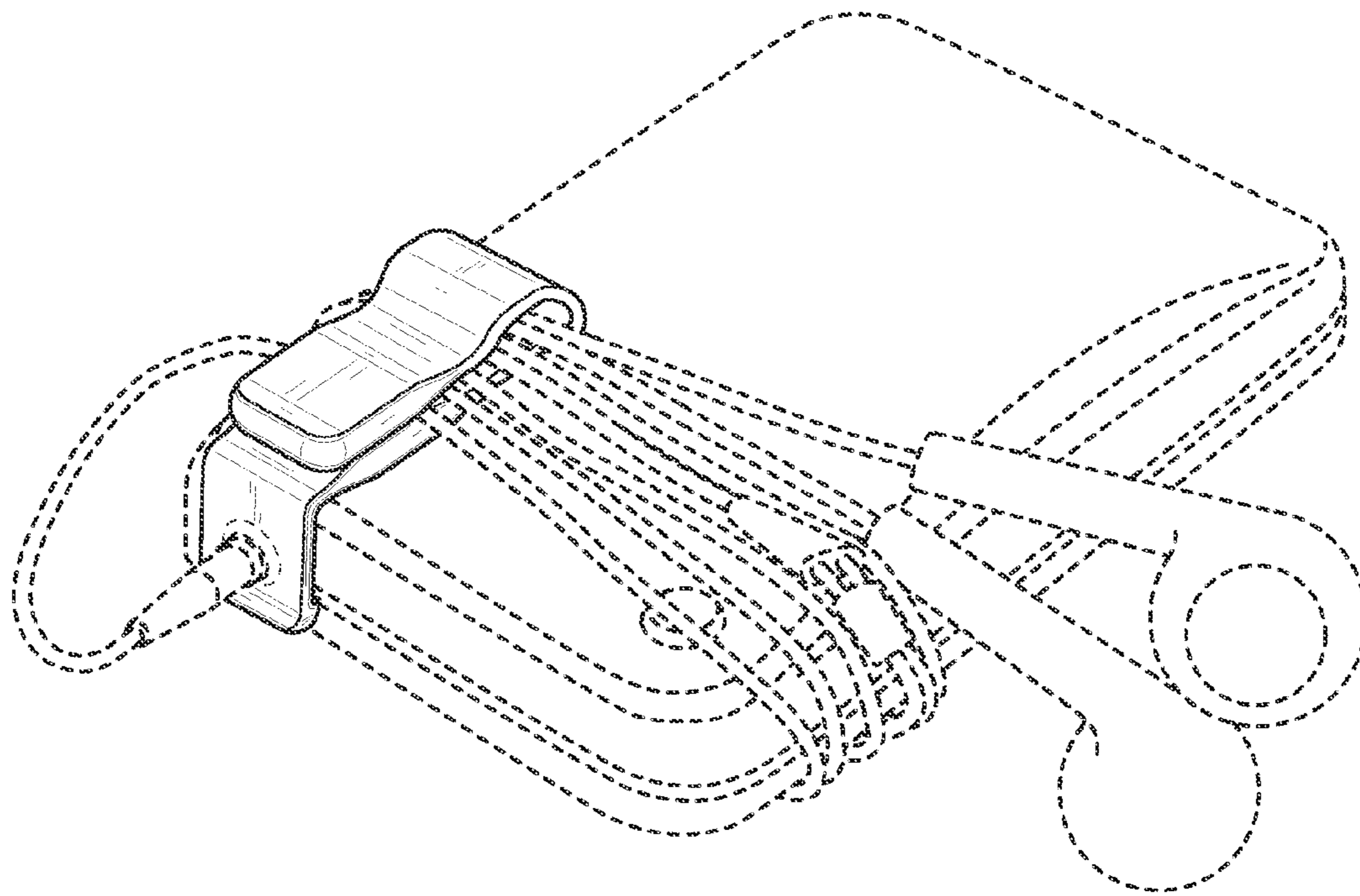


FIG. 9