



US00D682065S

(12) **United States Design Patent**
Gringer et al.

(10) **Patent No.:** **US D682,065 S**

(45) **Date of Patent:** **** May 14, 2013**

(54) **UTILITY KNIFE**

(75) Inventors: **Donald Gringer**, New York, NY (US);
Yuan Fang Cheng, Forest Hills, NY
(US)

(73) Assignee: **Allway Tools, Inc.**, Bronx, NY (US)

(**) Term: **14 Years**

(21) Appl. No.: **29/415,738**

(22) Filed: **Mar. 14, 2012**

(51) **LOC (9) Cl.** **08-03**

(52) **U.S. Cl.**
USPC **D8/98**

(58) **Field of Classification Search** D8/40,
D8/98-99, 102, 104-105, 107; 30/2, 154-162,
30/286-287, 294, 314, 317, 329-331, 337,
30/339, 353

See application file for complete search history.

(56) **References Cited**

U.S. PATENT DOCUMENTS

D249,325 S *	9/1978	Rollband	D8/99
D294,797 S	3/1988	Itoh		
D305,499 S *	1/1990	Walker	D8/98
D320,150 S *	9/1991	Huang	D8/98
D323,967 S	2/1992	Talbot		
D329,584 S	9/1992	Shevin et al.		
D338,607 S *	8/1993	Anderson	D8/98
5,282,316 A *	2/1994	Anderson	30/294
5,522,135 A	6/1996	Votolato		
5,581,893 A	12/1996	Ouellette		
D377,595 S	1/1997	Wiezenhal		
5,613,300 A	3/1997	Schmidt		
D381,886 S	8/1997	Domenico		
5,697,157 A	12/1997	Votolato		
5,720,062 A	2/1998	Vaught		
5,813,121 A *	9/1998	Gringer	30/162
5,819,419 A	10/1998	Schmidt		
D401,492 S *	11/1998	Joseph, Jr.	D8/98

5,829,321 A	11/1998	Domenico		
5,852,874 A	12/1998	Walker		
5,890,290 A	4/1999	Davis		
6,003,181 A	12/1999	Wenk		
D420,270 S *	2/2000	Martone	D8/99
D421,889 S	3/2000	Moore		
6,035,534 A	3/2000	Abbot		
6,070,326 A	6/2000	Berns		
6,178,640 B1	1/2001	Votolato		
D438,084 S *	2/2001	Khachatoorian	D8/99
D439,492 S *	3/2001	Martone et al.	D8/99

(Continued)

OTHER PUBLICATIONS

Allway Safety Knife with Film Cutter. Downloaded at <http://allwaytools.com/product/safety-knife-w-film-cutter-w-6-blades-dsrk-b6/> on Jun. 8, 2012.*

(Continued)

Primary Examiner — Philip S Hyder

Assistant Examiner — Roselynn Cody

(74) *Attorney, Agent, or Firm* — Gottlieb, Rackman & Reisman, P.C.

(57) **CLAIM**

The ornamental design for a utility knife, as shown and described.

DESCRIPTION

FIG. 1 is a front, top and right side perspective view of the utility knife showing our new design;
FIG. 2 is a left side elevational view thereof;
FIG. 3 is a top plan view thereof;
FIG. 4 is a front elevational view thereof;
FIG. 5 is a rear elevational view thereof; and,
FIG. 6 is a bottom plan view thereof.
The broken lines in FIGS. 1-6 are for illustrative purposes only and form no part of the claimed design.

1 Claim, 3 Drawing Sheets



US D682,065 S

Page 2

U.S. PATENT DOCUMENTS

D439,493 S 3/2001 Chen
D454,042 S * 3/2002 Hsu D8/99
6,374,496 B1 * 4/2002 Hsu 30/162
6,374,497 B1 * 4/2002 Sun 30/162
6,513,249 B2 * 2/2003 Linton et al. 30/286
D474,668 S * 5/2003 McDonald et al. D8/98
D476,214 S * 6/2003 Hsu D8/99
6,578,266 B2 6/2003 Chomiak
6,637,112 B2 10/2003 Davis
D481,609 S 11/2003 Perlmutter et al.
D498,404 S 11/2004 Schmidt
6,832,438 B1 * 12/2004 Gringer et al. 30/162
D508,390 S * 8/2005 Trbovich, Jr. D8/98
D521,844 S 5/2006 Kempker et al.
D524,138 S * 7/2006 Chih D8/99
D524,629 S * 7/2006 Wu D8/99
D527,604 S 9/2006 Kempker et al.
D558,555 S * 1/2008 Huang D8/99
7,325,313 B2 * 2/2008 Gringer et al. 30/162
D565,382 S * 4/2008 Watanabe D8/99
D571,180 S 6/2008 Marshall

D573,436 S * 7/2008 Wu D8/99
D575,613 S * 8/2008 Jennings D8/98
D582,746 S * 12/2008 Neiser D8/98
D592,034 S * 5/2009 Huang D8/99
7,533,595 B2 5/2009 Domenico
D607,707 S * 1/2010 Huang D8/99
D621,678 S * 8/2010 Huang D8/104
D629,274 S * 12/2010 Wu D8/99
D649,001 S * 11/2011 Still D8/105
2002/0194734 A1 * 12/2002 Huang 30/2
2007/0017100 A1 * 1/2007 Gringer et al. 30/162
2009/0235533 A1 * 9/2009 Huang 30/143
2009/0255970 A1 * 10/2009 Votolato 224/660
2012/0047747 A1 * 3/2012 Jennings et al. 30/162

OTHER PUBLICATIONS

Better Tools Full Line Catalog, www.better-tools.com, 2007.
Safecutting, Michigan Safety Products, www.safecutting.com, 2011.
Vanguard Technetics, Inc., SafetyKnife.com, 2011.

* cited by examiner

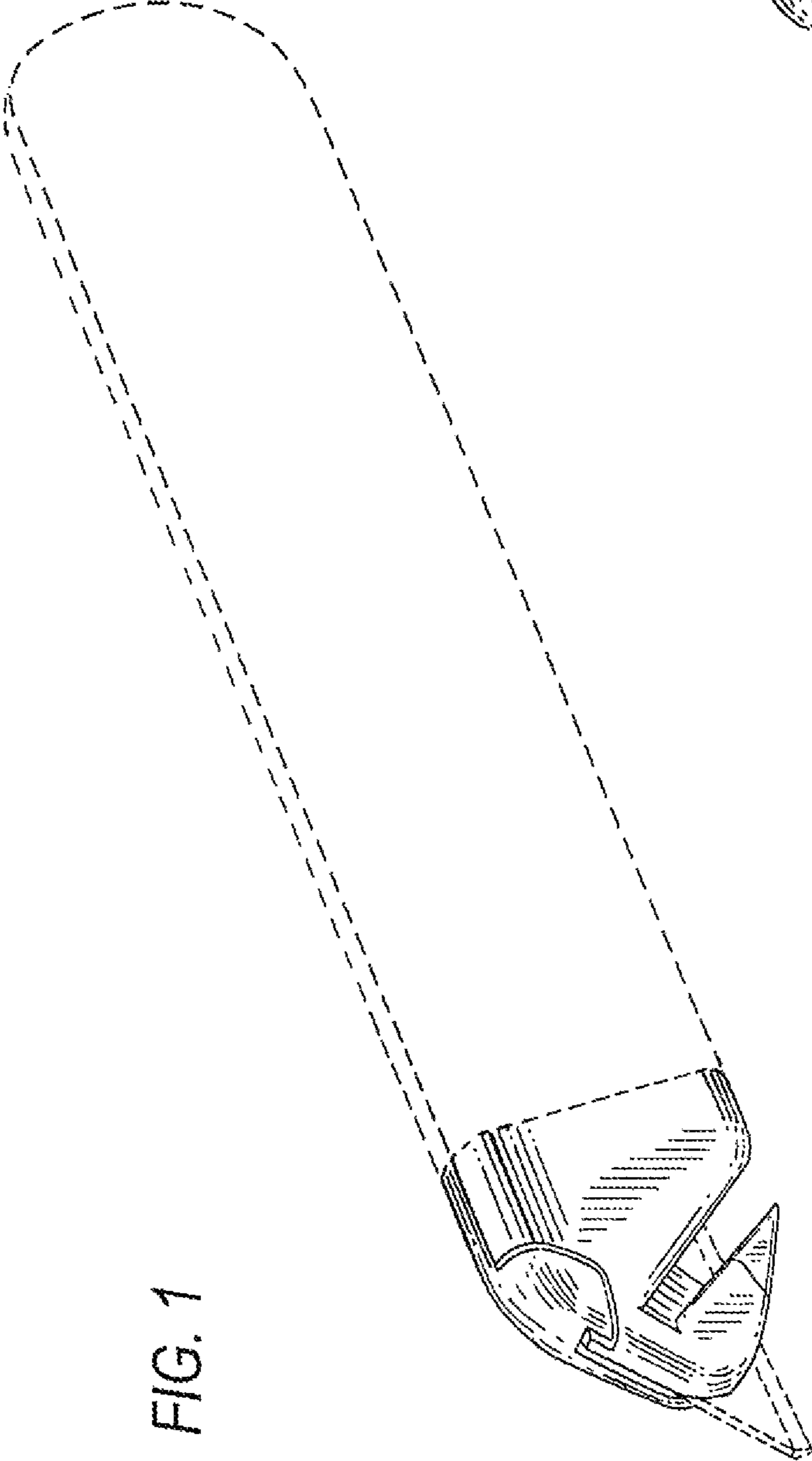


FIG. 1

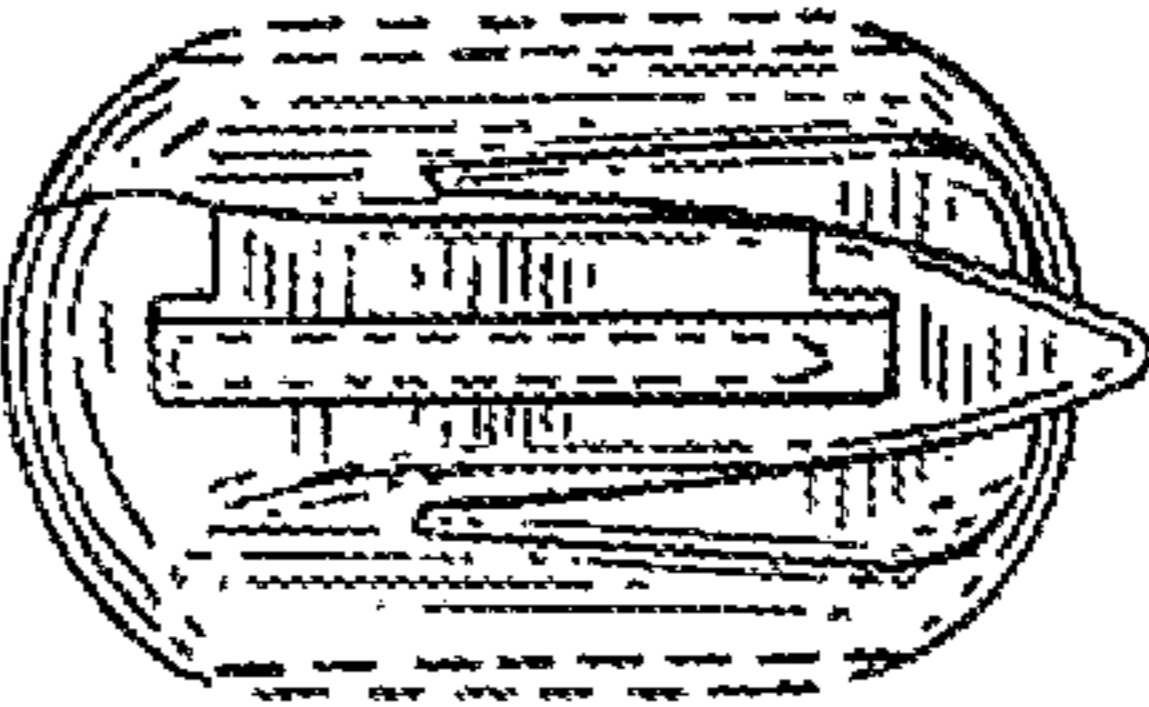


FIG. 2

FIG. 3

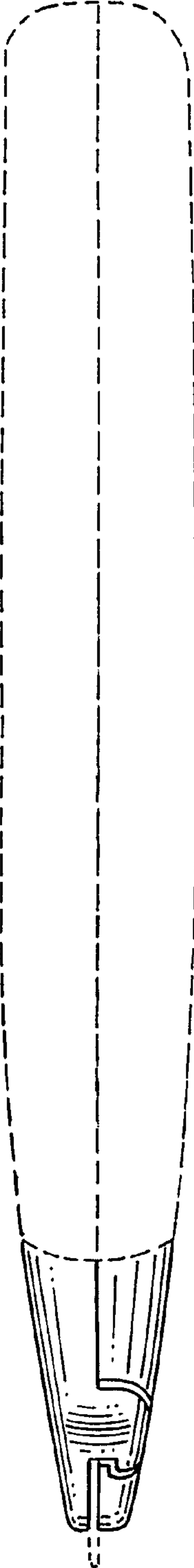
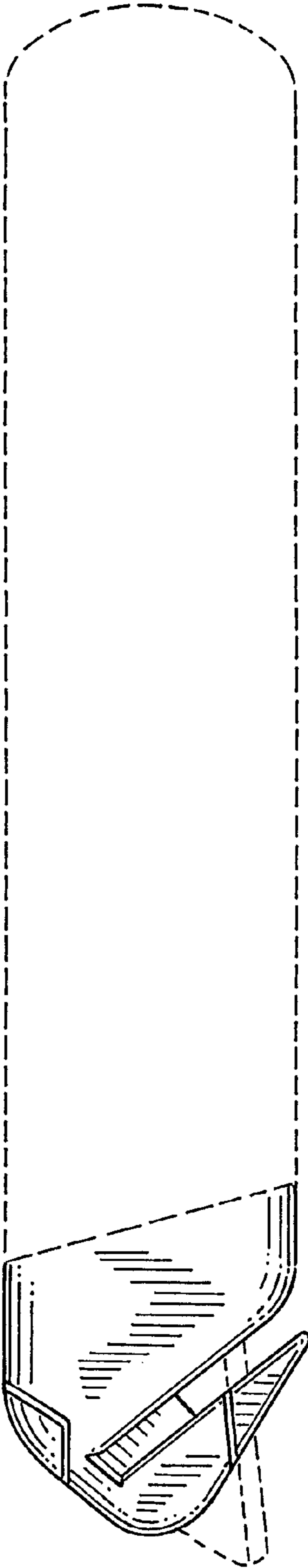


FIG. 4



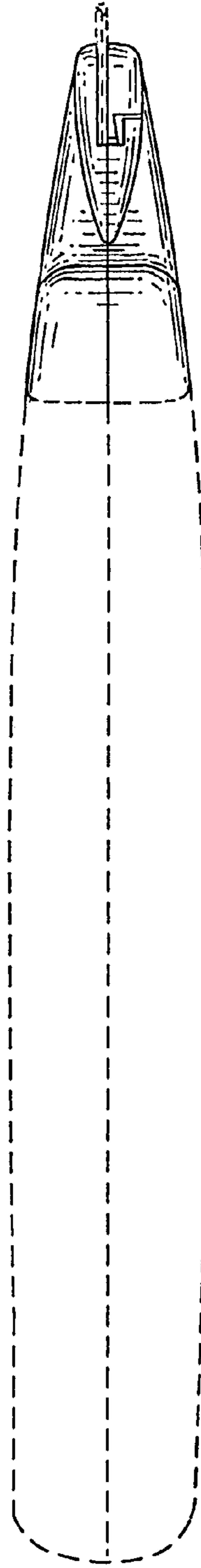
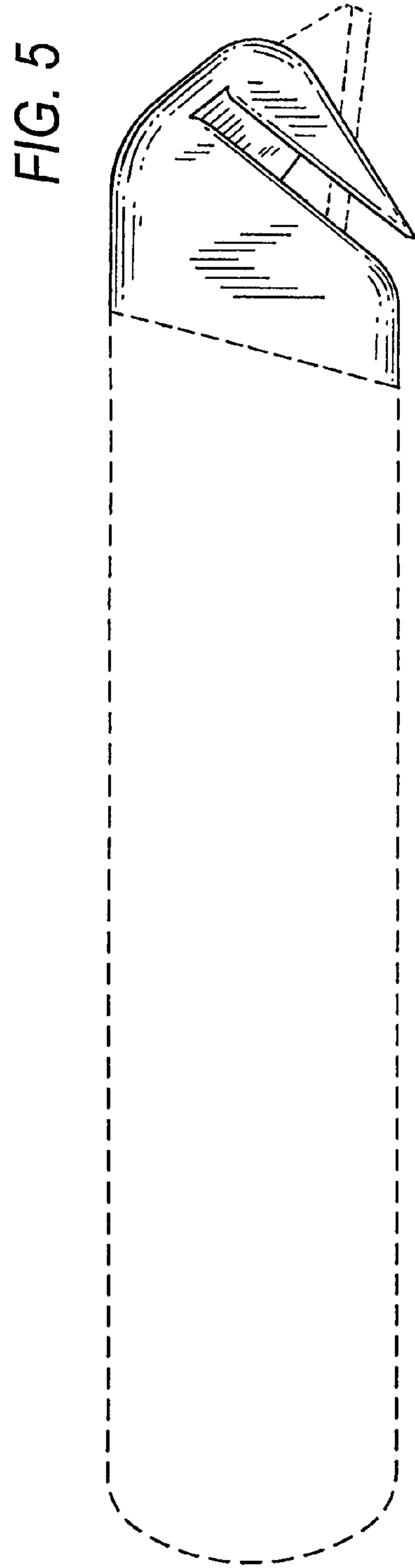


FIG. 6