



US00D682061S

(12) **United States Design Patent**
Greiner

(10) **Patent No.:** **US D682,061 S**

(45) **Date of Patent:** **** May 14, 2013**

(54) **MULTIFUNCTIONAL OPENER FOR BOTTLES AND CANS**

(75) Inventor: **Ulrich Greiner**, Neu-Ulm (DE)

(73) Assignee: **MOHA Moderne Haushaltwaren AG**, Vernier (CH)

(**) Term: **14 Years**

(21) Appl. No.: **29/373,682**

(22) Filed: **May 9, 2011**

(30) **Foreign Application Priority Data**

Nov. 9, 2010 (WO) 572580301
Nov. 9, 2010 (WO) DM/074763

(51) **LOC (9) Cl.** **07-99**

(52) **U.S. Cl.**
USPC **D8/41**

(58) **Field of Classification Search** D8/14,
D8/16-19, 33-43, 88, 89, 105; 7/113, 151-156;
30/400-410, 416-430, 433, 434, 443, 450;
81/3.07, 3.09, 3.2, 3.27, 3.29, 3.31, 3.35,
81/3.37, 3.4, 3.45, 3.48, 3.49, 3.55
See application file for complete search history.

(56) **References Cited**

U.S. PATENT DOCUMENTS

D326,039 S * 5/1992 Viemeister D8/33
D392,857 S * 3/1998 Lallemand D8/36
D407,283 S * 3/1999 Schwab D8/40
D442,044 S * 5/2001 Juhlin et al. D8/39
D491,776 S * 6/2004 Kehoe D8/41
D501,772 S * 2/2005 Overthun et al. D8/40
D519,343 S * 4/2006 Mazzei D8/40

D520,826 S * 5/2006 Parlowski D8/41
D522,824 S * 6/2006 McGuyer D8/41
D567,608 S * 4/2008 Greiner D8/41
D591,118 S * 4/2009 Eide et al. D8/40
D625,163 S * 10/2010 Moman D8/38

* cited by examiner

Primary Examiner — Garth Rademaker

(74) *Attorney, Agent, or Firm* — Pauley Petersen & Erickson

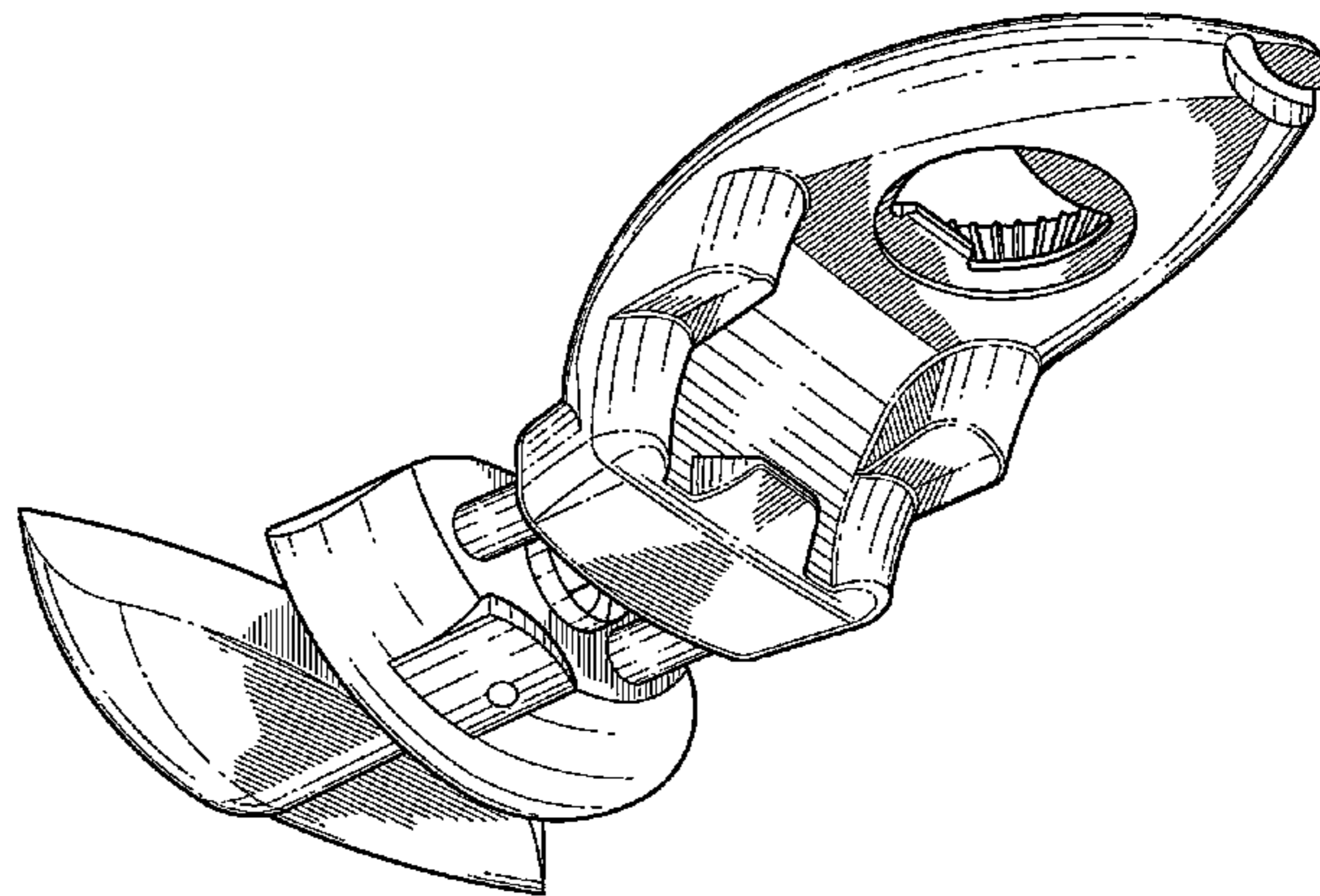
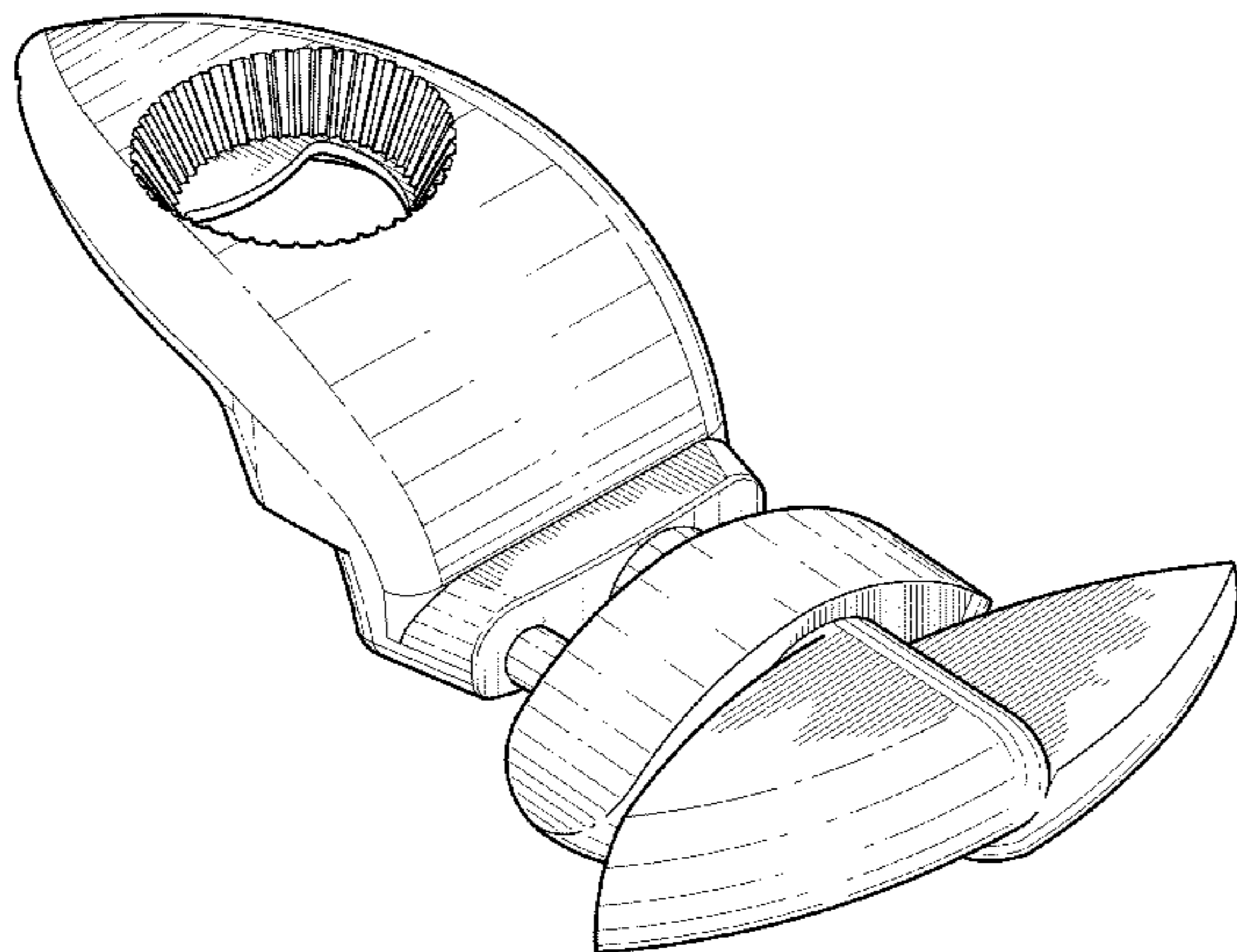
(57) **CLAIM**

The ornamental design for a multifunctional opener for bottles and cans, as shown and described.

DESCRIPTION

FIG. 1 is a side view of a multifunctional opener for bottles and cans, according to one embodiment of this invention; FIG. 2 is a rear view of the multifunctional opener for bottles and cans, as shown in FIG. 1; FIG. 3 is a front view of the multifunctional opener for bottles and cans, as shown in FIG. 1; FIG. 4 is a bottom view of the multifunctional opener for bottles and cans, as shown in FIG. 1; FIG. 5 is a top view of the multifunctional opener for bottles and cans, as shown in FIG. 1; FIG. 6 is a front perspective view of a multifunctional opener for bottles and cans, as shown in FIGS. 1-5; FIG. 7 is a rear perspective view of the multifunctional opener for bottles and cans, as shown in FIGS. 1-5; FIG. 8 is a front perspective view of a multifunctional opener for bottles and cans, according to another embodiment of this invention; and, FIG. 9 is a rear perspective view of the multifunctional opener for bottles and cans, as shown in FIG. 8.

1 Claim, 9 Drawing Sheets



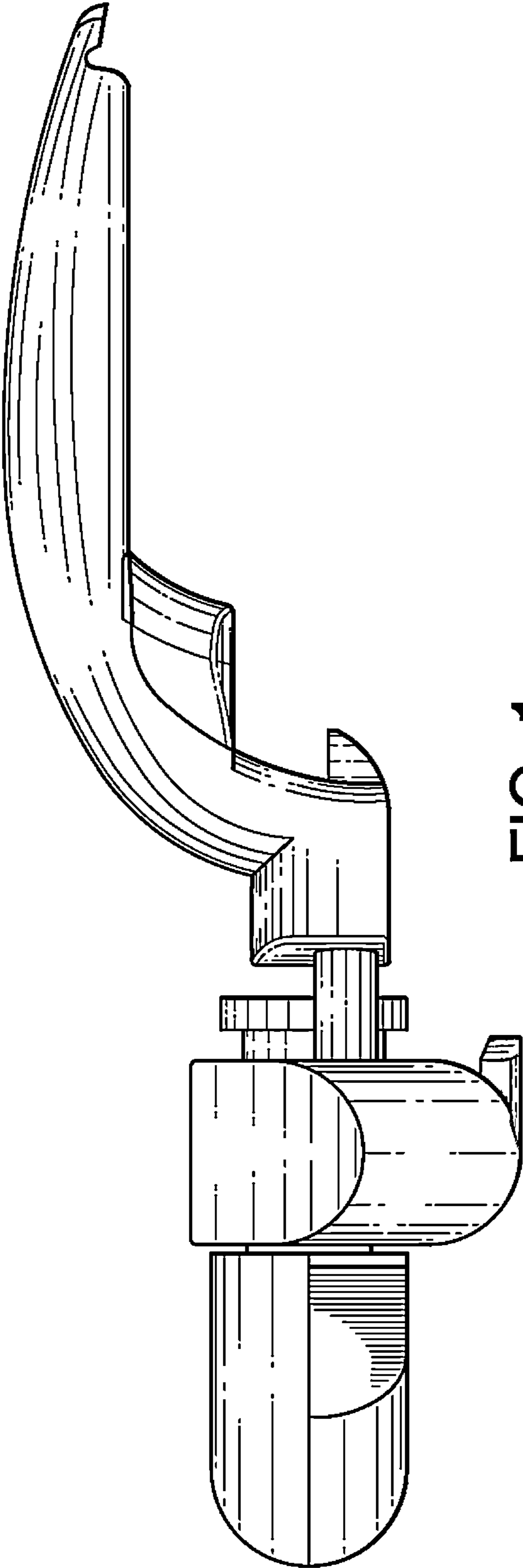


FIG. 1

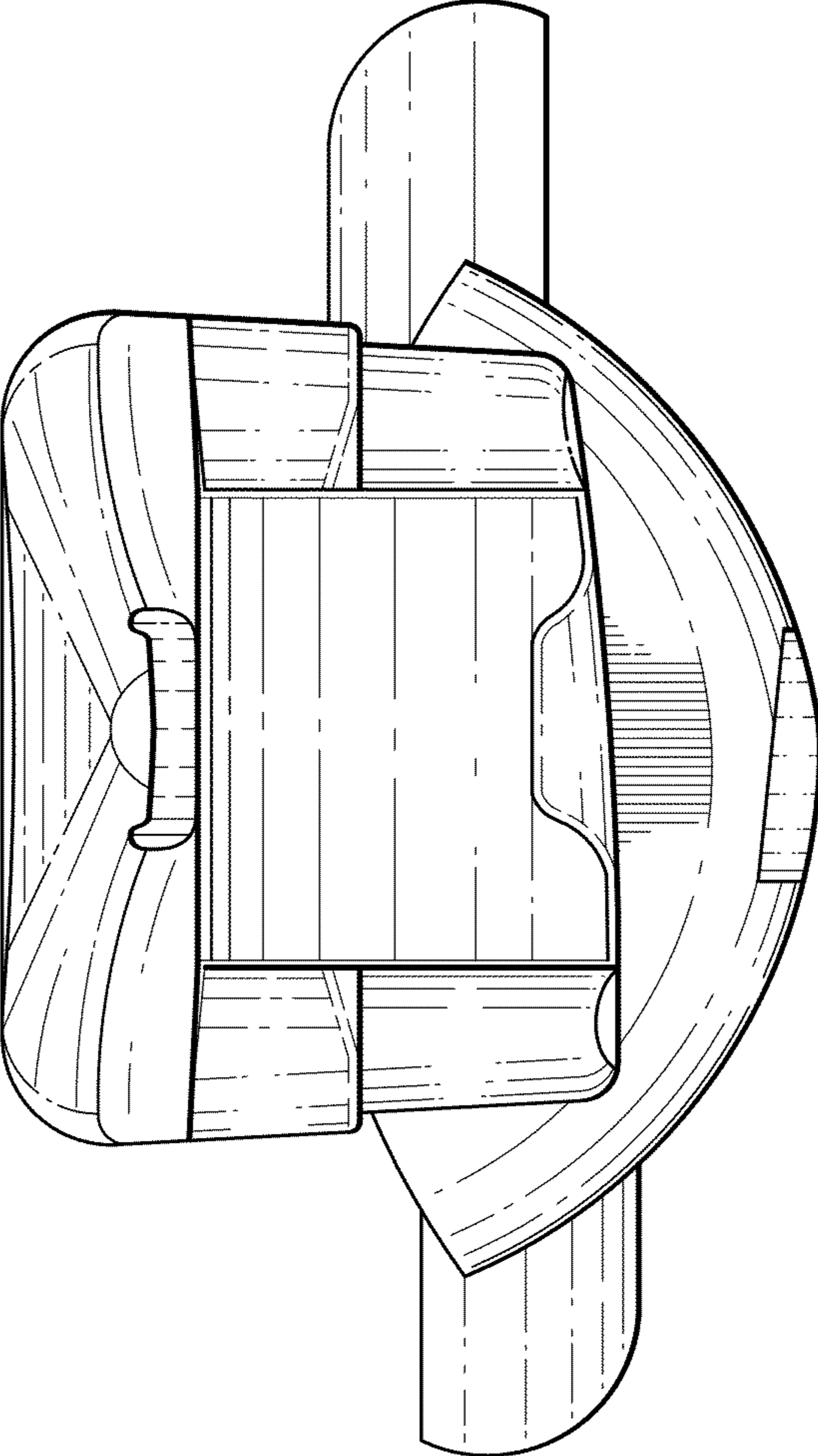


FIG. 2

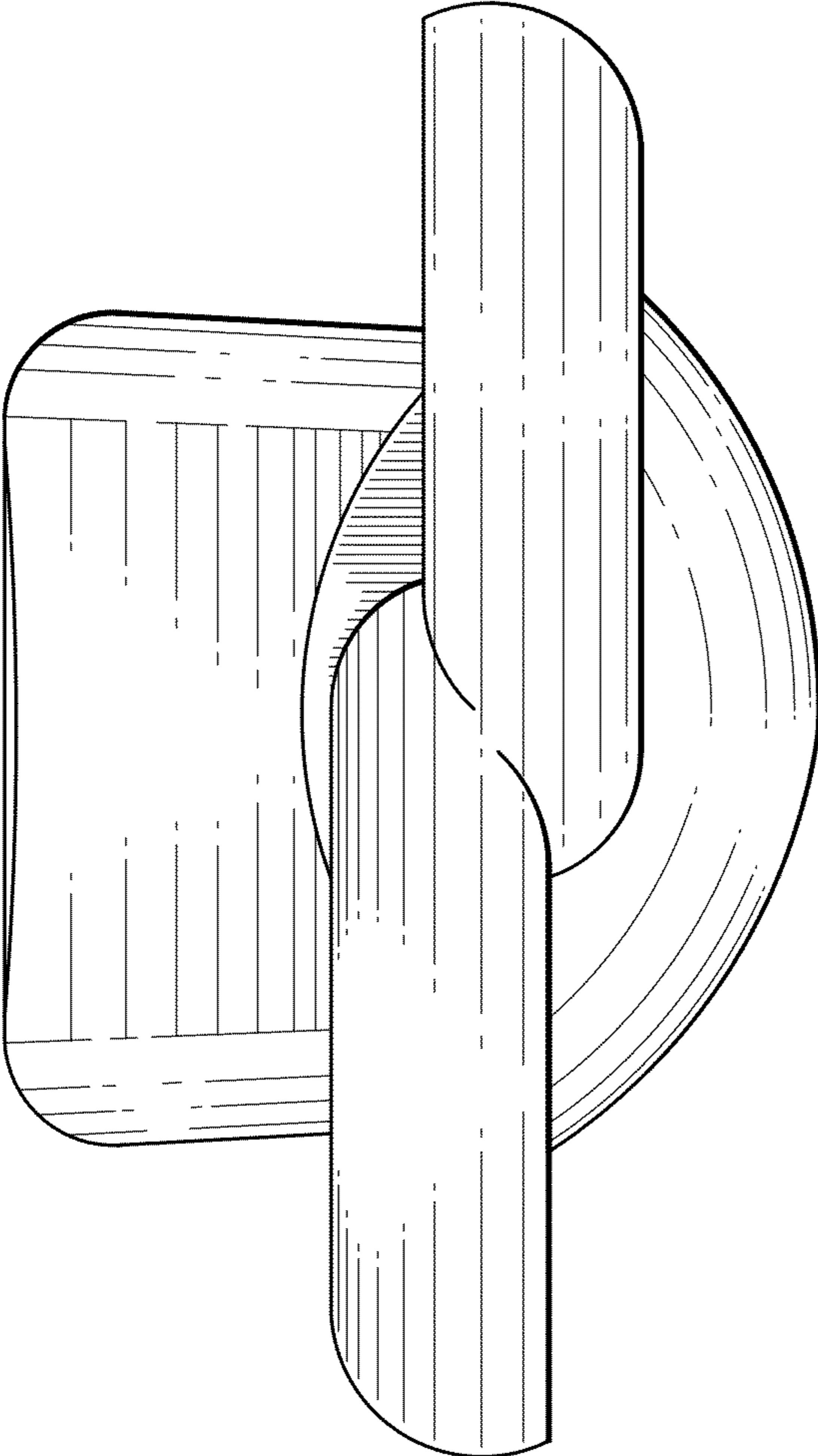


FIG. 3

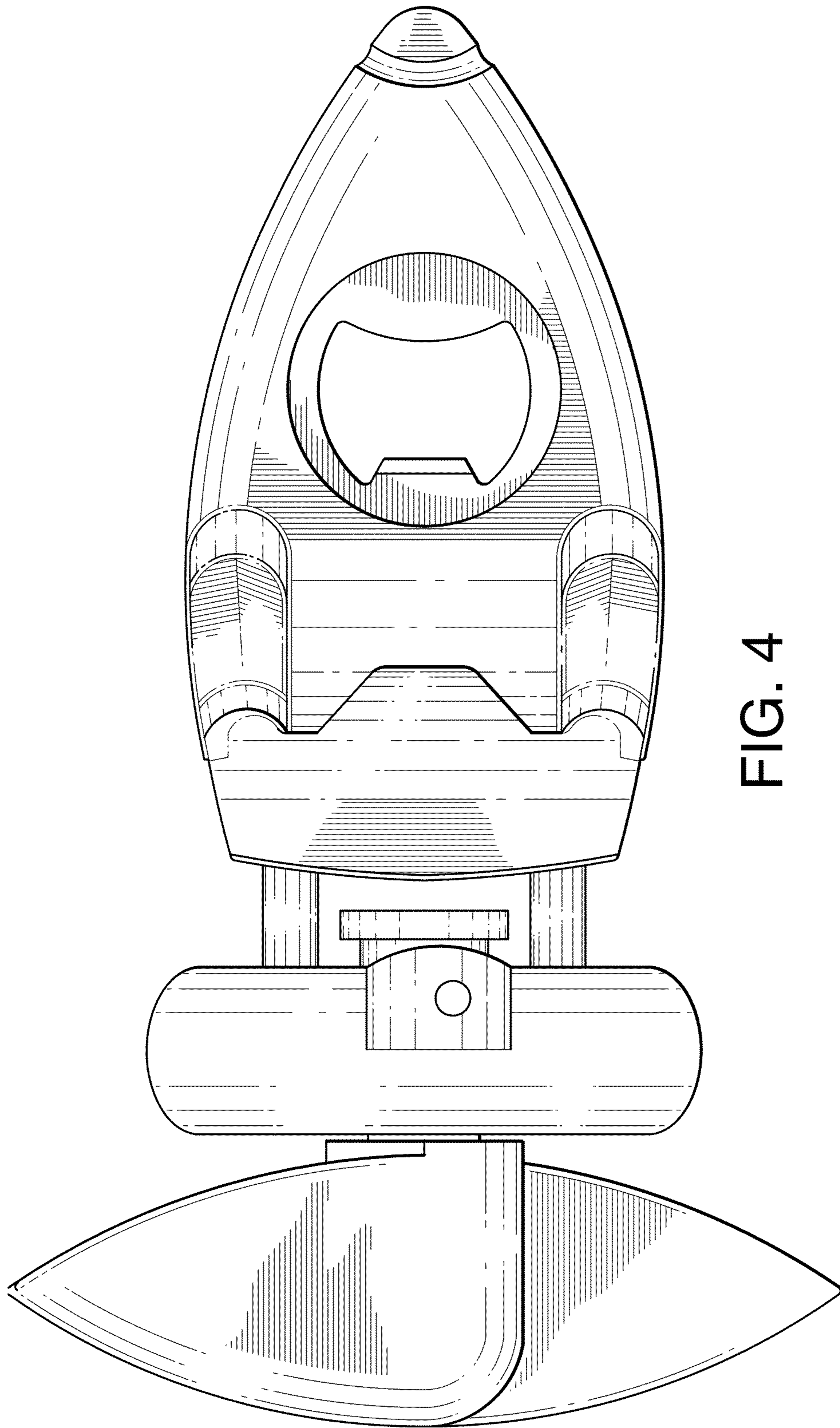


FIG. 4

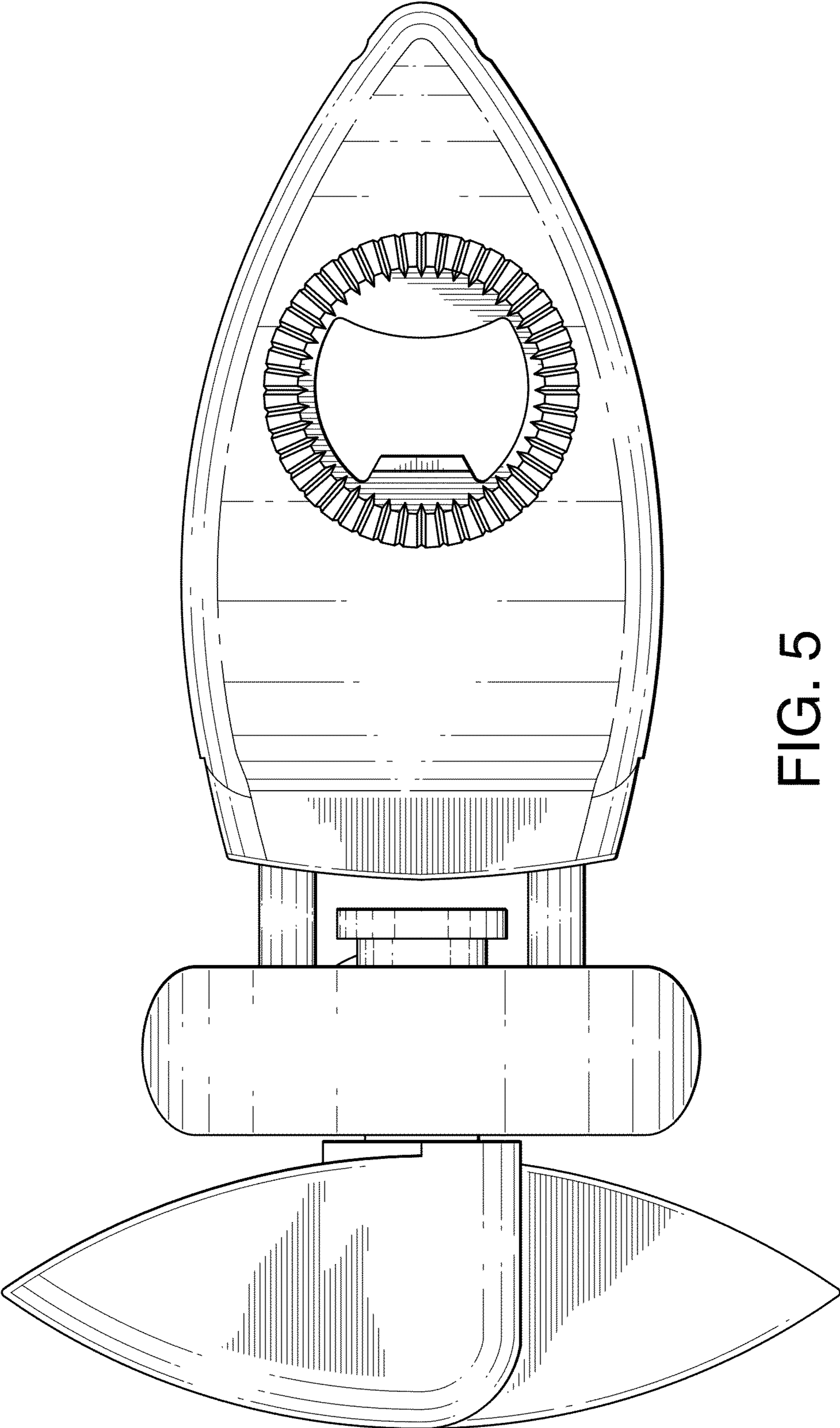


FIG. 5

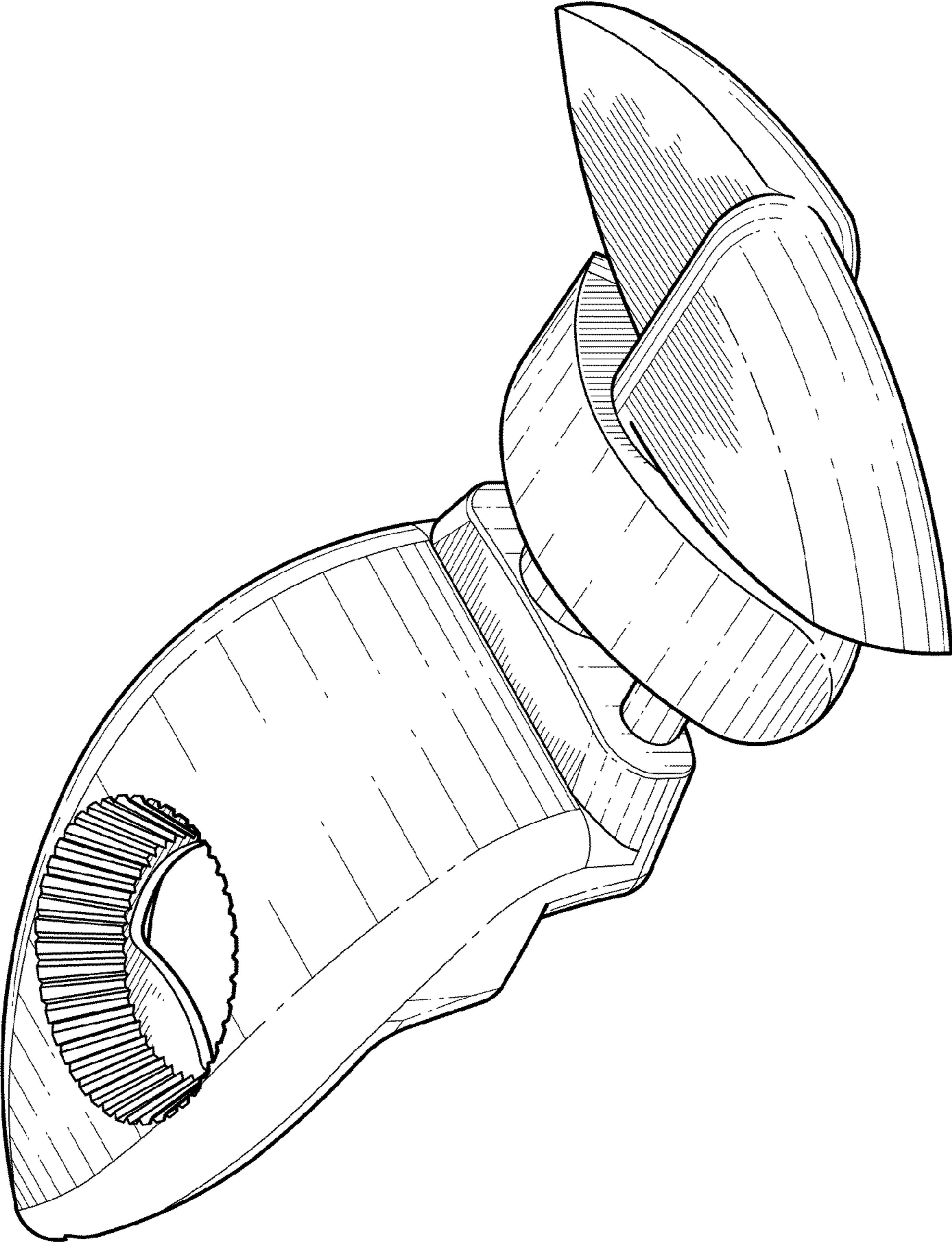


FIG. 6

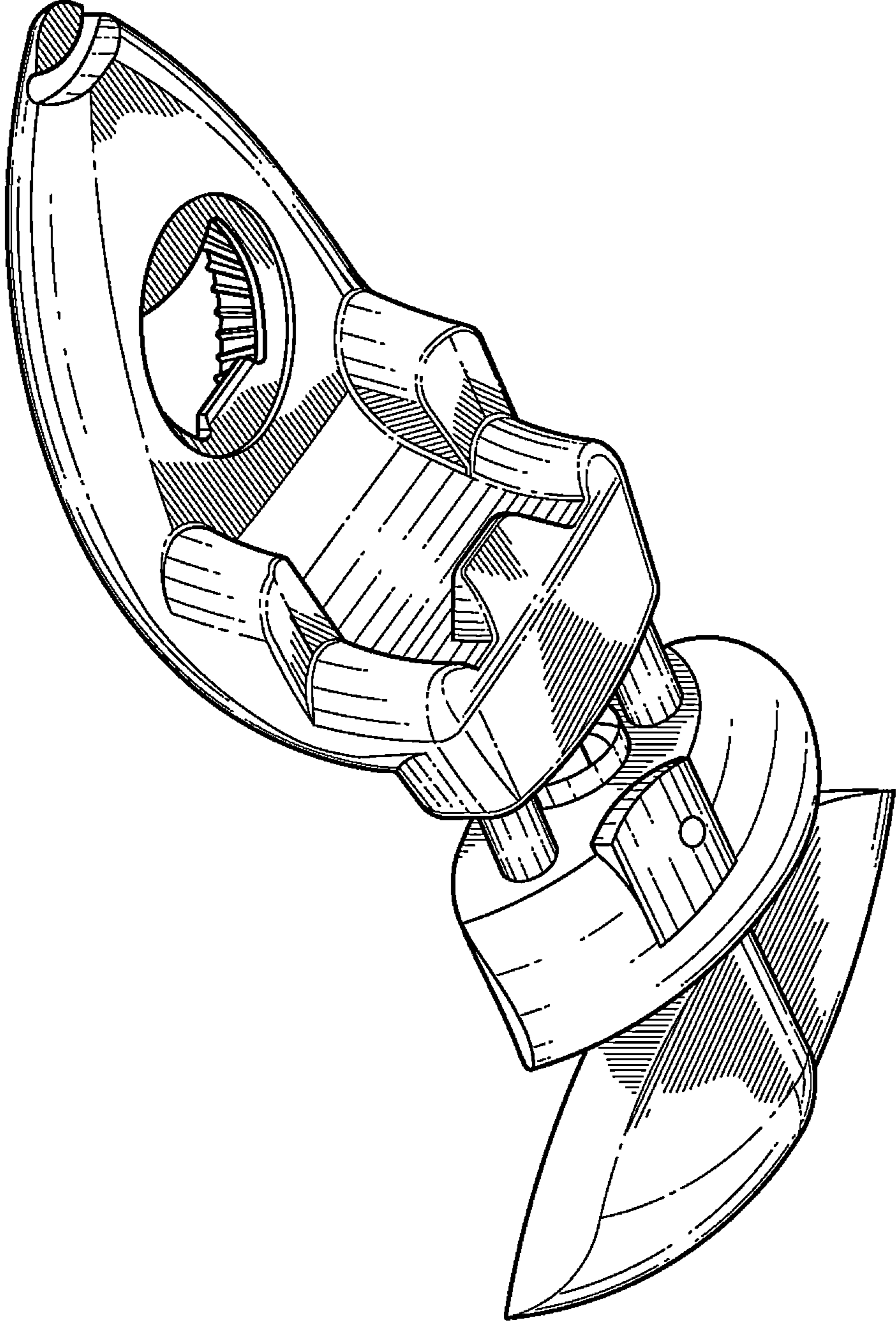


FIG. 7

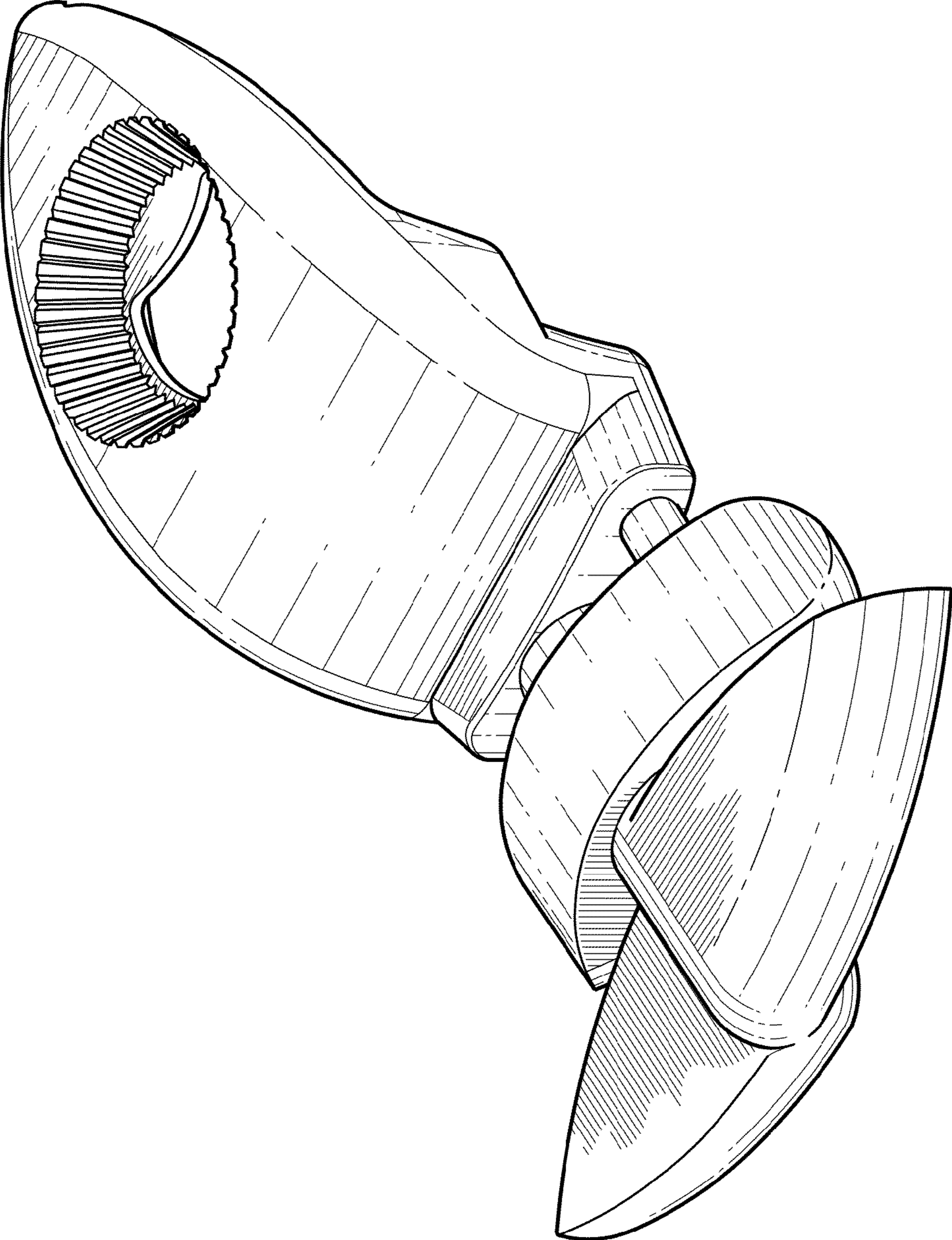


FIG. 8

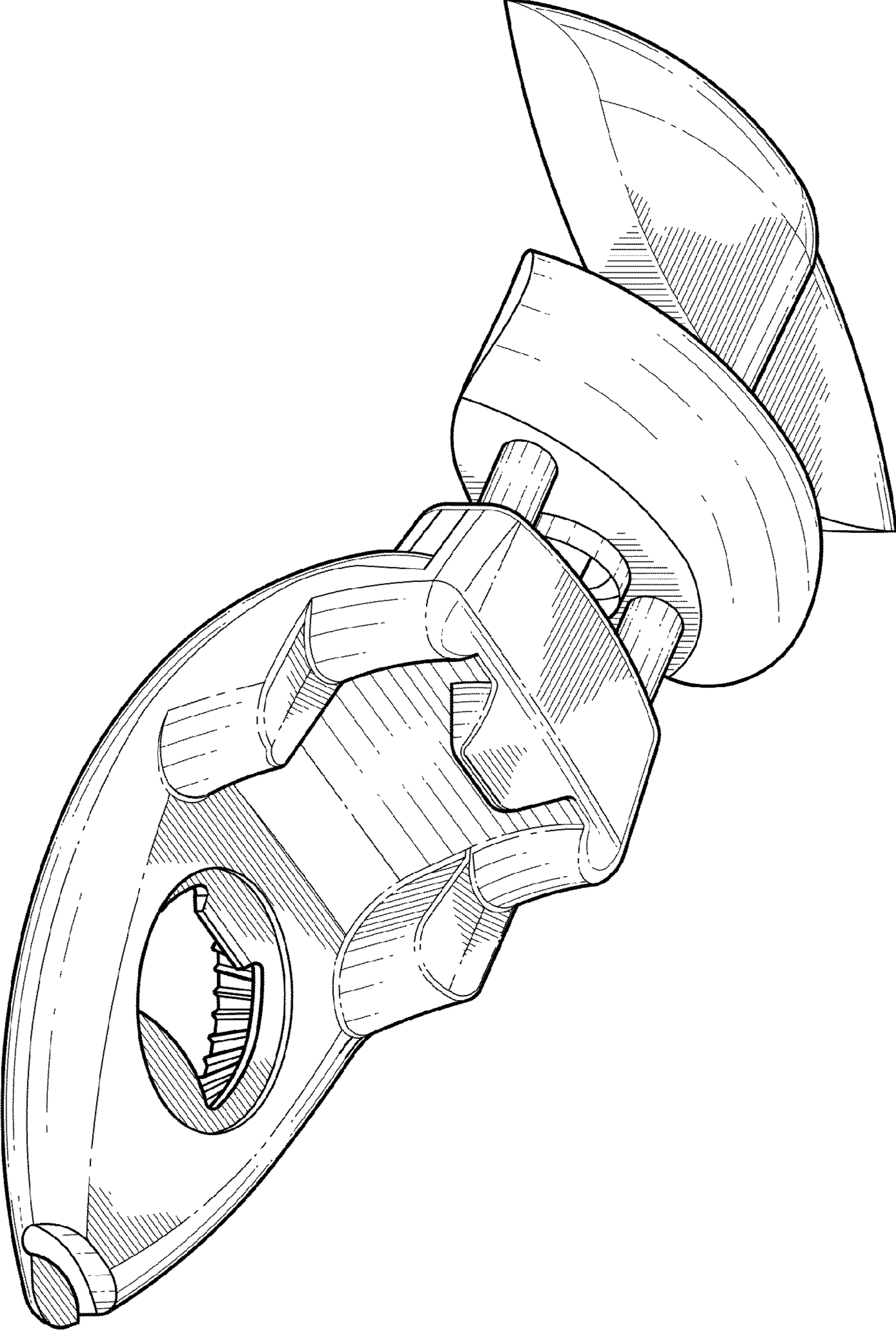


FIG. 9