



US00D682059S

(12) **United States Design Patent**
Corredor-Londoño

(10) **Patent No.:** **US D682,059 S**

(45) **Date of Patent:** **** *May 14, 2013**

(54) **CAN OPENER**

(76) Inventor: **Pablo Enrique Corredor-Londoño**,
Hialeah, FL (US)

(*) Notice: This patent is subject to a terminal disclaimer.

(**) Term: **14 Years**

(21) Appl. No.: **29/420,347**

(22) Filed: **May 8, 2012**

(51) **LOC (9) Cl.** **07-99**

(52) **U.S. Cl.**
USPC **D8/38; D8/33**

(58) **Field of Classification Search** D8/14,
D8/16-19, 333-43, 88, 89, 105; 7/113, 151-156;
30/400-410, 416-430, 433, 434, 443, 450;
81/3.07, 3.09, 3.2, 3.27, 3.29, 3.31, 3.35,
81/3.37, 3.4, 3.45, 3.48, 3.49, 3.55
See application file for complete search history.

(56) **References Cited**

U.S. PATENT DOCUMENTS

4,073,205 A * 2/1978 Silliman 81/3.09
D296,754 S * 7/1988 Ahumada D8/38
6,957,599 B2 * 10/2005 Corredor et al. 81/3.09
D603,670 S * 11/2009 Corredor-Londoño D8/33

D662,376 S * 6/2012 Corredor-Londono D8/38
D662,377 S * 6/2012 Corredor Londono D8/38
D662,378 S * 6/2012 Corredor Londono D8/38
D662,379 S * 6/2012 Corredor Londono D8/38
D662,380 S * 6/2012 Corredor Londono D8/38
D662,381 S * 6/2012 Corredor Londono D8/38
D662,382 S * 6/2012 Corredor Londono D8/38
D665,240 S * 8/2012 Corredor Londono D8/38

* cited by examiner

Primary Examiner — Garth Rademaker

(74) *Attorney, Agent, or Firm* — Albert Bordas, P.A.

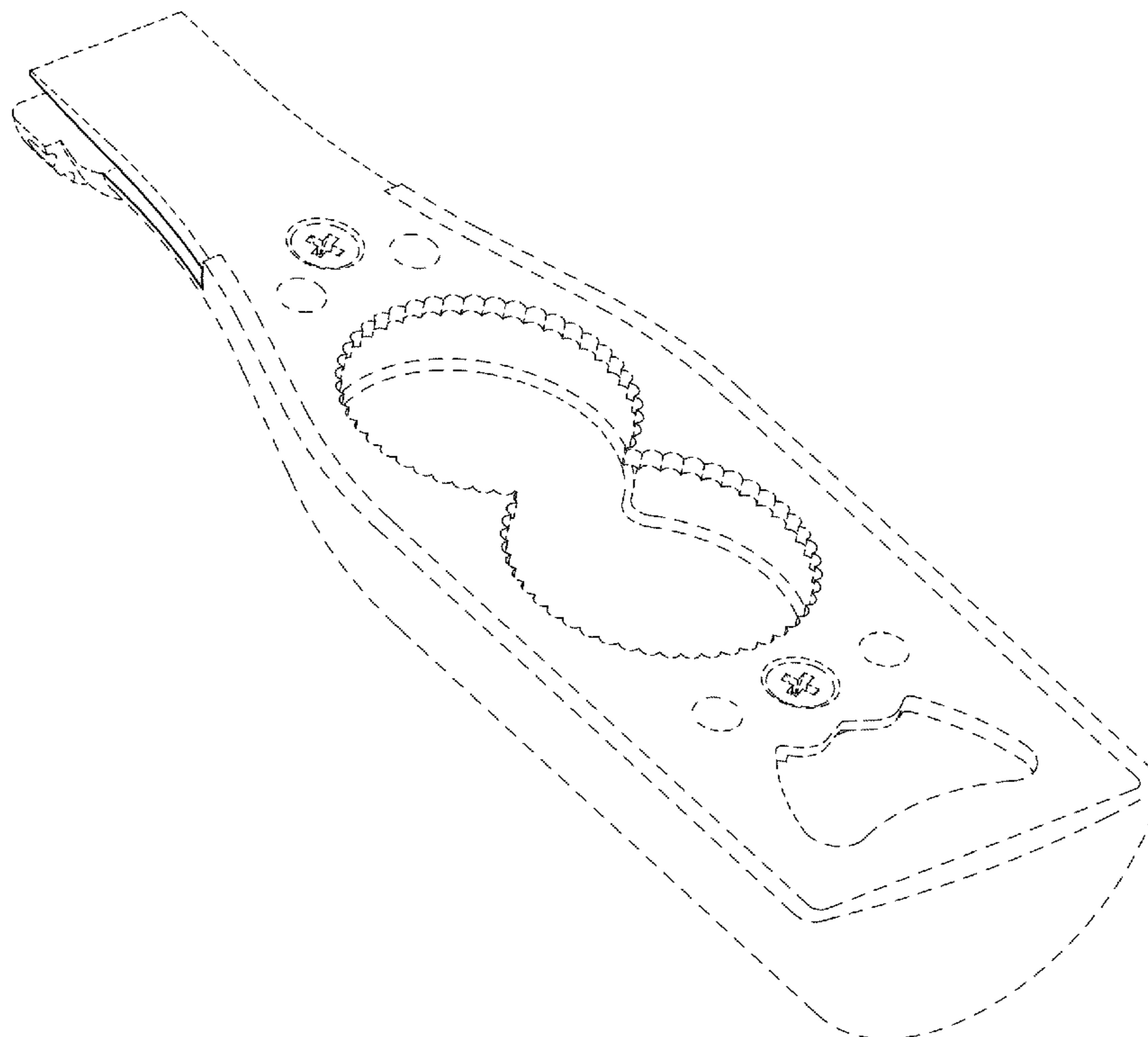
(57) **CLAIM**

The ornamental design for a can opener, as shown and described.

DESCRIPTION

FIG. 1 is a top plan view of a can opener;
FIG. 2 is a front elevational view thereof;
FIG. 3 is a bottom plan view thereof;
FIG. 4 is a left elevational view thereof, the right elevational view being a mirror image thereof;
FIG. 5 is a rear elevational view thereof;
FIG. 6 is a perspective view thereof; and,
FIG. 7 is the view shown in FIG. 1 at a large scale.
The broken lines are for environmental purposes only and form no part of the claimed design.

1 Claim, 4 Drawing Sheets



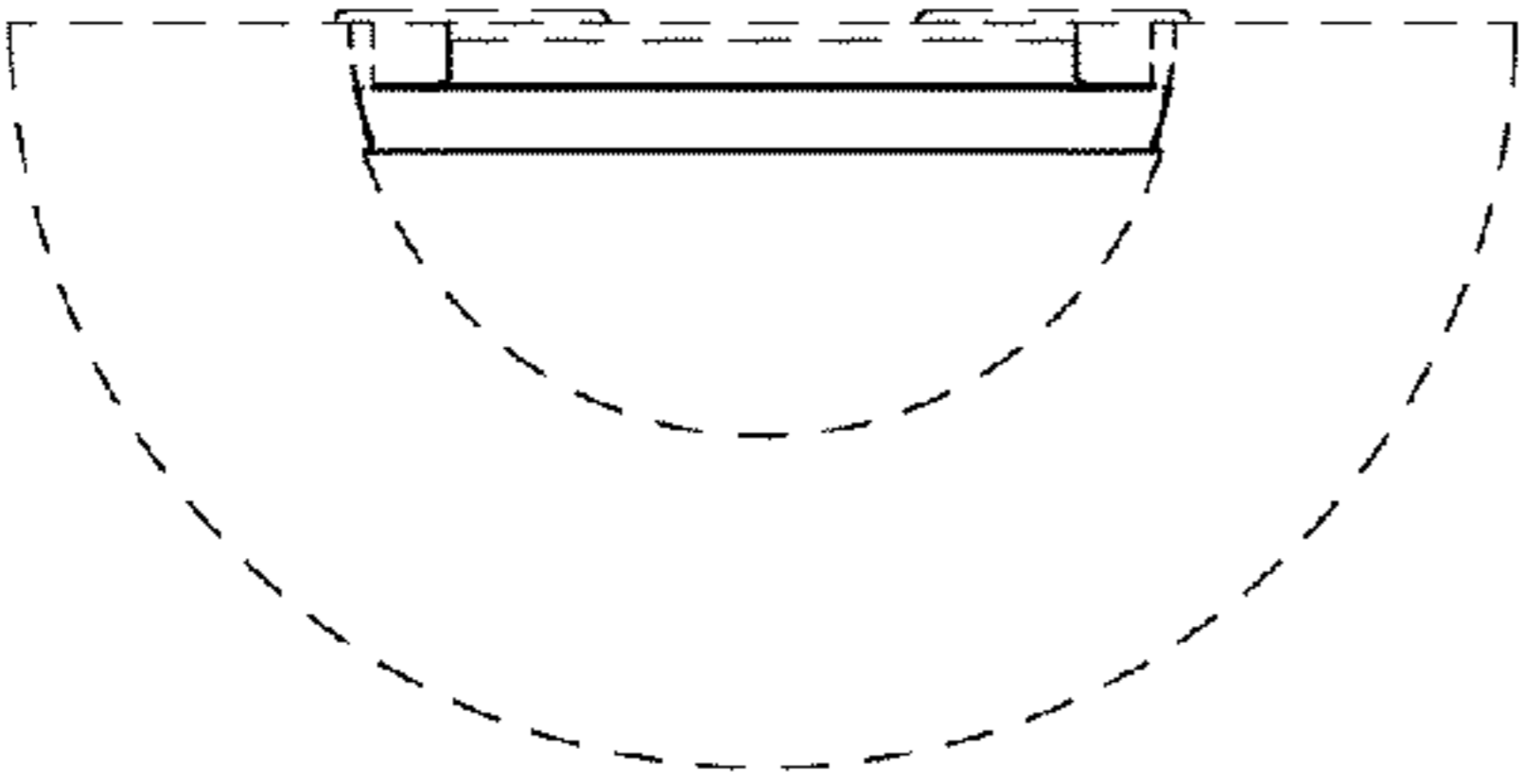


Fig. 1



Fig. 3

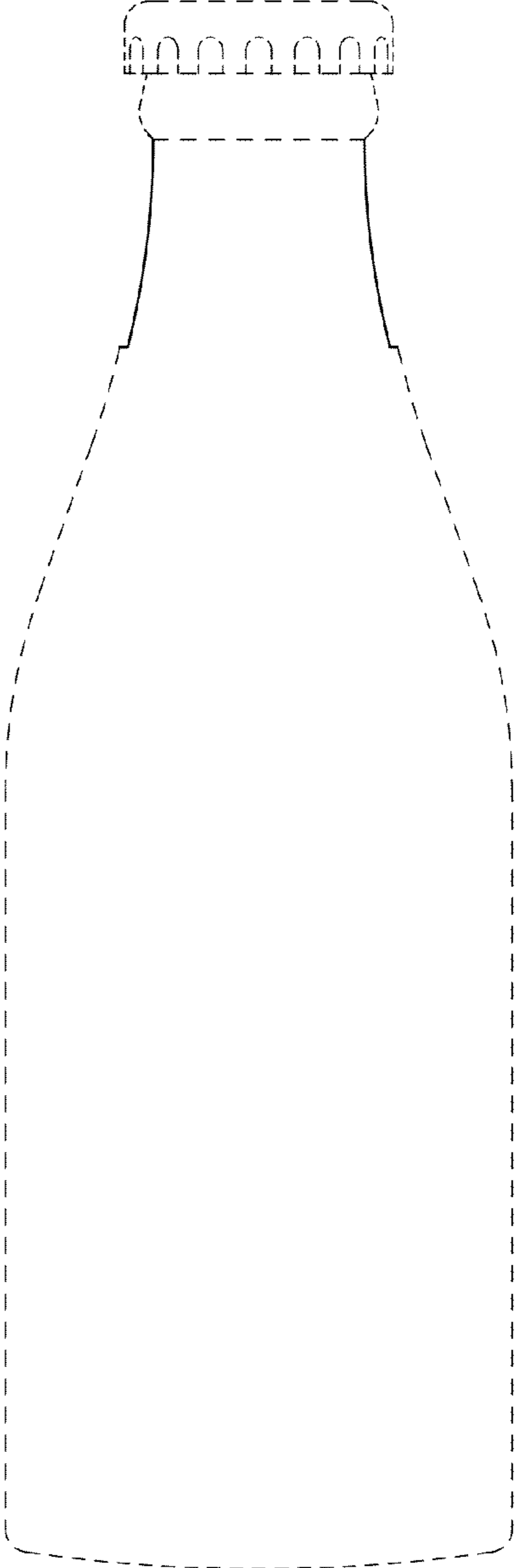


Fig. 2

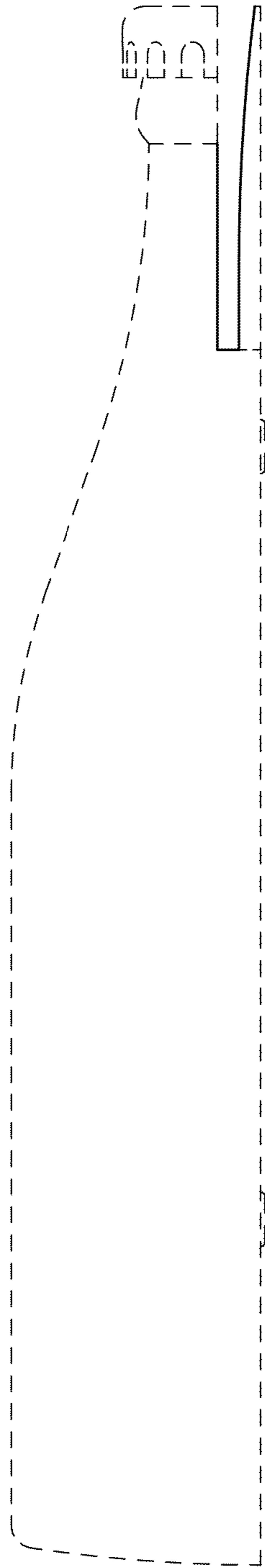


Fig. 4

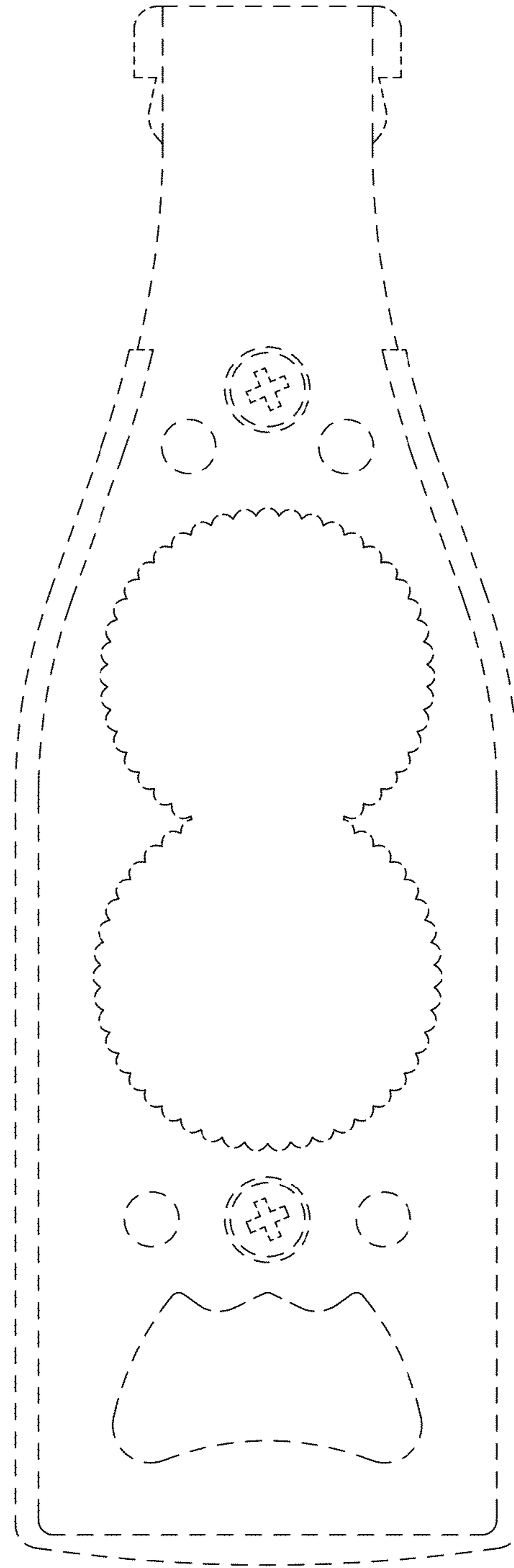


Fig. 5

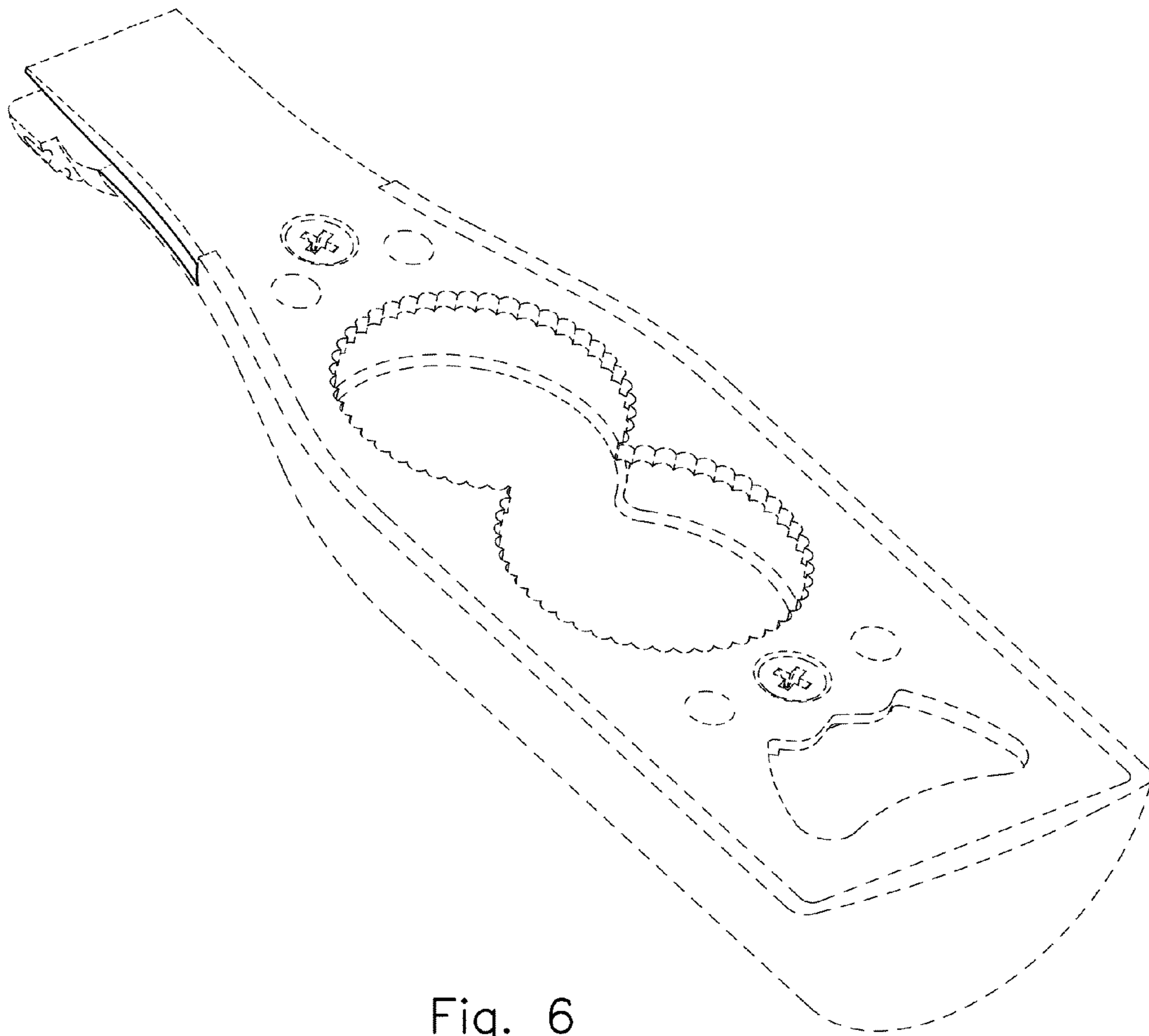


Fig. 6

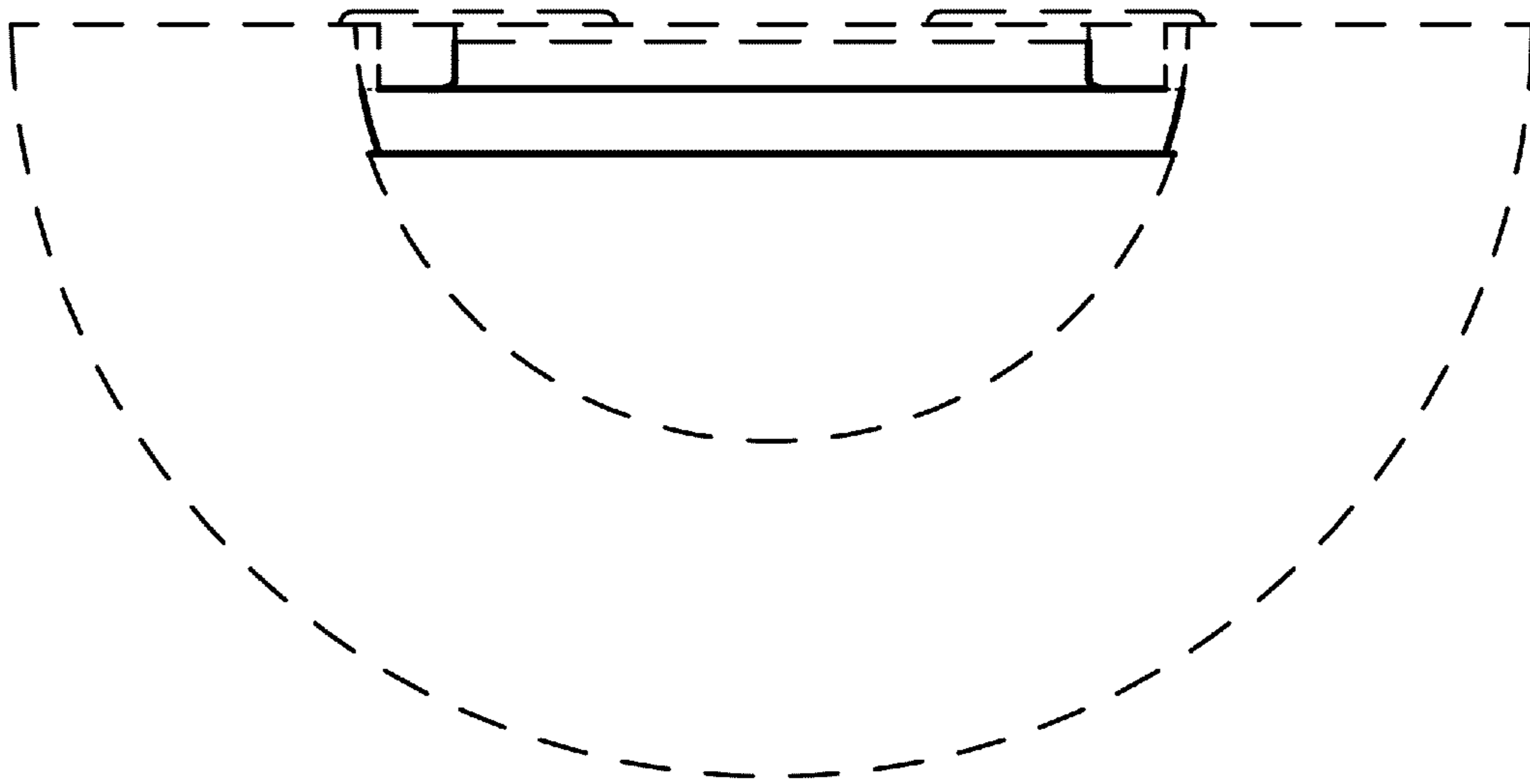


Fig. 7