



US00D682058S

(12) **United States Design Patent**  
**Puglisi et al.**

(10) **Patent No.:** **US D682,058 S**

(45) **Date of Patent:** **\*\* May 14, 2013**

(54) **COMBINED LIP BALM HOLDER AND BOTTLE OPENER**

(76) Inventors: **Marc Puglisi**, Wayne, NJ (US); **Scott Kennis**, Montvale, NJ (US)

(\*\*) Term: **14 Years**

(21) Appl. No.: **29/413,212**

(22) Filed: **Feb. 13, 2012**

(51) **LOC (9) Cl.** ..... **07-99**

(52) **U.S. Cl.**  
USPC ..... **D8/34; D28/77**

(58) **Field of Classification Search** ..... 206/385,  
206/823, 581; D28/76, 85-90, 77; 132/317,  
132/218; 401/68-79, 126-130, 202; 81/3.09-3.49  
See application file for complete search history.

(56) **References Cited**

U.S. PATENT DOCUMENTS

D351,049 S *	9/1994	Schlueter	.....	D28/77
D413,184 S *	8/1999	Cooper	.....	D28/64.3
D436,008 S *	1/2001	Klein et al.	.....	D8/34
D465,709 S *	11/2002	Robinson	.....	D8/34
D473,437 S *	4/2003	Klein et al.	.....	D8/34
D509,456 S *	9/2005	Ricci et al.	.....	D11/26
D523,711 S *	6/2006	Ryan et al.	.....	D8/34
D526,775 S *	8/2006	Anderton	.....	D3/215
D528,290 S *	9/2006	Anderton	.....	D3/215
D586,953 S *	2/2009	Riggio	.....	D27/172

D624,376 S *	9/2010	Wysopal	.....	D8/34
2007/0006685 A1 *	1/2007	Fok et al.	.....	81/3.55
2012/0285297 A1 *	11/2012	Rozmus et al.	.....	81/3.57

\* cited by examiner

*Primary Examiner* — Jennifer Rivard

(74) *Attorney, Agent, or Firm* — Myers Wolin, LLC; Scott H. Kaliko

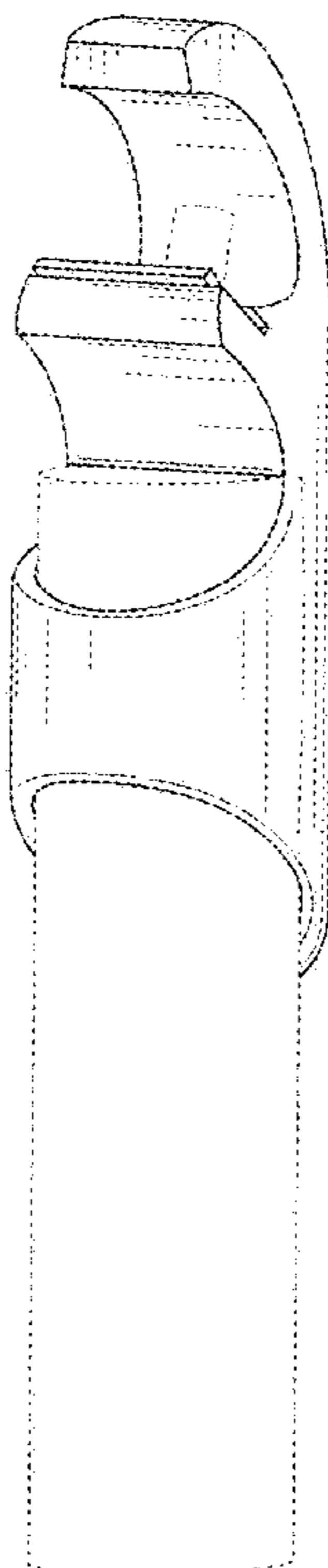
(57) **CLAIM**

An ornamental design for a combined lip balm holder and bottle opener, as shown and described.

**DESCRIPTION**

FIG. 1 is a PERSPECTIVE view of an embodiment of the present invention;  
 FIG. 2 is a FRONT view of an embodiment of the present invention;  
 FIG. 3 is a BACK view of an embodiment of the present invention;  
 FIG. 4 is a SIDE view of an embodiment of the present invention;  
 FIG. 5 is a SIDE view of an embodiment of the present invention;  
 FIG. 6 is a TOP view of an embodiment of the present invention;  
 FIG. 7 is a BOTTOM view of an embodiment of the present invention; and,  
 FIG. 8 is a PERSPECTIVE view of an embodiment of the present invention.  
 The broken lines shown in the drawings illustrate the environment of the article and form no part of the claimed design.

**1 Claim, 4 Drawing Sheets**



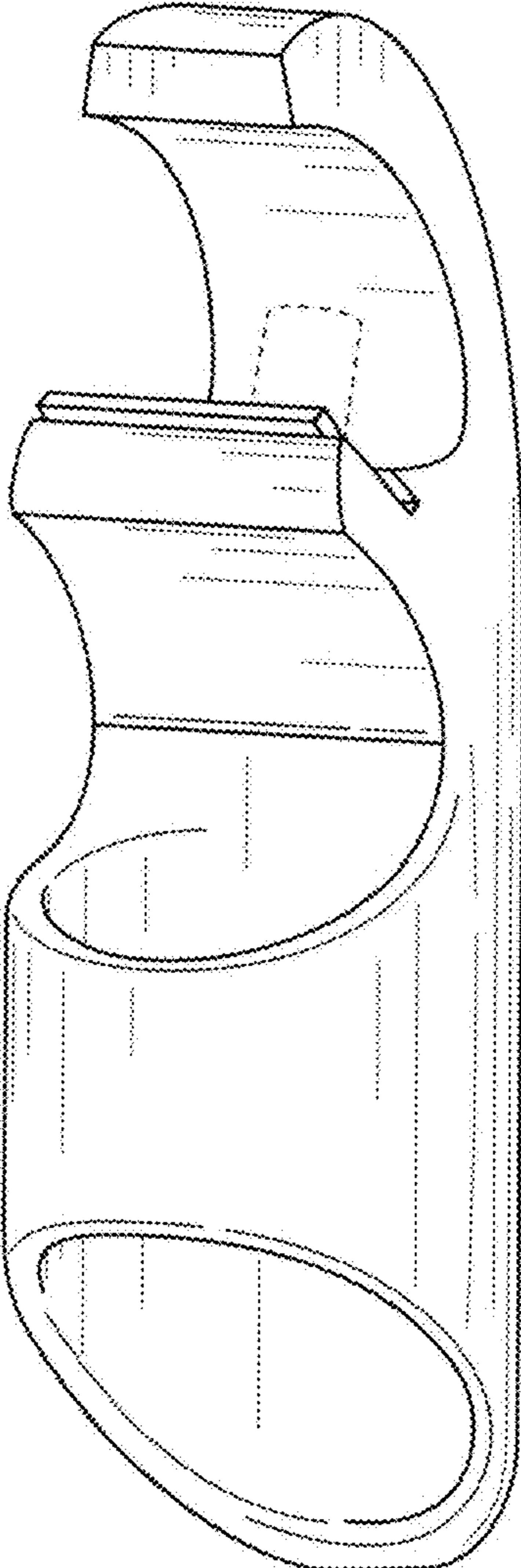


FIG. 1

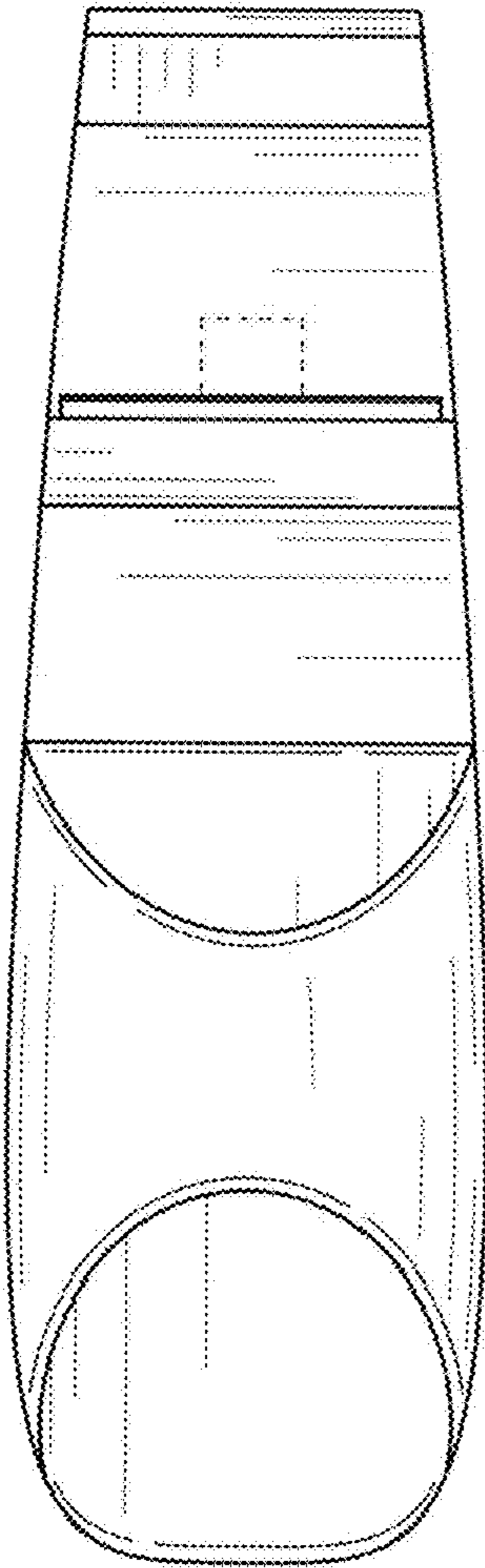


FIG. 2

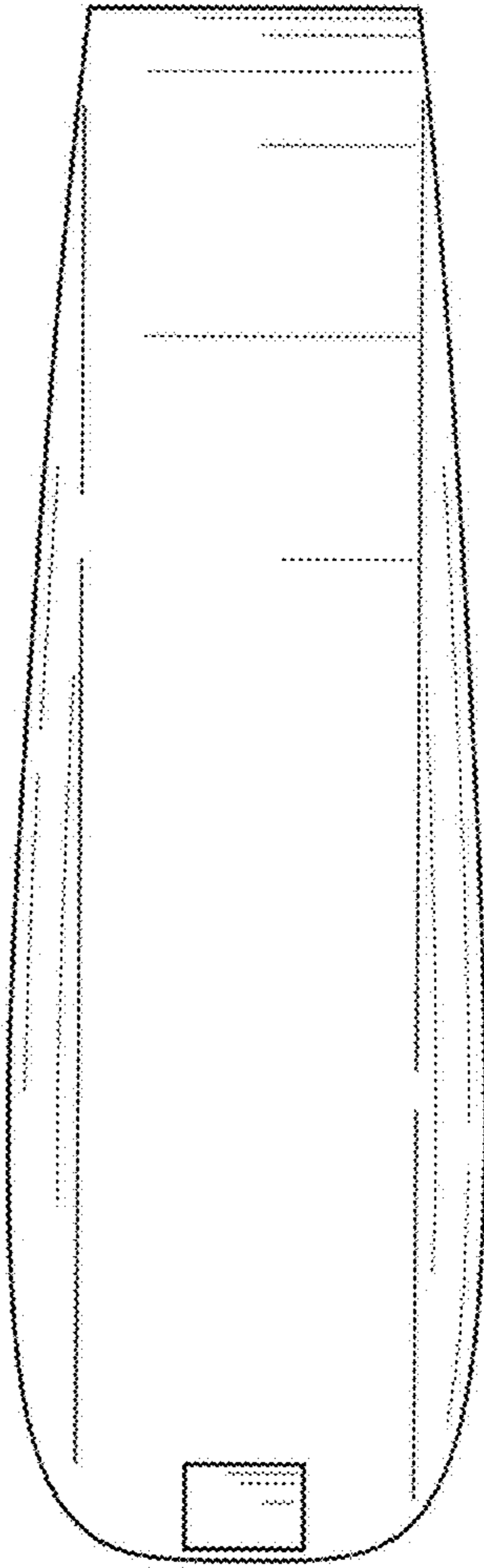


FIG. 3

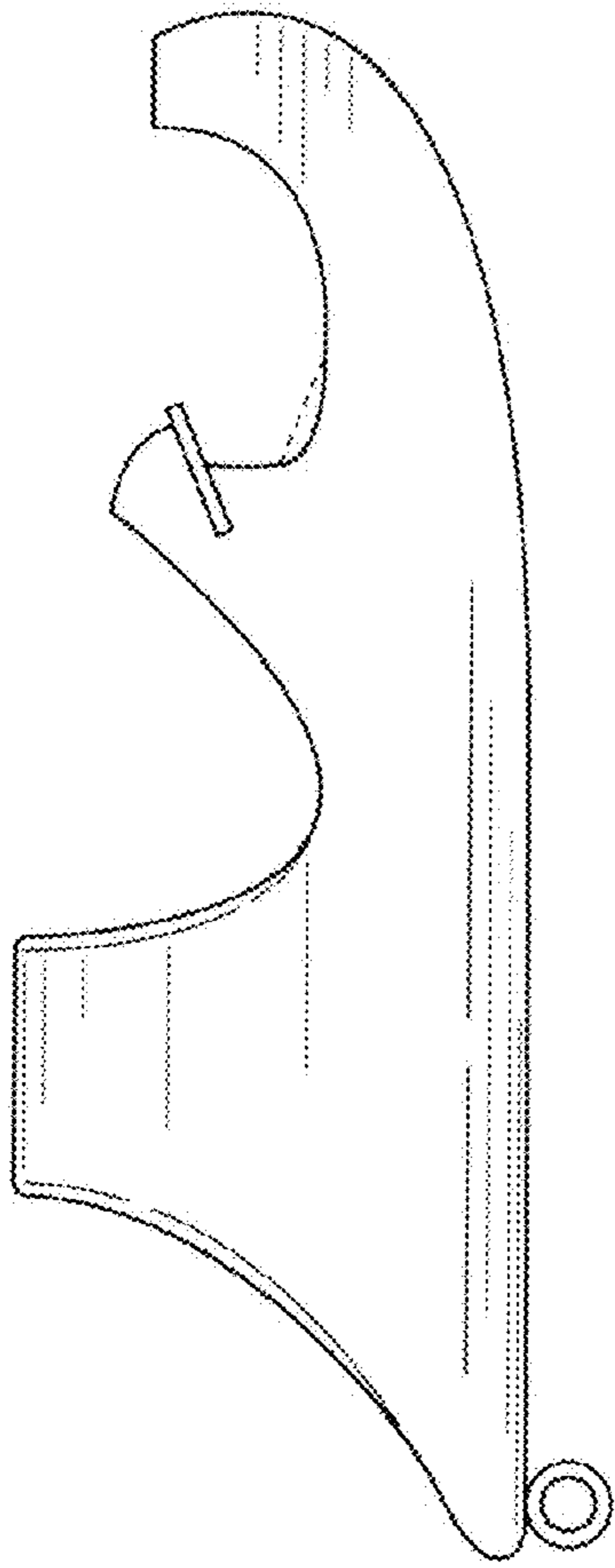


FIG. 4

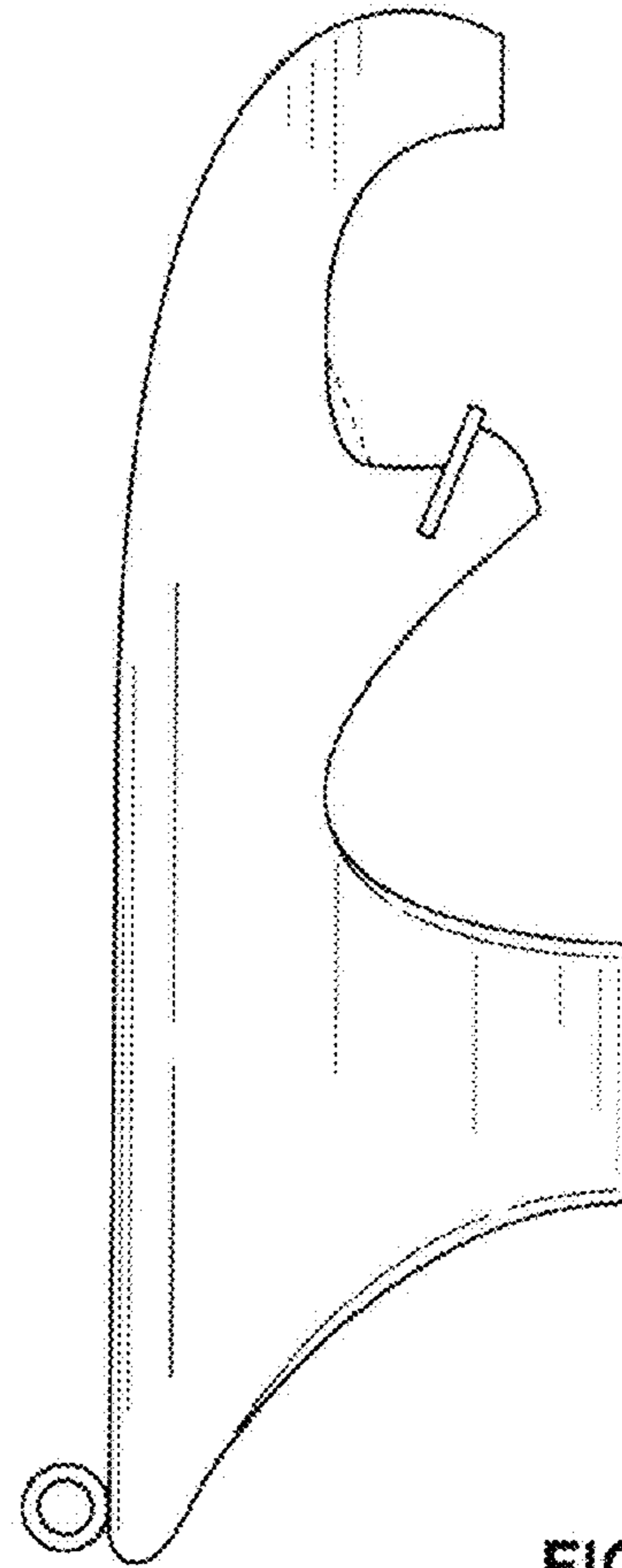


FIG. 5

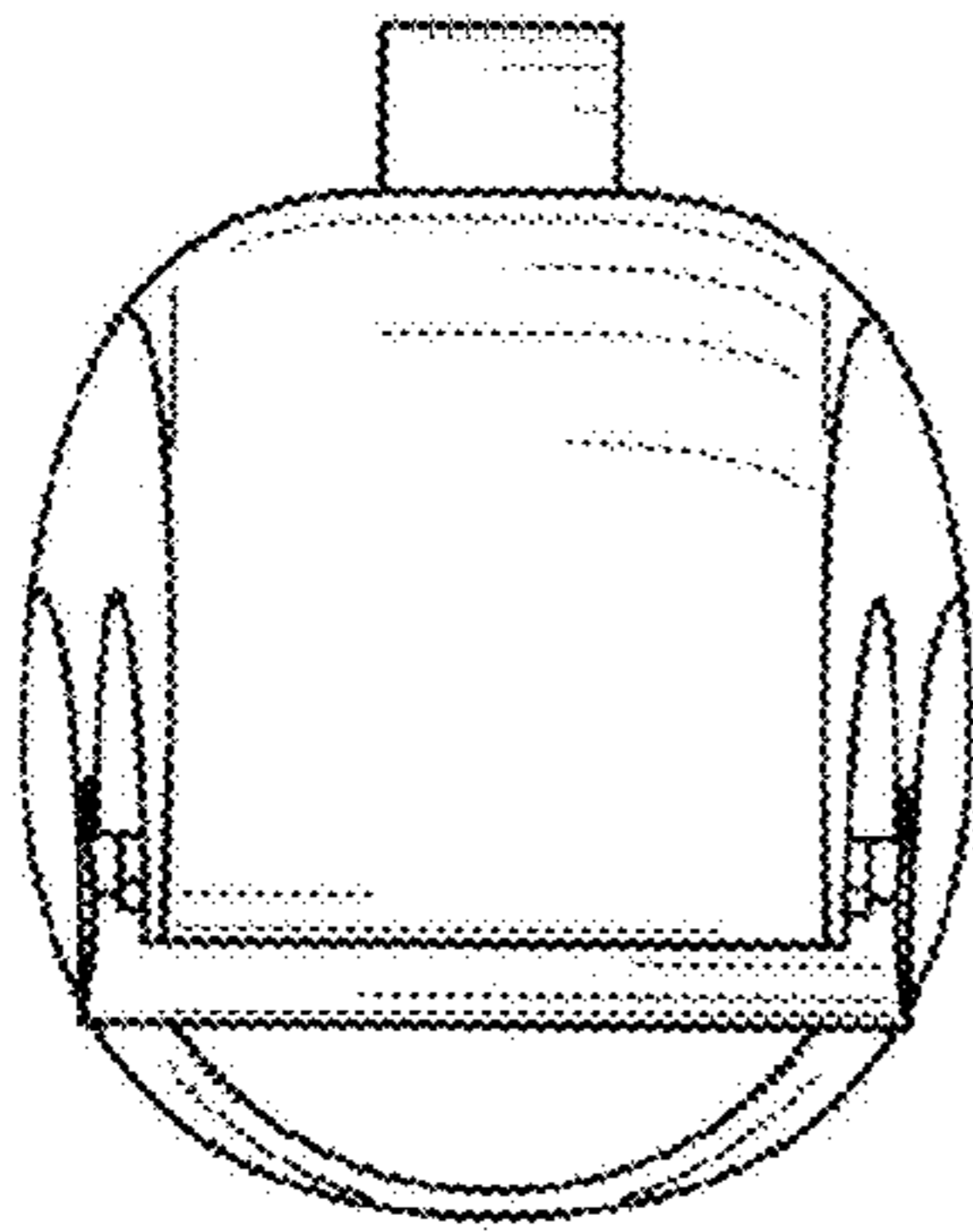


FIG. 6

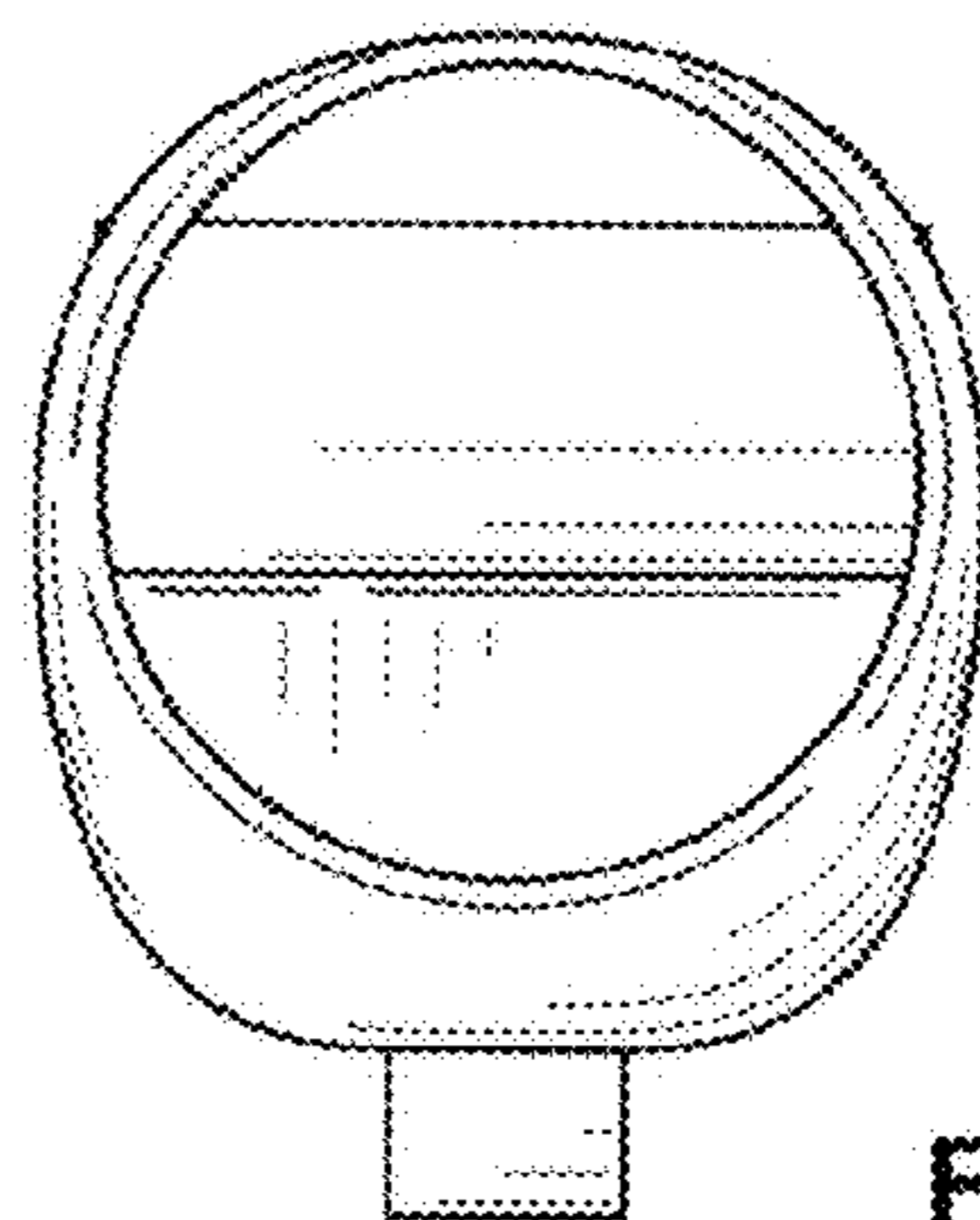


FIG. 7

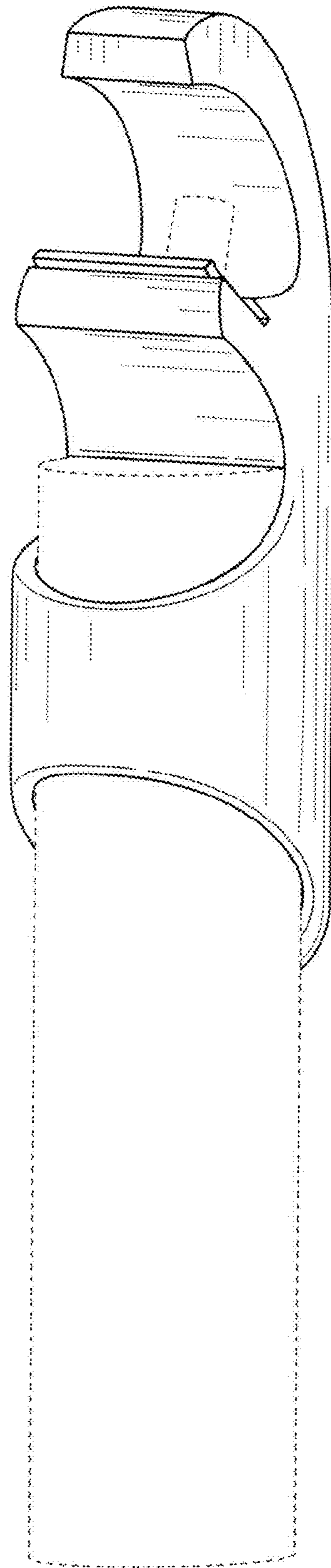


FIG. 8