



US00D682057S

(12) **United States Design Patent**  
**Romo**

(10) **Patent No.:** **US D682,057 S**

(45) **Date of Patent:** **\*\* May 14, 2013**

(54) **SNOW TIRE STUD REMOVING TOOL**

(76) Inventor: **Kristopher E. Romo**, Reardan, WA  
(US)

(\*\*) Term: **14 Years**

(21) Appl. No.: **29/415,962**

(22) Filed: **Mar. 16, 2012**

(51) **LOC (9) Cl.** ..... **08-05**

(52) **U.S. Cl.**  
USPC ..... **D8/31**

(58) **Field of Classification Search** ..... D8/14,  
D8/26, 31, 88-89, 107; 7/100, 165, 167;  
29/278, 428, 450; 81/15.2, 15.7, 489; 254/22,  
254/27

See application file for complete search history.

(56) **References Cited**

U.S. PATENT DOCUMENTS

D46,782	S	*	12/1914	Trabold	.....	D8/26
1,633,330	A	*	6/1927	Hughes	.....	81/15.7
1,843,866	A		2/1932	Chapman		
D155,489	S	*	10/1949	De Mesquita	.....	D32/35
3,111,048	A	*	11/1963	Gruber	.....	81/15.2
D206,046	S		10/1966	Seidlein		
3,400,443	A	*	9/1968	Miller, II	.....	29/428
3,458,895	A	*	8/1969	Miller	.....	29/278
D230,128	S		1/1974	Fistler et al.		
3,783,715	A	*	1/1974	Niconchuk	.....	81/15.7
4,097,021	A	*	6/1978	Loboda	.....	254/22
4,255,842	A		3/1981	McCaulou		
D261,098	S	*	10/1981	Hendon et al.	.....	D8/70
D269,497	S		6/1983	Rogowsky		

D282,713	S	*	2/1986	Flory et al.	.....	D8/31
D285,769	S	*	9/1986	Flory et al.	.....	D8/31
4,763,546	A	*	8/1988	Yeh et al.	.....	81/15.7
4,930,377	A	*	6/1990	Lester	.....	81/15.2
5,237,722	A	*	8/1993	Ott	.....	16/428
D492,169	S	*	6/2004	Lamon	.....	D8/14
D493,077	S	*	7/2004	Lamon	.....	D8/14

\* cited by examiner

*Primary Examiner* — Philip S Hyder

*Assistant Examiner* — Roselynn Cody

(74) *Attorney, Agent, or Firm* — Montgomery Patent & Design; Robert C. Montgomery

(57) **CLAIM**

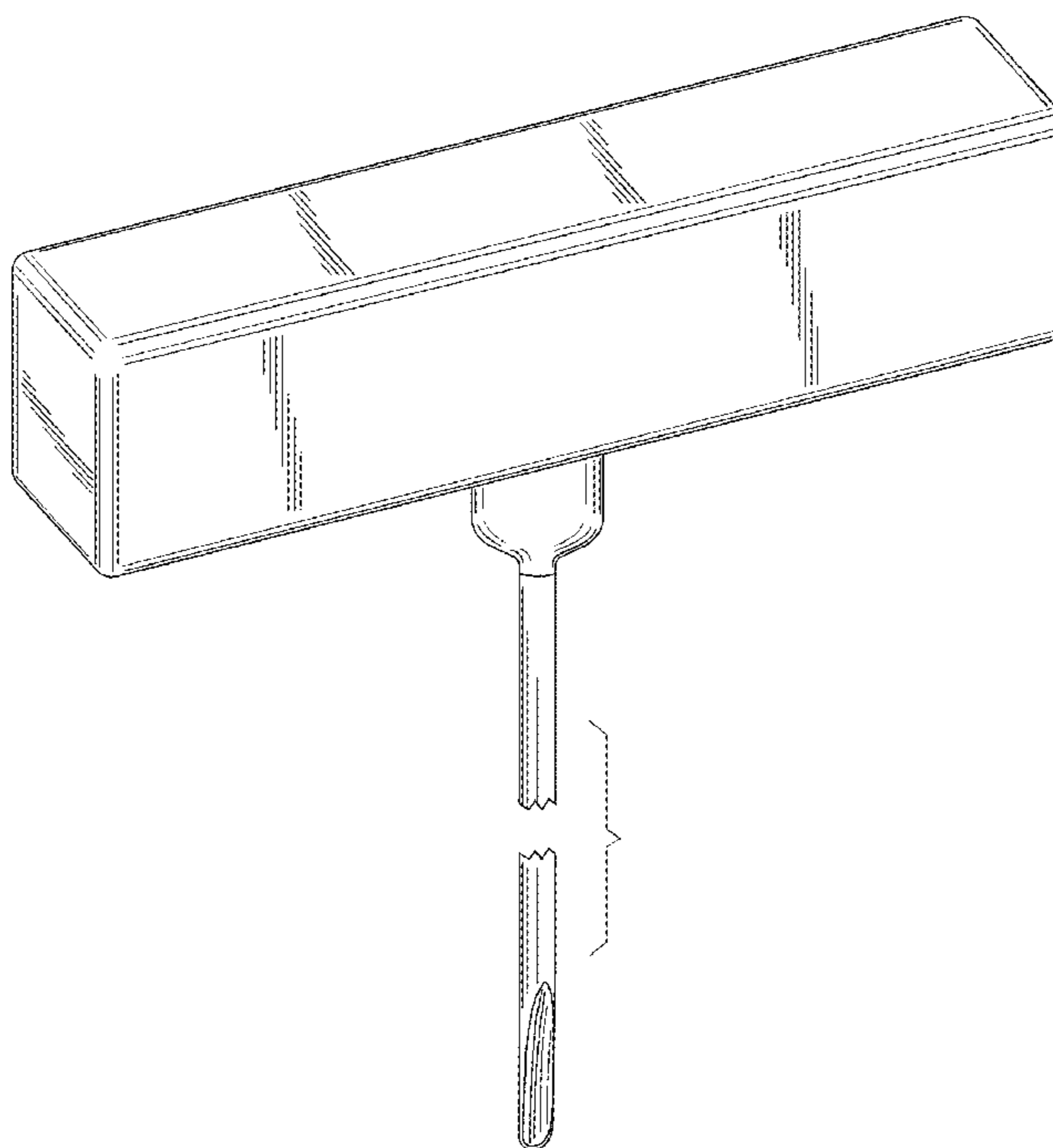
The ornamental design for a snow tire stud removing tool, as shown and described.

**DESCRIPTION**

FIG. 1 is a perspective front view of a snow tire stud removing tool, showing my new design; FIG. 2 is a perspective rear view thereof; FIG. 3 is a perspective front view thereof; FIG. 4 is a perspective rear view thereof; FIG. 5 is a front view thereof; FIG. 6 is a rear view thereof; and, FIG. 7 is a left side view thereof with a right side view being a mirror image.

A shaft of the snow tire stud removing tool is shown broken away in FIGS. 1 through 7 of the drawings to indicate indeterminate length, it being understood that the shaft has a uniform shape and appearance through out its length.

**1 Claim, 7 Drawing Sheets**



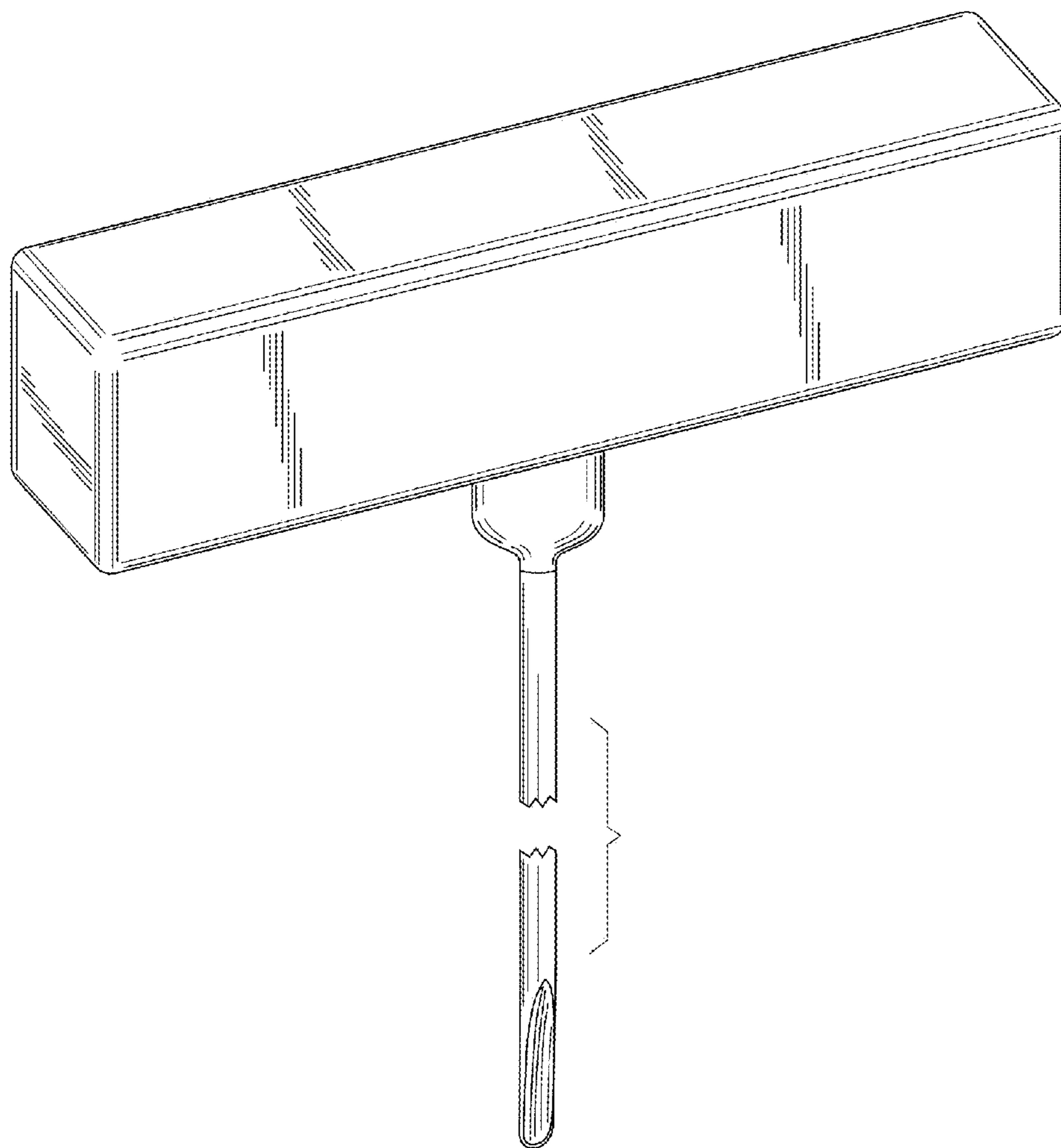


Fig. 1

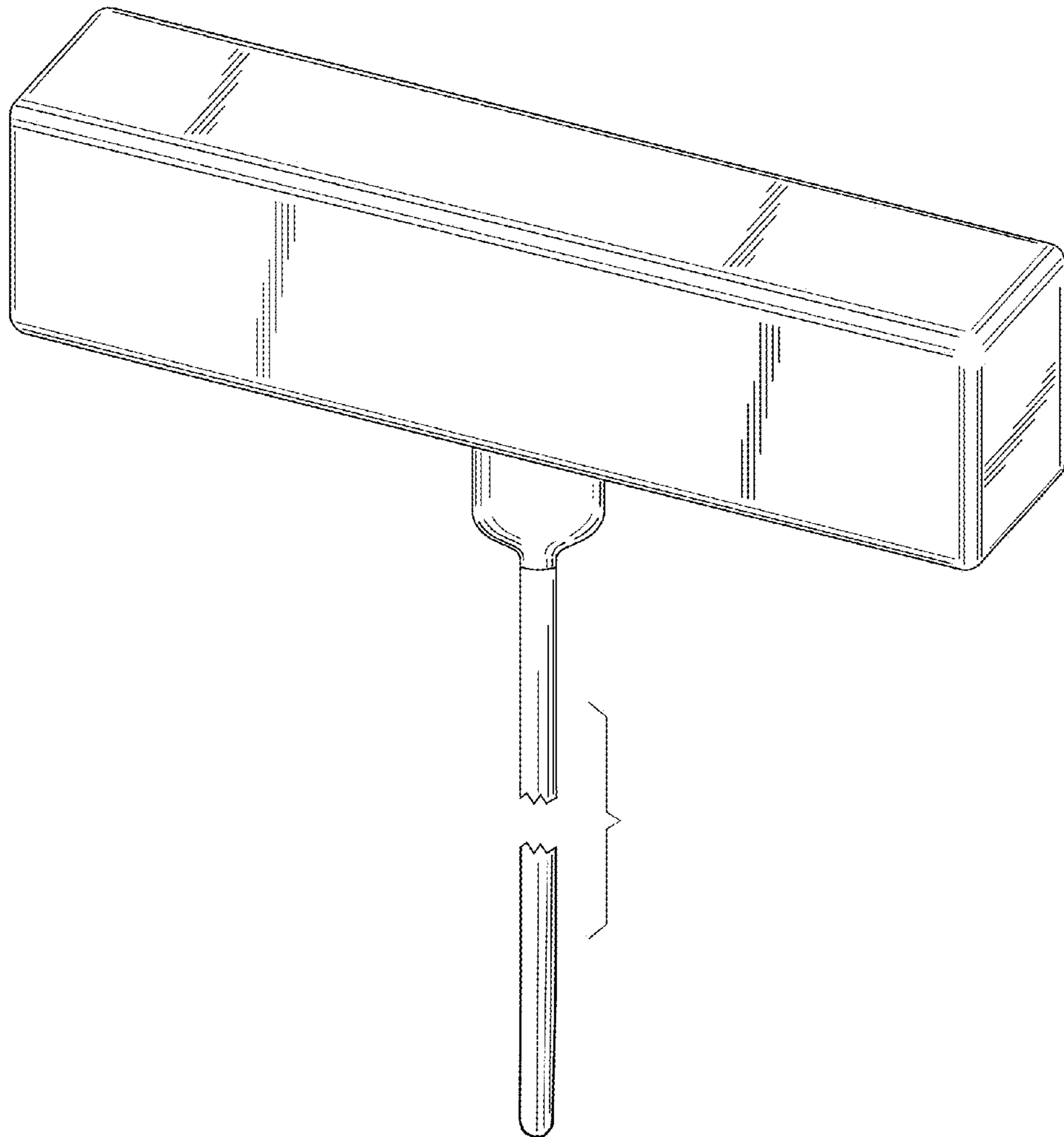


Fig. 2

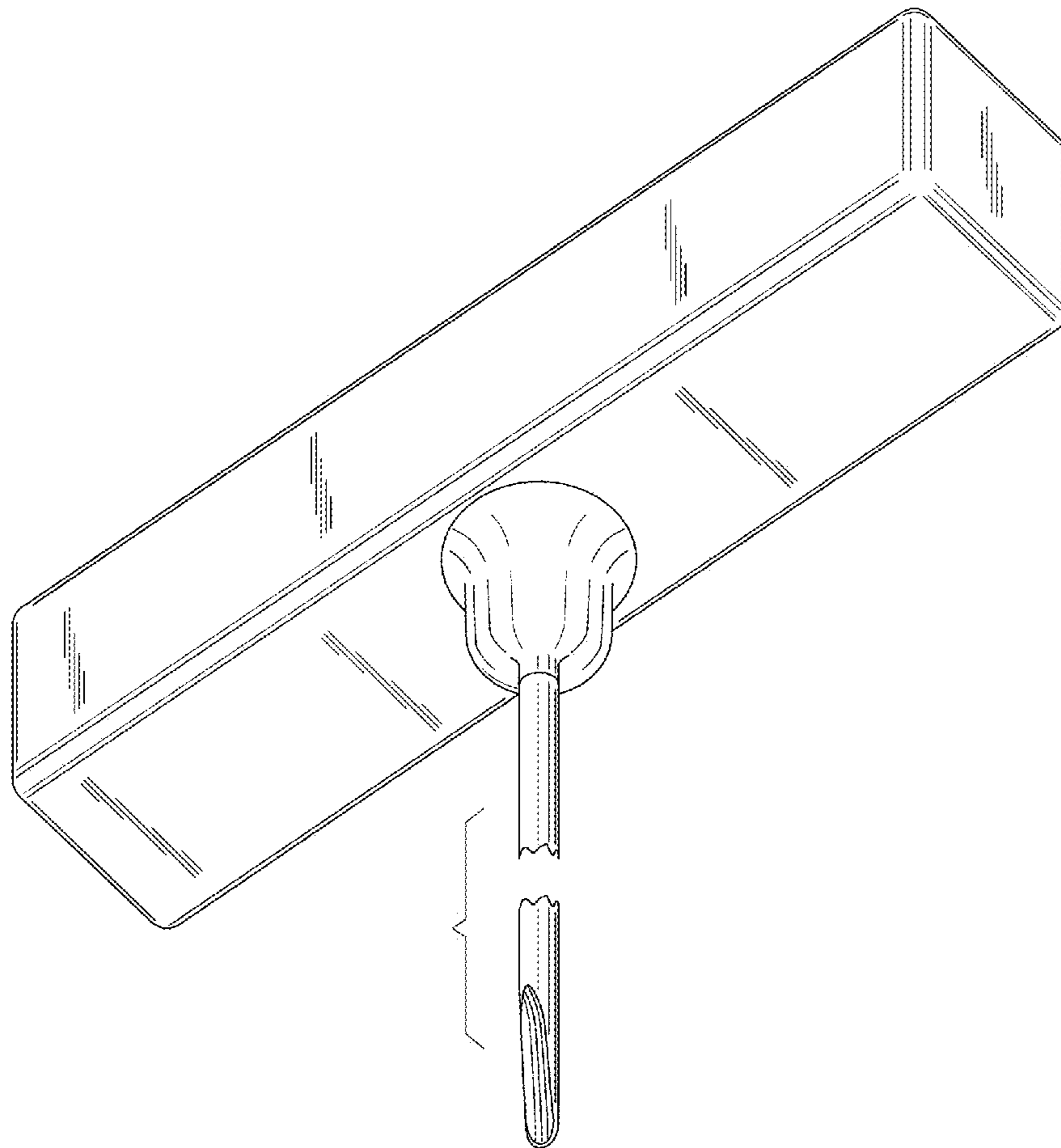


Fig. 3

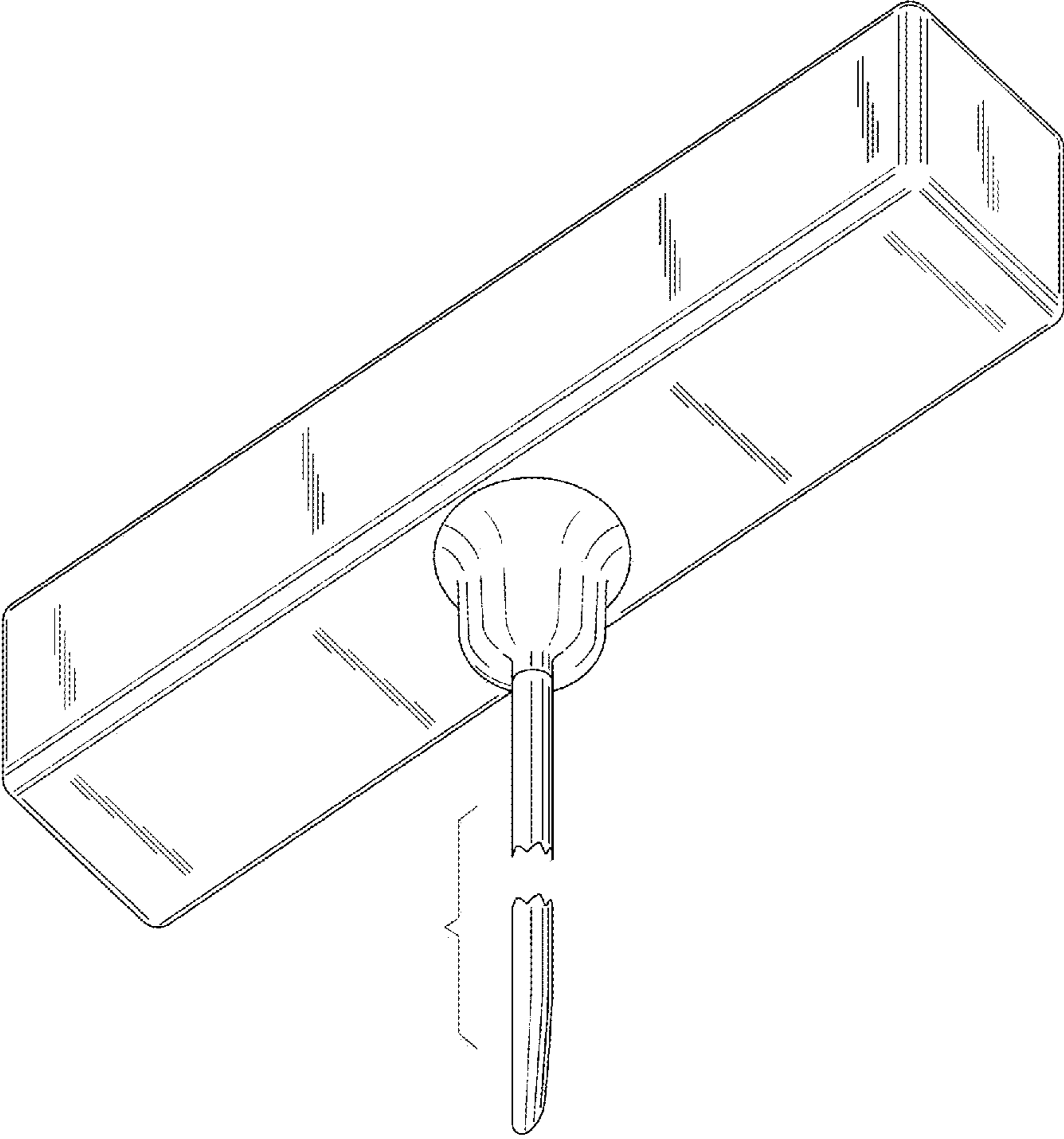


Fig. 4

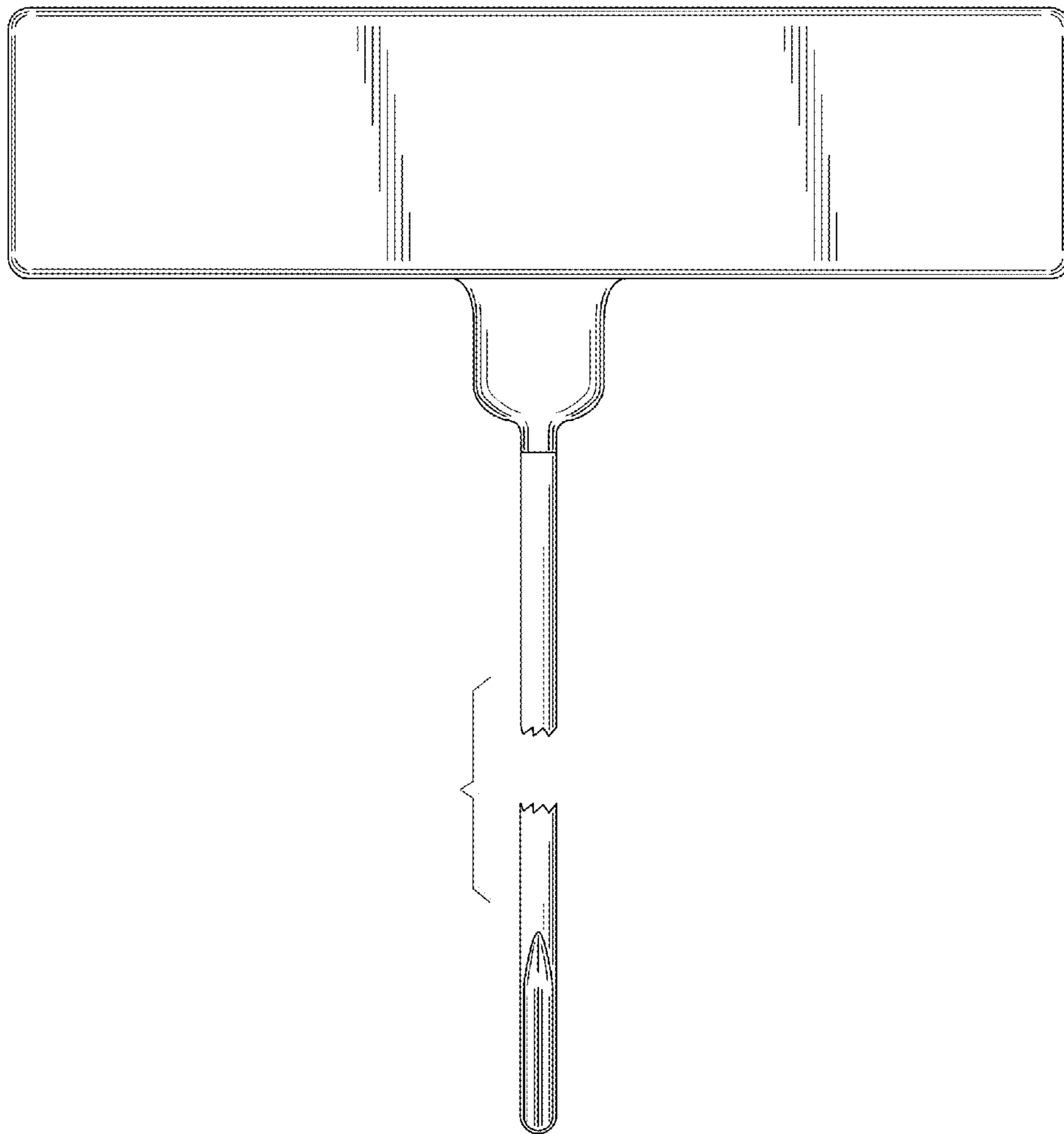


Fig. 5

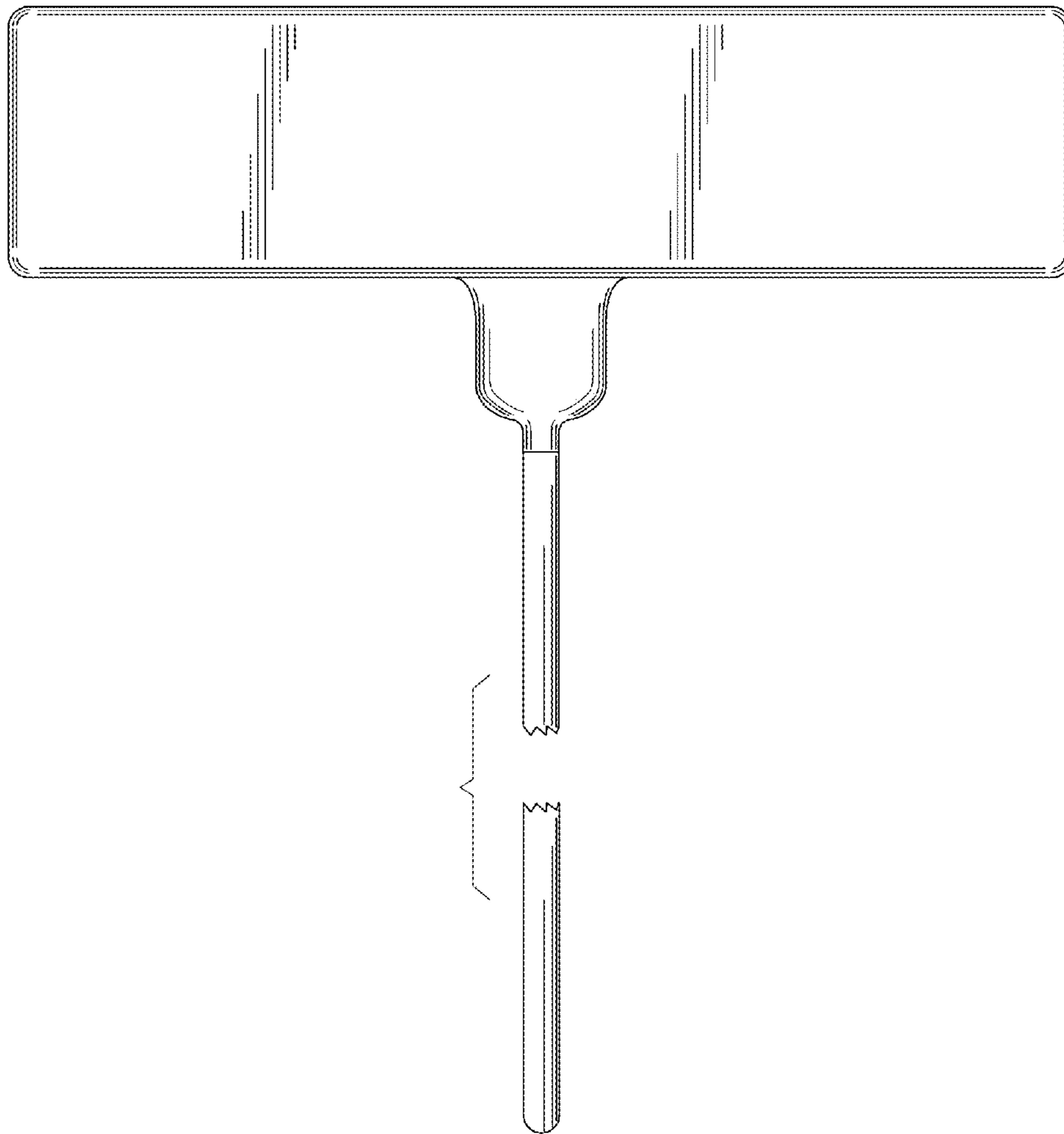


Fig. 6

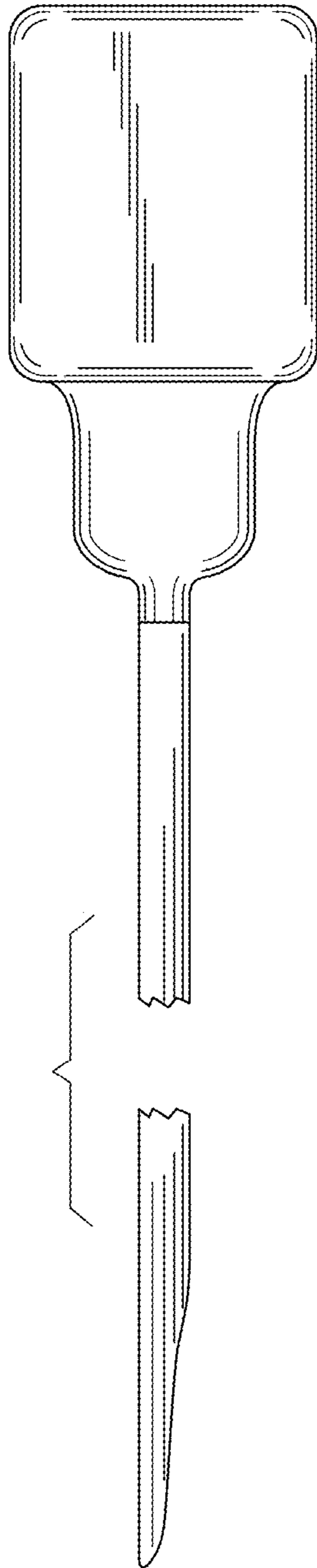


Fig. 7