



US00D682051S

(12) **United States Design Patent**
Lesbirel

(10) **Patent No.:** **US D682,051 S**

(45) **Date of Patent:** **** May 14, 2013**

(54) **BOTTLE RACK**

(75) Inventor: **Mitchell Lesbirel**, Oakfield (CA)

(73) Assignee: **Mitchell Lesbirel**, Oakfield (CA)

(**) Term: **14 Years**

(21) Appl. No.: **29/414,763**

(22) Filed: **Mar. 2, 2012**

(51) **LOC (9) Cl.** **06-04**

(52) **U.S. Cl.**
USPC **D7/707**

(58) **Field of Classification Search** D7/701–708;
D9/737, 738, 741, 744, 745, 751, 755; D3/310,
D3/313, 314; 206/427–435, 588–590, 557–567;
211/74, 71.01

See application file for complete search history.

(56) **References Cited**

U.S. PATENT DOCUMENTS

4,285,449	A *	8/1981	Campos	206/427
D307,997	S *	5/1990	Bernstein	D7/707
D360,214	S *	7/1995	Loudon	D7/701
6,779,670	B2 *	8/2004	Primiano et al.	211/74
D608,609	S *	1/2010	Eaton	D7/701

OTHER PUBLICATIONS

- 90 Bottle drying tree: Midwest Supplies, <http://www.midwestsupplies.com/90-bottle-drying-tree.html>.
Home-Brew Club—Part 5—Bottling/Craft Beer Academy, <http://craftbeeracademy.com/home-brew-club-bottling/>.
Beer Bottle Drying Rack Quickly by greggg on Sep. 22, 2012, <http://www.instructables.com/id/Beer-Bottle-Drying-Rack-Quickly/>.
Photo: drying rack, <http://jefflovesjulie.com/gallery3/index.php/Making-Beer-Bottling-Day/HPIM1705>.
Homemade bottle drying rack—Home Brew Forums—Mar. 10, 2009, <http://www.homebrewtalk.com/f51/homemade-bottle-drying-rack-107984/>.

Bottle sanitizing and drying alternatives?—p. 3—Home Brew Forums—May 17, 2011, <http://www.homebrewtalk.com/f39/bottle-sanitizing-drying-alternatives-245817/index3.html>.

Bottle drying rack—Home Brew Forums—Oct. 31, 2011, <http://www.homebrewtalk.com/f51/bottle-drying-rack-277461/>.

How Clean Are New Bottles?—p. 2, Wine Making Talk—Aug. 4, 2010, <http://www.winemakingtalk.com/forum/f3/how-clean-new-bottles-8574/index2.html>.

Homebrew Finds: Hands on with the More Beer Bottle Cleaning/Purging System—Jul. 20, 2012, <http://www.homebrewfinds.com/2012/07/hands-on-with-more-beer-bottle.html>.

Bottle Rack for CE970, MoreBeer, Aug. 4, 2010, http://morebeer.com/view_product/7272/102377/Bottle_Rack_For_CE970.

* cited by examiner

Primary Examiner — Terry Wallace

(74) *Attorney, Agent, or Firm* — Gowling Lafleur Henderson LLP

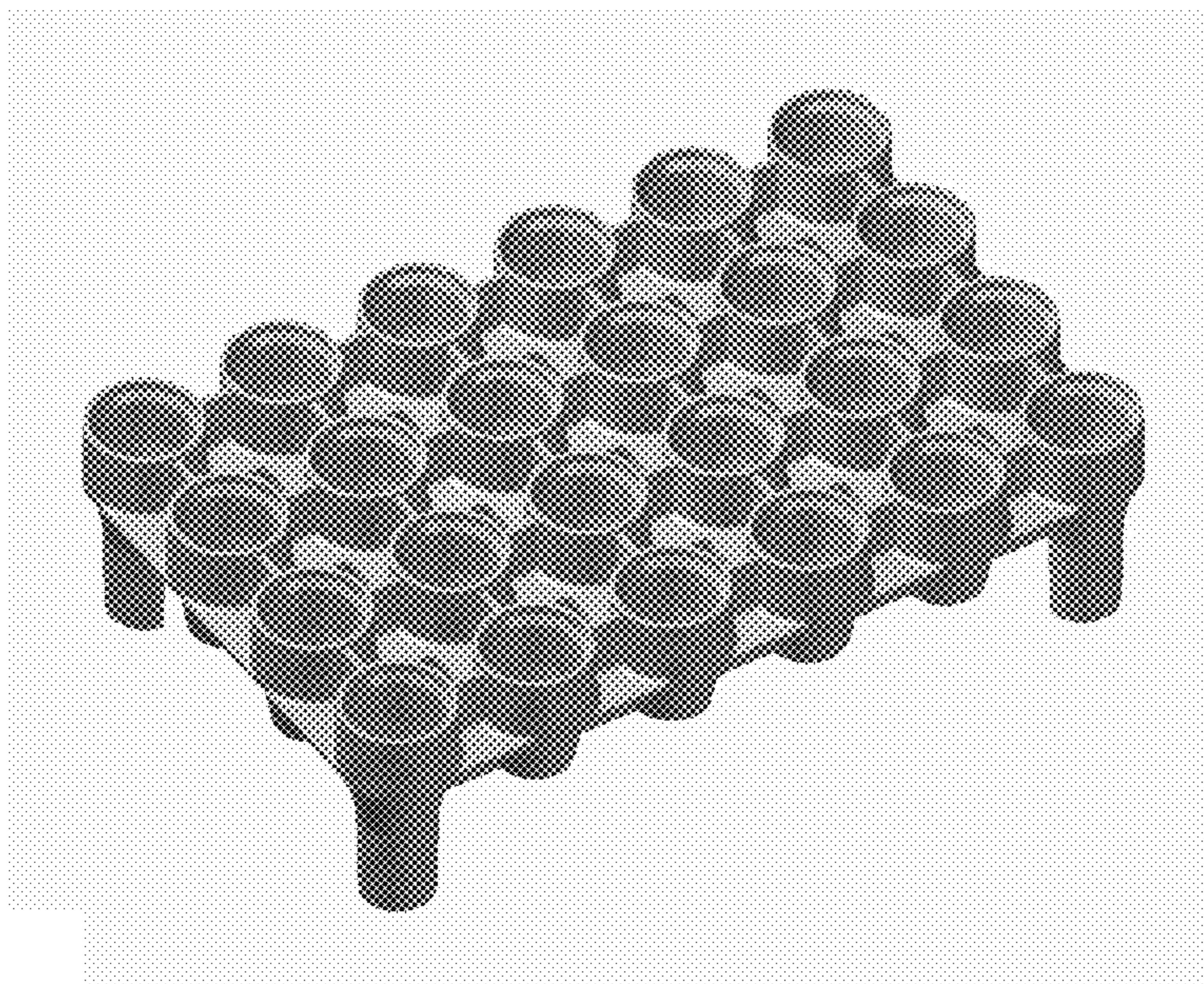
(57) **CLAIM**

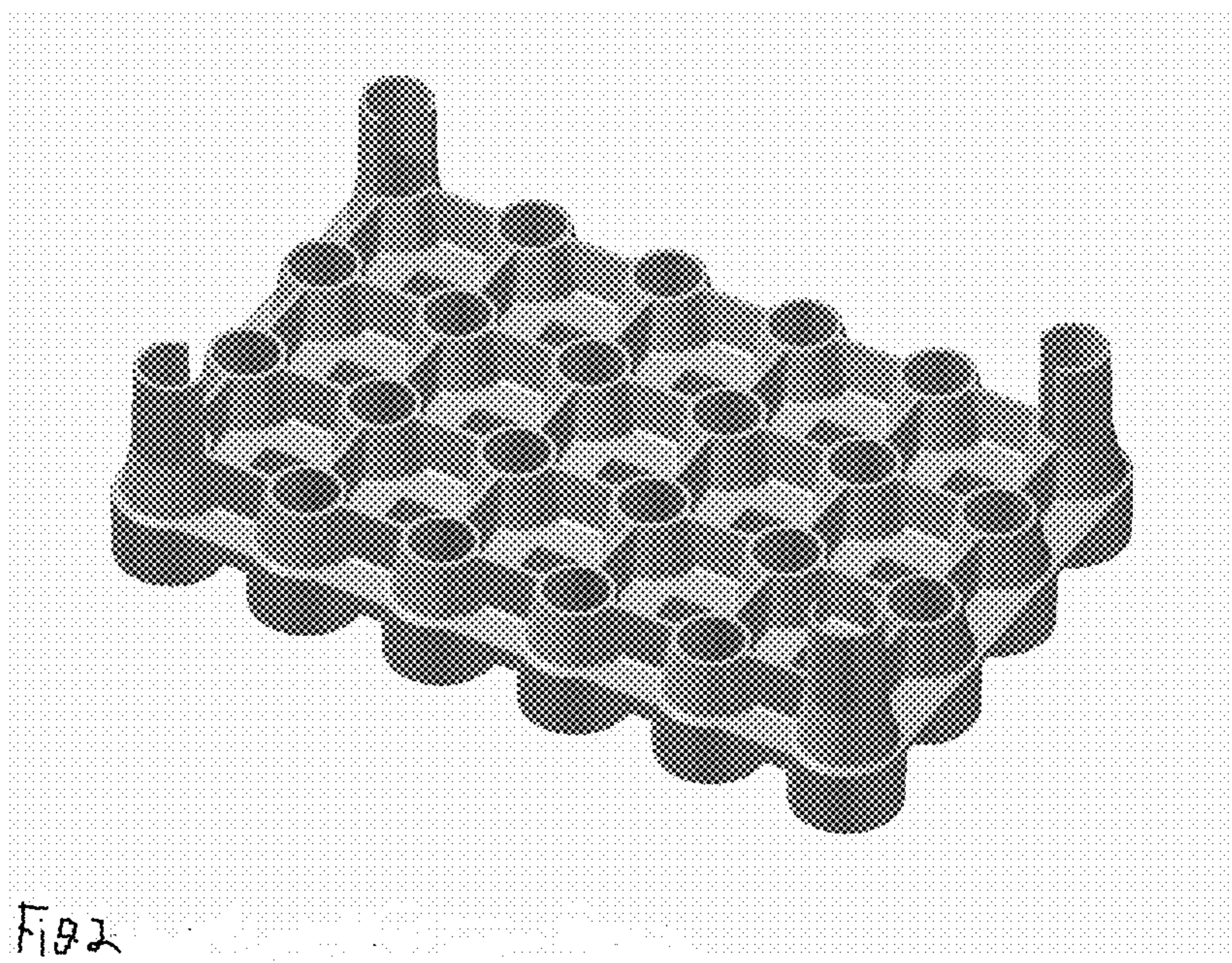
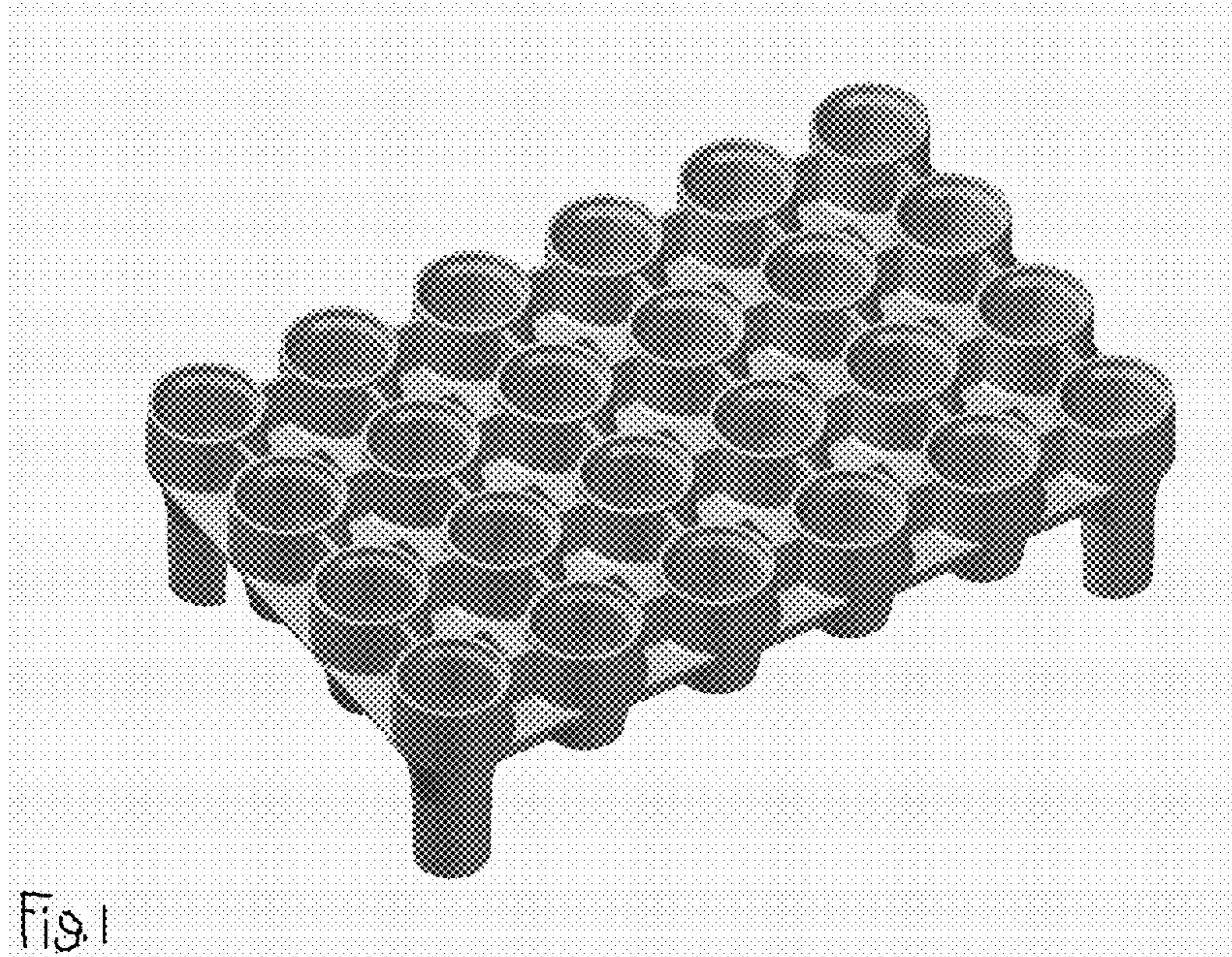
The ornamental design for a bottle rack, as shown and described.

DESCRIPTION

- FIG. 1 is a top perspective view of a bottle rack showing my new design;
FIG. 2 is a bottom perspective view thereof;
FIG. 3 is a top view thereof;
FIG. 4 is a left side view thereof, the right side being a mirror image;
FIG. 5 is a front view thereof, the rear view being a mirror image;
FIG. 6 is a perspective cross-section view thereof.
FIG. 7 is a perspective cross-section view thereof; and,
FIG. 8 is a left side cross-section-view, the right side cross-section being a mirror image.

1 Claim, 4 Drawing Sheets





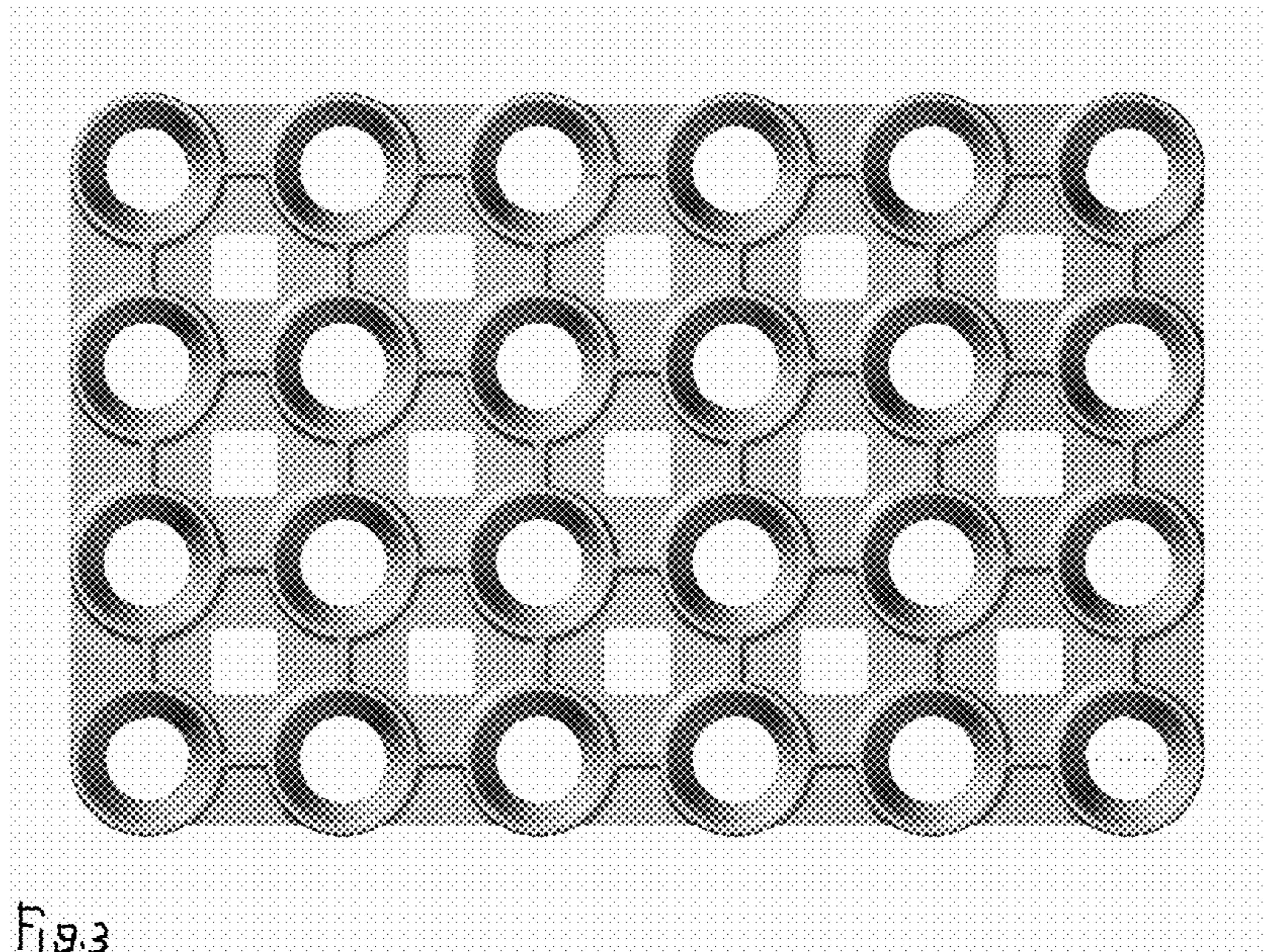


Fig. 3

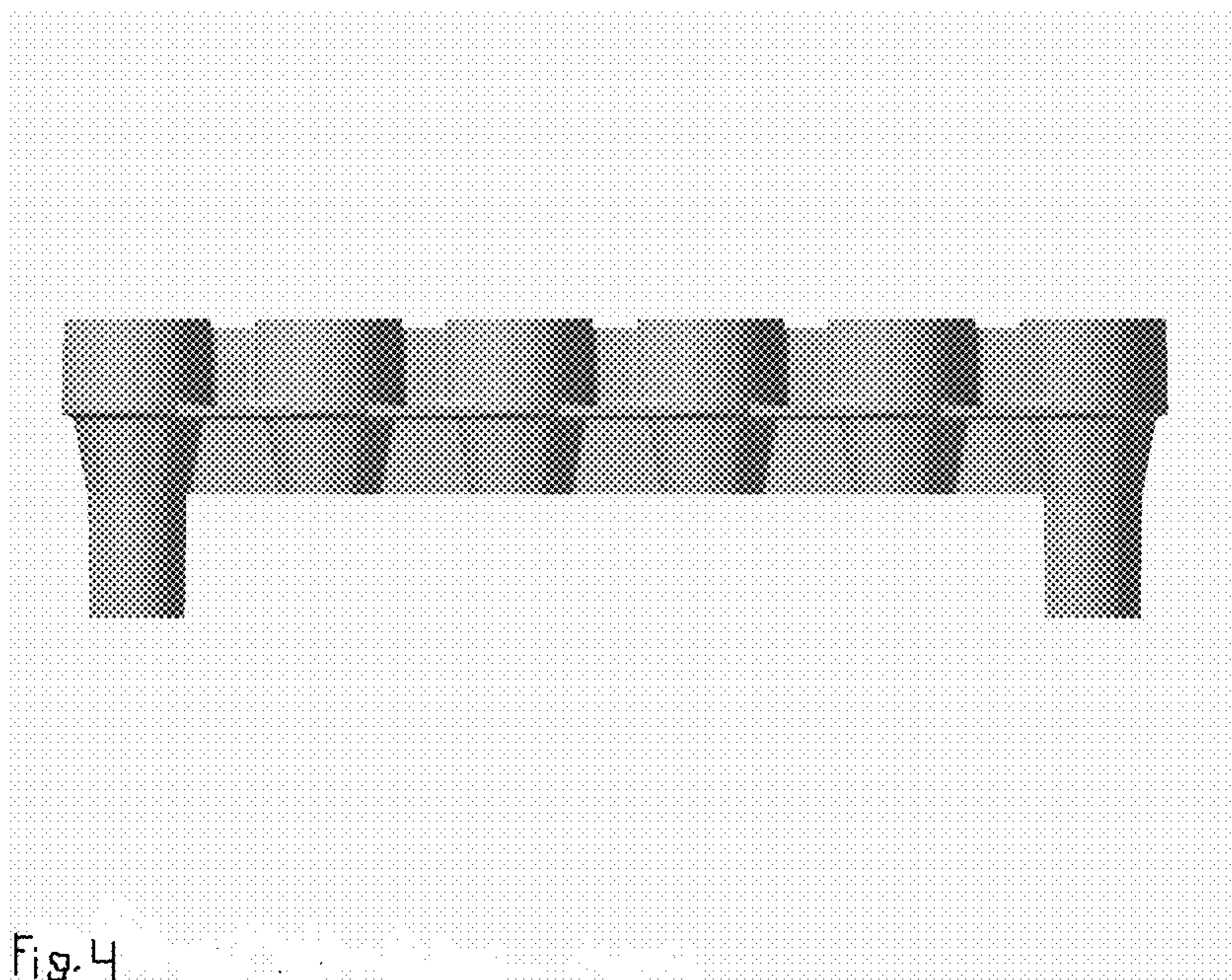


Fig. 4

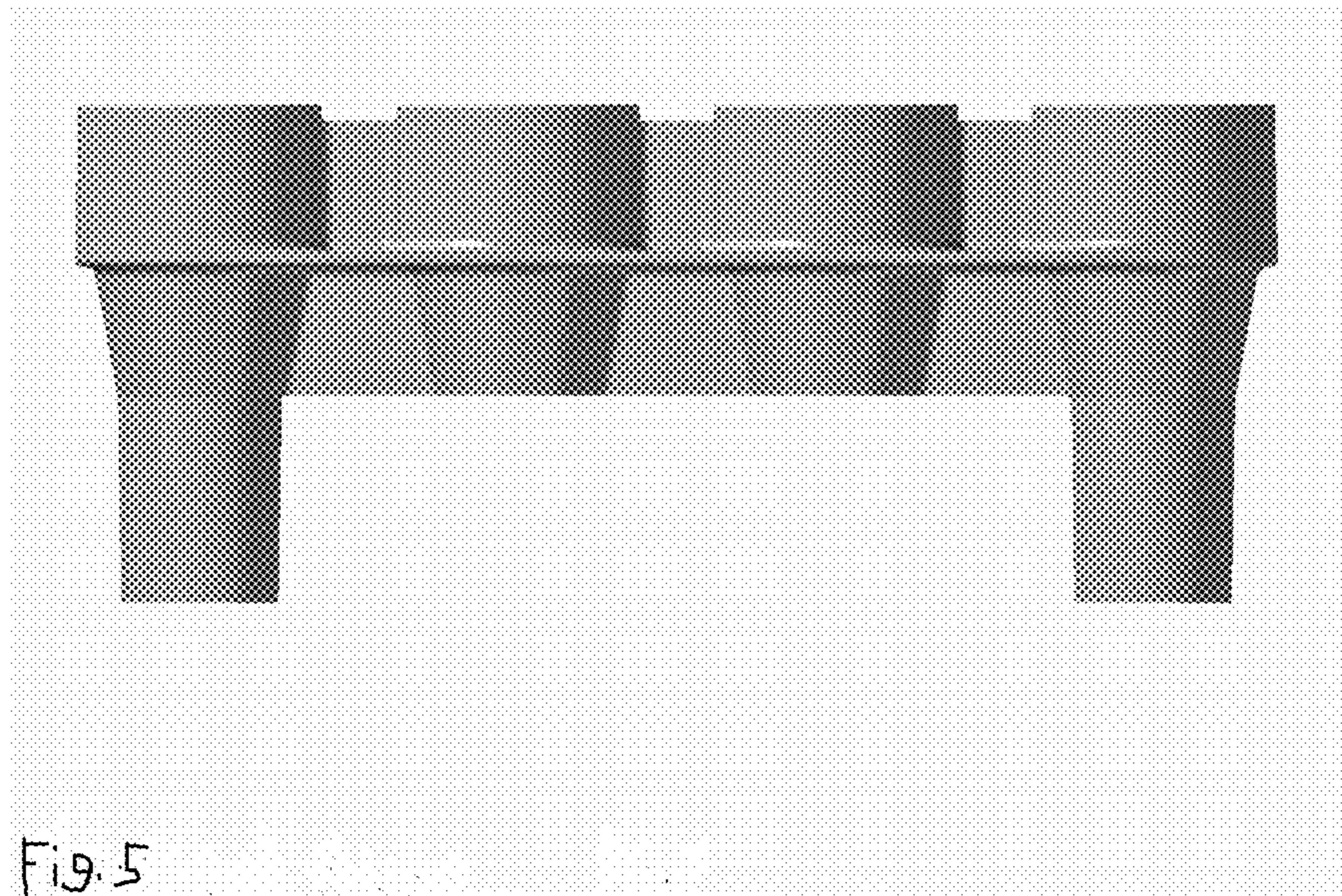


Fig. 5

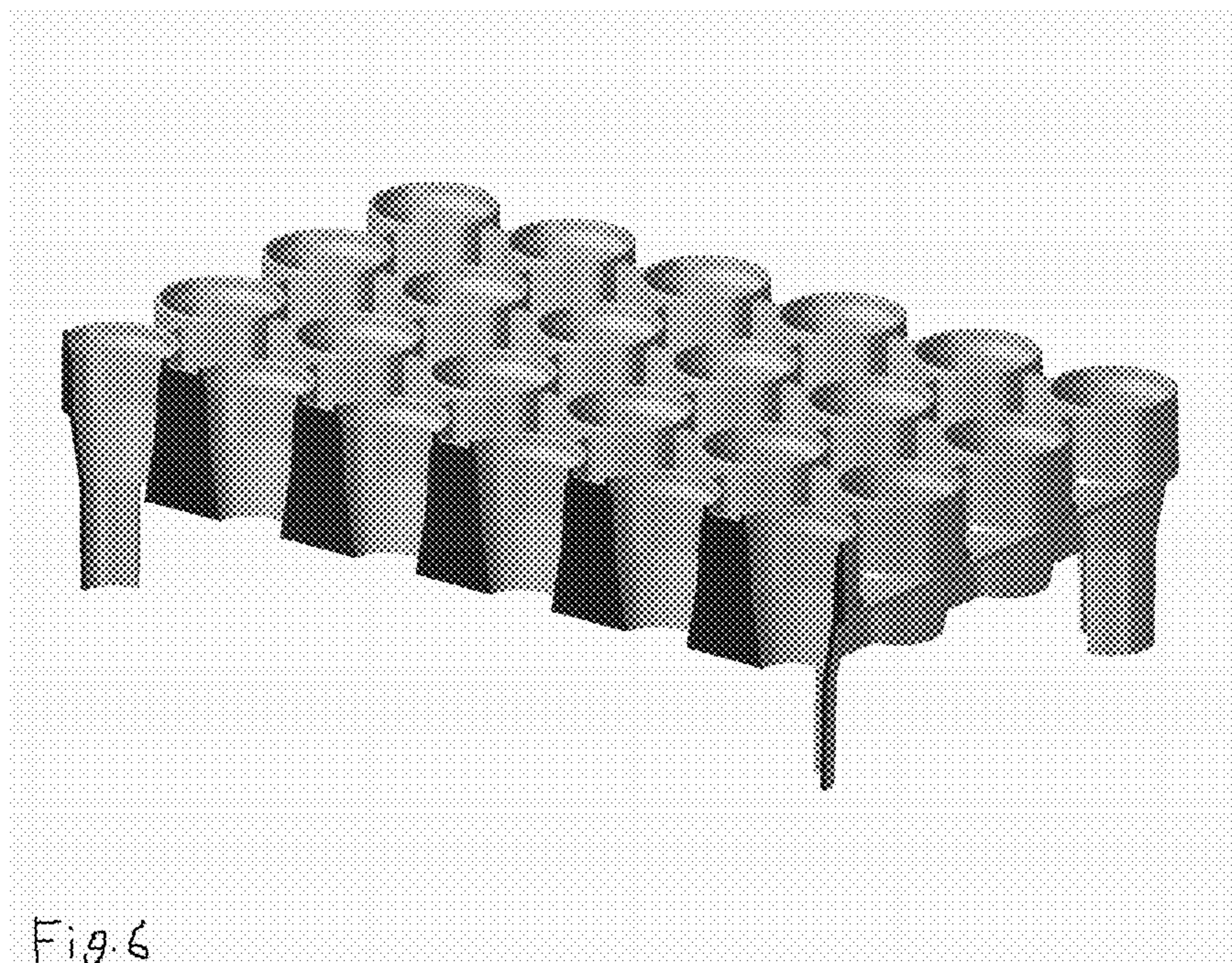


Fig. 6

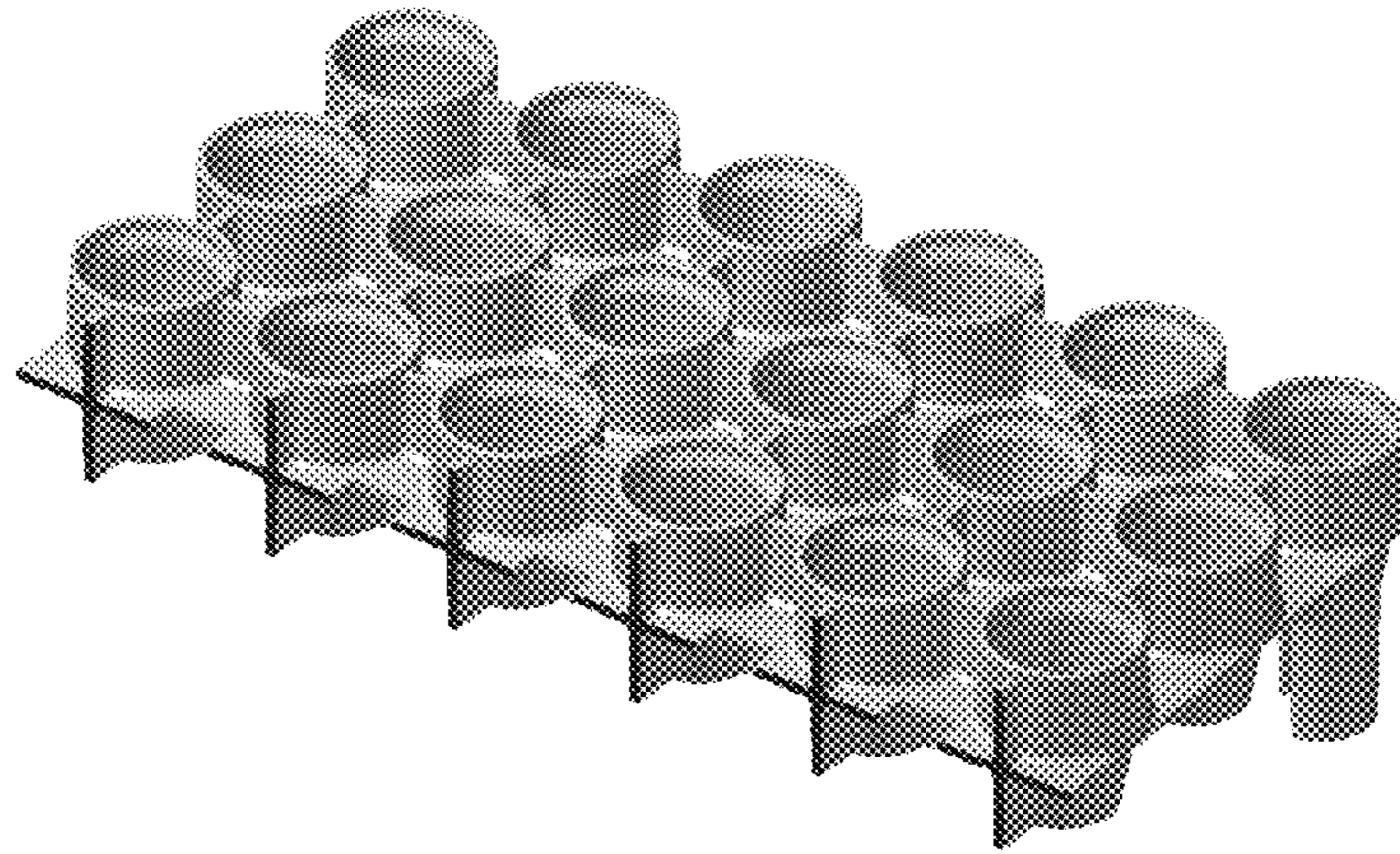


Fig. 7

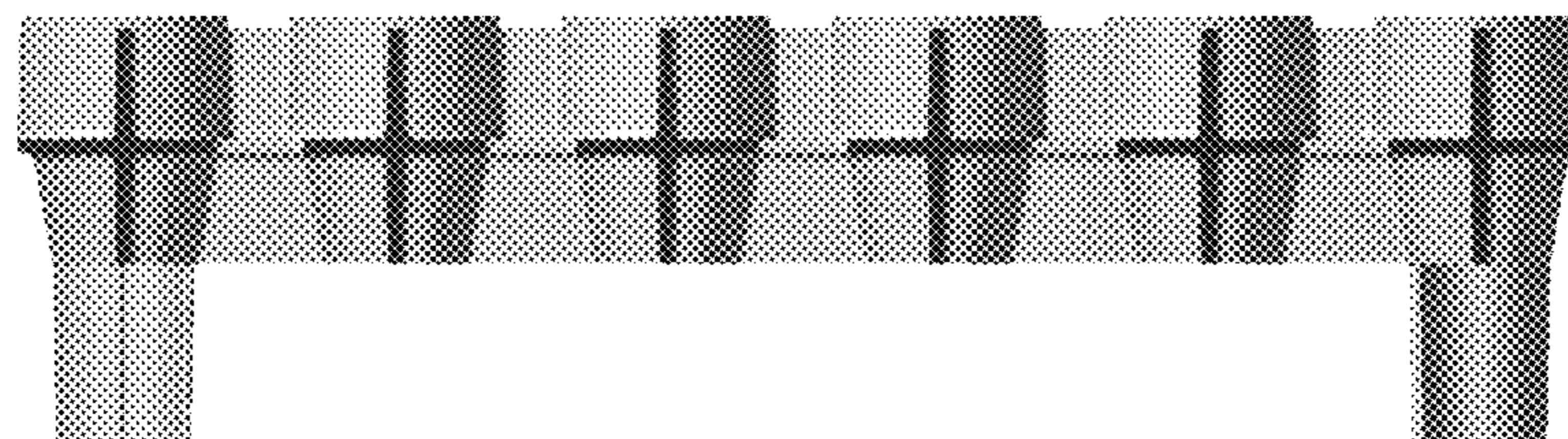


Fig. 8