



US00D682049S

(12) **United States Design Patent**
Jossem et al.

(10) **Patent No.:** **US D682,049 S**

(45) **Date of Patent:** **** May 14, 2013**

(54) **MANDOLIN SLICER**

(75) Inventors: **Adam A. Jossem**, Seattle, WA (US);
David A. Holcomb, Seattle, WA (US)

(73) Assignee: **Chef'n Corporation**, Seattle, WA (US)

(**) Term: **14 Years**

(21) Appl. No.: **29/424,856**

(22) Filed: **Jun. 15, 2012**

(51) **LOC (9) Cl.** **07-04**

(52) **U.S. Cl.**
USPC **D7/673**

(58) **Field of Classification Search** D7/672-677,
D7/678, 381, 382, 384, 669, 368, 372; 241/93-95,
241/101.1, 37.5, 36, 273.1-273.4, 100, 285.1,
241/283, 285.2, 168, 169; 83/651.1, 648,
83/356.2, 431, 425.3, 435.15, 437.7, 441.1,
83/247, 856, 857, 92, 167, 13; 99/537, 538;
30/279.6, 280

See application file for complete search history.

(56) **References Cited**

U.S. PATENT DOCUMENTS

D393,576 S *	4/1998	Wong	D7/678
D400,767 S *	11/1998	de Saint-Genois	D7/673
6,732,622 B2 *	5/2004	Vincent	83/247
D495,218 S *	8/2004	Yu	D7/673
D503,314 S *	3/2005	Wong	D7/673

D535,162 S *	1/2007	De Buyer	D7/673
D548,548 S *	8/2007	Lee	D7/673
7,690,285 B2 *	4/2010	de Buyer	83/247
D618,066 S *	6/2010	De Buyer et al.	D7/673
D650,642 S *	12/2011	Fung	D7/673
D651,483 S *	1/2012	Bagley	D7/673
2007/0089577 A1 *	4/2007	Wong	83/13

* cited by examiner

Primary Examiner — Terry Wallace

(74) *Attorney, Agent, or Firm* — Seed IP Law Group PLLC

(57) **CLAIM**

The ornamental design for a mandolin slicer, as shown and described.

DESCRIPTION

FIG. 1 is a perspective view of a mandolin slicer showing our new design.

FIG. 2 is a top plan view thereof.

FIG. 3 is a bottom plan view thereof.

FIG. 4 is a front elevation view thereof.

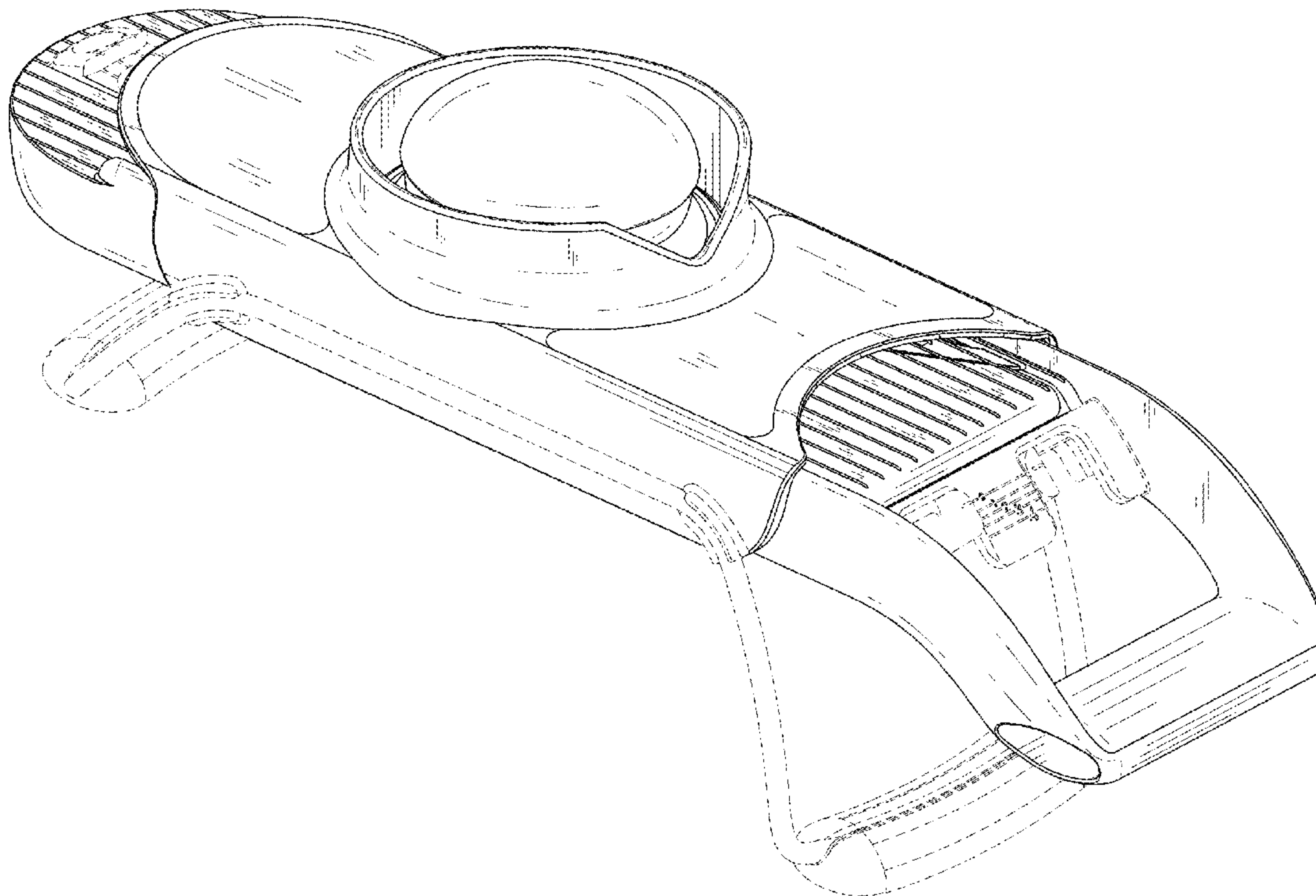
FIG. 5 is a rear elevation view thereof.

FIG. 6 is a left side elevation view thereof; and,

FIG. 7 is a right side elevation view thereof.

The broken lines in the figures are for illustrative purposes only and form no part of the claimed design.

1 Claim, 6 Drawing Sheets



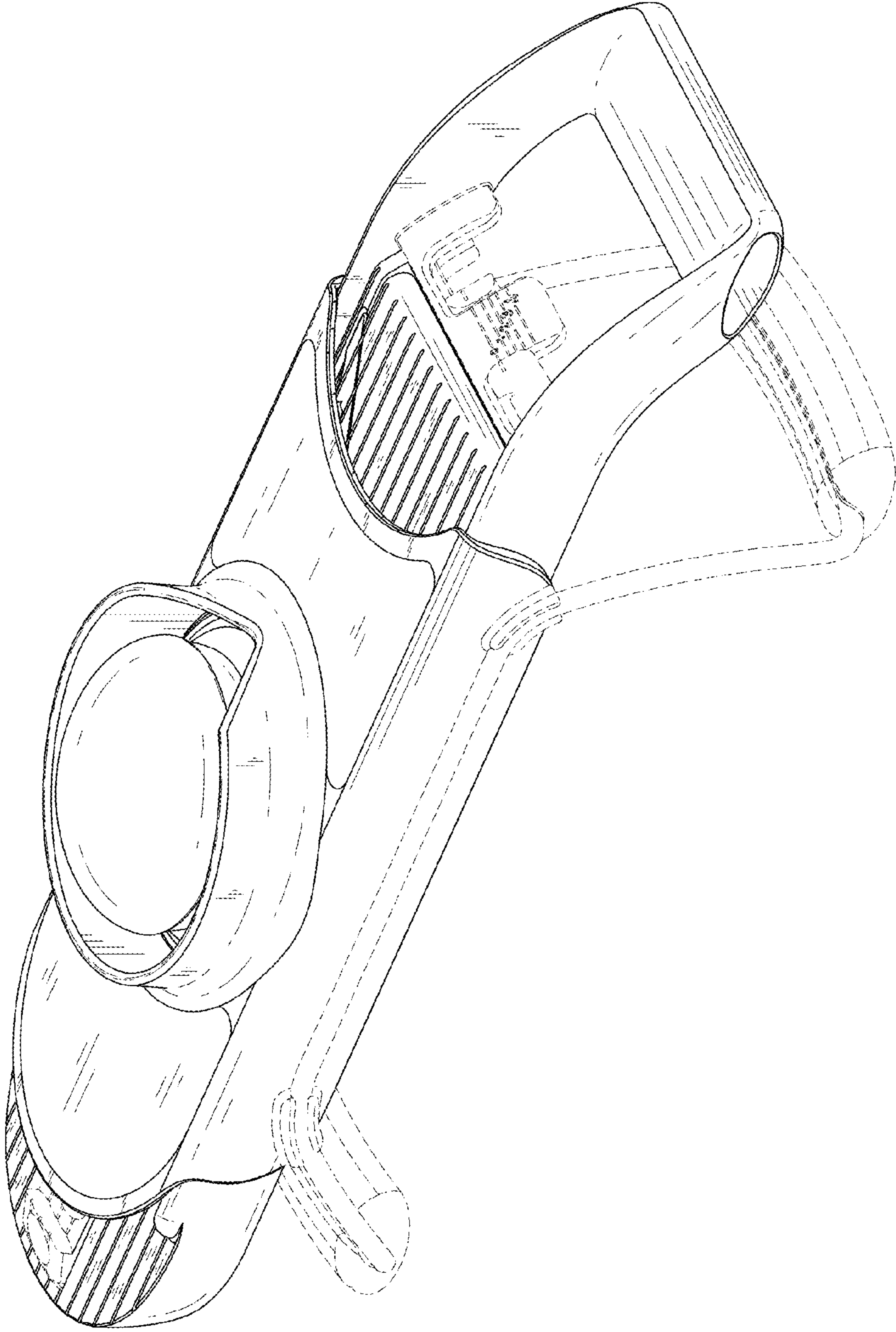


FIG. 1

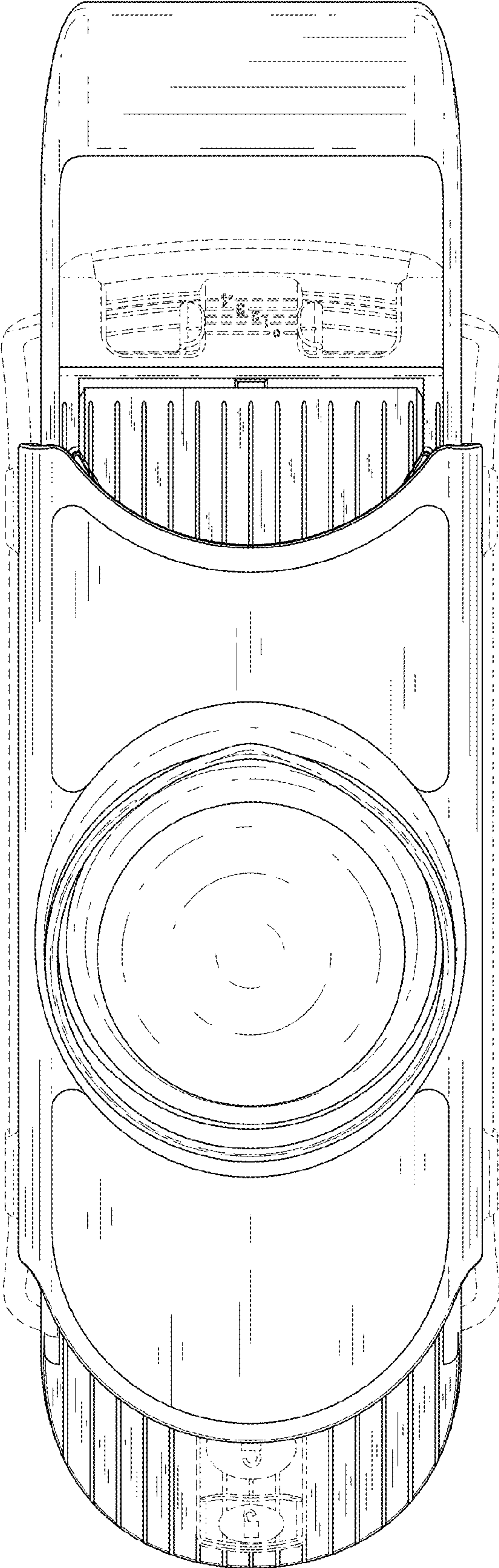


FIG. 2

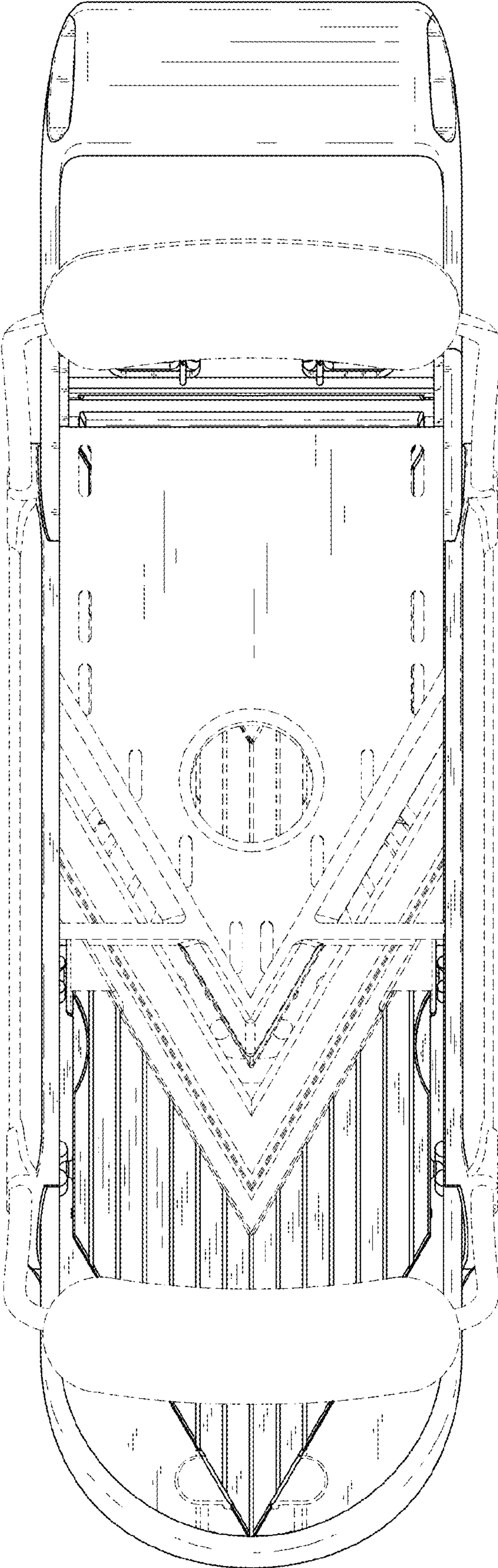


FIG. 3

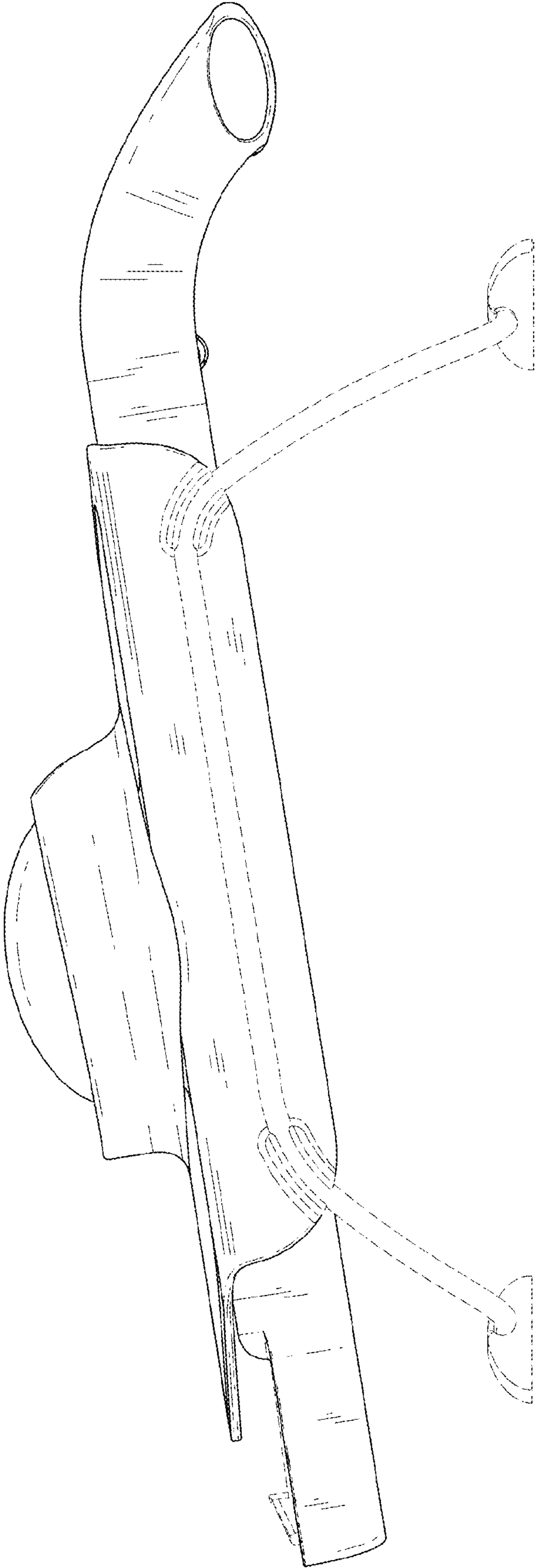


FIG. 4

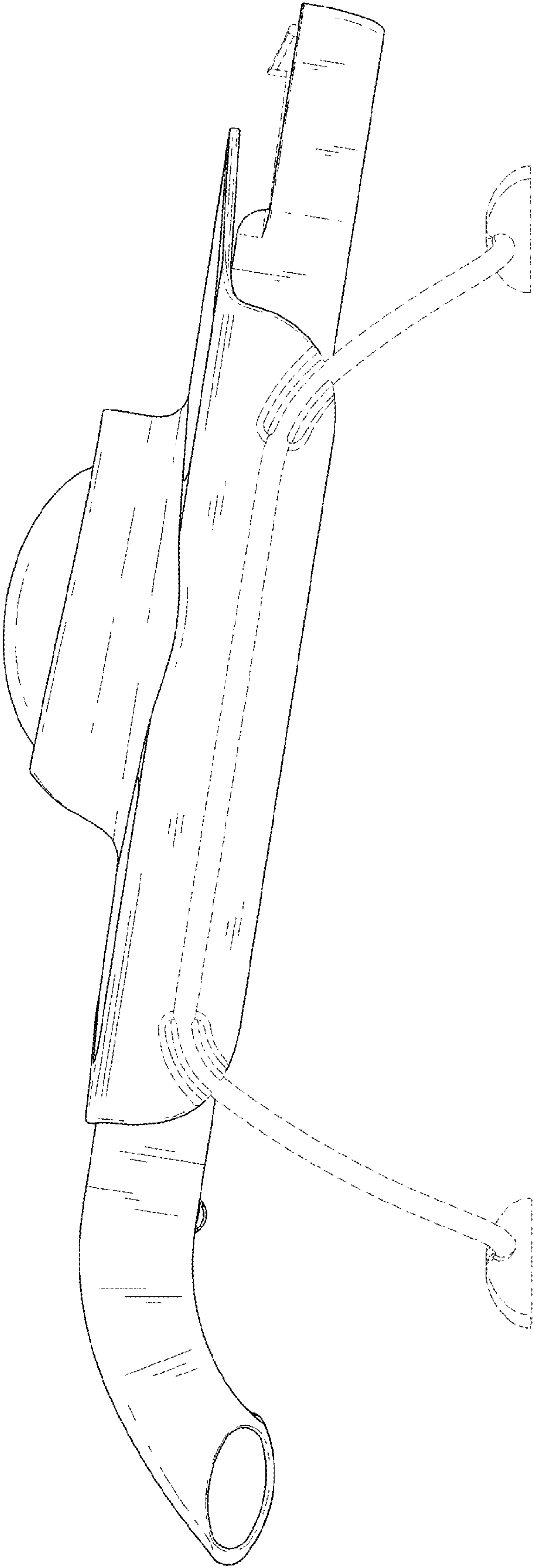


FIG. 5

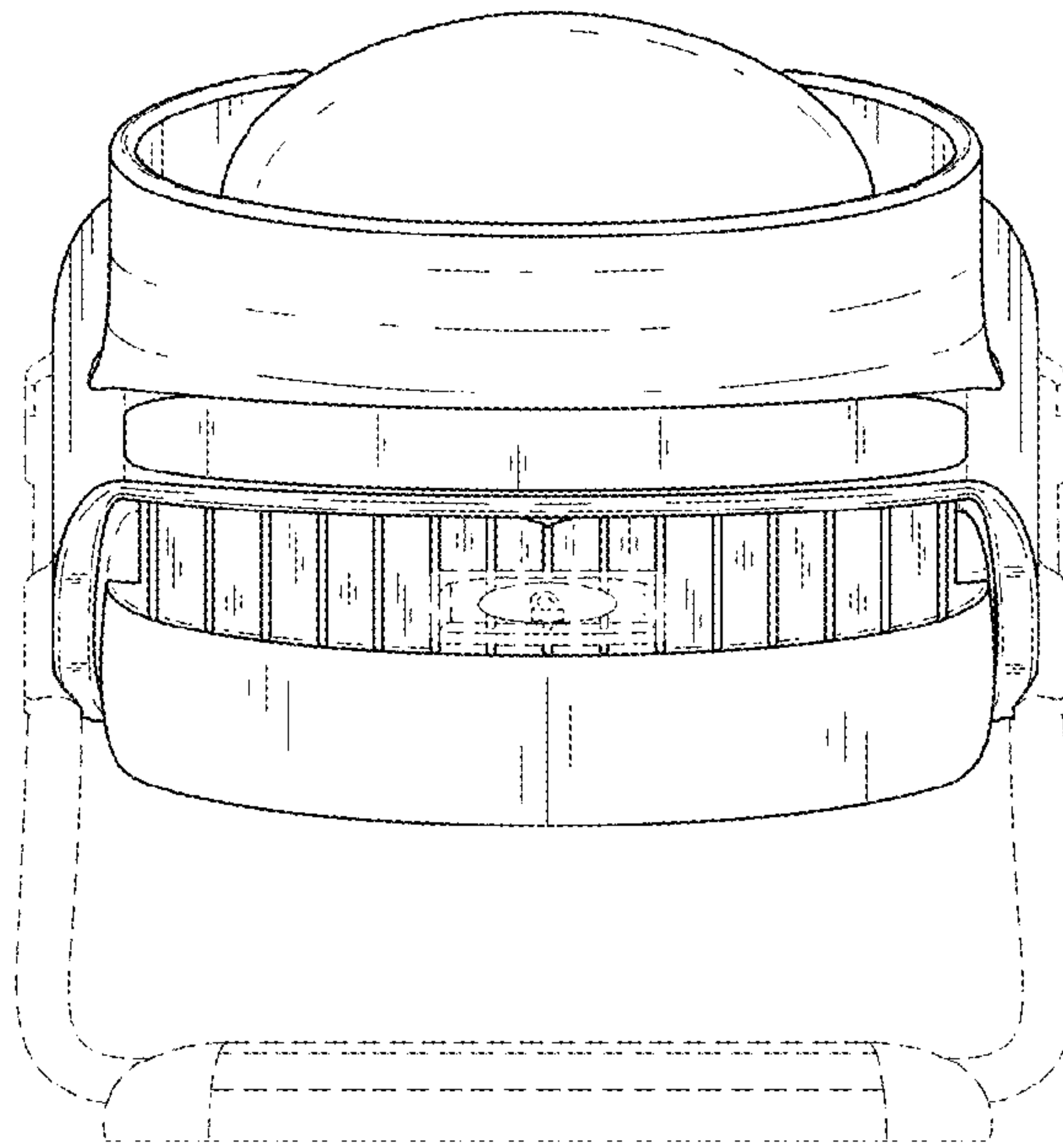


FIG. 6

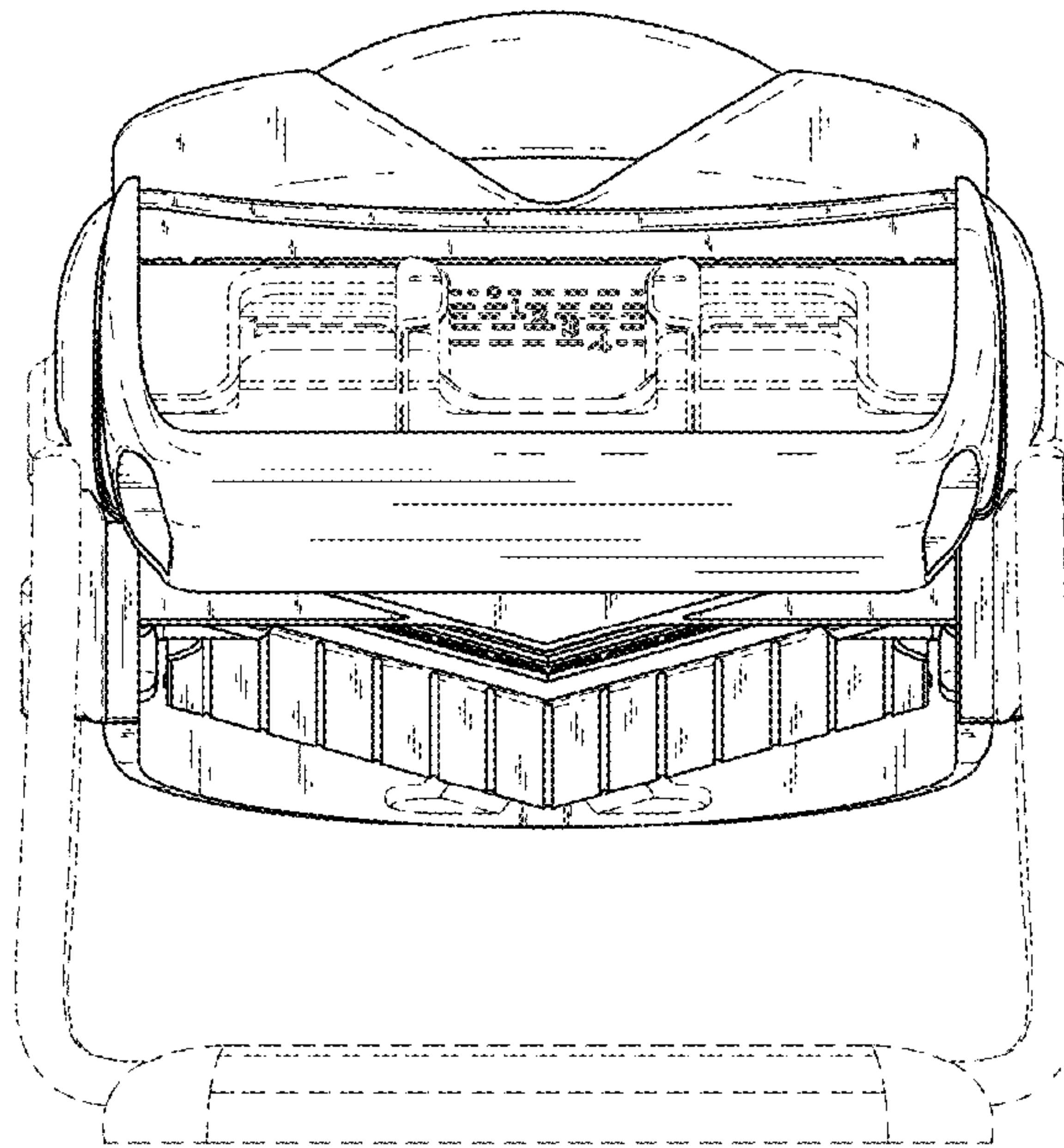


FIG. 7