



US00D682041S

(12) **United States Design Patent**
Moran, Sr.

(10) **Patent No.:** **US D682,041 S**

(45) **Date of Patent:** **** May 14, 2013**

(54) **LIQUID FLASK**

(75) Inventor: **Jorge Eugenio Moran, Sr.**, Nashville, TN (US)

(73) Assignee: **Megatrade International, Inc.**, Nashville, TN (US)

(**) Term: **14 Years**

(21) Appl. No.: **29/432,152**

(22) Filed: **Sep. 13, 2012**

Related U.S. Application Data

(62) Division of application No. 29/382,227, filed on Dec. 30, 2010, now Pat. No. Des. 673,459.

(51) **LOC (9) Cl.** **07-01**

(52) **U.S. Cl.**

USPC **D7/608**

(58) **Field of Classification Search** D7/509,
D7/510, 511, 512, 523, 300, 300.1, 601, 602,
D7/605, 608, 619.1, 629, 630, 396.2; D9/715,
D9/716, 529; D3/201, 202; 215/386, 398,
215/396; 220/592.16, 592.17, 592.2, 592.21,
220/495.03

See application file for complete search history.

(56) **References Cited**

U.S. PATENT DOCUMENTS

2,808,167 A	10/1957	Polazzolo
2,837,232 A	6/1958	Rossi
2,981,562 A	4/1961	Long
3,356,243 A	12/1967	Piker
D262,856 S	2/1982	MacTavish et al.
D360,113 S	7/1995	Takahashi
D379,743 S	6/1997	Enomoto et al.

(Continued)

FOREIGN PATENT DOCUMENTS

FR 2866324 A1 8/2005

Primary Examiner — Elizabeth J Oswecki

(74) *Attorney, Agent, or Firm* — LeClairRyan, a Professional Corporation

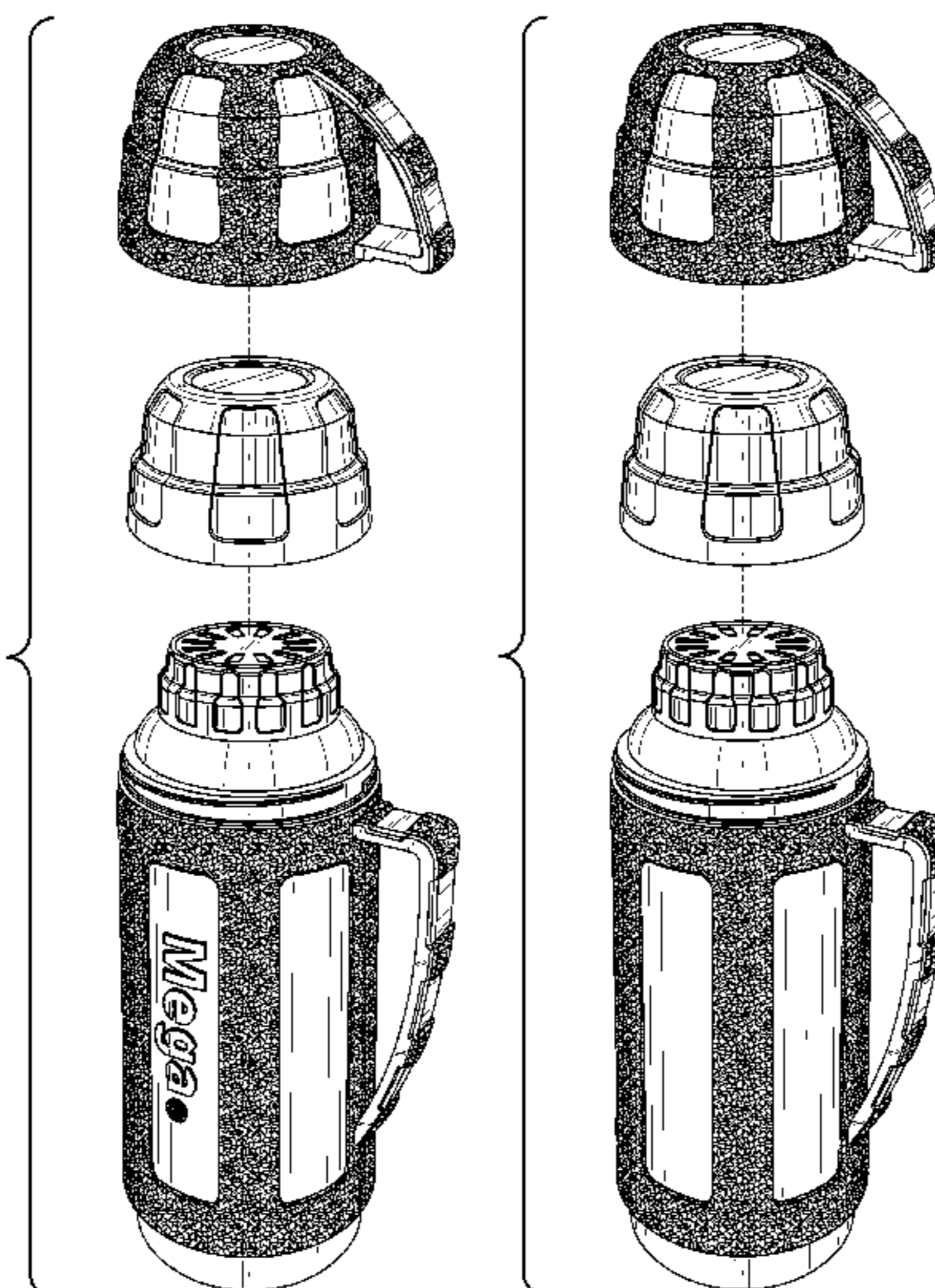
(57) **CLAIM**

I claim the ornamental design for a liquid flask, as shown and described.

DESCRIPTION

FIG. 1 is a perspective view of a first embodiment of a liquid flask showing my new design;
 FIG. 2 is a side elevation view thereof;
 FIG. 3 is a second side elevation view thereof;
 FIG. 4 is a third side elevation view thereof;
 FIG. 5 is a fourth side elevation view thereof;
 FIG. 6 is a top plan view thereof;
 FIG. 7 is a bottom plan view thereof;
 FIG. 8 is an exploded perspective view thereof with an outer lid removed;
 FIG. 9 is an exploded perspective view thereof with an outer lid and an inner cup removed;
 FIG. 10 is an exploded perspective view thereof, lacking the inner cup and with an outer lid removed;
 FIG. 11 is a perspective view of a second embodiment of a liquid flask showing my new design;
 FIG. 12 is a side elevation view thereof;
 FIG. 13 is a second side elevation view thereof;
 FIG. 14 is a third side elevation view thereof;
 FIG. 15 is a fourth side elevation view thereof;
 FIG. 16 is a top plan view thereof;
 FIG. 17 is a bottom plan view thereof;
 FIG. 18 is an exploded perspective view thereof with an outer lid removed;
 FIG. 19 is an exploded perspective view thereof with an outer lid and an inner cup removed; and,
 FIG. 20 is an exploded perspective view thereof, lacking the inner cup and with an outer lid removed.
 The broken lines in the drawings illustrate environmental structure on the article and form no part of the claimed design.

1 Claim, 18 Drawing Sheets



US D682,041 S

Page 2

U.S. PATENT DOCUMENTS

D395,203 S	6/1998	Moran	D497,778 S	11/2004	Rich	
D395,793 S	7/1998	Moran	D500,231 S	12/2004	Ward et al.	
D395,794 S	7/1998	Moran	D513,688 S	1/2006	Moran	
D406,014 S	2/1999	Moran	D518,380 S	4/2006	Moran	
D407,273 S	3/1999	Moran	D533,032 S	12/2006	Liu et al.	
D410,175 S	5/1999	Moran	D553,914 S	10/2007	Wahl	
D411,717 S	6/1999	Moran	D569,195 S	5/2008	Kim	
D415,936 S	11/1999	Moran	D572,981 S	7/2008	Carreno	
D422,455 S	4/2000	Kato	D611,765 S *	3/2010	George	D7/510
6,119,888 A *	9/2000	Goto et al. 220/592.27	D618,508 S *	6/2010	George et al.	D7/510
D437,528 S	2/2001	Kitamura et al.	D621,666 S *	8/2010	Wahl	D7/608
6,332,557 B1	12/2001	Moran	D623,480 S	9/2010	Moran	
D452,799 S	1/2002	Moran	D623,481 S	9/2010	Moran	
D453,284 S	2/2002	O'Connor et al.	D625,561 S	10/2010	Ablo	
6,530,496 B2	3/2003	Moran	D630,474 S	1/2011	Gilbert	
6,536,620 B2	3/2003	Moran	D658,446 S *	5/2012	George	D7/608
D488,961 S	4/2004	Moran	D658,447 S *	5/2012	Ying	D7/608
D490,275 S	5/2004	Moran	D658,449 S *	5/2012	Ying	D7/608
6,764,622 B2	7/2004	Moran	D673,459 S *	1/2013	Moran, Sr.	D9/608
D496,559 S	9/2004	Bodum				

* cited by examiner

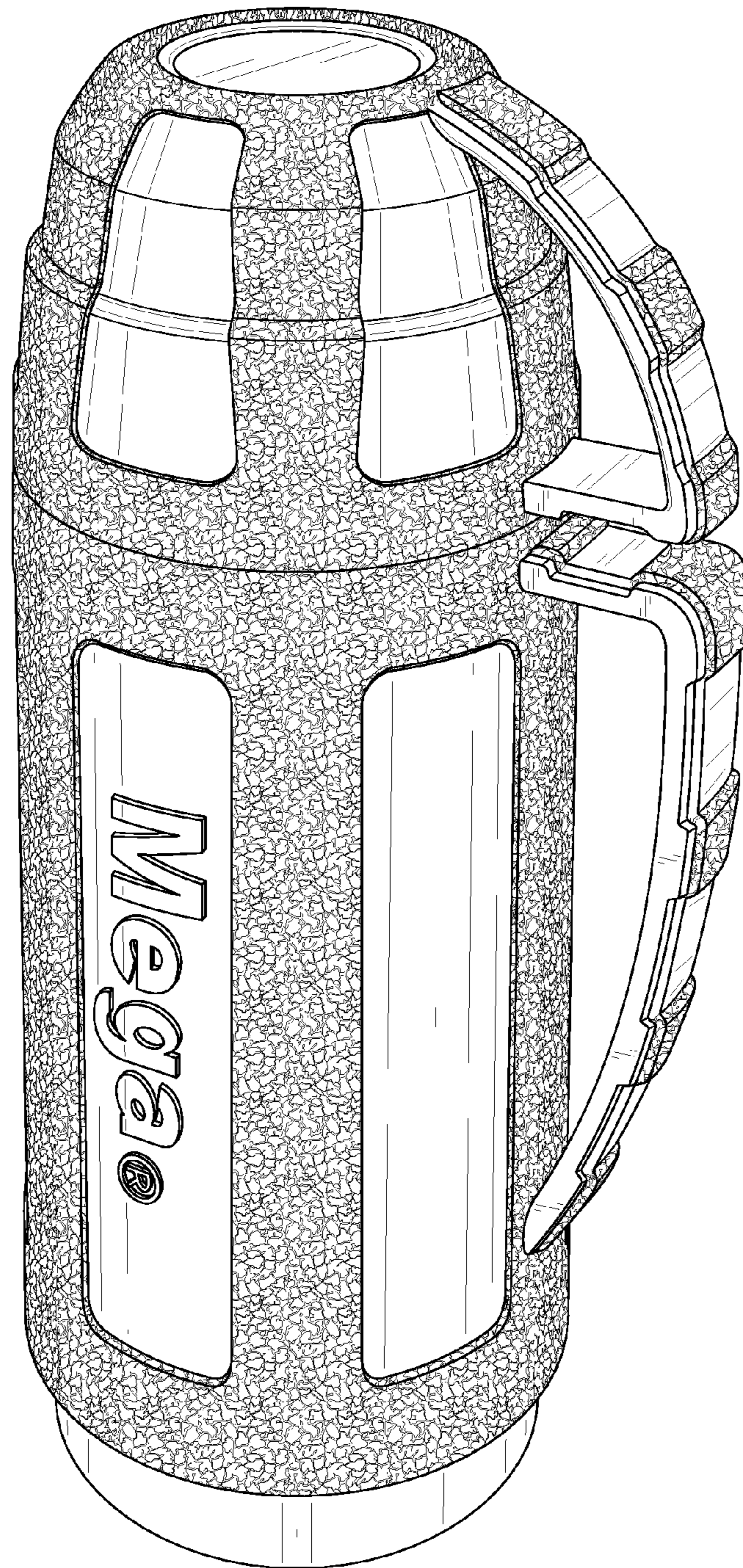


FIG. 1

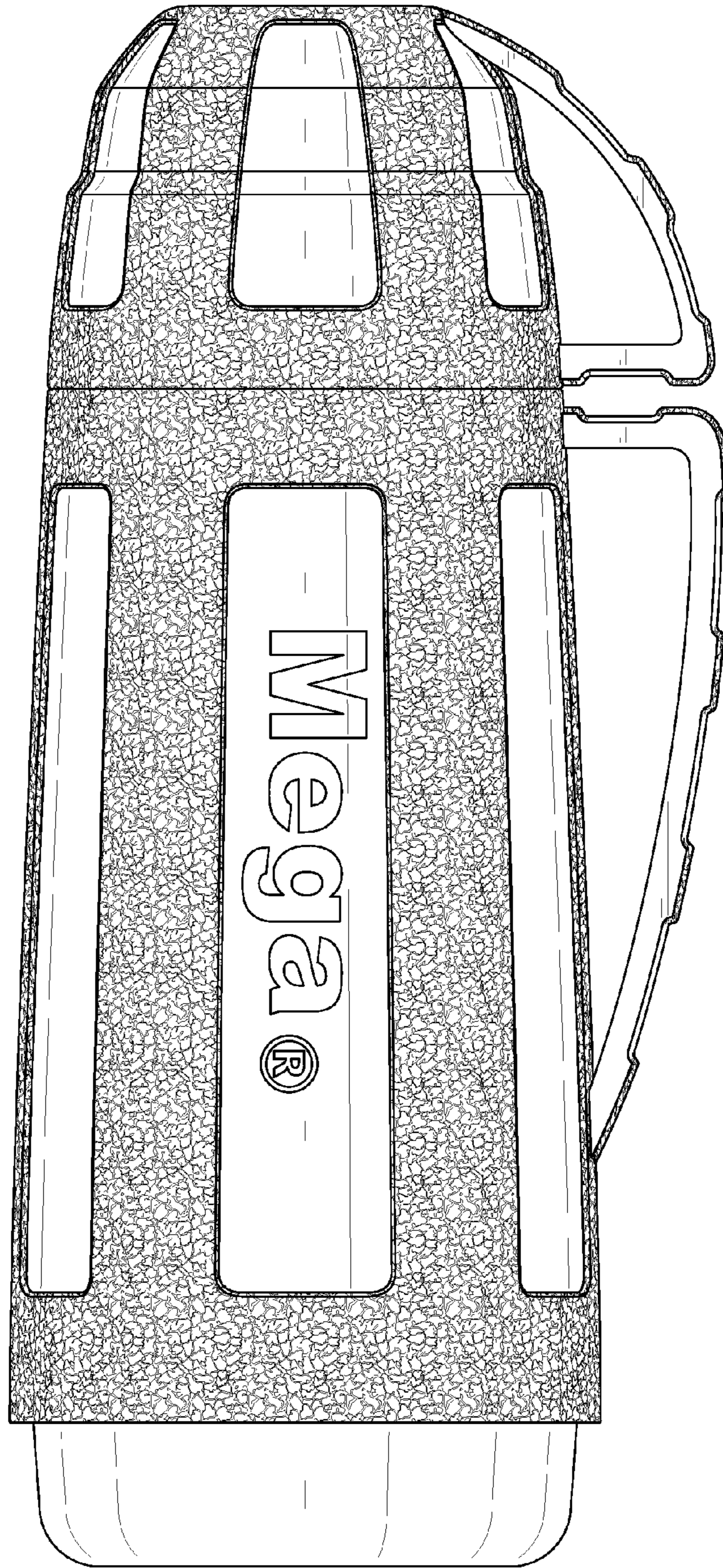


FIG. 2

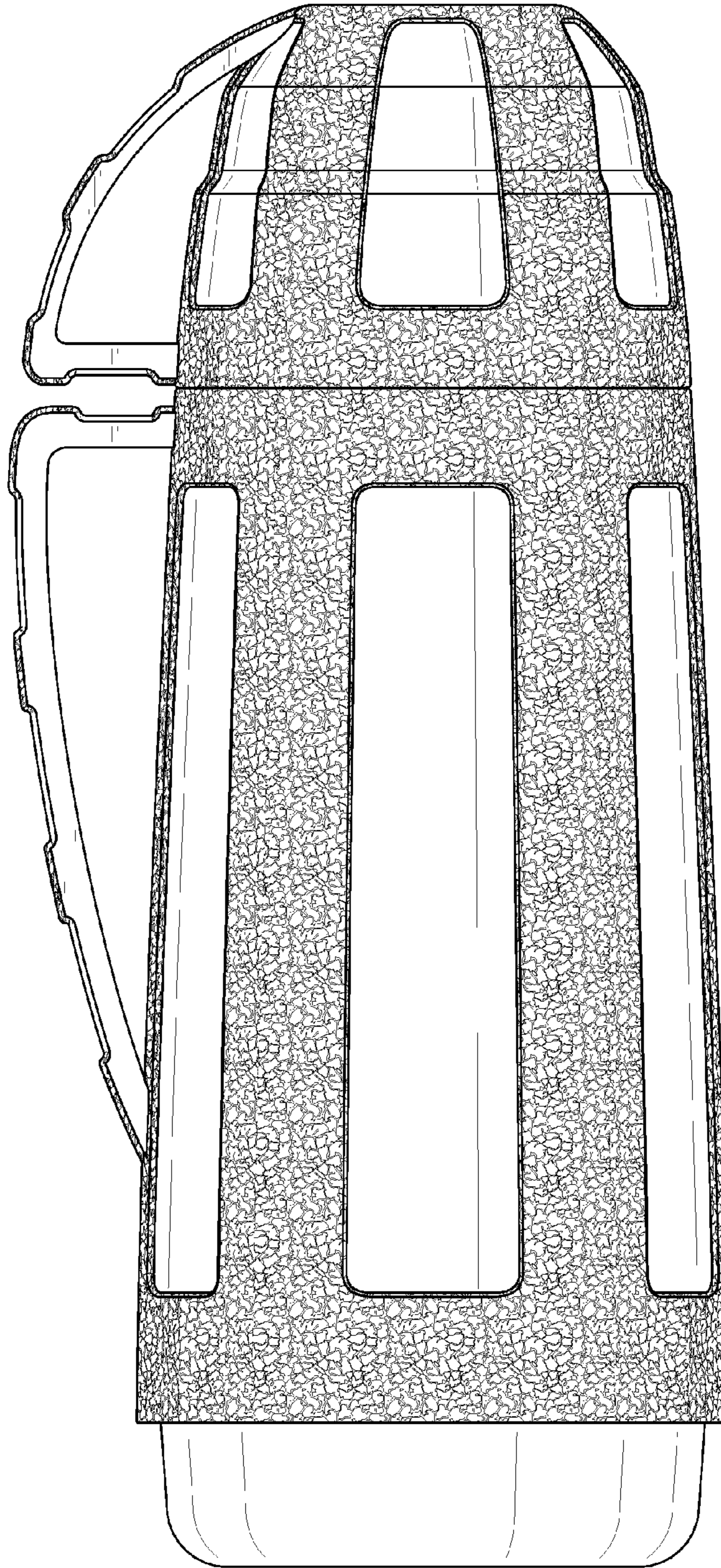


FIG. 3

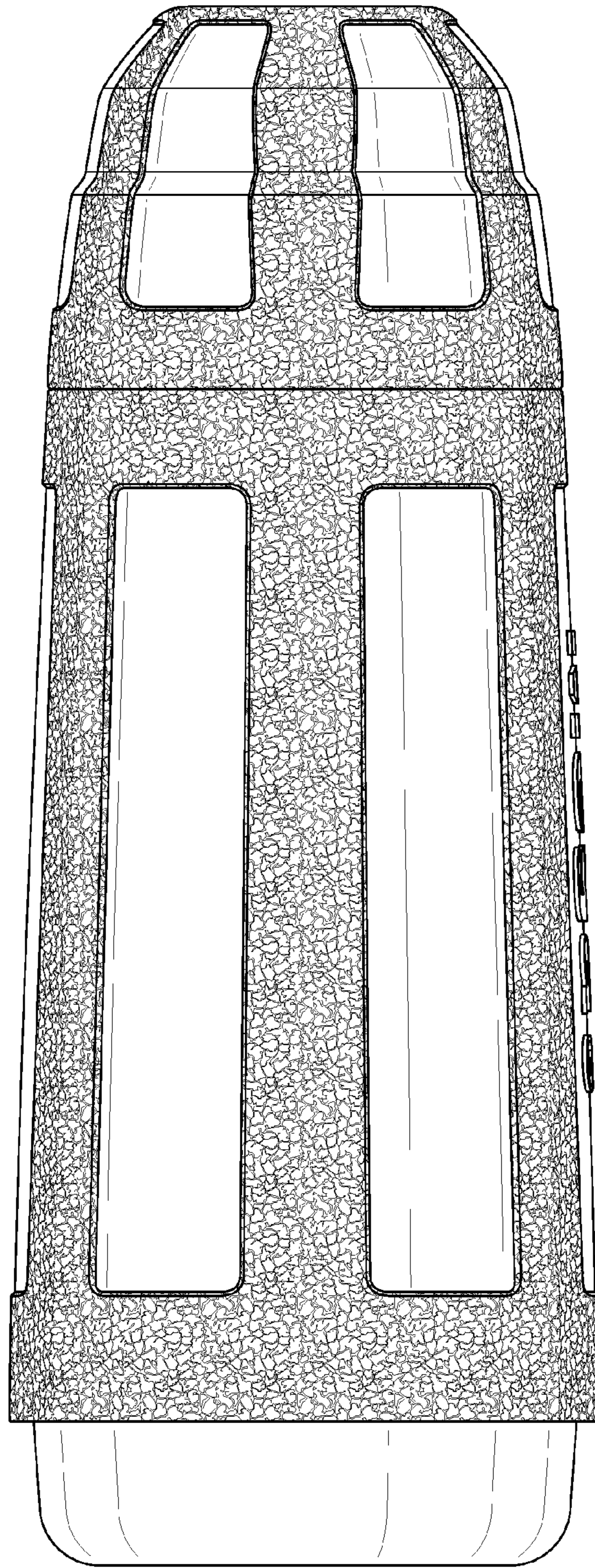


FIG. 4

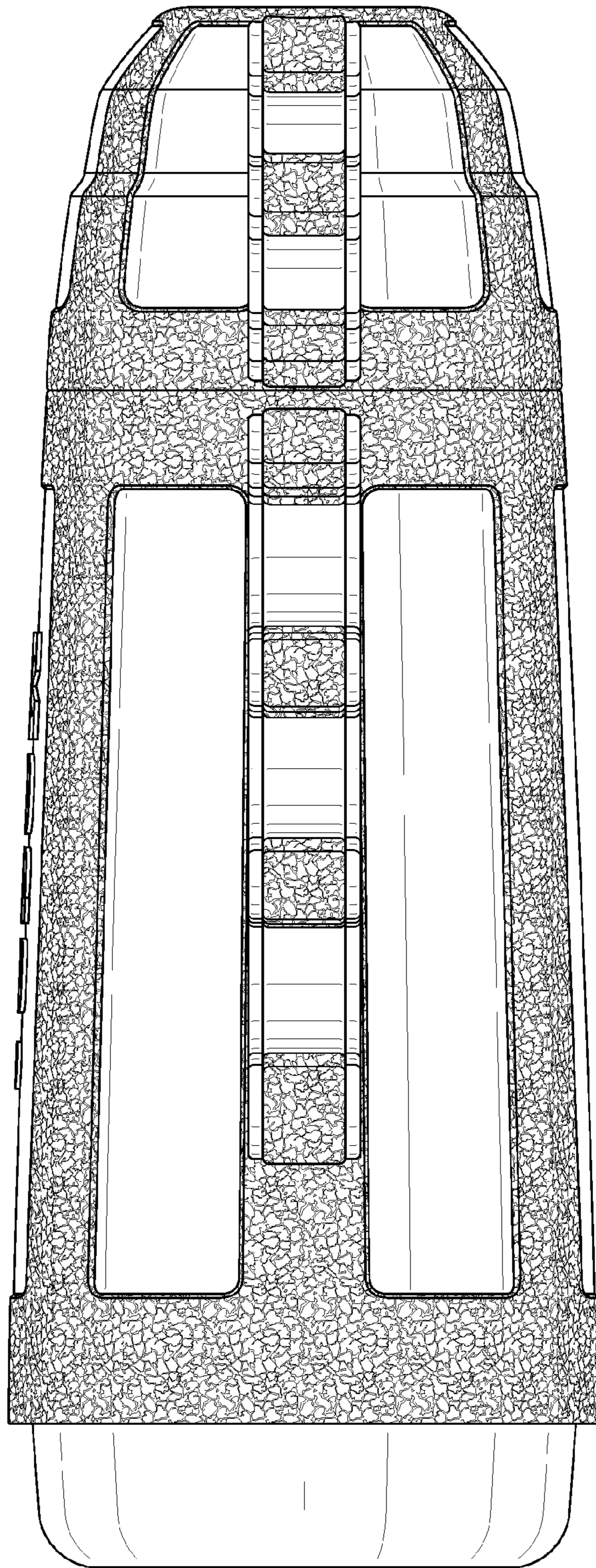


FIG. 5

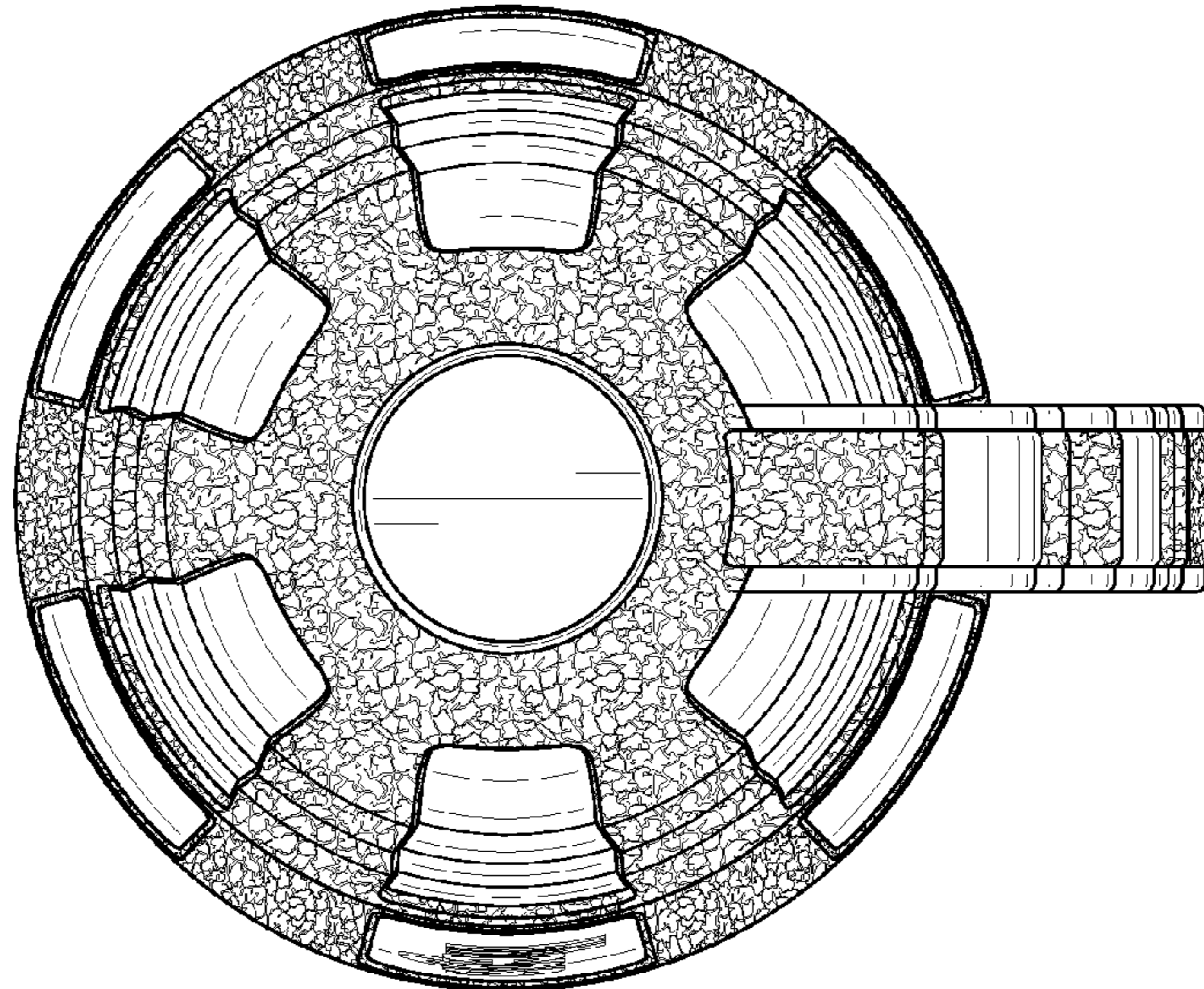


FIG. 6

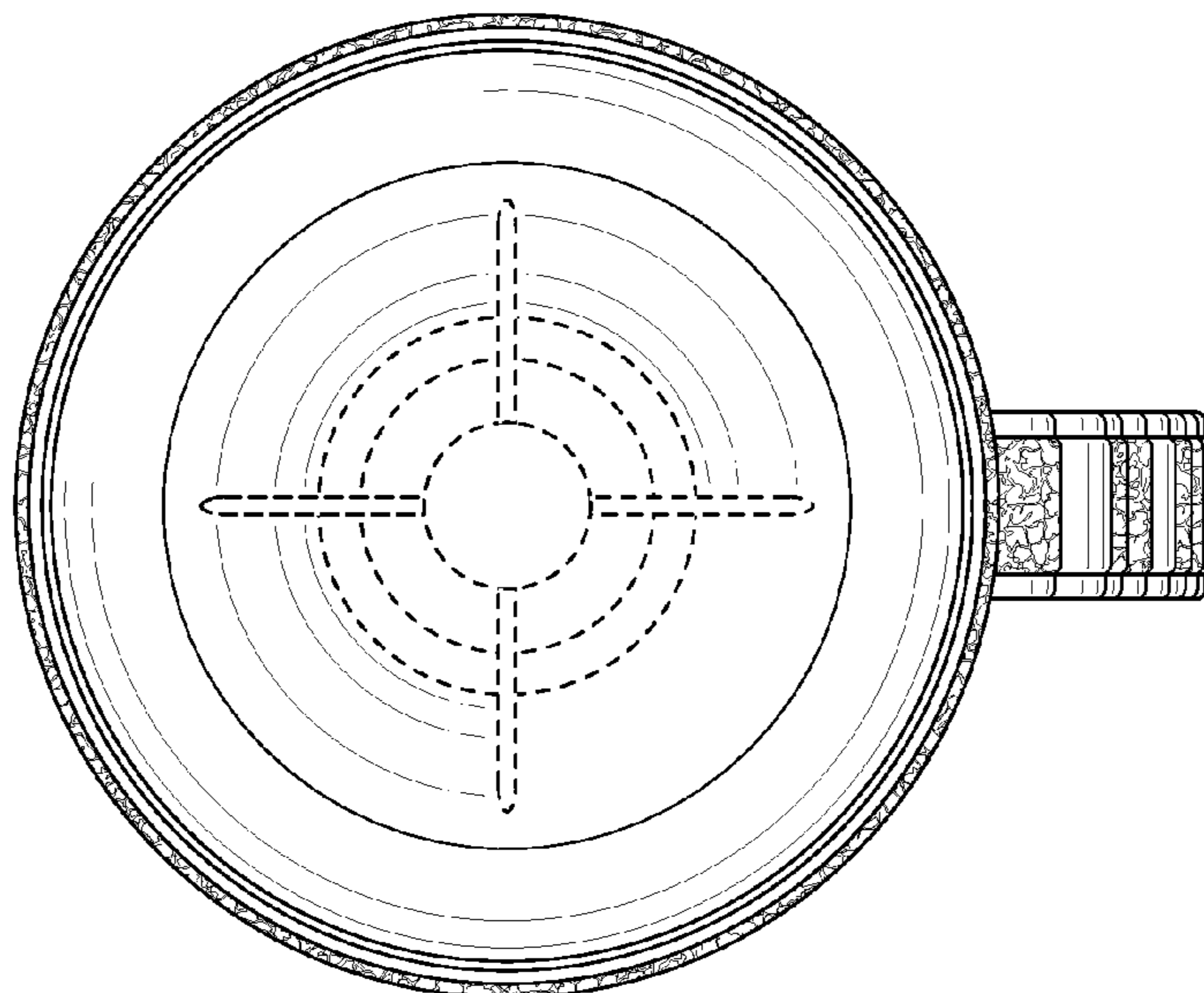


FIG. 7

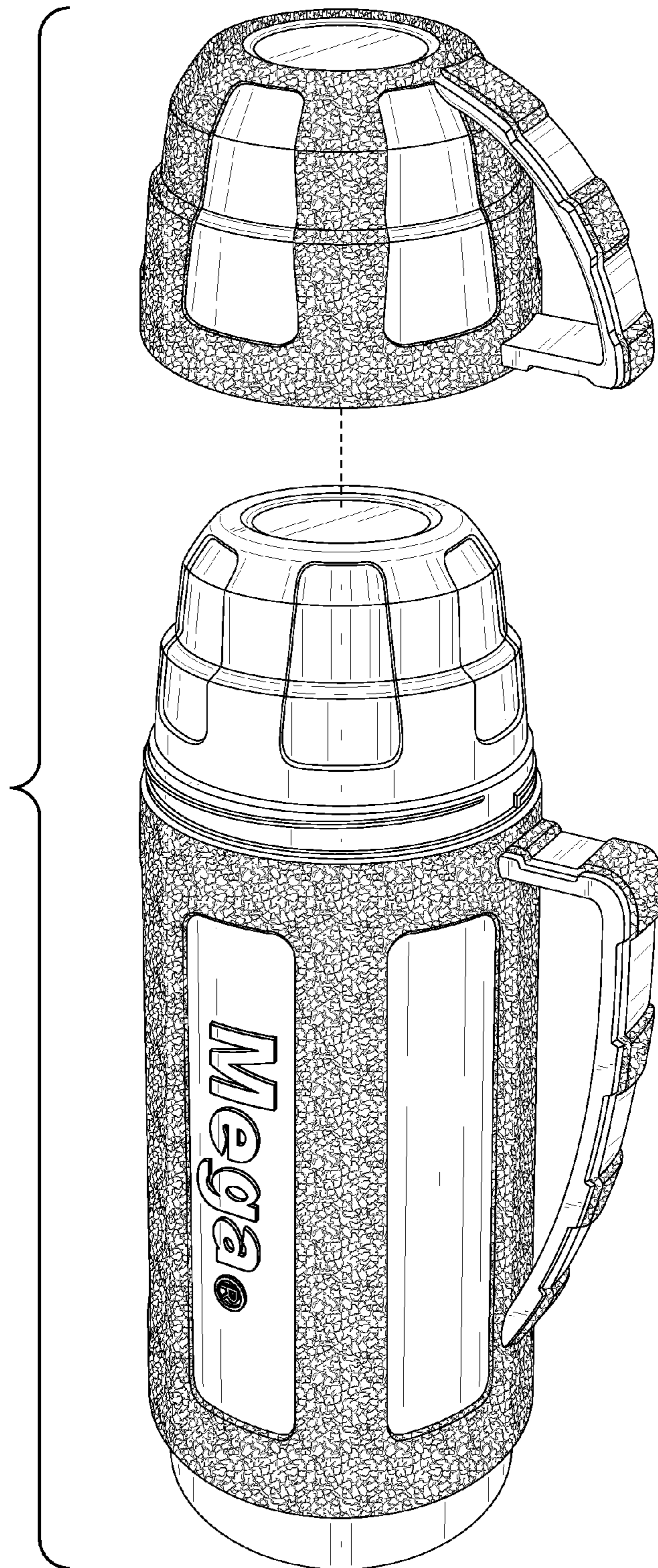


FIG. 8

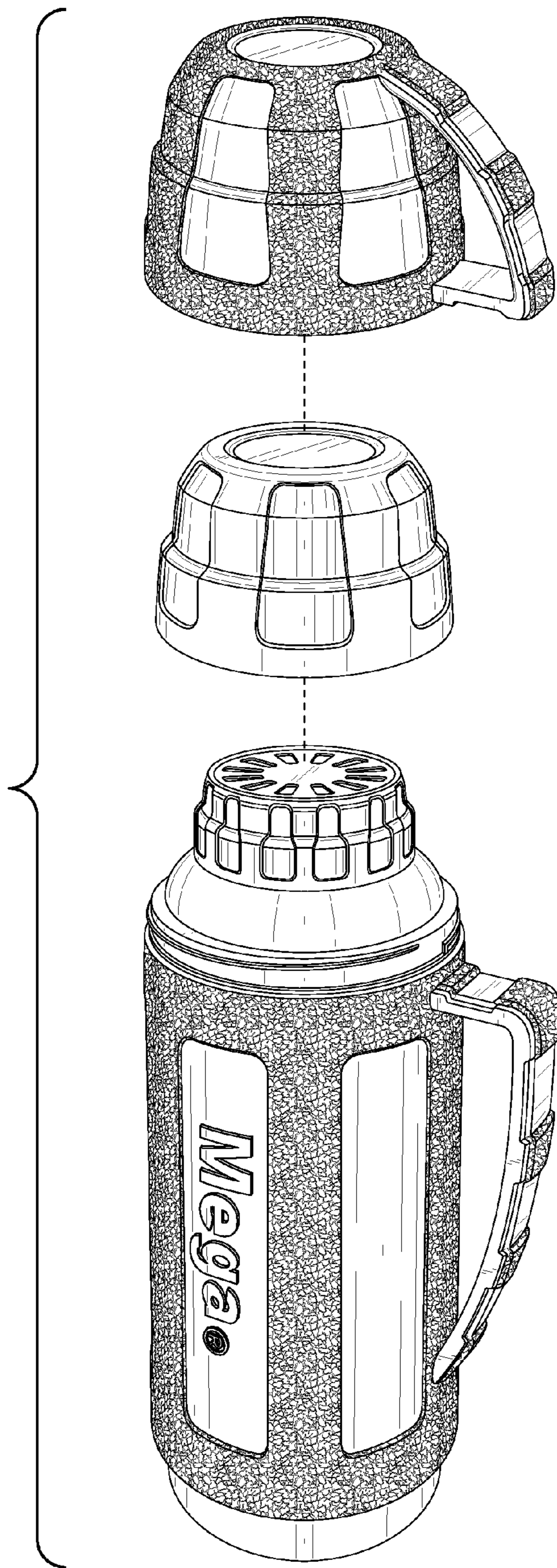


FIG. 9

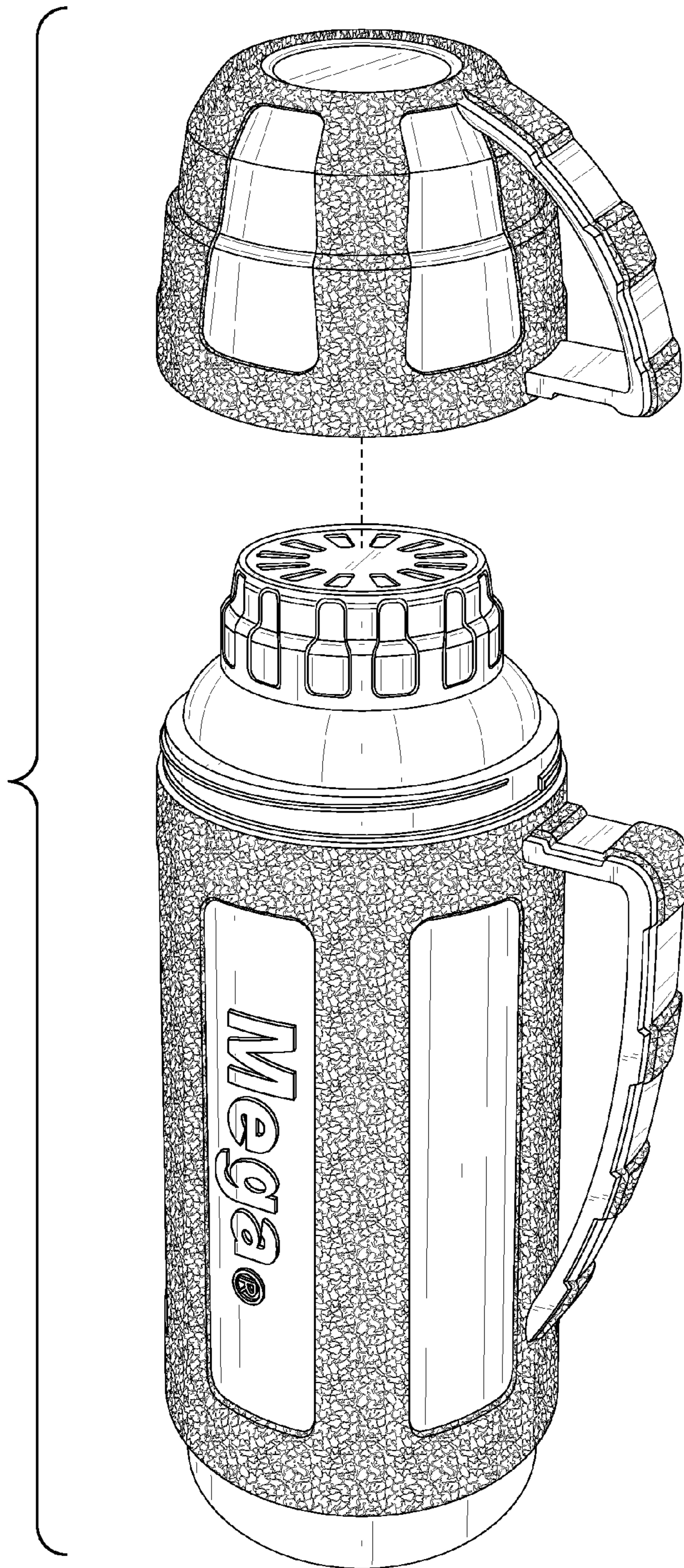


FIG. 10

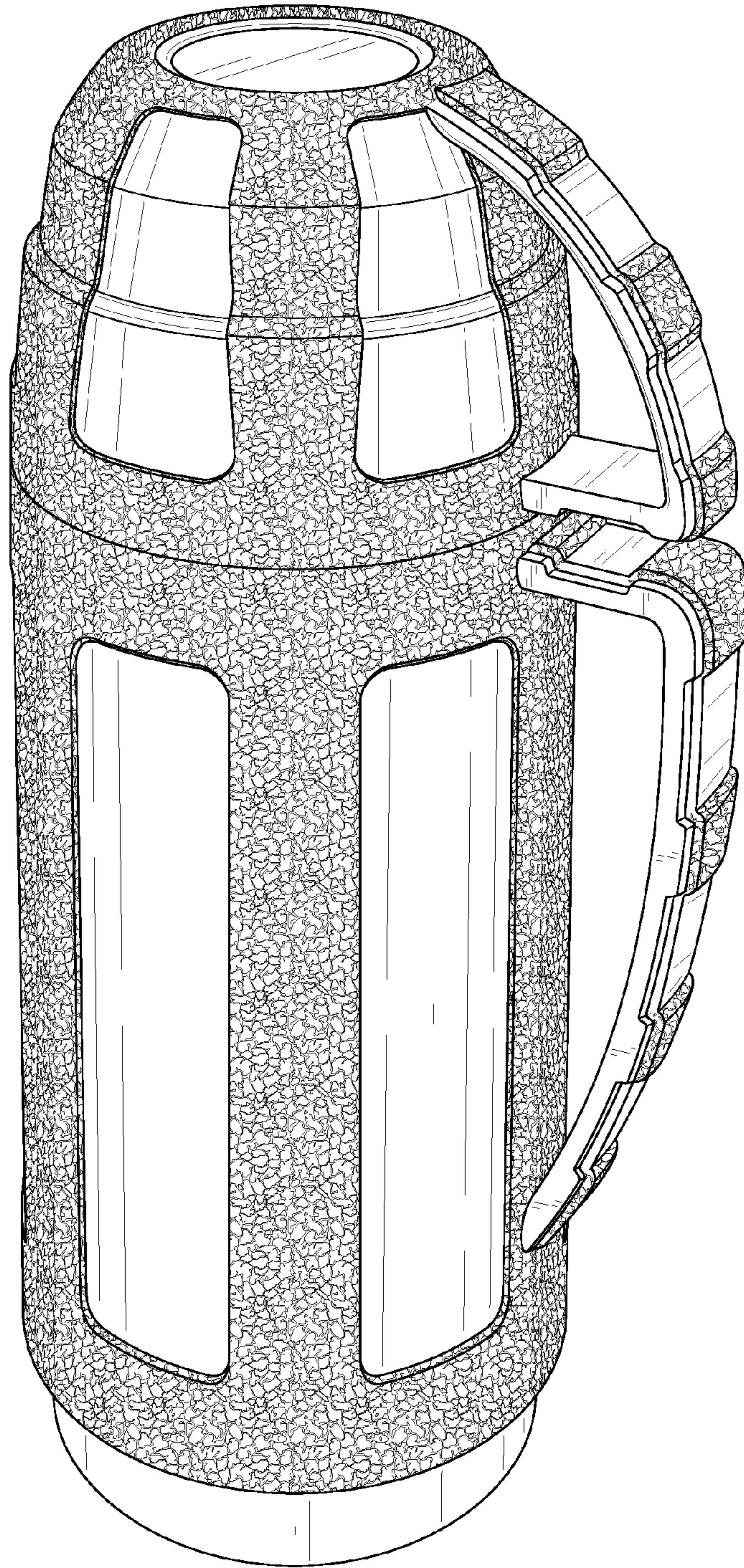


FIG. 11

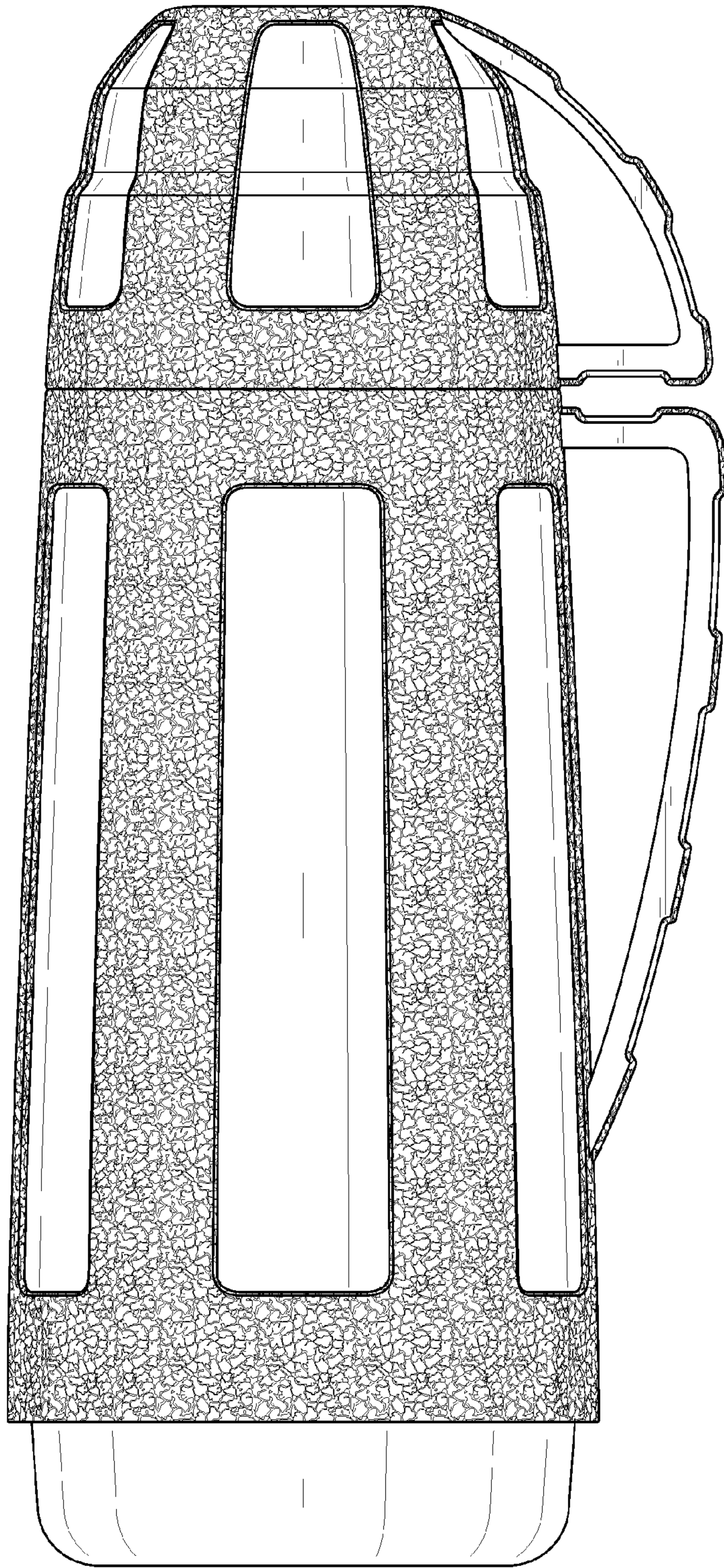


FIG. 12

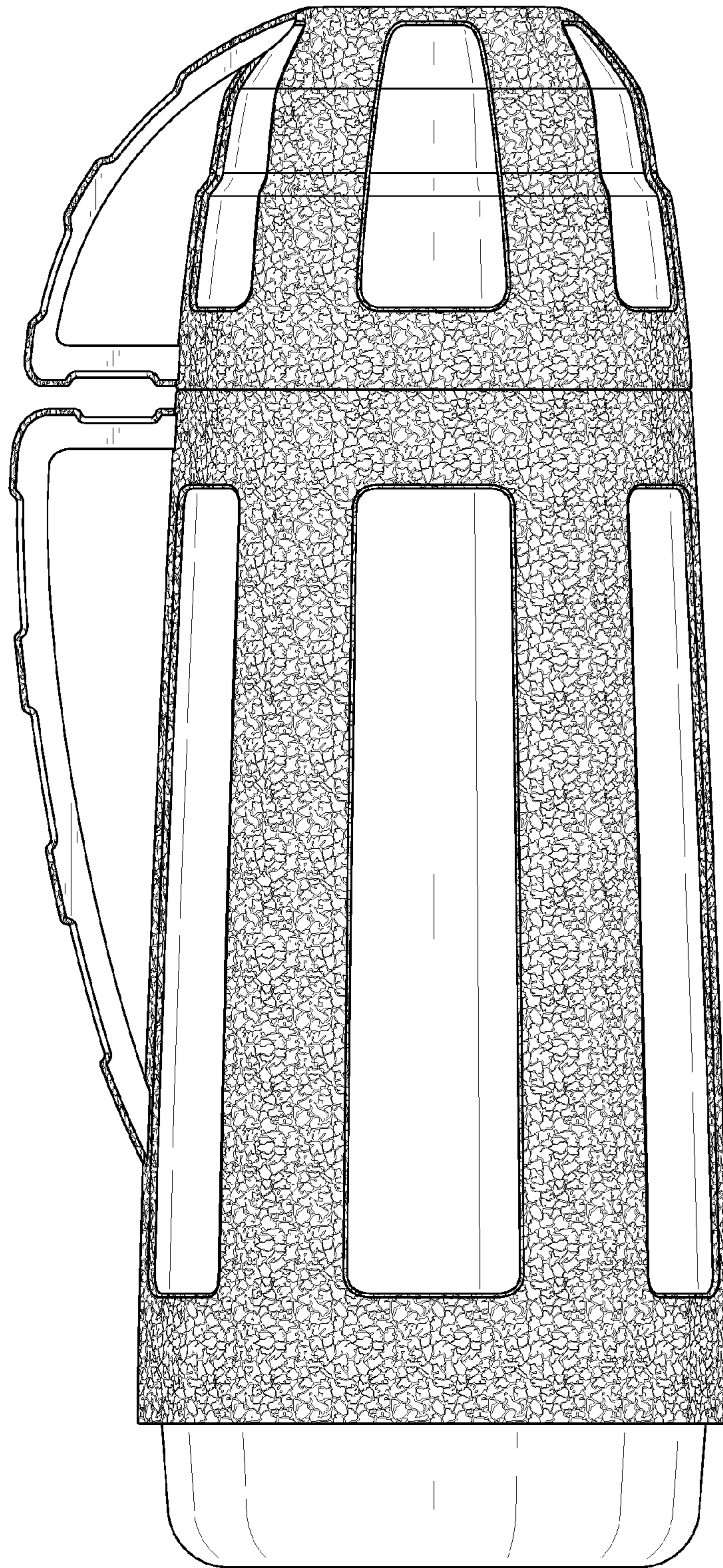


FIG. 13

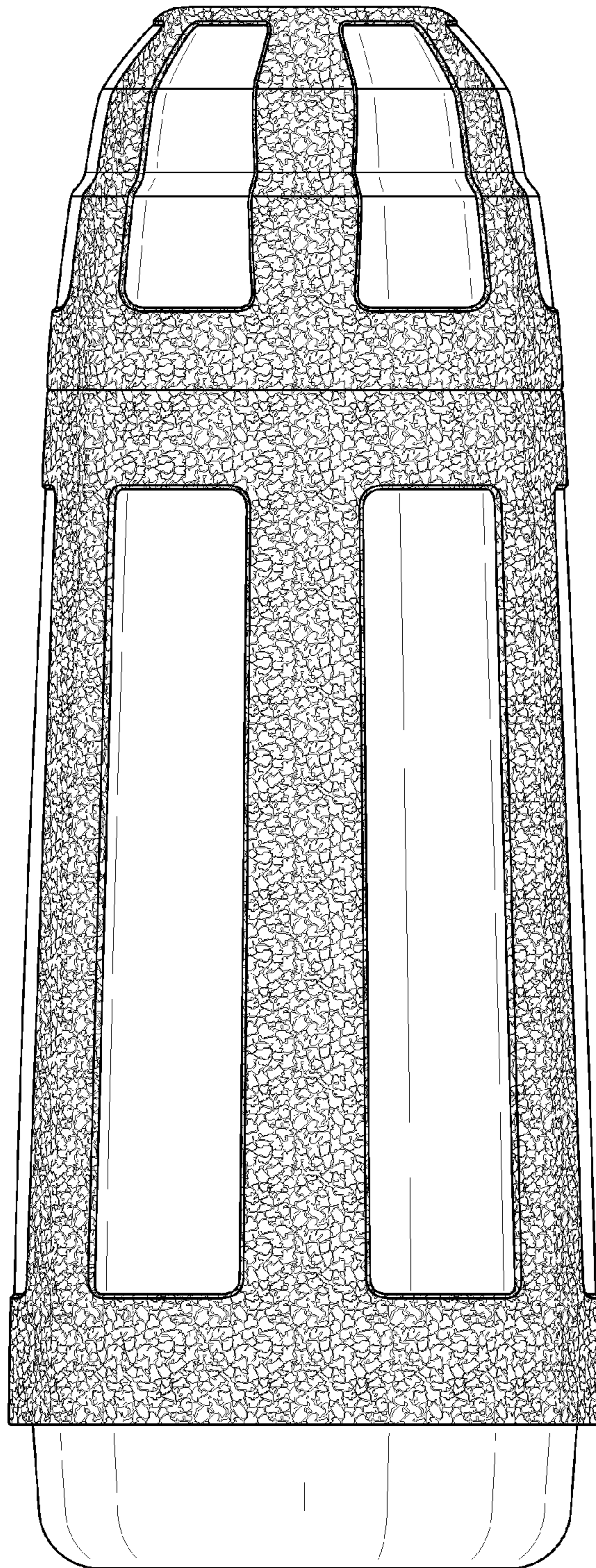


FIG. 14

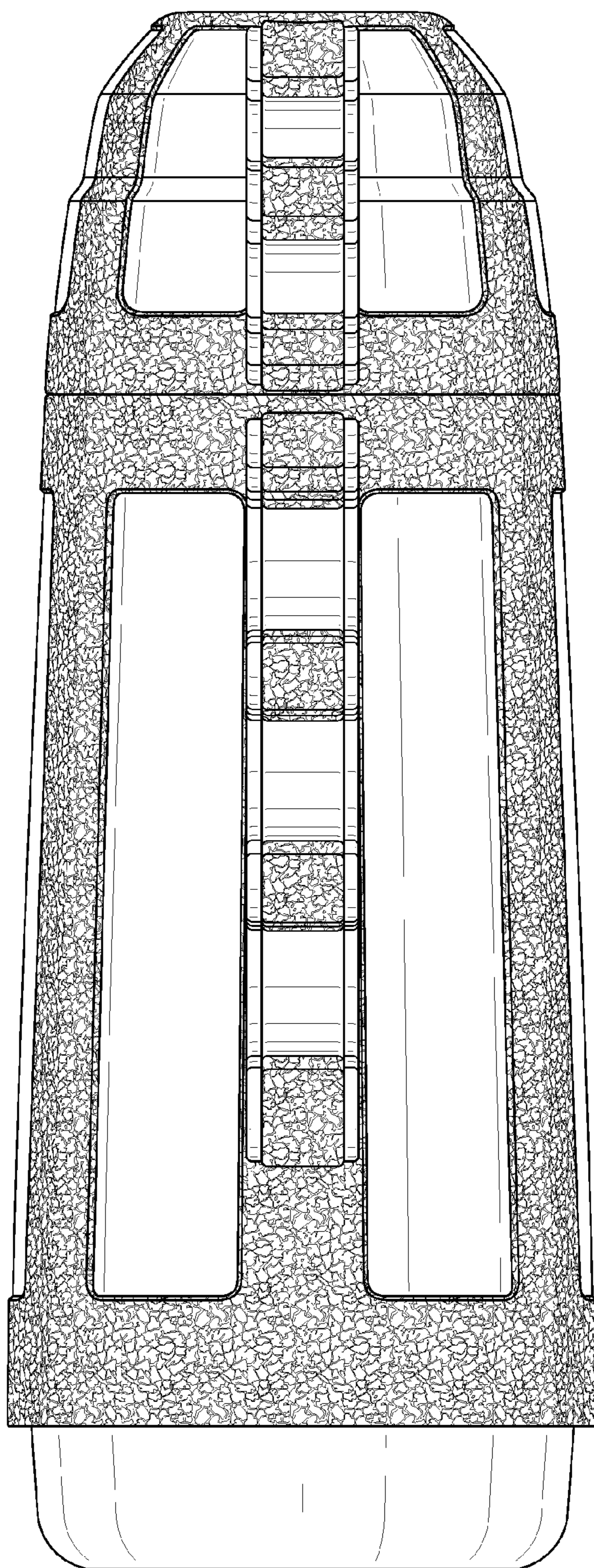


FIG. 15

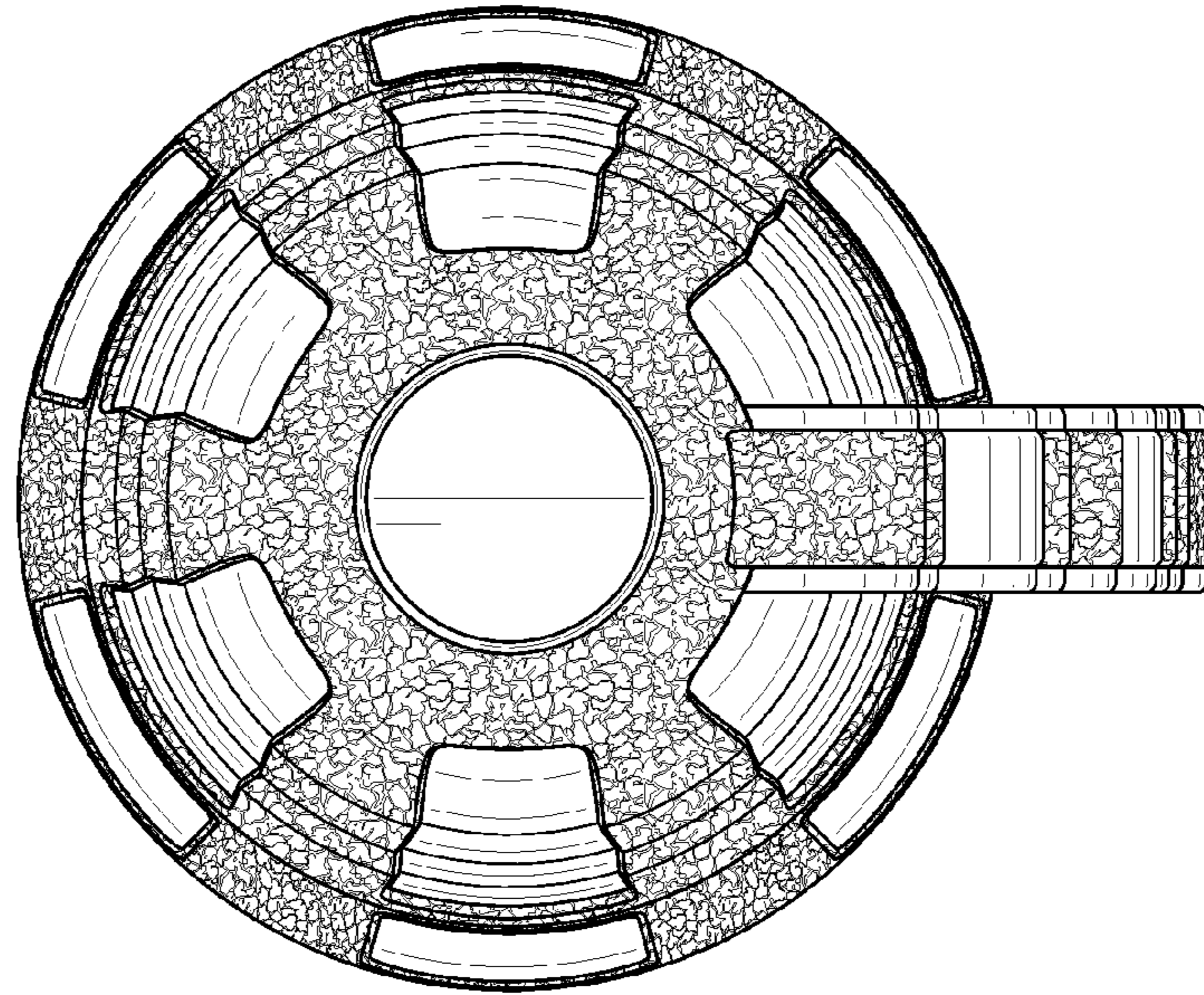


FIG. 16

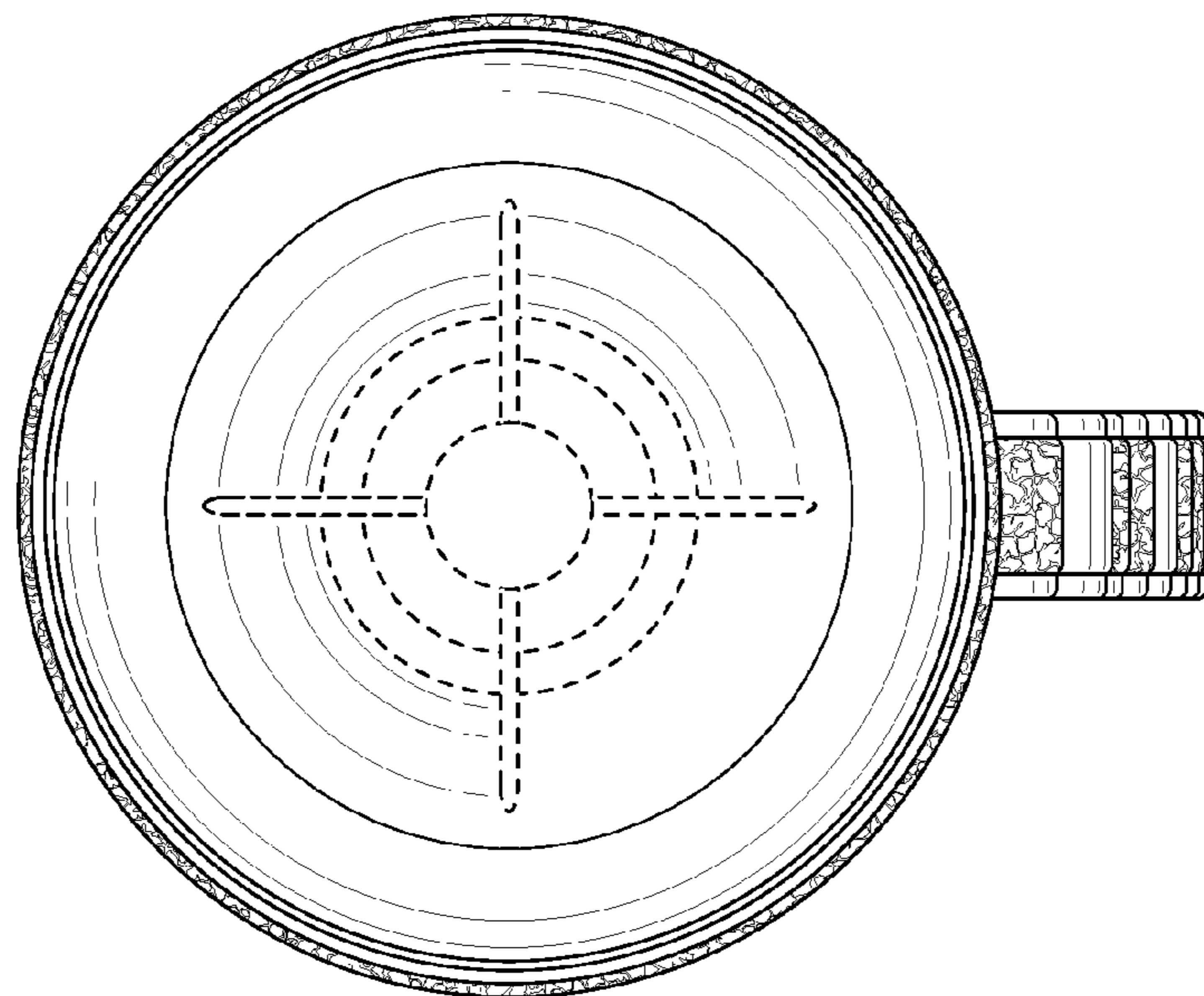


FIG. 17

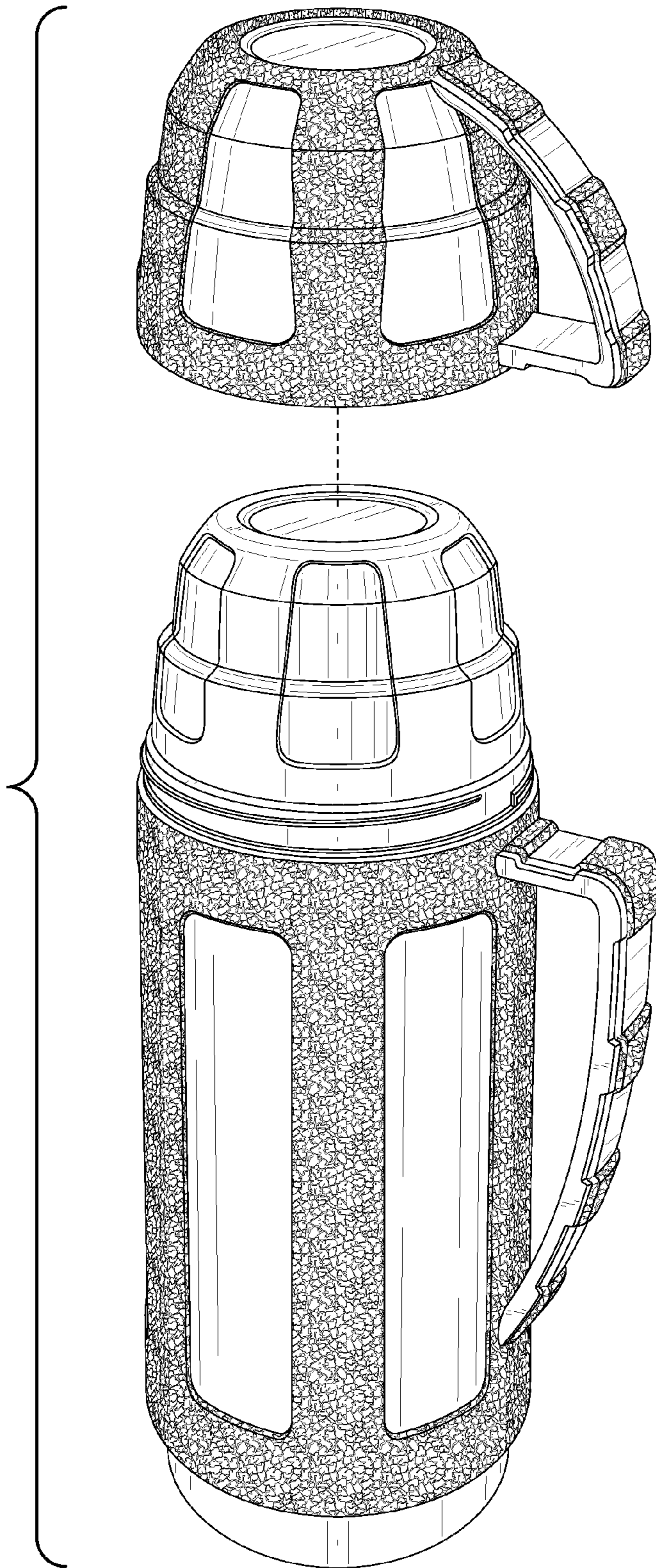


FIG. 18

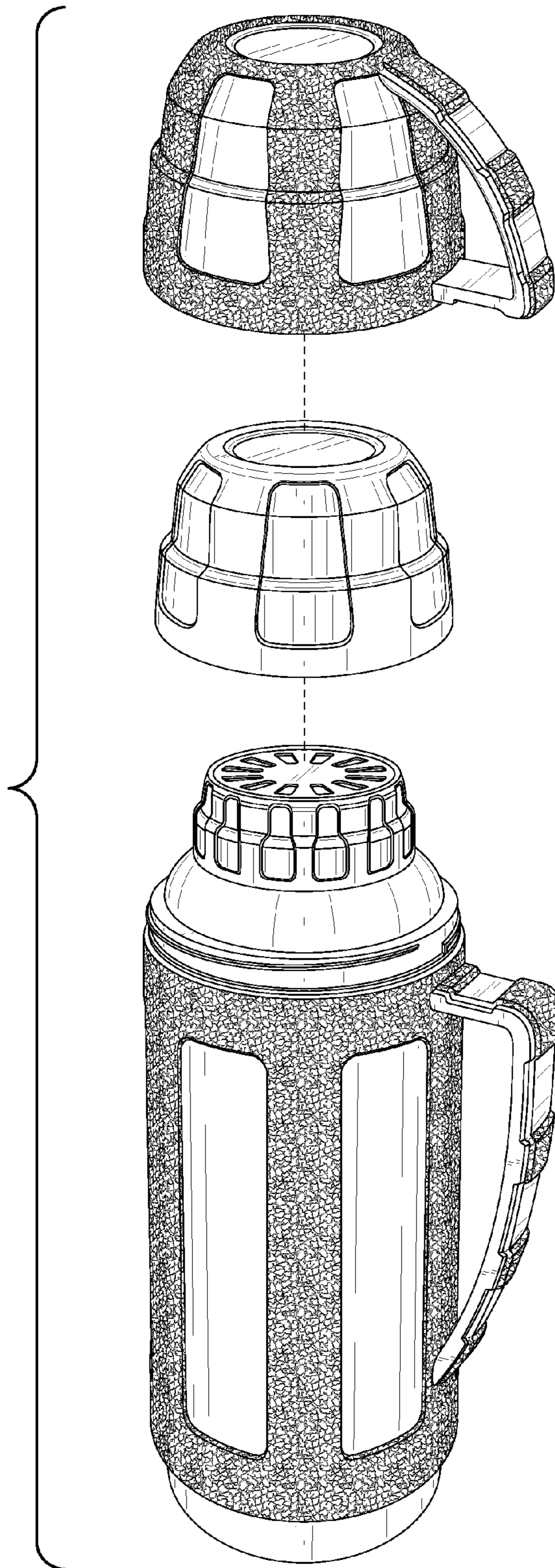


FIG. 19

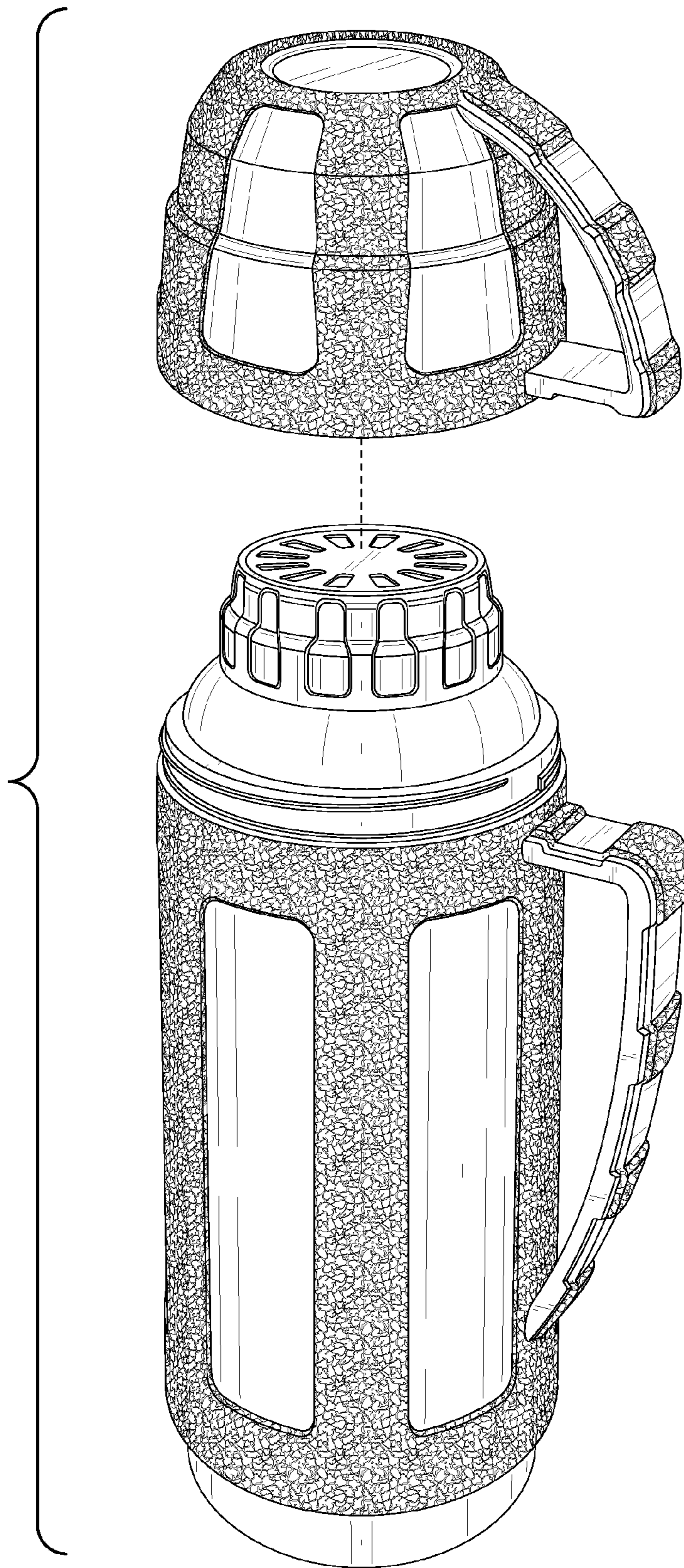


FIG. 20