



US00D682037S

(12) **United States Design Patent**
Cloutier

(10) **Patent No.:** **US D682,037 S**

(45) **Date of Patent:** **** May 14, 2013**

(54) **MESH SERVING TRAY**

(75) Inventor: **Andre Dean Cloutier**, Blaine, WA (US)

(73) Assignee: **Magellan Group Ltd.**, Blaine, WA (US)

(**) Term: **14 Years**

(21) Appl. No.: **29/424,130**

(22) Filed: **Jun. 7, 2012**

(51) **LOC (9) Cl.** **07-01**

(52) **U.S. Cl.**
USPC **D7/554.2**

(58) **Field of Classification Search** D7/532,
D7/546-547, 553.1, 553.8, 551.1, 557, 552.2,
D7/554.2; D9/337, 425, 428, 429; 206/588,
206/515, 557; 426/106, 112, 132; 220/238,
220/506, 23.83, 74

See application file for complete search history.

(56) **References Cited**

U.S. PATENT DOCUMENTS

2,795,942	A *	6/1957	Harris	220/574
3,734,062	A *	5/1973	O'Hara	119/61.54
D286,250	S *	10/1986	Prescott	D7/557
D304,658	S *	11/1989	Mattei	D7/505
D370,314	S *	5/1996	Pearson-Falcon	D30/130
5,869,120	A *	2/1999	Blazevich	426/132
D418,018	S *	12/1999	Winsted	D7/553.8
D423,292	S *	4/2000	Horvat	D7/584
6,168,813	B1 *	1/2001	Blazevich	426/132
D453,308	S *	2/2002	McCauley	D11/152
D460,897	S *	7/2002	Leuenberger	D7/553.8
6,550,630	B1 *	4/2003	Krupa	220/575
D486,991	S *	2/2004	Lee	D7/357
D489,972	S *	5/2004	Lin	D7/553.6
D490,268	S *	5/2004	Groll	D7/354
D511,273	S *	11/2005	Hadeler	D7/553.6
D522,807	S *	6/2006	Dow et al.	D7/409
D527,224	S *	8/2006	Roth et al.	D7/540
D527,954	S *	9/2006	Roth	D7/557
7,213,535	B2 *	5/2007	Schmidt et al.	119/161

D561,539	S *	2/2008	Snider et al.	D7/600.2
D582,101	S *	12/2008	Shamoon	D30/129
D587,529	S *	3/2009	Pratt	D7/555
D592,017	S *	5/2009	Bizzell	D7/629
D601,310	S *	9/2009	Greenan	D30/129
D611,300	S *	3/2010	Chen et al.	D7/409
D639,601	S *	6/2011	Borovicka et al.	D7/354
D655,158	S *	3/2012	Drozek et al.	D9/435
D657,612	S *	4/2012	Cloutier et al.	D7/354
2002/0195001	A1 *	12/2002	Hester	99/345
2005/0218144	A1 *	10/2005	Price	220/574
2006/0057267	A1 *	3/2006	Dow et al.	426/524

* cited by examiner

Primary Examiner — Kelley Donnelly

(74) *Attorney, Agent, or Firm* — Dwayne E. Rogge; Schacht Law Office, Inc.

(57) **CLAIM**

The ornamental design for a mesh serving tray, as shown and described.

DESCRIPTION

FIG. 1 is a top isometric view of the mesh serving tray thereof.

FIG. 2 is a top view thereof.

FIG. 3 is a side elevation view with the opposing side view being a mirror image thereof.

FIG. 4 is a front elevation view with the opposing rear view being a mirror image thereof.

FIG. 5 is a bottom view thereof.

FIG. 6 is a bottom isometric view thereof.

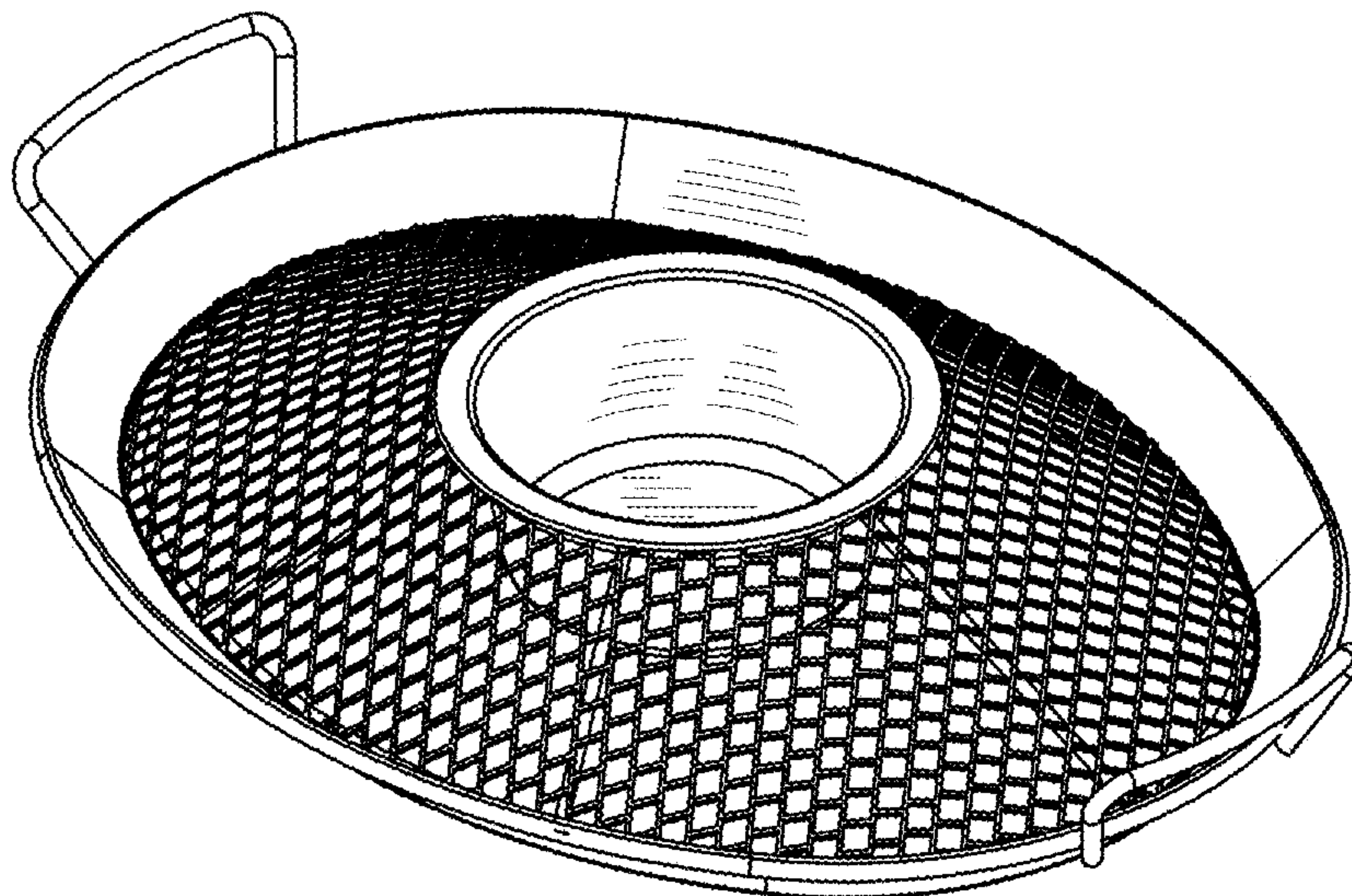
FIG. 7 is a top isometric view thereof with a cup portion removed for clarity of illustration.

FIG. 8 is a top plan view thereof with a cup portion removed for clarity of illustration.

FIG. 9 is a sectional view taken along line 9-9 of FIG. 8; and, FIG. 10 is a bottom isometric view thereof with a cup portion removed for clarity of illustration.

Any broken lines shown in the drawings are for illustrative purposes only and form no part of the claimed design.

1 Claim, 10 Drawing Sheets



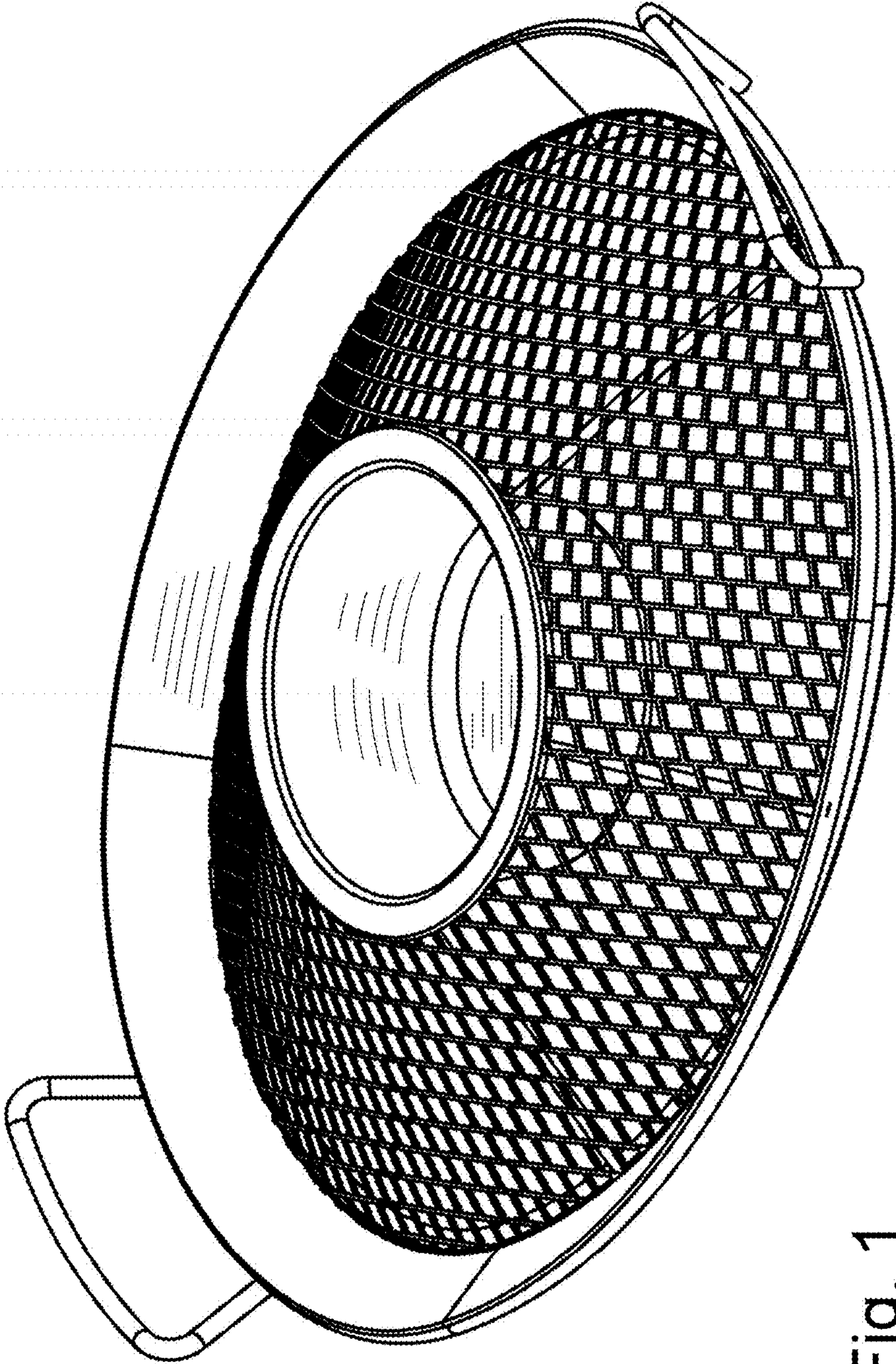


Fig. 1

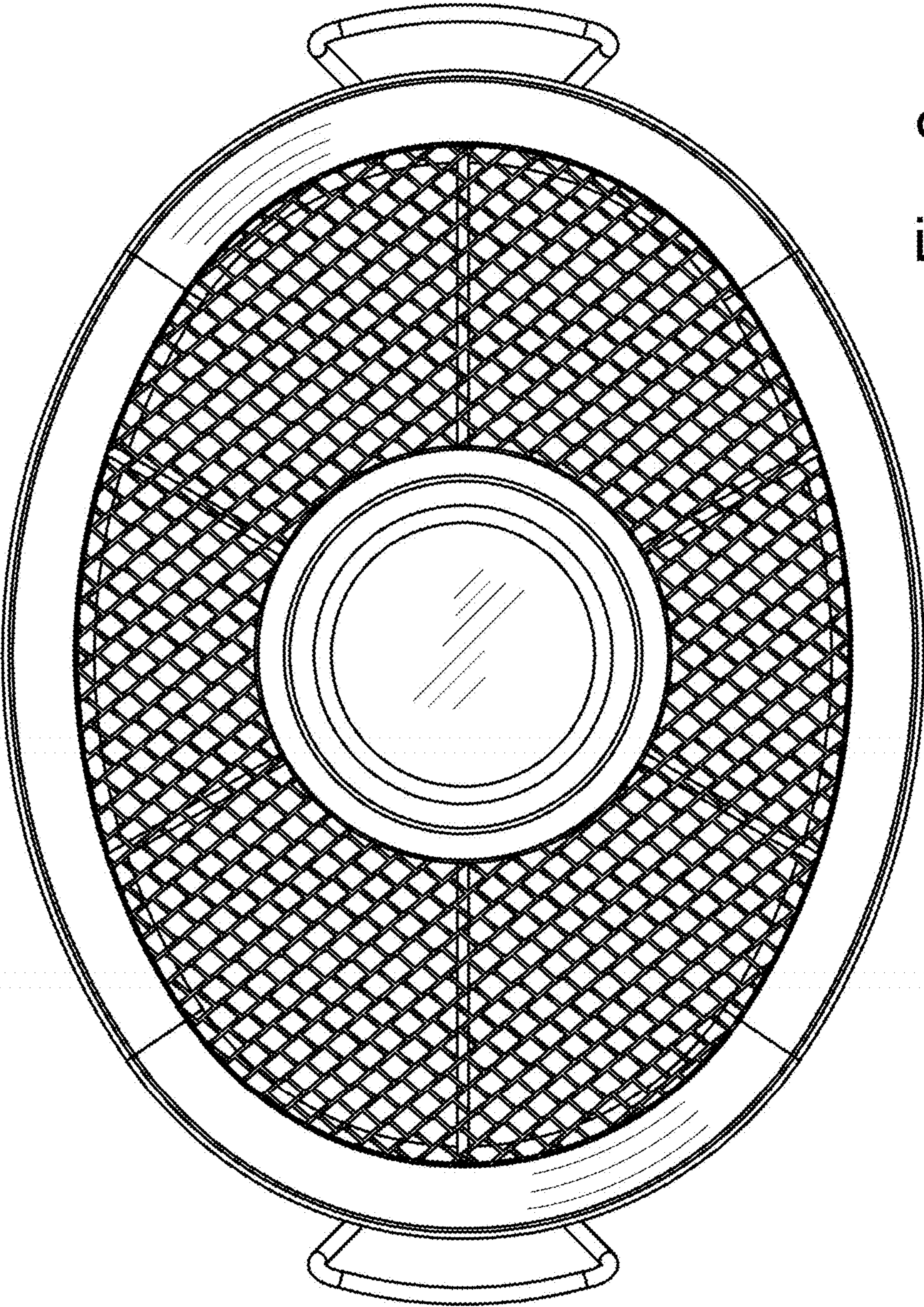


Fig. 2

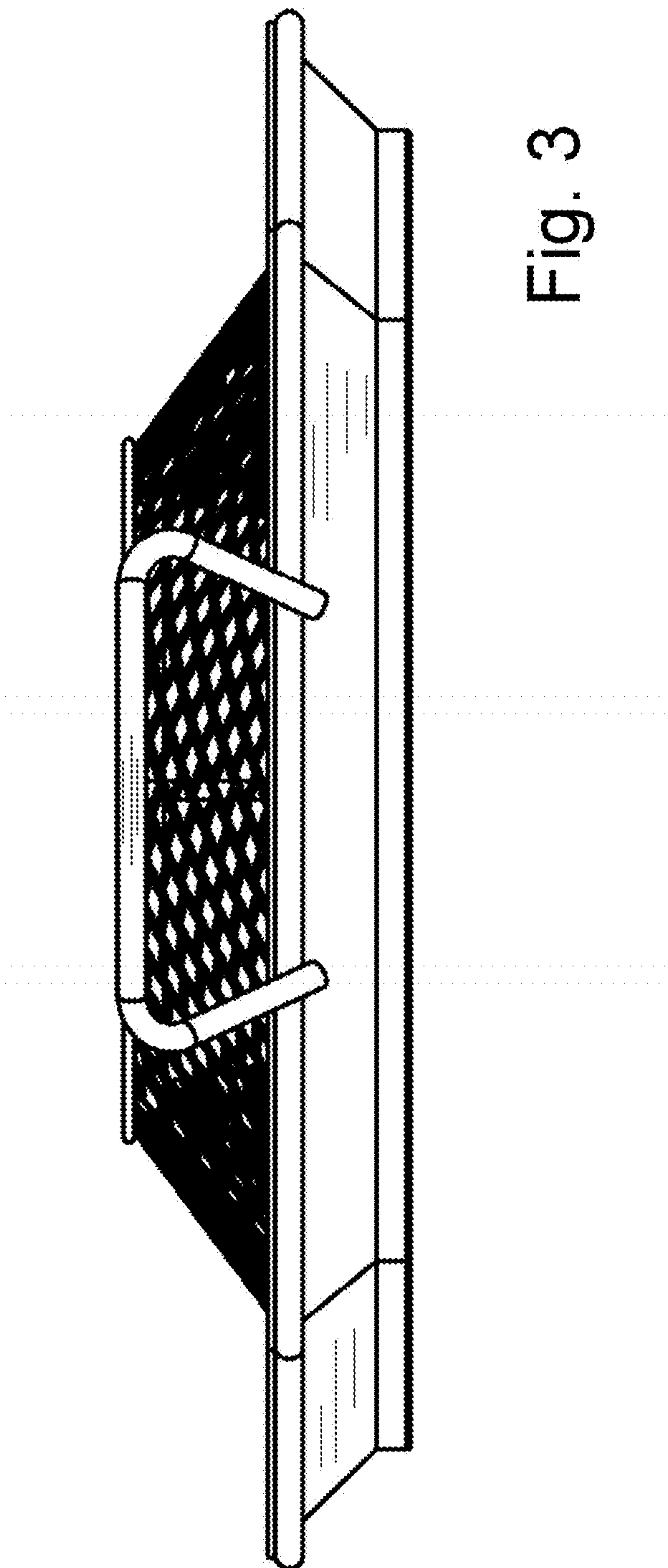


Fig. 3

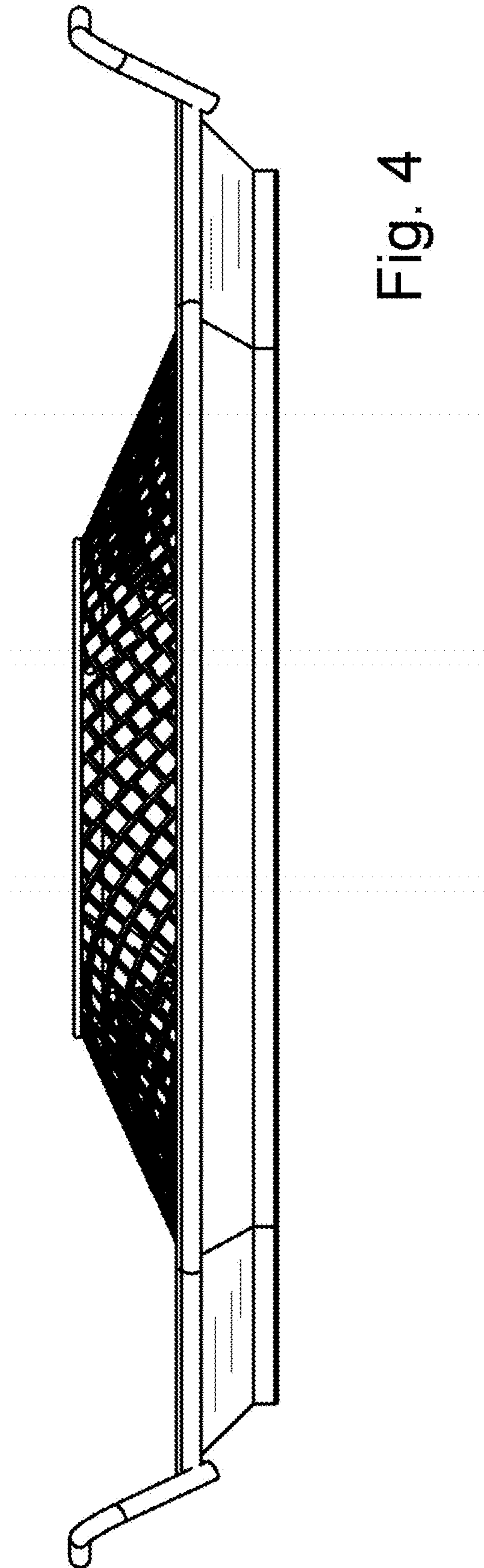


Fig. 4

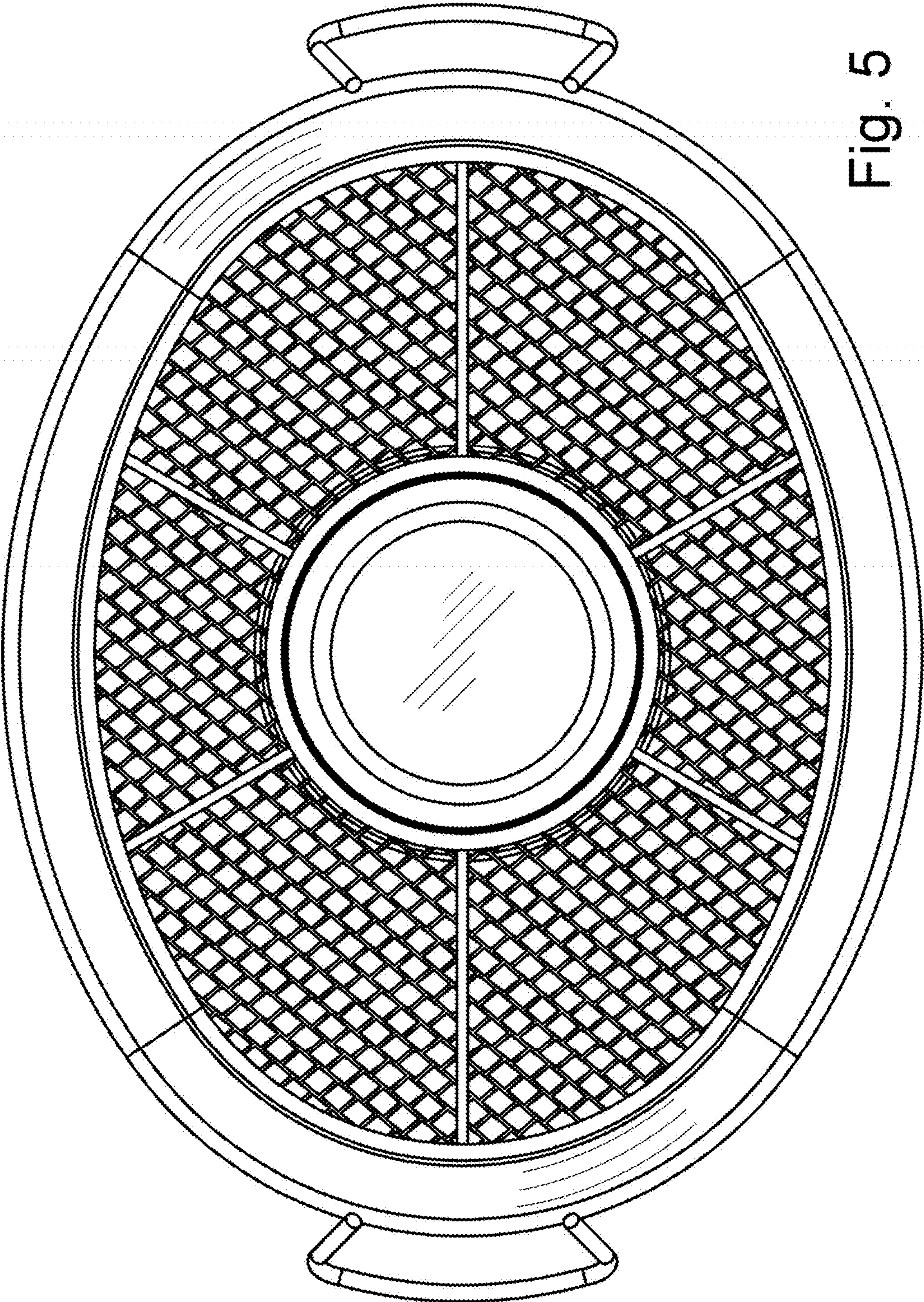


Fig. 5

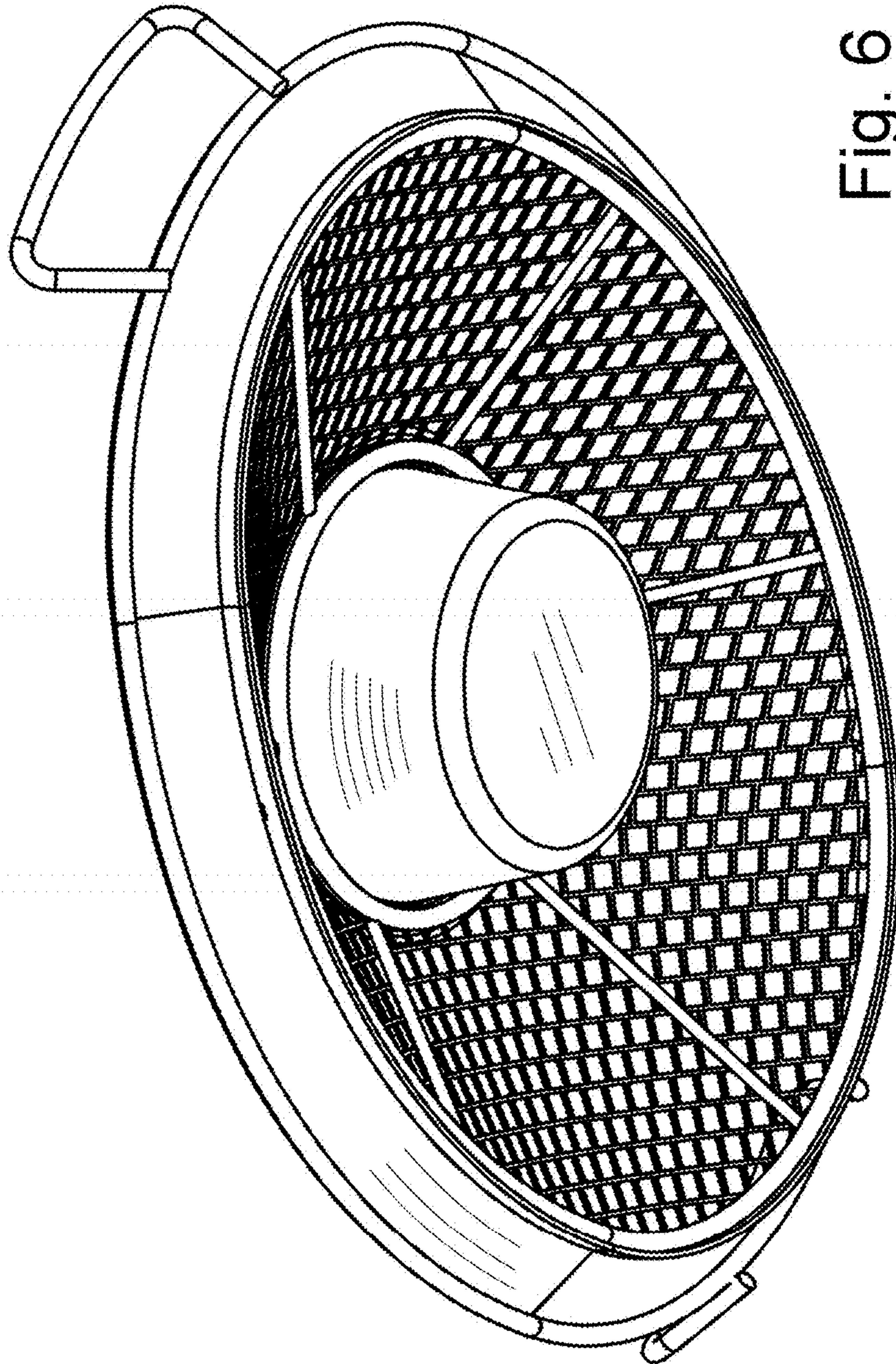


Fig. 6

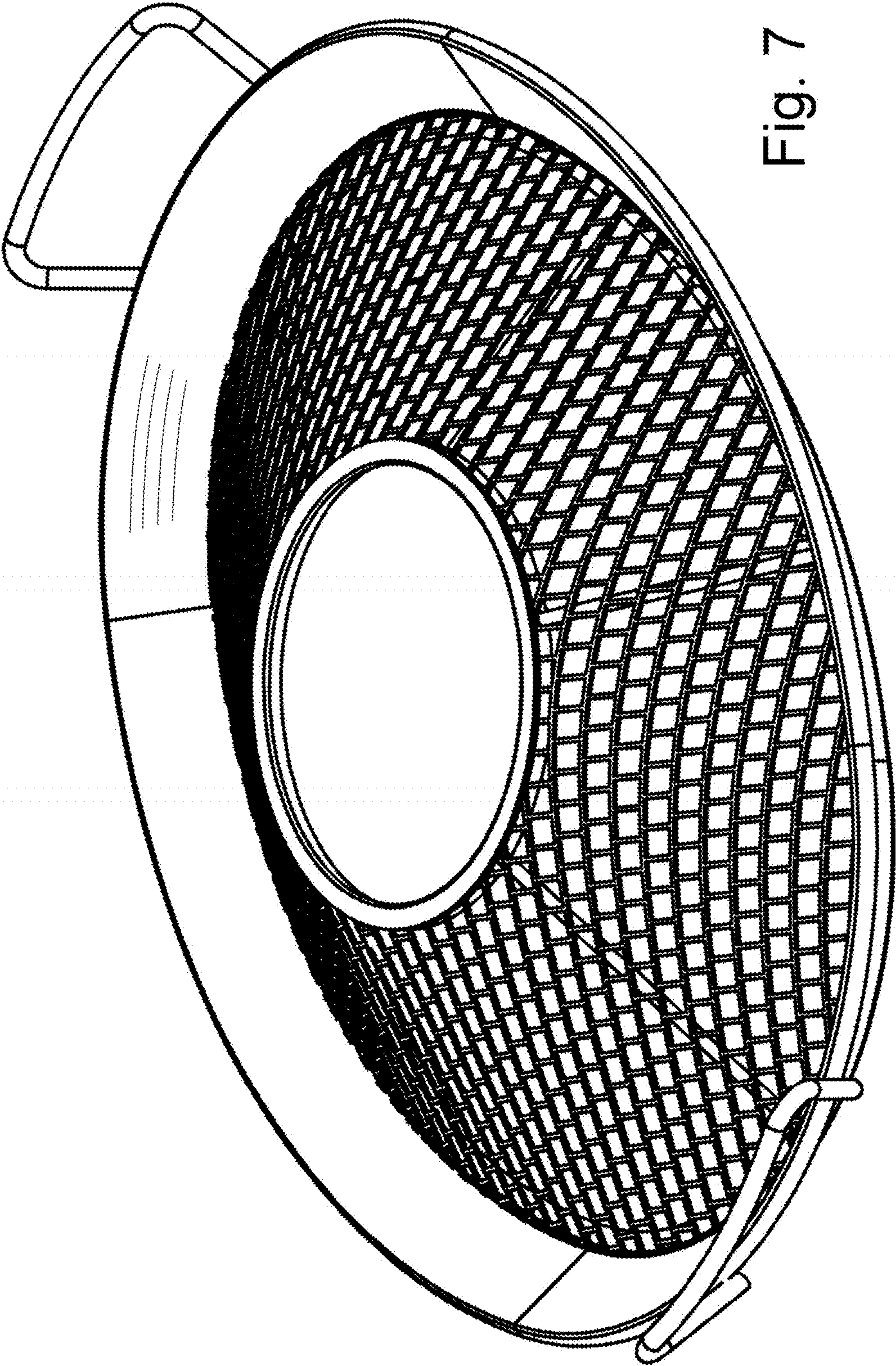


Fig. 7

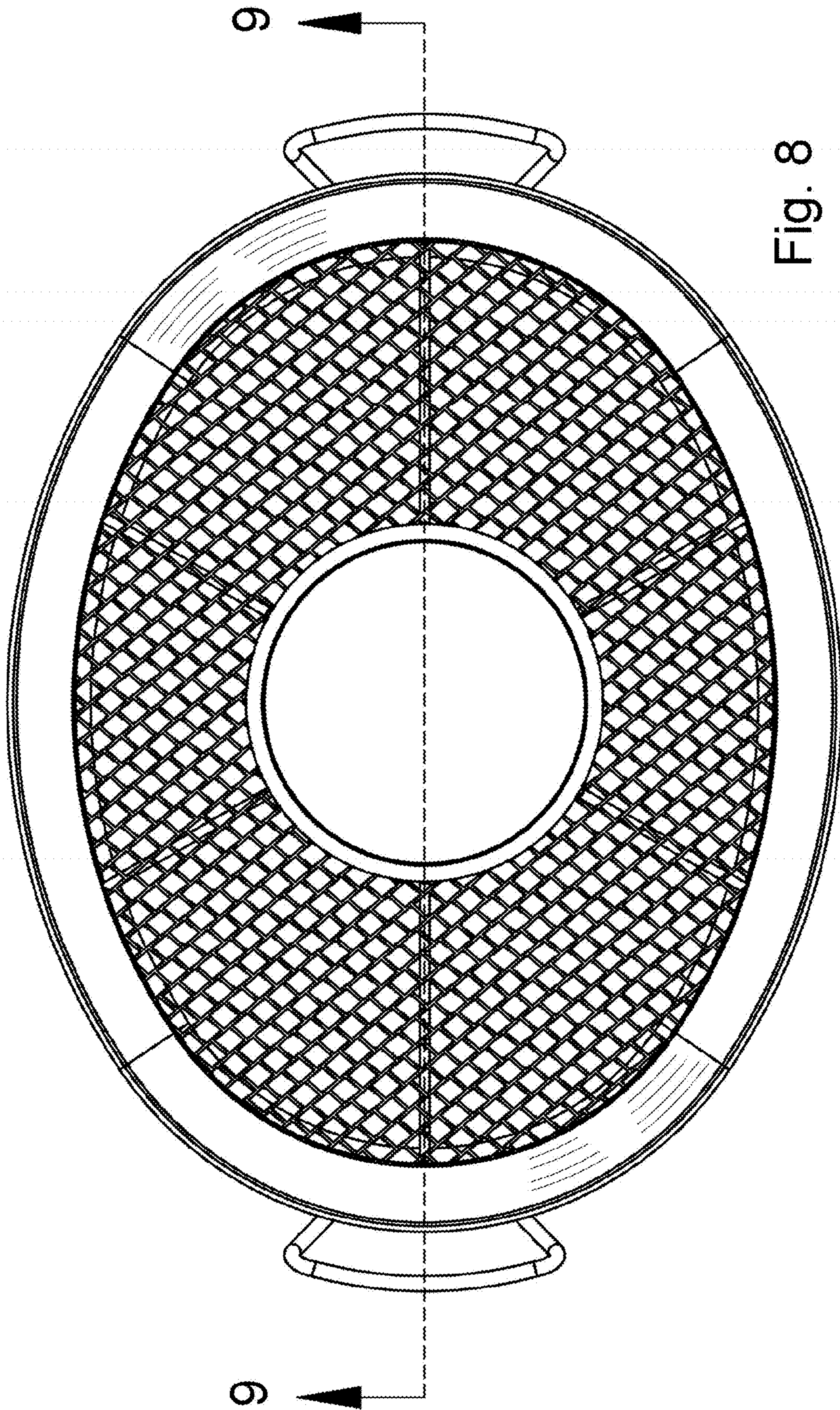


Fig. 8

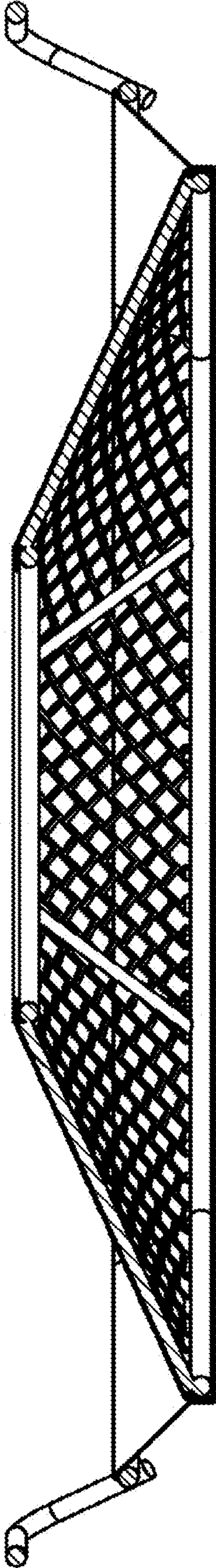


Fig. 9

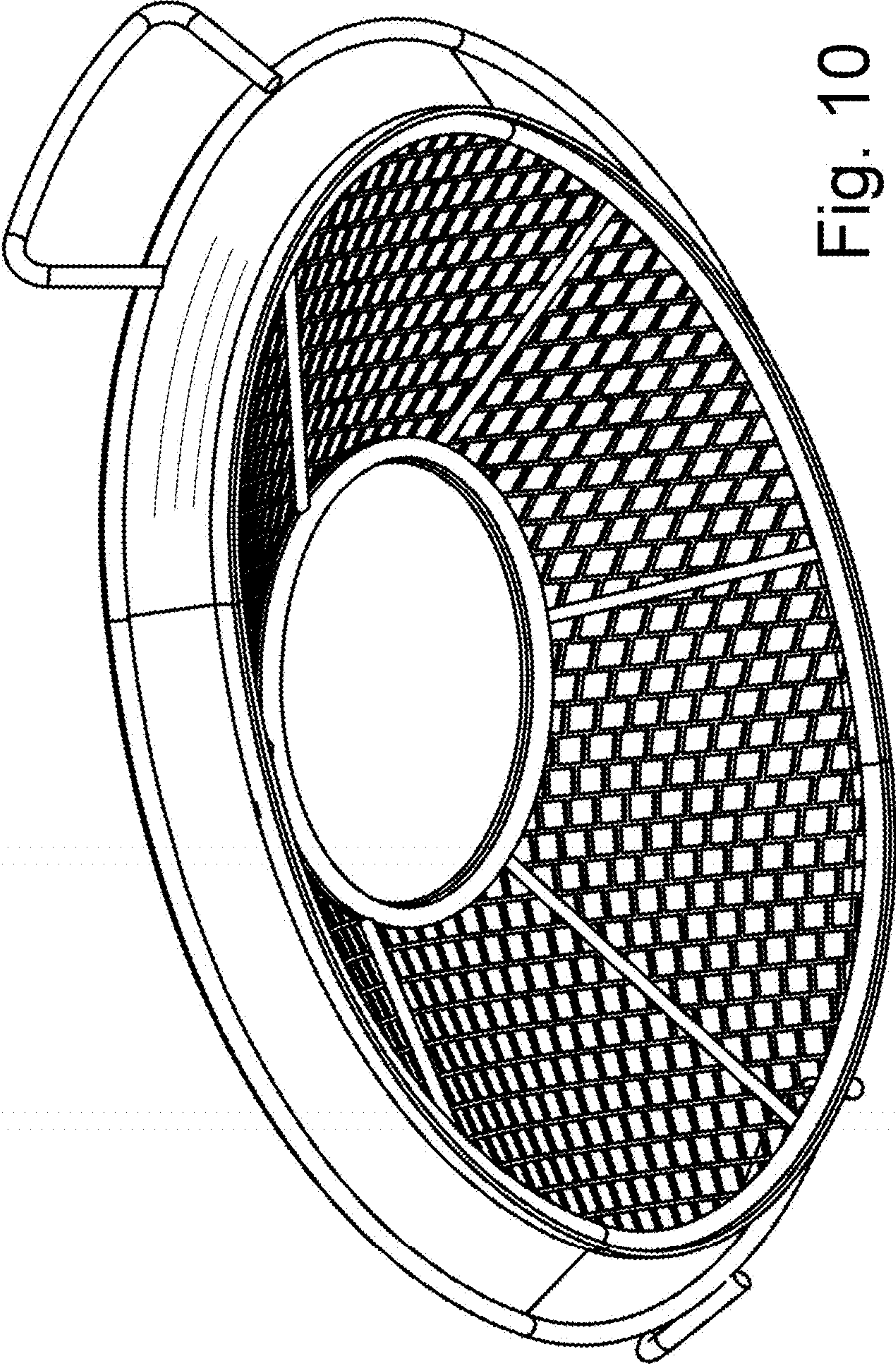


Fig. 10