



US00D682034S

(12) **United States Design Patent**  
**El-Saden et al.**

(10) **Patent No.:** **US D682,034 S**

(45) **Date of Patent:** **\*\* May 14, 2013**

(54) **DRINK BOTTLE**

*Primary Examiner* — Marianne Pandozzi

(74) *Attorney, Agent, or Firm* — Vedder Price P.C.

(75) Inventors: **Sami El-Saden**, Winnetka, IL (US);  
**Blair E. Miller**, Chicago, IL (US);  
**Daniel M. Wodka**, Chicago, IL (US);  
**John W. Phillips**, Huntington Beach, CA (US)

(57) **CLAIM**

The ornamental design for a drink bottle, as shown and described.

(73) Assignee: **Ignite USA, LLC**, Chicago, IL (US)

(\*\*) Term: **14 Years**

**DESCRIPTION**

(21) Appl. No.: **29/411,677**

(22) Filed: **Jan. 25, 2012**

(51) **LOC (9) Cl.** ..... **07-01**

(52) **U.S. Cl.**  
USPC ..... **D7/510; D7/511**

(58) **Field of Classification Search** ..... D7/507,  
D7/538, 532, 512, 510, 511, 607, 624.2;  
220/739, 738, 737, 8, 714, 705, 707, 212.5;  
215/DIG. 7, 389; 206/218; D9/504, 689,  
D9/443

See application file for complete search history.

FIG. 1 is a perspective view of a drink bottle showing a first embodiment our new design;  
FIG. 2 is a front view of the drink bottle of FIG. 1;  
FIG. 3 is a rear view of the drink bottle of FIG. 1;  
FIG. 4 is a first side view of the drink bottle of FIG. 1;  
FIG. 5 is a second side view of the drink bottle of FIG. 1;  
FIG. 6 is a bottom view of the drink bottle of FIG. 1;  
FIG. 7 is a top view of the drink bottle of FIG. 1;  
FIG. 8 is a perspective view of a drink bottle showing a second embodiment our new design, the only difference from the first embodiment being the contrasting texture;  
FIG. 9 is a perspective view of a drink bottle showing the first embodiment of our new design with the spout in alternate position;  
FIG. 10 is a front view of the drink bottle of FIG. 9;  
FIG. 11 is a rear view of the drink bottle of FIG. 9;  
FIG. 12 is a first side view of the drink bottle of FIG. 9;  
FIG. 13 is a second side view of the drink bottle of FIG. 9;  
FIG. 14 is a bottom view of the drink bottle of FIG. 9;  
FIG. 15 is a top view of the drink bottle of FIG. 9; and,  
FIG. 16 is a perspective view of a drink bottle showing the second embodiment our new design, as shown in FIG. 8, but with the spout in alternate position, the only difference from the first embodiment being the contrasting texture.

(56) **References Cited**

U.S. PATENT DOCUMENTS

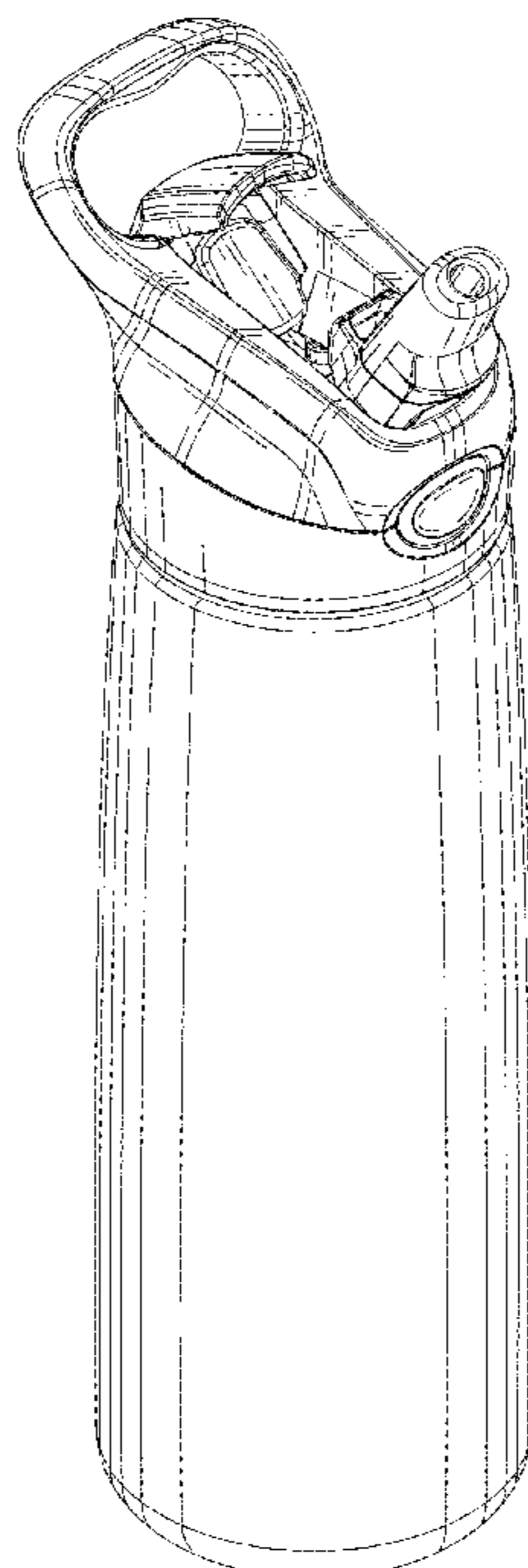
5,203,468 A 4/1993 Hsu  
5,427,271 A 6/1995 Wang  
6,116,458 A 9/2000 Dark  
6,279,773 B1 8/2001 Kiyota  
6,523,711 B1 2/2003 Hughes et al.

(Continued)

OTHER PUBLICATIONS

Photos of beverage container obtained from Starbucks Coffee, on or about Nov. 2011.

**1 Claim, 10 Drawing Sheets**



# US D682,034 S

Page 2

## U.S. PATENT DOCUMENTS

6,609,624	B2	8/2003	Goto et al.				
D533,061	S	12/2006	Li				
D547,607	S *	7/2007	Forsman .....	D7/396.2			
D592,913	S	5/2009	Pinelli et al.				
7,533,783	B2 *	5/2009	Choi et al. ....	220/714			
7,708,035	B2	5/2010	Windmiller				
7,766,057	B2	8/2010	Windmiller				
D626,838	S	11/2010	Meyers et al.				
D629,653	S *	12/2010	Gullickson et al. ....	D7/510			
D634,161	S	3/2011	Roth et al.				
D652,256	S *	1/2012	Eyal .....	D7/510			
D653,081	S *	1/2012	George .....	D7/510			
D660,487	S *	5/2012	Wu .....	D26/38			
8,191,727	B2 *	6/2012	Davies et al. ....	220/707			
D669,732	S *	10/2012	Hopkins et al. ....	D7/392.1			
D670,134	S *	11/2012	Di Lollo .....	D7/507			
D672,609	S *	12/2012	Aziz et al. ....	D7/510			
2004/0069783	A1	4/2004	Chen				
2007/0039959	A1	2/2007	Choi et al.				
2008/0237233	A1 *	10/2008	Choi et al. ....	220/212.5			
2008/0272134	A1	11/2008	Rohe				
2010/0181329	A1	7/2010	Davies et al.				

\* cited by examiner

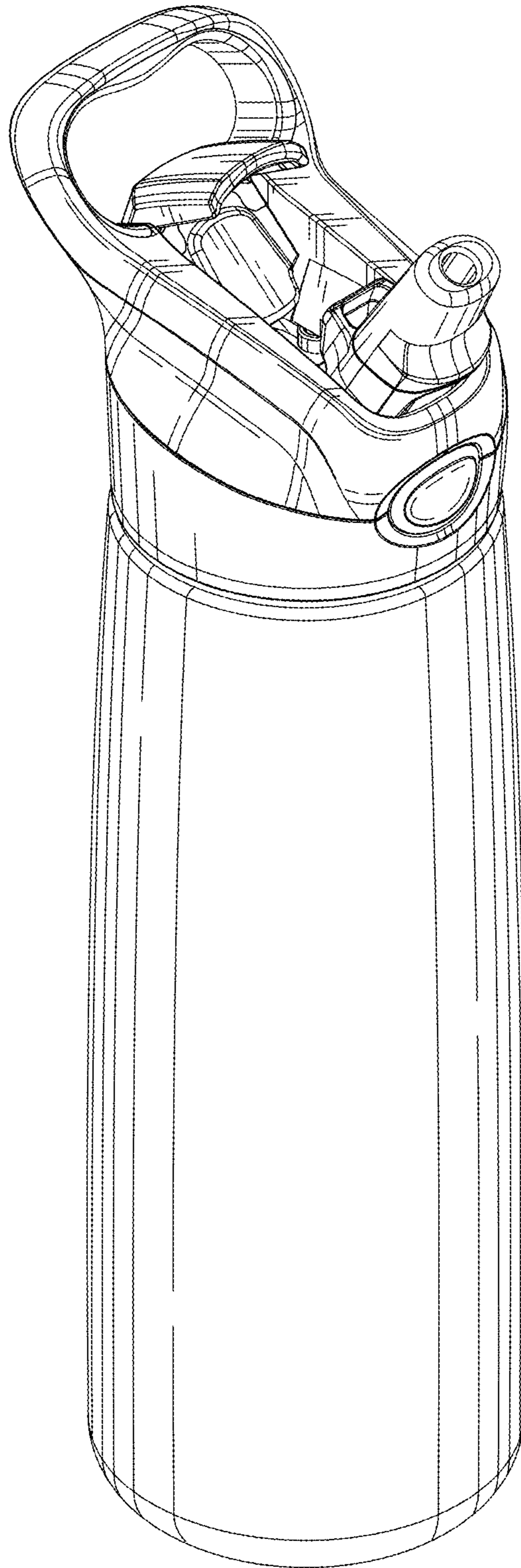


FIG. 1

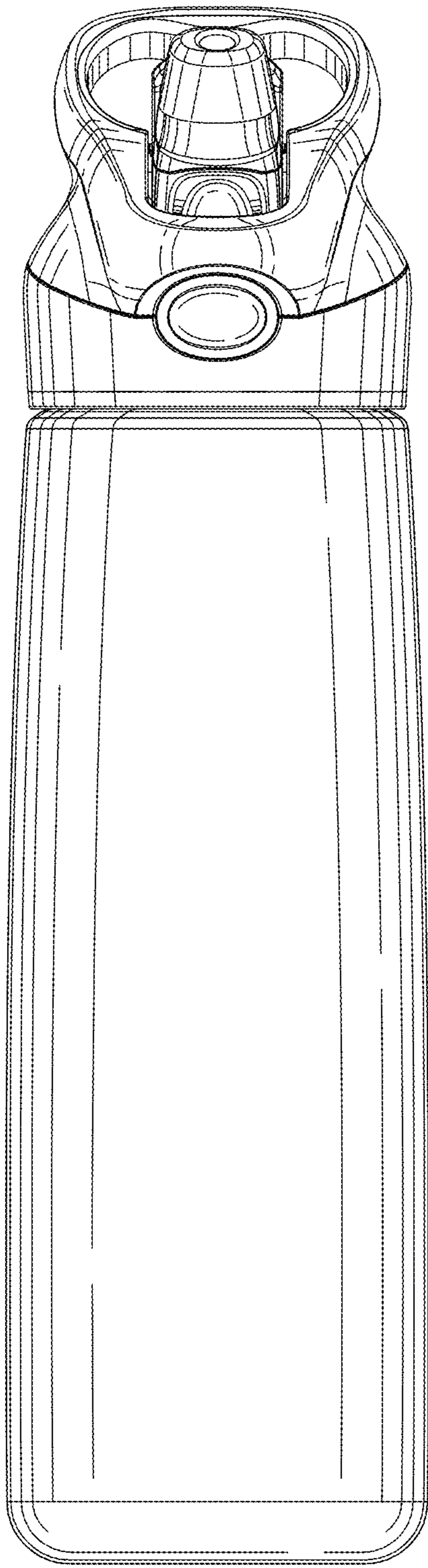


FIG. 2

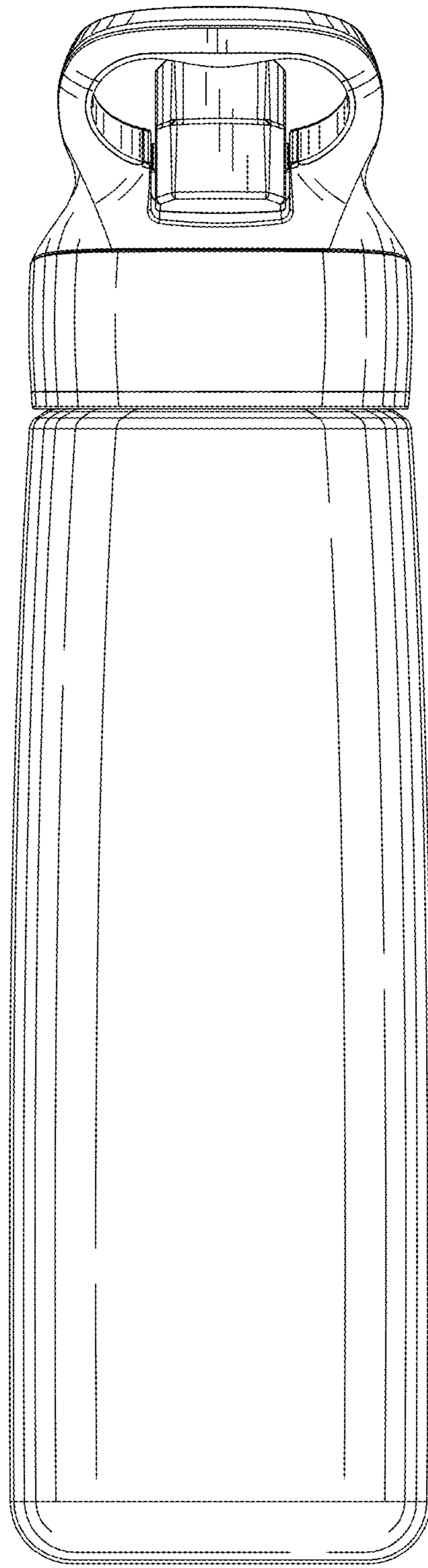


FIG. 3



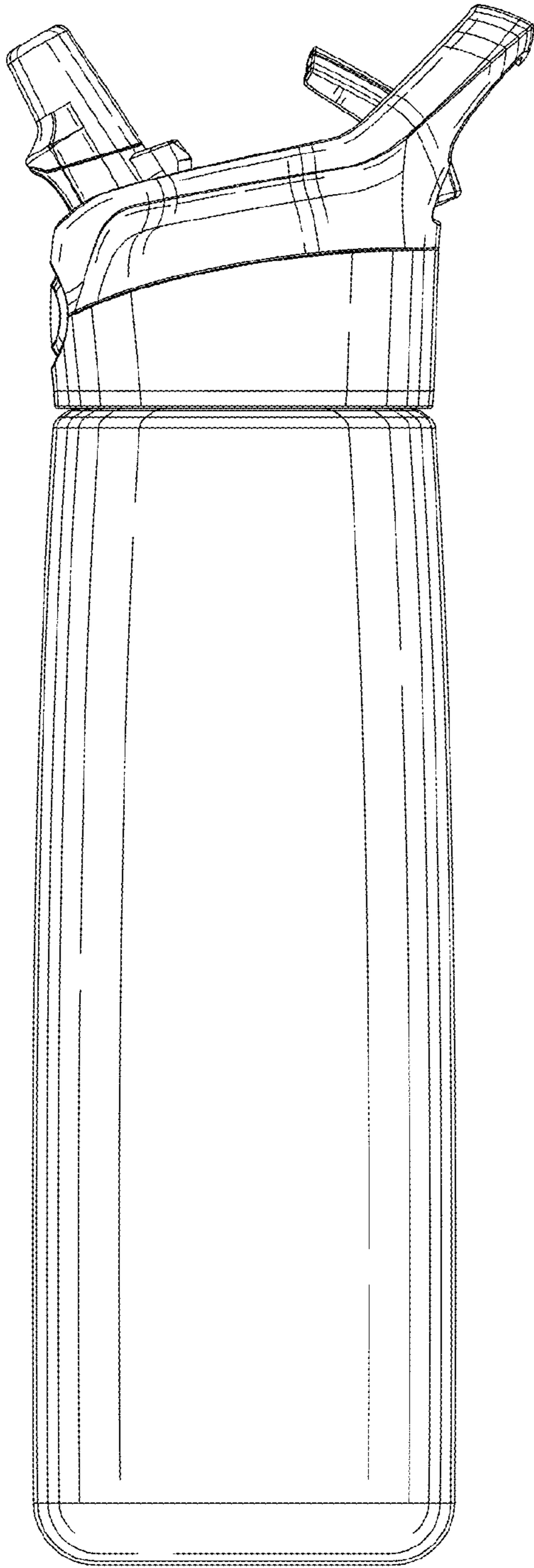


FIG. 4

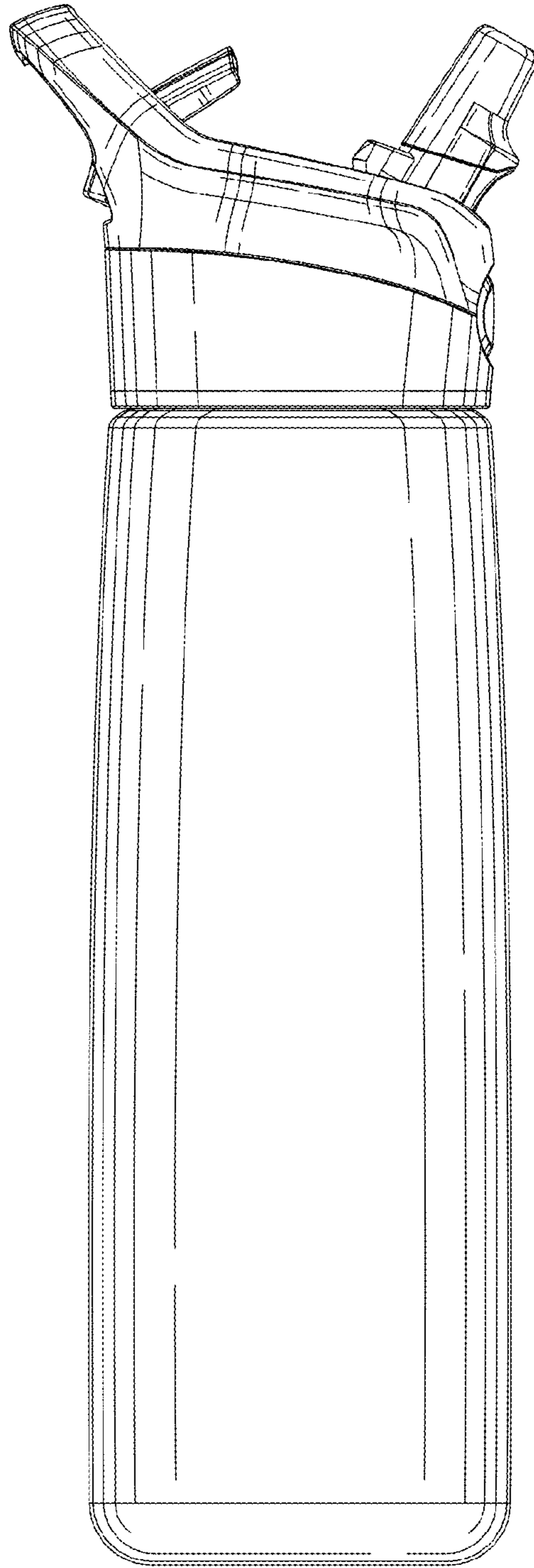


FIG. 5

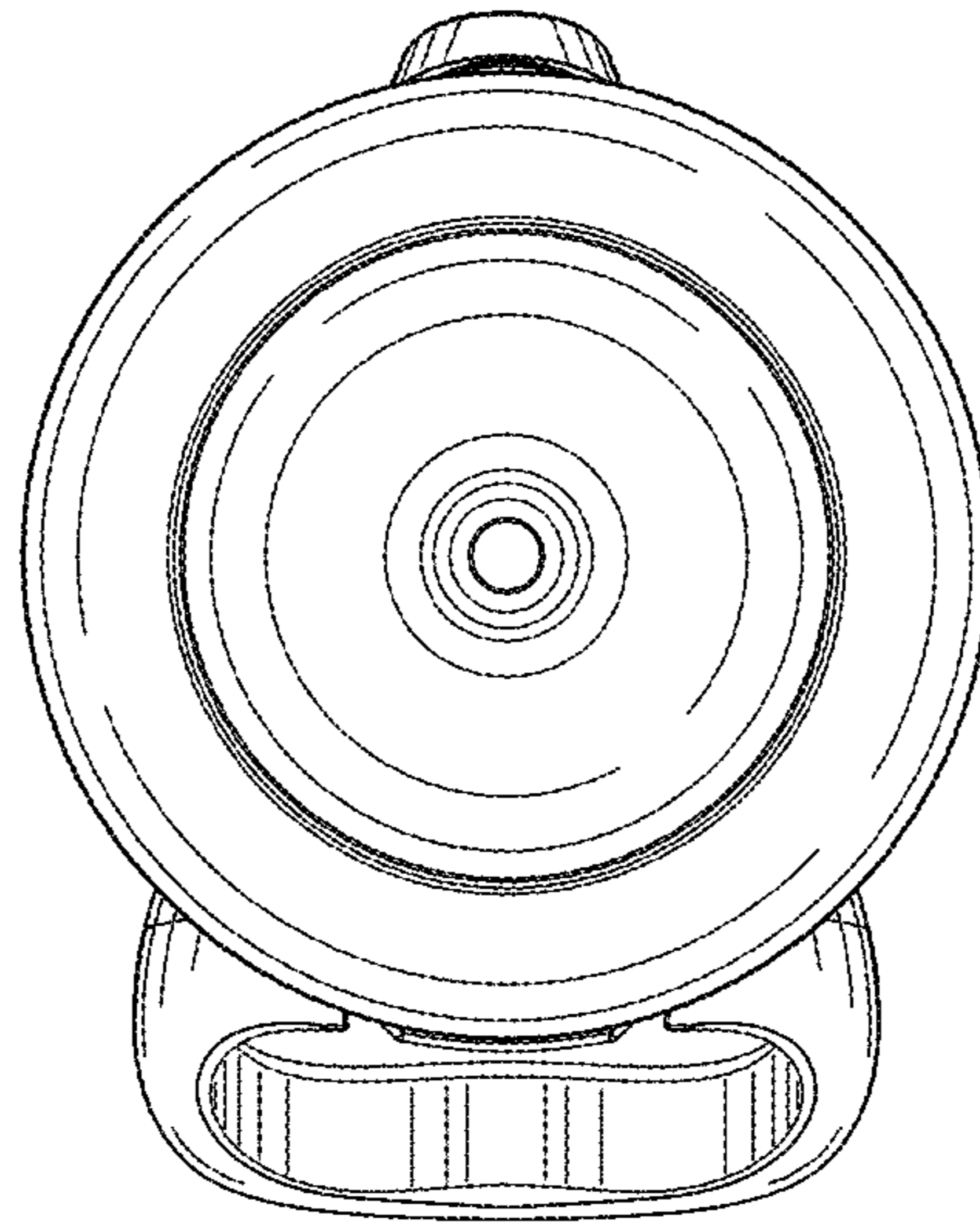


FIG. 6

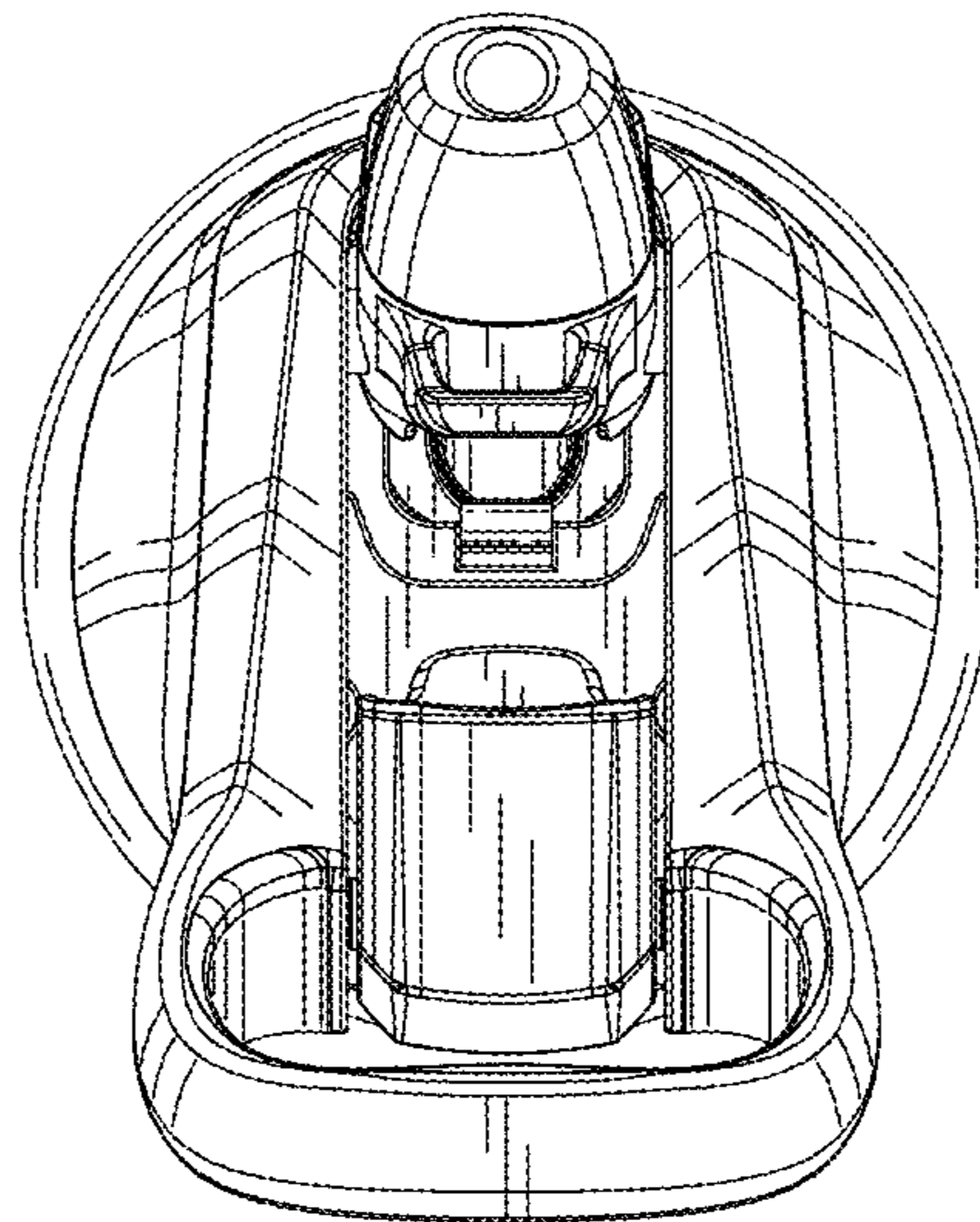


FIG. 7

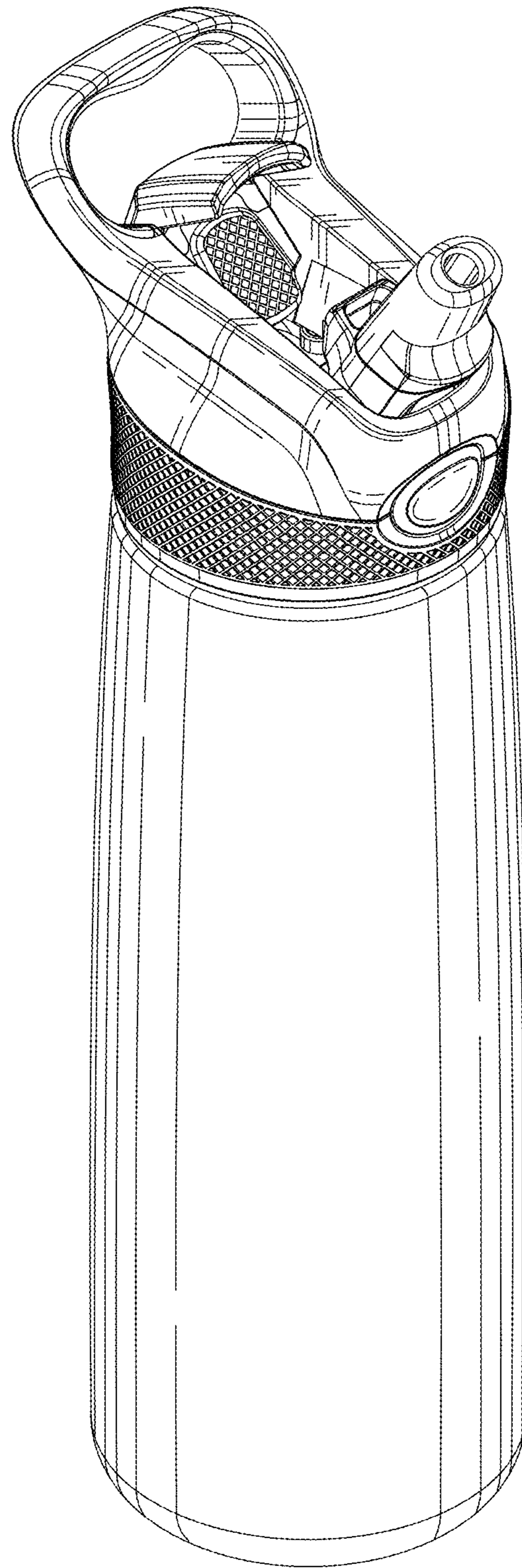


FIG. 8

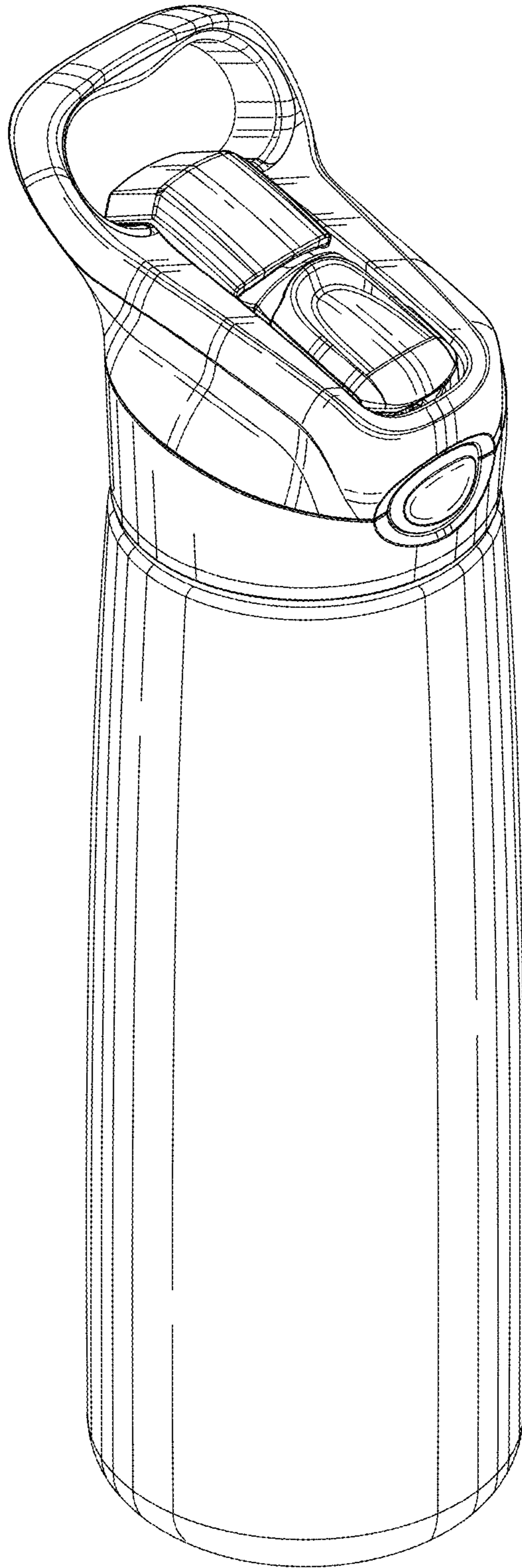


FIG. 9



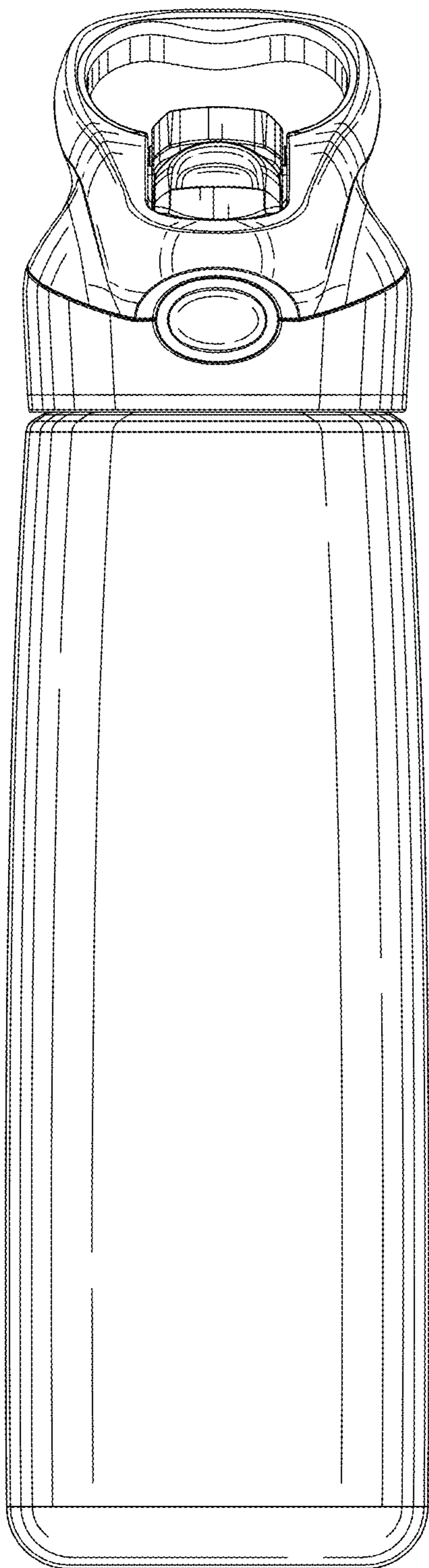


FIG. 10

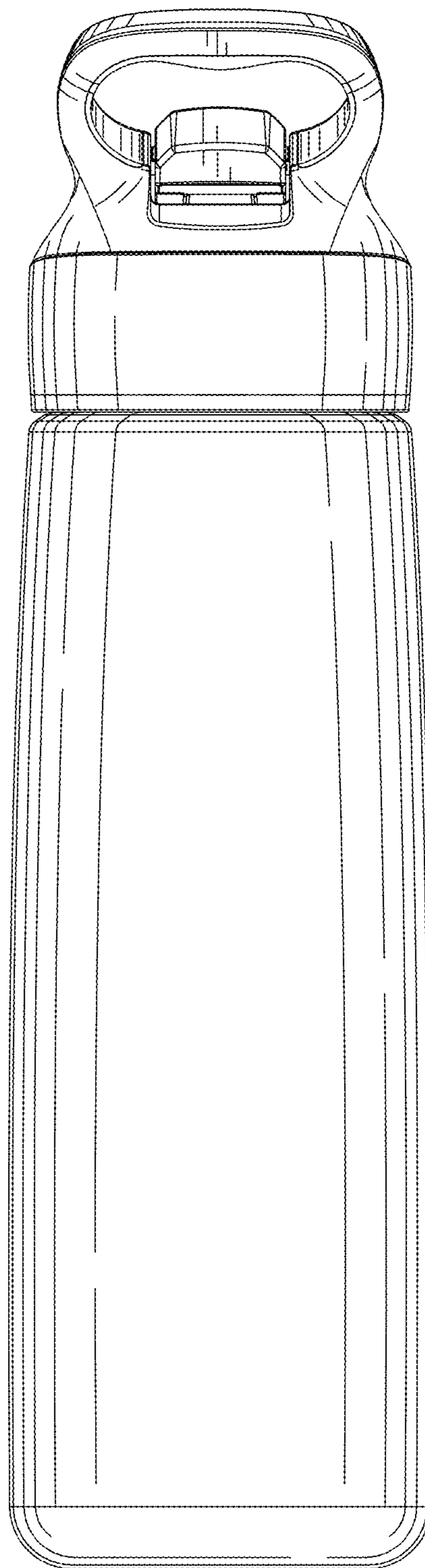


FIG. 11

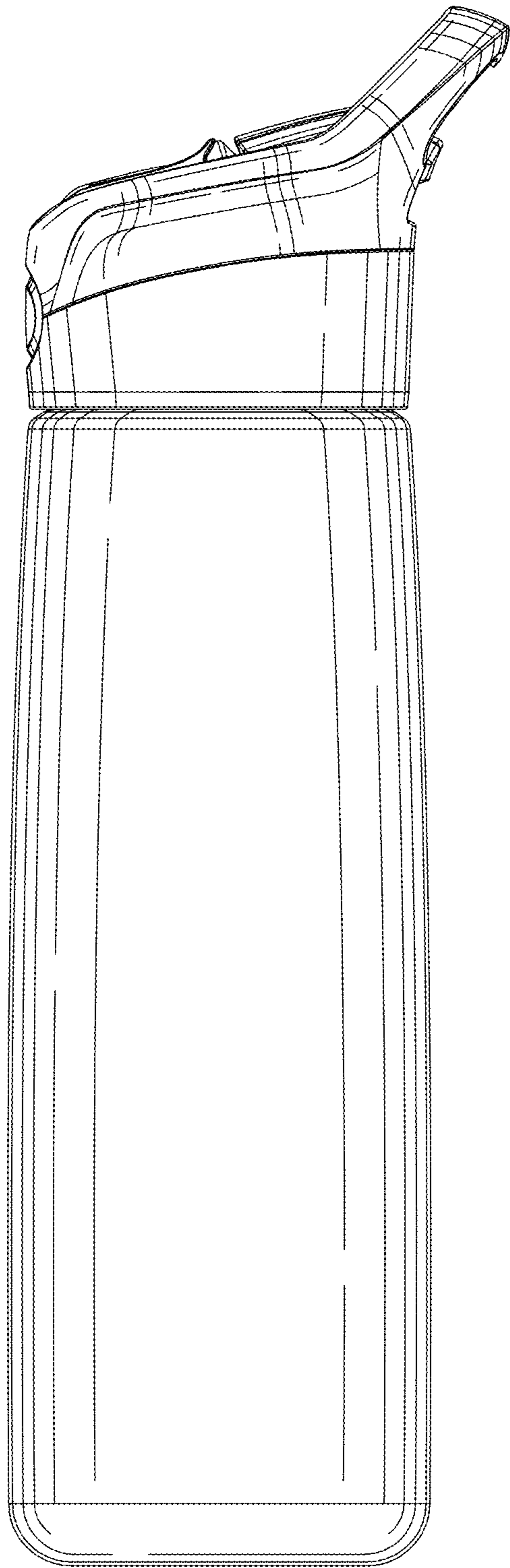


FIG. 12

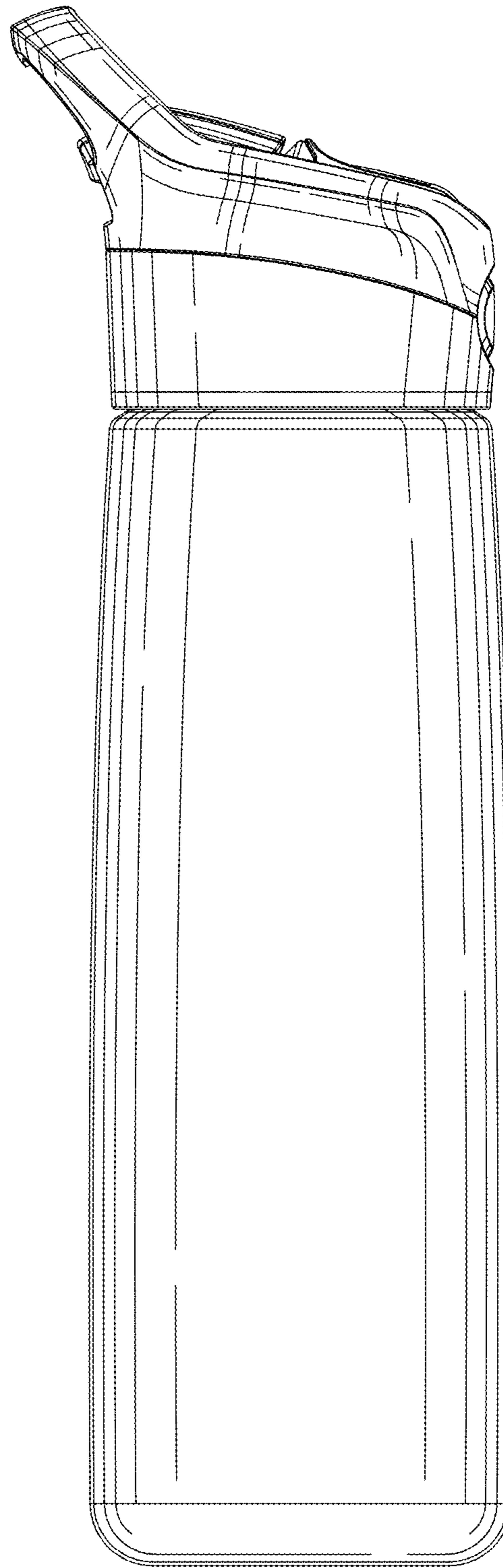


FIG. 13

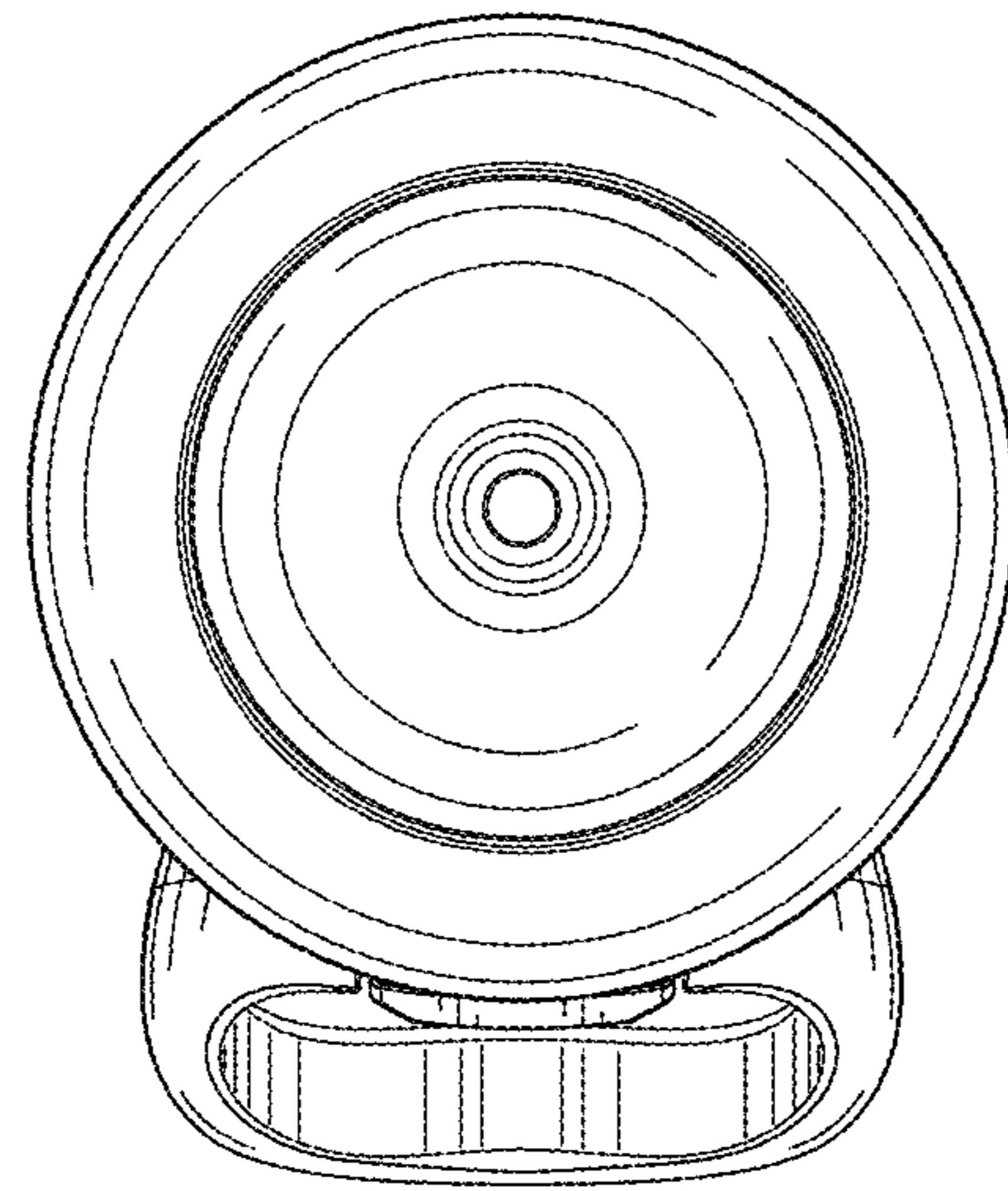


FIG. 14

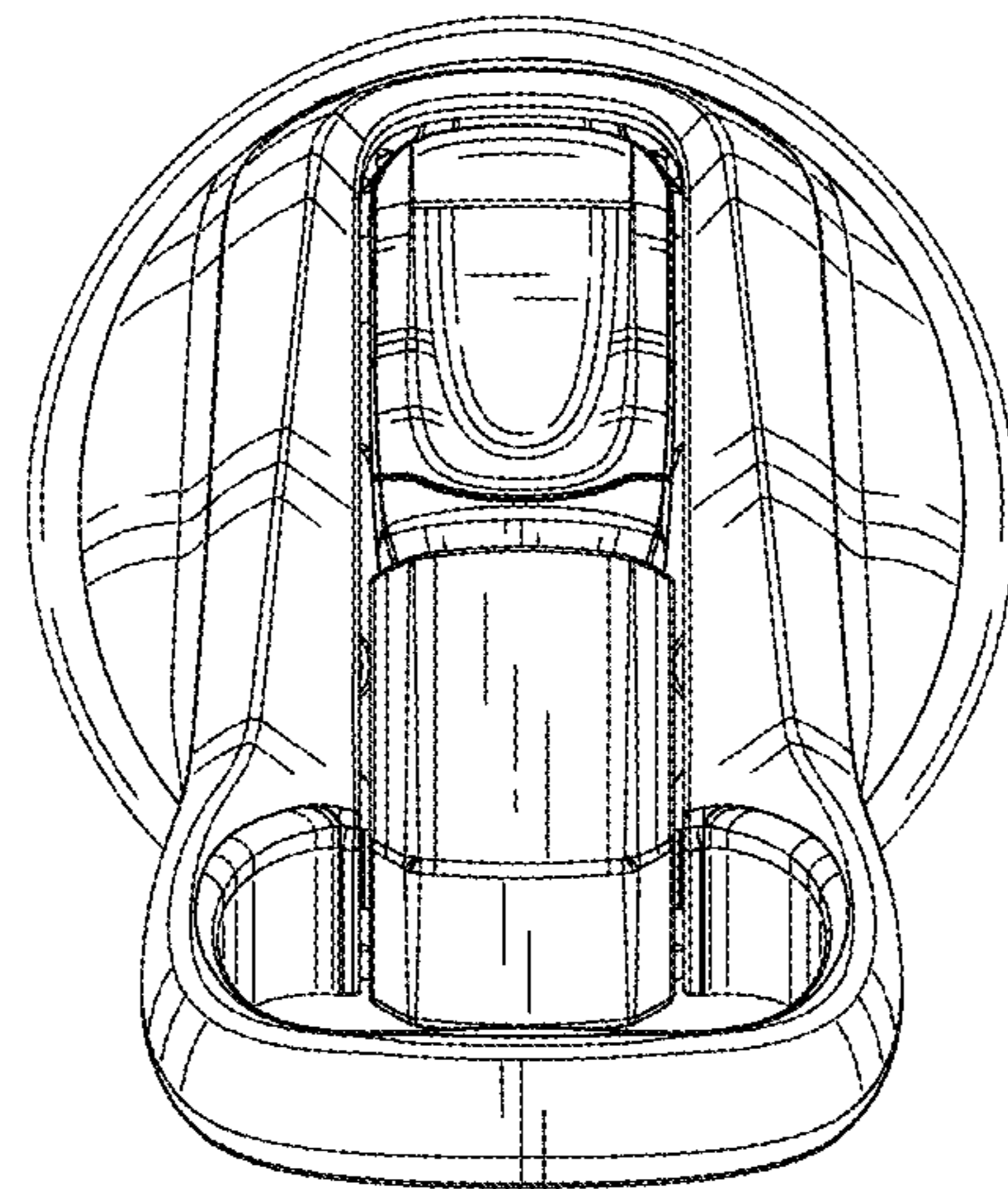


FIG. 15

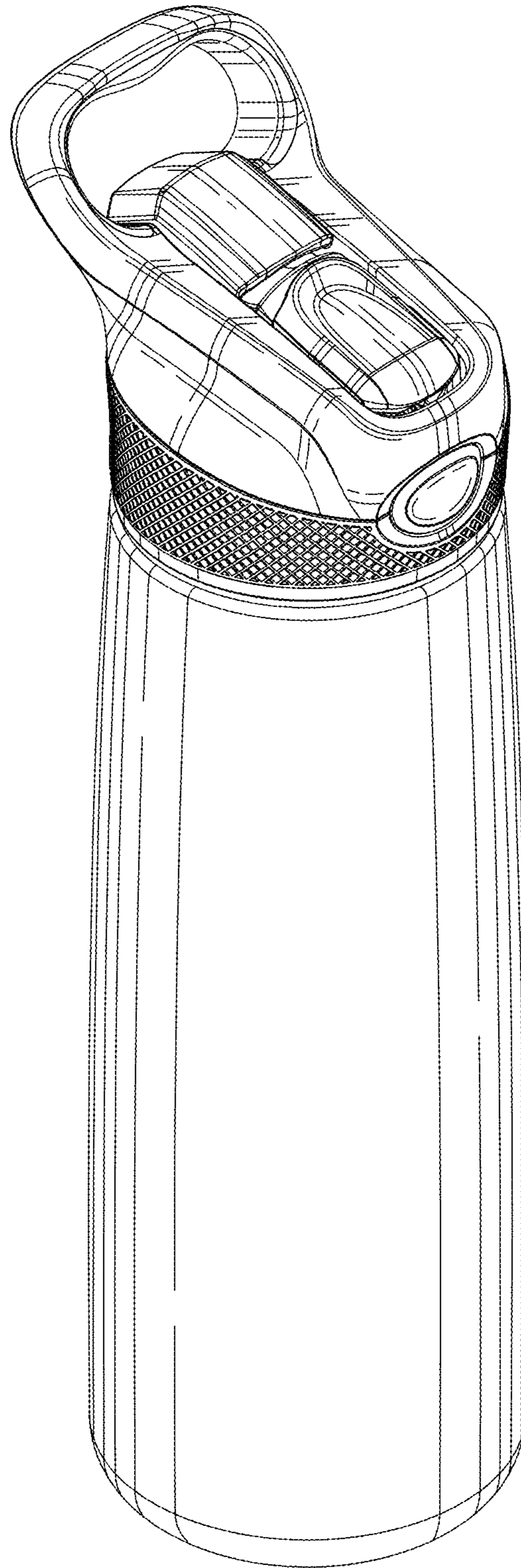


FIG. 16