

US00D682033S

(12) **United States Design Patent**
Dunn et al.

(10) **Patent No.:** **US D682,033 S**

(45) **Date of Patent:** **** May 14, 2013**

(54) **CONTAINER**

(71) Applicant: **Munchkin Inc.**, North Hills, CA (US)

(72) Inventors: **Steven B. Dunn**, Beverly Hills, CA (US); **Mark A. Hatherill**, Beverly Hills, CA (US); **Rodolfo Gastelum**, San Pedro, CA (US); **Won Song**, Seoul (KR)

(73) Assignee: **Munchkin, Inc.**, North Hills, CA (US)

(**) Term: **14 Years**

(21) Appl. No.: **29/443,068**

(22) Filed: **Jan. 11, 2013**

Related U.S. Application Data

(60) Division of application No. 29/374,940, filed on Oct. 26, 2011, now Pat. No. Des. 675,062, and a continuation of application No. 13/192,438, filed on Jul. 27, 2011, and a continuation of application No. 13/192,440, filed on Jul. 27, 2011, and a continuation of application No. 13/192,441, filed on Jul. 27, 2011.

(51) **LOC (9) Cl.** **07-01**

(52) **U.S. Cl.**
USPC **D7/509**; D7/510; D7/511; D24/109

(58) **Field of Classification Search** D7/510, D7/511, 536, 300.1, 507, 300, 312, 313, 509; 239/318; D9/719, 527, 528, 550, 438, 780, D9/443, 777, 549, 525, 542, 564, 569; 215/393, 215/207, 11.1, 11.6, 388; D24/197; 220/705, 220/709, 254.1, 717, 714, 713; 222/211, 222/215

See application file for complete search history.

(56) **References Cited**

U.S. PATENT DOCUMENTS

4,485,963 A 12/1984 Panicci
5,147,066 A 9/1992 Snider
D486,996 S * 2/2004 Karp D7/510

6,783,020 B2 8/2004 Featherston et al.
6,880,713 B2 * 4/2005 Holley, Jr. 215/11.4
D584,102 S * 1/2009 Valderrama et al. D7/392.1
7,651,005 B2 * 1/2010 Nguyen et al. 215/365
D609,527 S * 2/2010 Roehrig et al. D7/510
D609,528 S * 2/2010 Roehrig et al. D7/510
D620,309 S * 7/2010 Boonprasop D7/396.2
D620,315 S * 7/2010 Boonprasop D7/509
D624,434 S * 9/2010 Schaeffer et al. D9/685
D628,078 S * 11/2010 Valderrama et al. D9/542
D642,437 S * 8/2011 Schofield et al. D7/510
D644,067 S * 8/2011 Valderrama et al. D7/534
D656,788 S * 4/2012 Sakulsacha D7/510
2004/0124196 A1 7/2004 Ziegler
2004/0200797 A1 10/2004 Hicks et al.

(Continued)

OTHER PUBLICATIONS

U.S. Appl. No. 13/192,438, filed Jul. 27, 2011, Dunn et al.
U.S. Appl. No. 13/192,440, filed Jul. 27, 2011, Dunn et al.

(Continued)

Primary Examiner — Marianne Pandozzi

(74) *Attorney, Agent, or Firm* — Robert Z. Evora, Esq.

(57) **CLAIM**

The ornamental design for a container, as shown and described.

DESCRIPTION

FIG. 1 is a perspective view of a container showing our new design;

FIG. 2 is a front view of the container;

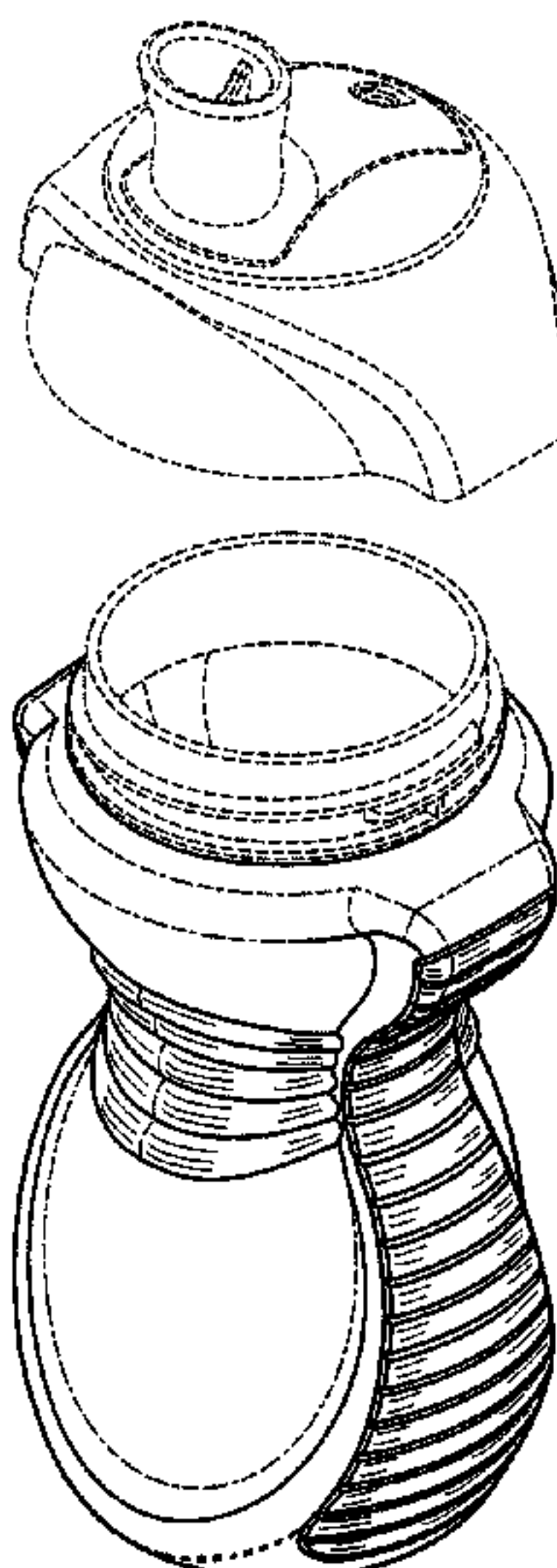
FIG. 3 is a side view of the container;

FIG. 4 is a bottom view of the container; and,

FIG. 5 is a top view of the container.

The broken lines shown in the drawings represent environmental structure in figures that form no part of the claimed design.

1 Claim, 2 Drawing Sheets



US D682,033 S

Page 2

U.S. PATENT DOCUMENTS

2006/0213912 A1 9/2006 Zaytoun
2009/0071962 A1 3/2009 Lindsay
2009/0242562 A1* 10/2009 Valderrama et al. 220/288
2010/0051572 A1 3/2010 Beecroft et al.
2010/0147862 A1 6/2010 Keefe et al.

OTHER PUBLICATIONS

U.S. Appl. No. 13/192,441, filed Jul. 27, 2011, Dunn et al.
U.S. Appl. No. 29/374,940, filed Oct. 26, 2011, Dunn et al.

* cited by examiner

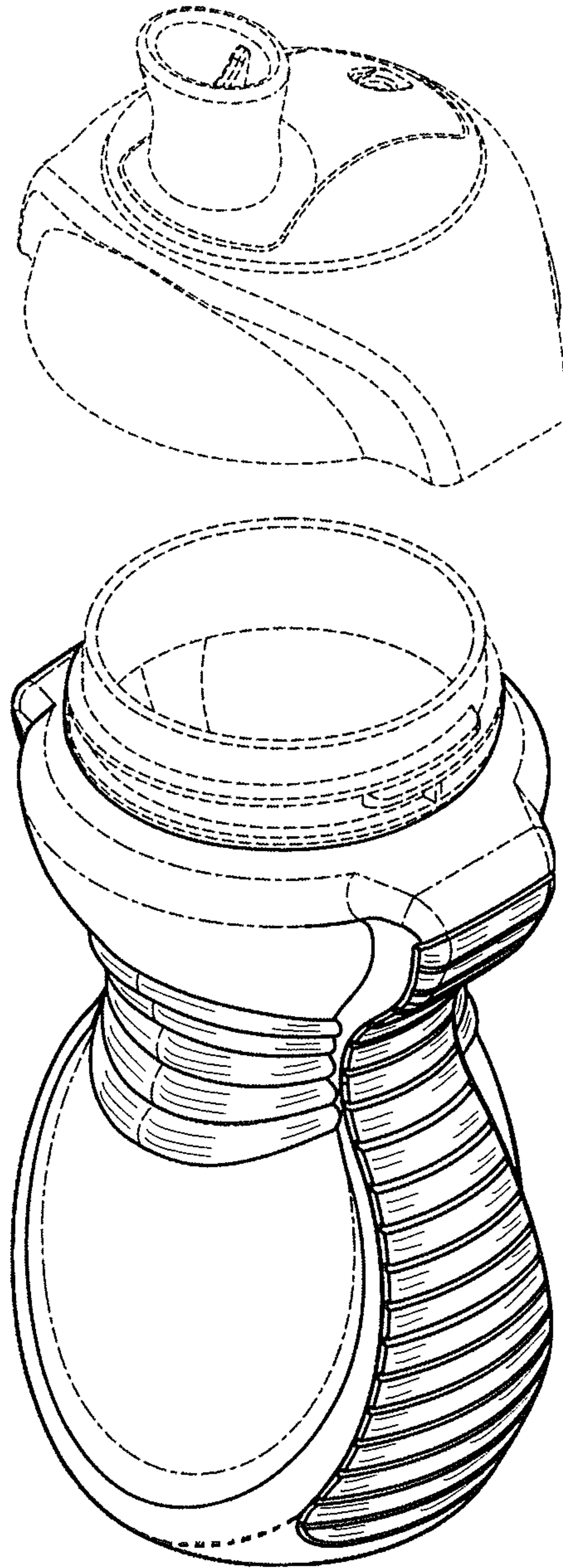


FIG. 1

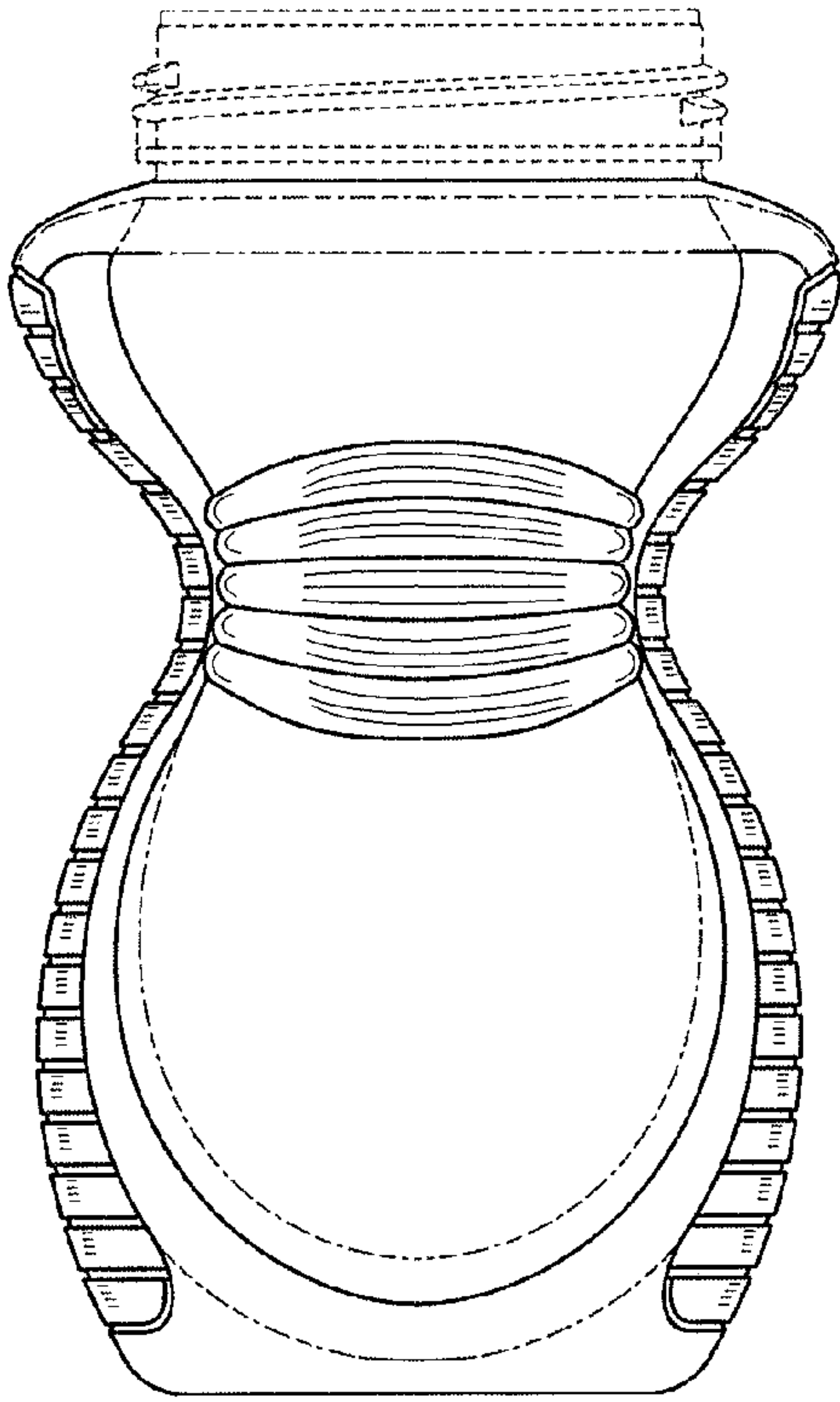


FIG. 2

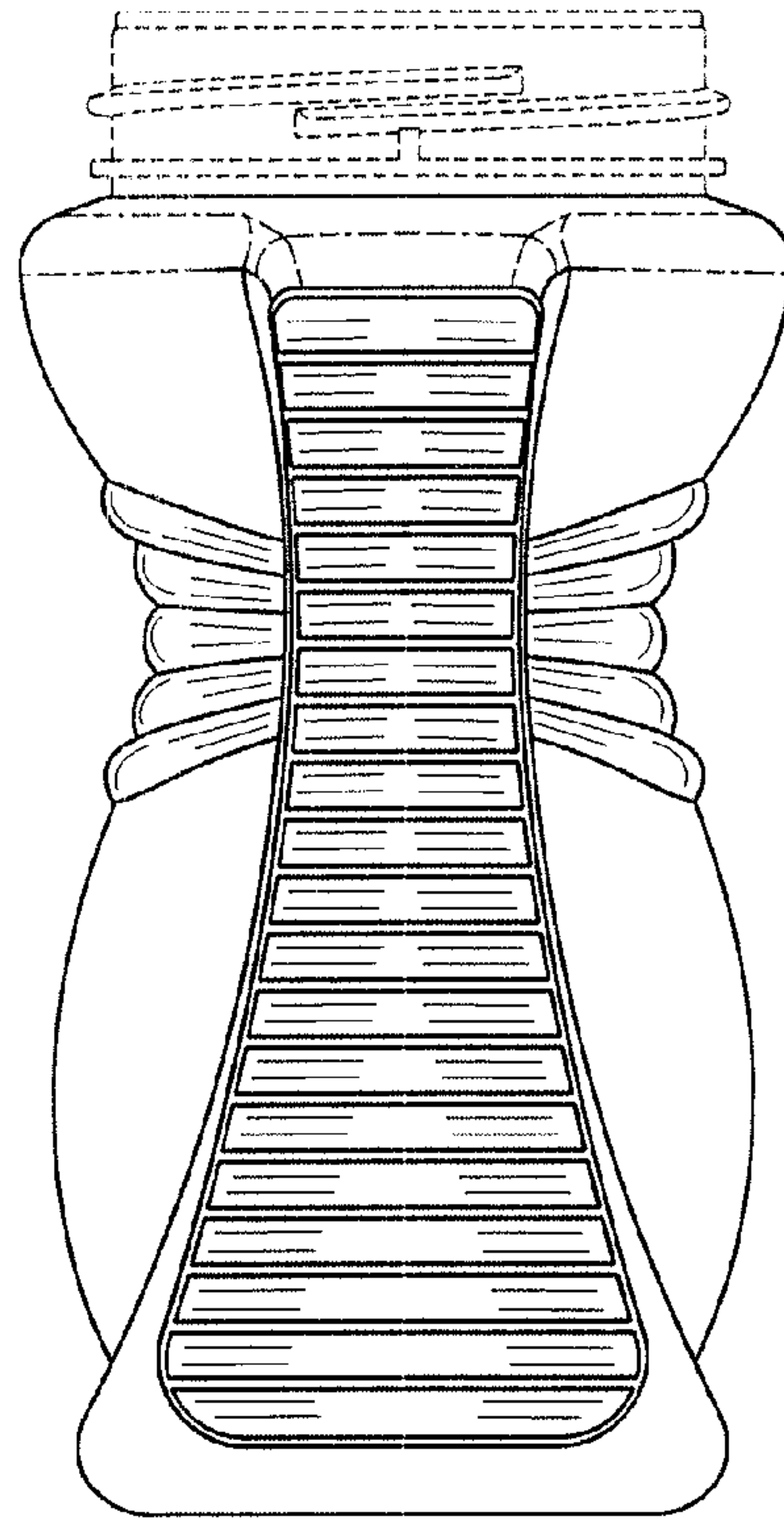


FIG. 3

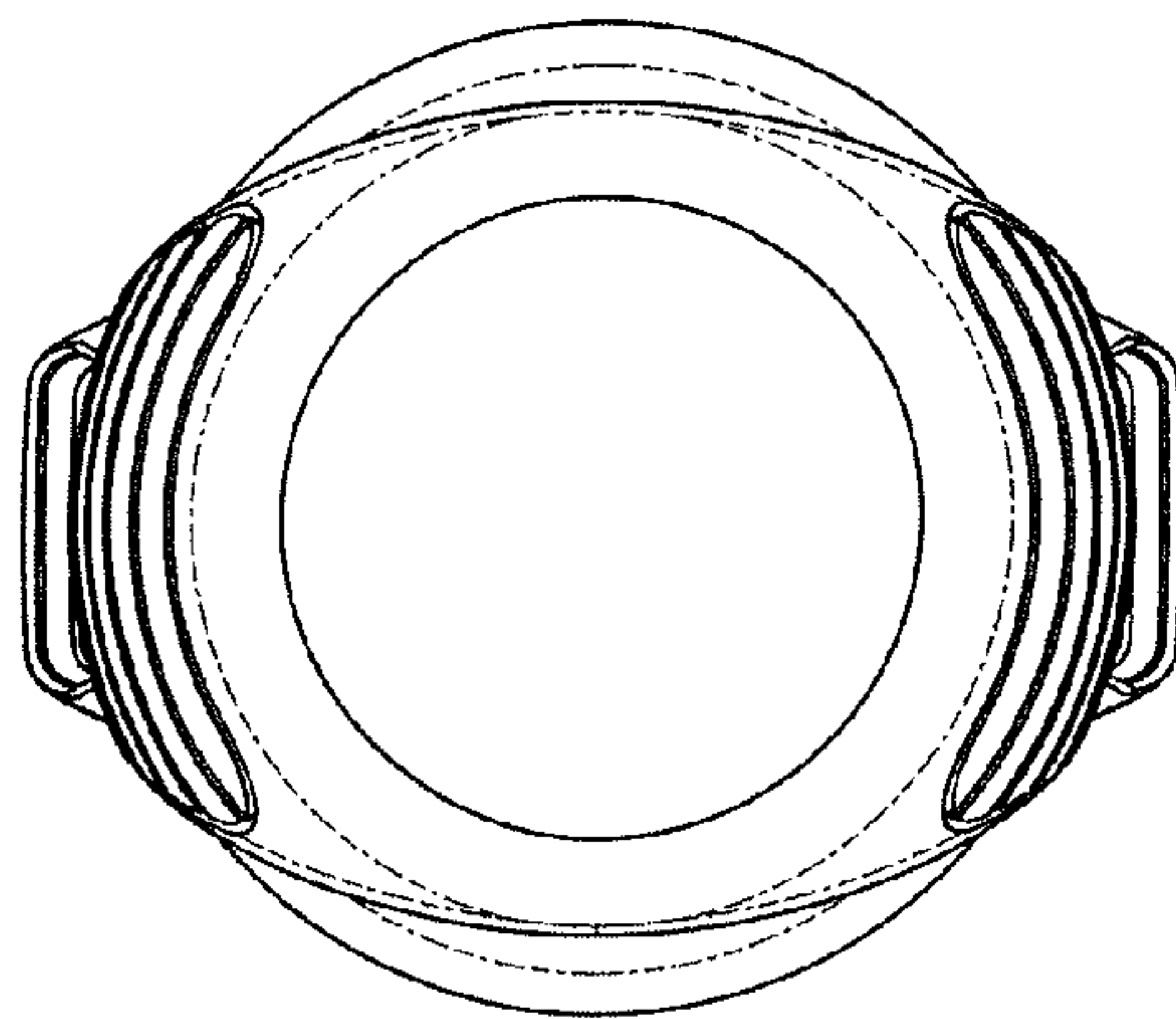


FIG. 4

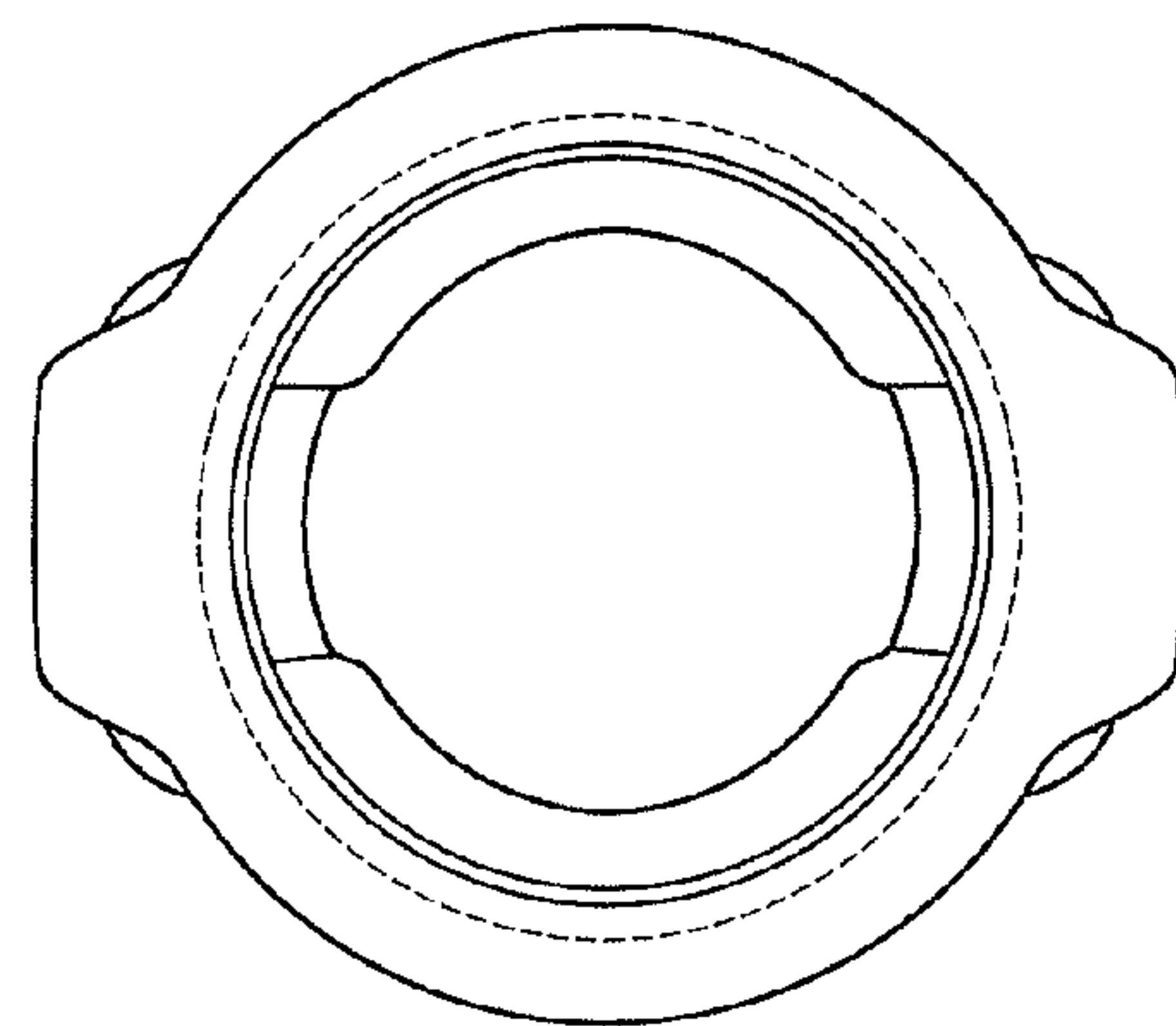


FIG. 5