



US00D682032S

(12) **United States Design Patent**
Poppie

(10) **Patent No.:** **US D682,032 S**

(45) **Date of Patent:** **** May 14, 2013**

(54) **DRINKING VESSEL**

(71) Applicant: **William F. Poppie**, Eugene, OR (US)

(72) Inventor: **William F. Poppie**, Eugene, OR (US)

(**) Term: **14 Years**

(21) Appl. No.: **29/440,630**

(22) Filed: **Dec. 23, 2012**

Related U.S. Application Data

(60) Division of application No. 29/414,769, filed on Mar. 2, 2012, now abandoned, which is a continuation of application No. 12/062,532, filed on Apr. 4, 2008, now abandoned.

(51) **LOC (9) Cl.** **07-01**

(52) **U.S. Cl.**
USPC **D7/509; D7/536**

(58) **Field of Classification Search** D7/509,
D7/523, 525, 526, 529, 536, 533; 220/703,
220/592.16, 592.17

See application file for complete search history.

(56) **References Cited**

U.S. PATENT DOCUMENTS

45,309 A	12/1864	Bliss	
D19,209 S	7/1889	Mellor	
853,751 A *	5/1907	Attanasio	312/351
1,134,354 A *	4/1915	Seifke	215/382
1,651,485 A	12/1927	Thesen	
1,989,019 A *	1/1935	O’Keeffe	366/130
2,021,495 A	11/1935	Anderson	
2,208,431 A	7/1940	Rochow	
2,352,205 A	6/1944	Karlson	
2,592,485 A	4/1952	Stair	
2,965,274 A	12/1960	Brillis et al.	
3,085,281 A	4/1963	Massman	
3,088,715 A	5/1963	Deindoerfer	
3,138,371 A *	6/1964	Feher et al.	366/341

3,224,742 A	12/1965	Hiser	
3,341,184 A *	9/1967	Merrill	366/349
3,397,867 A	8/1968	Van’t Hoff	
3,606,262 A	9/1971	Van’t Hoff	
D229,007 S	11/1973	Hodges	
D234,741 S	4/1975	Emmons	

(Continued)

OTHER PUBLICATIONS

U.S. Appl. No. 12/062,394, filed Apr. 4, 2008, Poppie.

(Continued)

Primary Examiner — Marianne Pandozzi

(74) *Attorney, Agent, or Firm* — David S. Alavi

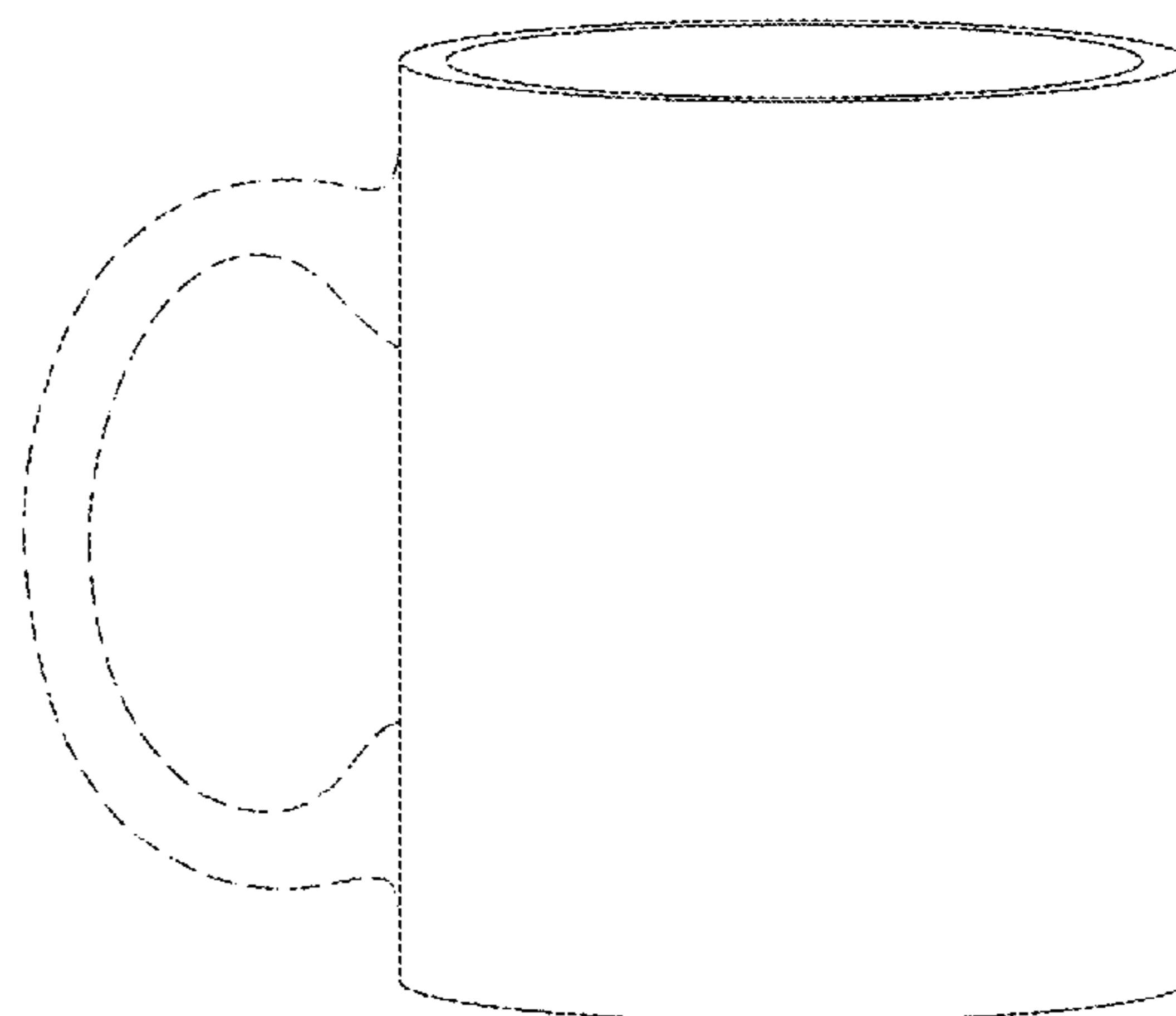
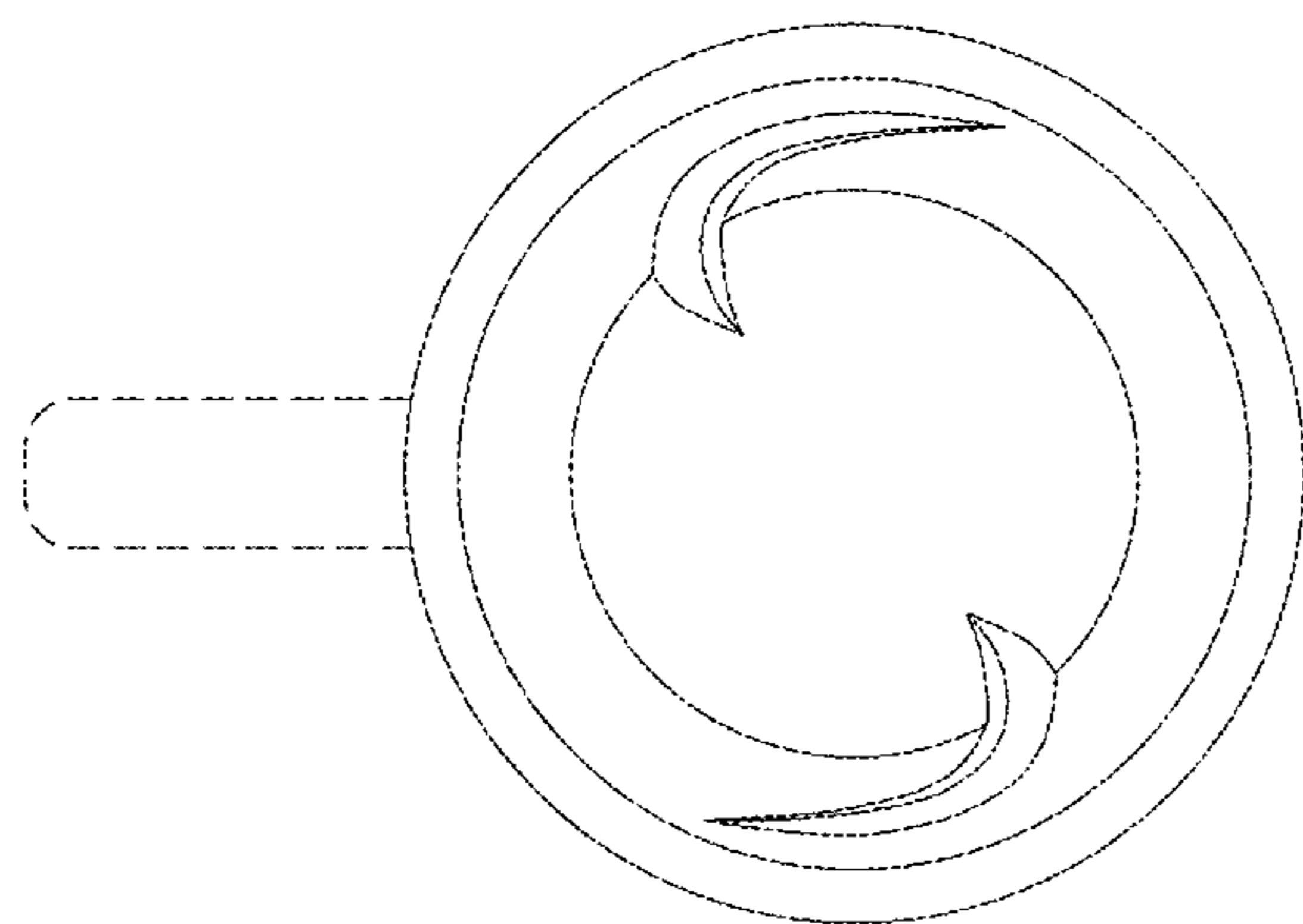
(57) **CLAIM**

The ornamental design for a drinking vessel, as shown and described.

DESCRIPTION

FIG. 1 is a top view of a drinking vessel.
 FIG. 2 is a front view of the drinking vessel.
 FIG. 3 is a back view of the drinking vessel.
 FIG. 4 is a bottom view of the drinking vessel.
 FIG. 5 is a left side view of the drinking vessel.
 FIG. 6 is a right side view of the drinking vessel; and,
 FIG. 7 is a front cutaway view of the drinking vessel.
 An optional handle for the drinking vessel is shown in broken lines and does not form part of the claimed design. An optional surface relief feature on the bottom of the drinking vessel is shown in broken lines and does not form part of the claimed design. A cutaway portion shown in broken lines does not form part of the claimed design, but is provided only to show features of the claimed design that would otherwise be obscured. The present design shall be understood to encompass mirror images of the exemplary embodiments shown in the Drawings.

1 Claim, 4 Drawing Sheets



US D682,032 S

Page 2

U.S. PATENT DOCUMENTS

3,920,226 A * 11/1975 Walt 366/130
D239,152 S * 3/1976 Gerling D7/536
D239,754 S * 5/1976 Yoder D7/536
4,253,772 A * 3/1981 Burton-Smith 366/130
D264,795 S * 6/1982 Strieber D7/318
4,332,482 A * 6/1982 Engler 366/130
D266,815 S 11/1982 Durand
D272,116 S 1/1984 Durand
D275,254 S 8/1984 Durand
4,665,035 A 5/1987 Tunac
D299,624 S 1/1989 Rothman et al.
4,875,781 A 10/1989 Raska
4,880,312 A * 11/1989 Carlson 366/130
5,080,244 A 1/1992 Yoshino
D329,170 S * 9/1992 Hoffer D7/509
D345,073 S 3/1994 Carlson
5,320,248 A * 6/1994 Jamieson, III 220/669
D365,248 S * 12/1995 Falzarano D7/533
5,704,504 A 1/1998 Bueno
D398,189 S 9/1998 Benson
D414,656 S 10/1999 Richmond
D444,675 S * 7/2001 Kerman D7/521
D446,684 S 8/2001 Price
D459,341 S 6/2002 Saeki et al.
6,409,374 B1 6/2002 Willat
D462,266 S 9/2002 Gittins et al.
D468,203 S 1/2003 Gittins et al.
D477,750 S 7/2003 Chuang
D497,079 S * 10/2004 Paggio D7/507
D529,341 S 10/2006 Hsu
D530,852 S * 10/2006 Zheng D27/148
D557,985 S * 12/2007 Arcangeli D7/536
D584,568 S 1/2009 Gibbs et al.

D590,209 S * 4/2009 Barducci D7/525
7,543,717 B2 * 6/2009 Hinkle 220/508
D600,978 S * 9/2009 Poindexter et al. D7/533
D602,739 S 10/2009 Fairfield
D606,809 S * 12/2009 Fletcher D7/514
D625,953 S * 10/2010 Claffey D7/507
D630,473 S * 1/2011 Poppie D7/525
D639,113 S 6/2011 Hayes
D664,394 S 7/2012 Poppie
D664,395 S 7/2012 Poppie
2007/0125743 A1 6/2007 Pritchett et al.

OTHER PUBLICATIONS

U.S. Appl. No. 29/440,629, filed Dec. 23, 2012, Poppie.
Notice of Allowance dated Sep. 20, 2010 in co-owned U.S. Appl. No. 29/355,845 (now Pat No. D630,473).
Office Action dated May 26, 2011 in co-owned U.S. Appl. No. 12/062,532.
Office Action dated Sep. 16, 2011 in co-owned U.S. Appl. No. 12/062,532.
Office Action dated Dec. 15, 2011 in co-owned U.S. Appl. No. 12/062,532.
Notice of Allowance dated Jun. 6, 2012 in co-owned U.S. Appl. No. 29/400,937 (now Pat No. D664,394).
Notice of Allowance dated May 25, 2012 in co-owned U.S. Appl. No. 29/400,942 (now Pat No. D664,395).
Office Action dated May 4, 2012 in co-owned U.S. Appl. No. 29/414,769.
Office Action dated Jul. 25, 2012 in co-owned U.S. Appl. No. 29/414,769.

* cited by examiner

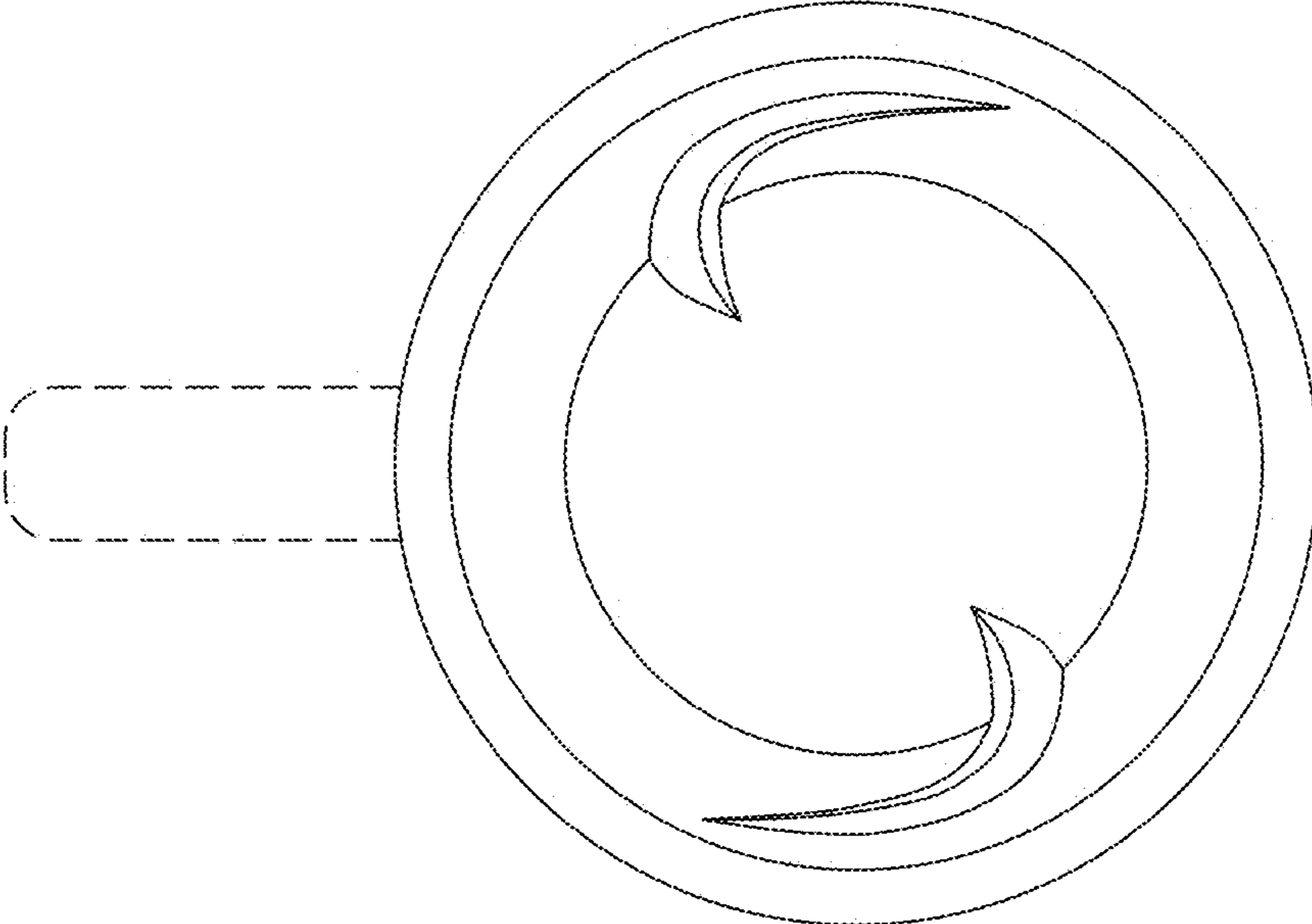


FIG. 1

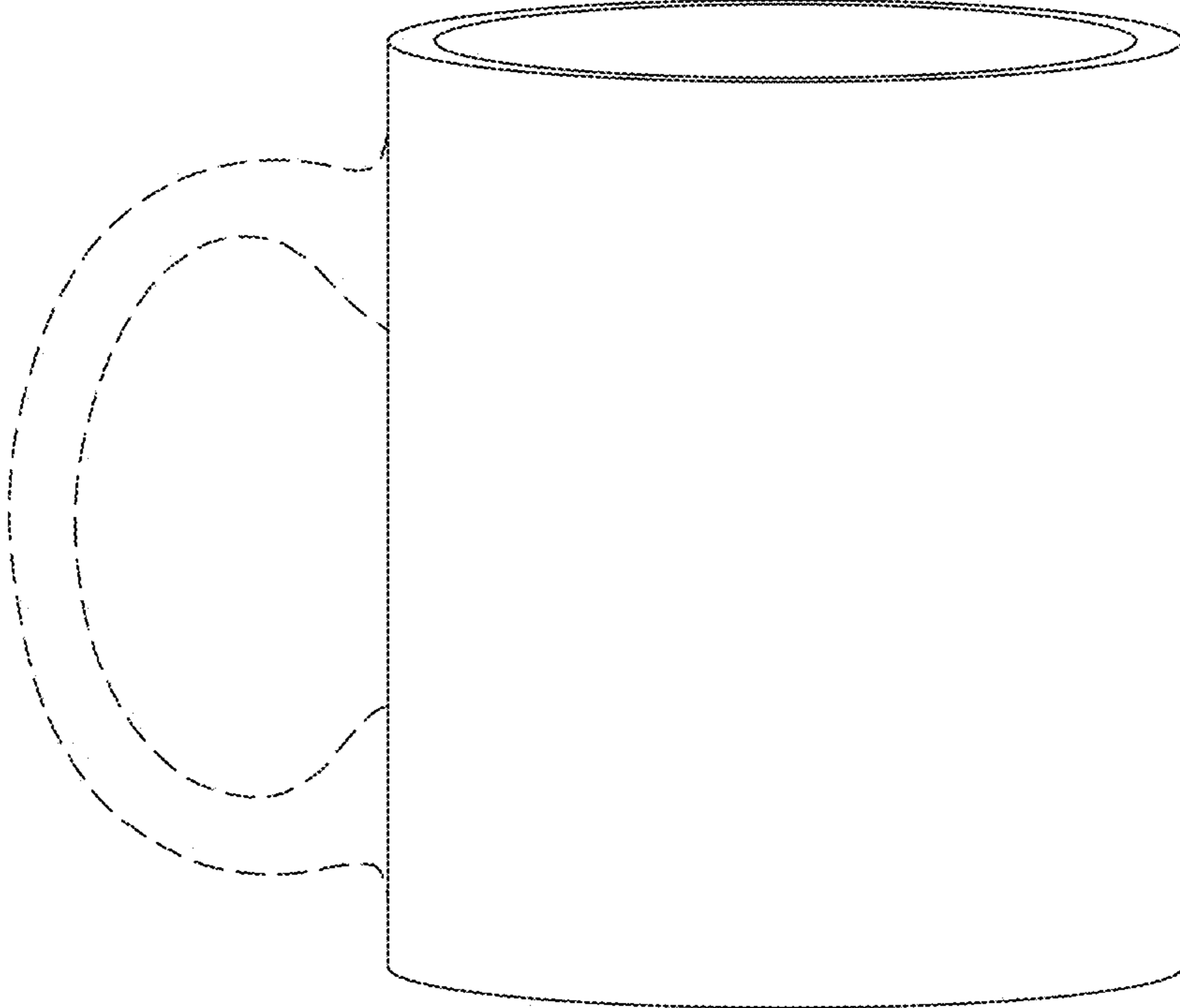


FIG. 2

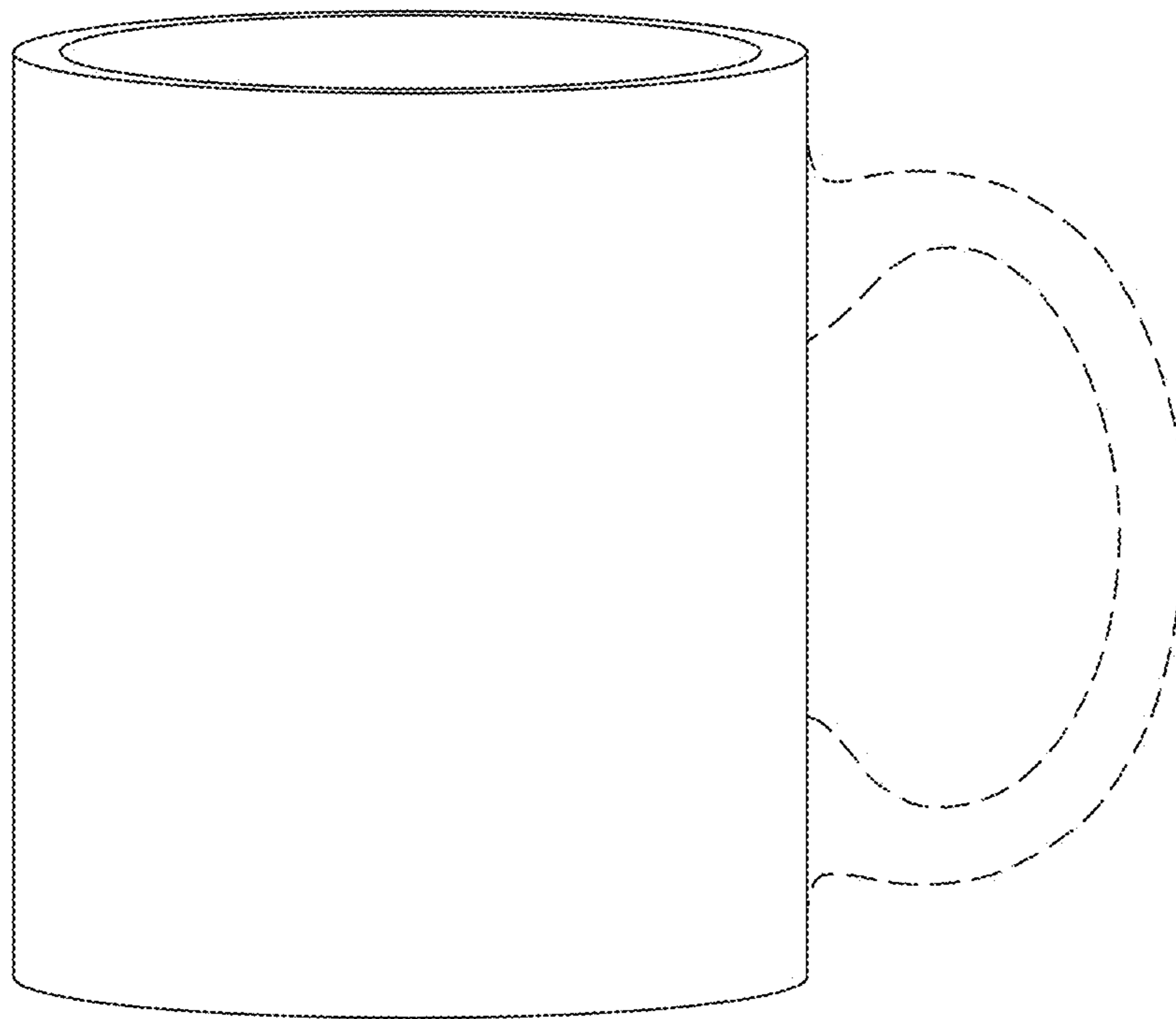


FIG. 3

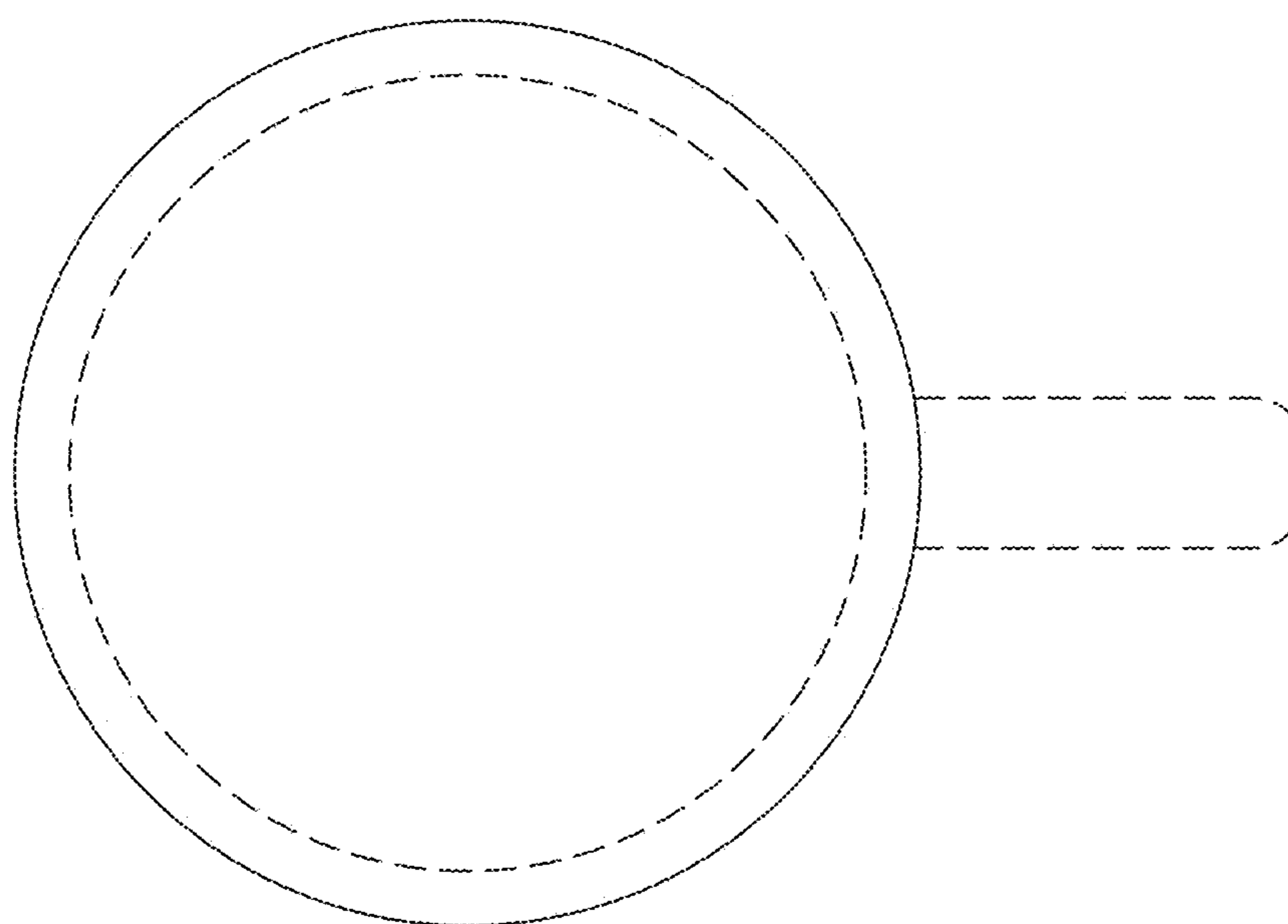


FIG. 4

FIG. 5

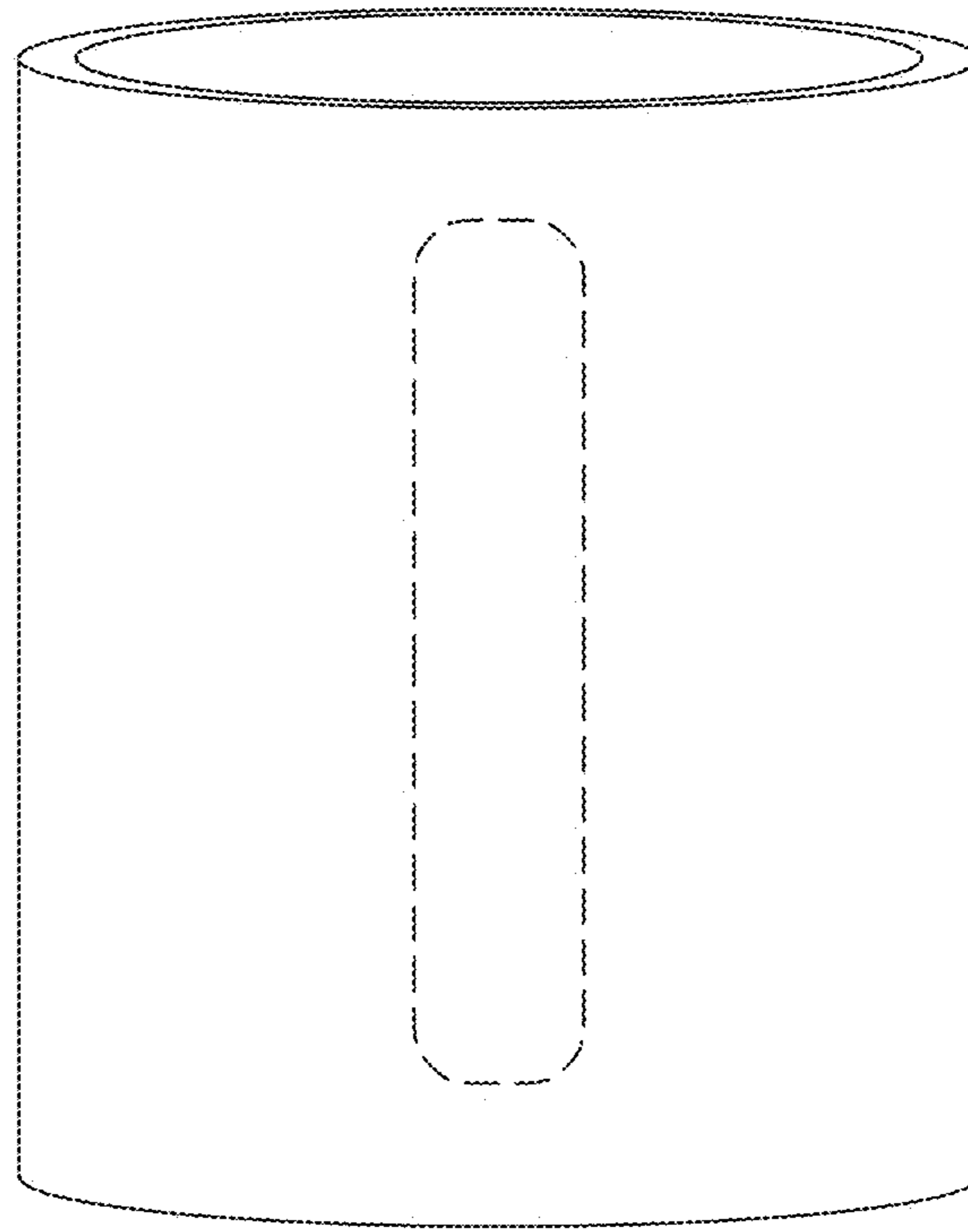
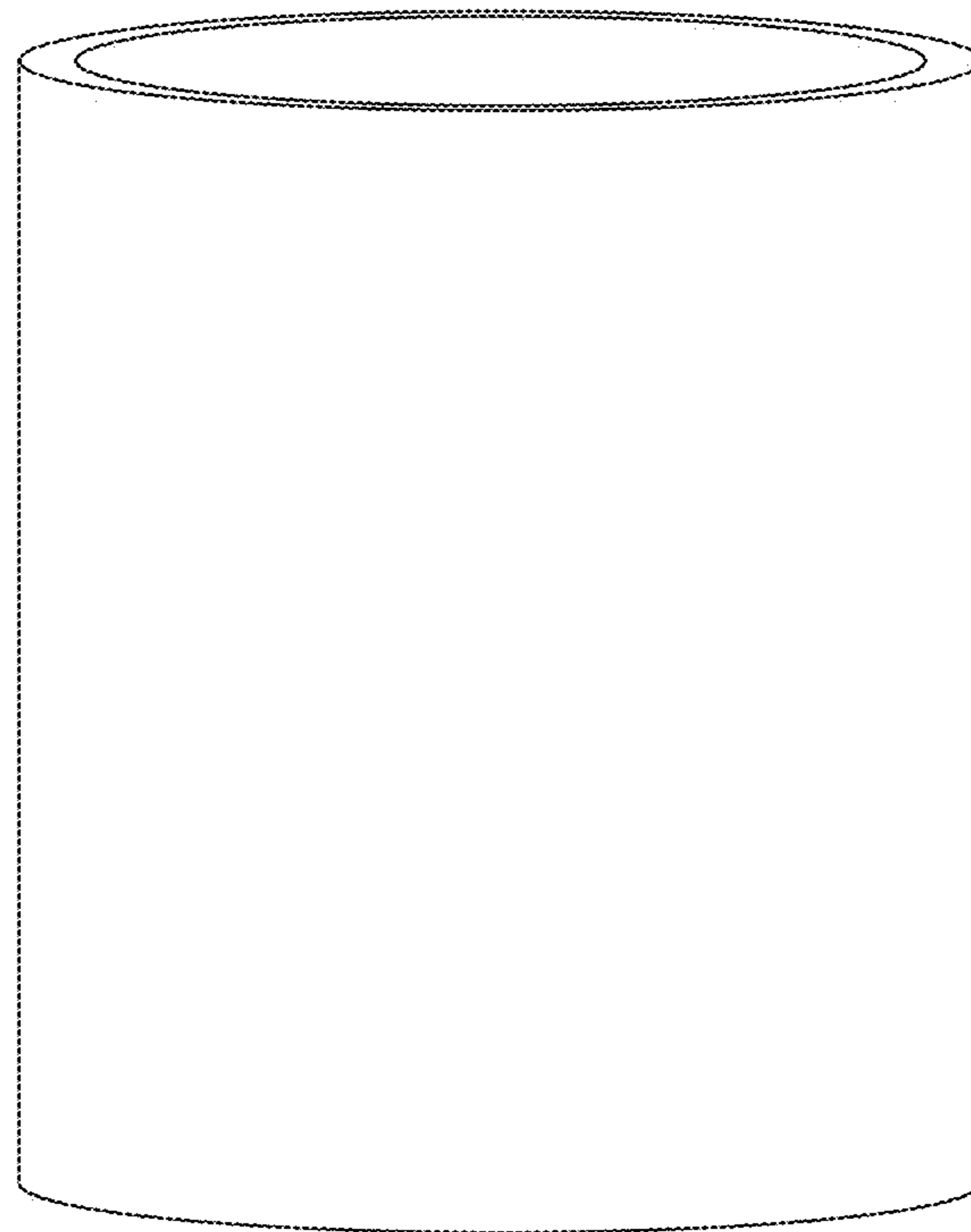


FIG. 6



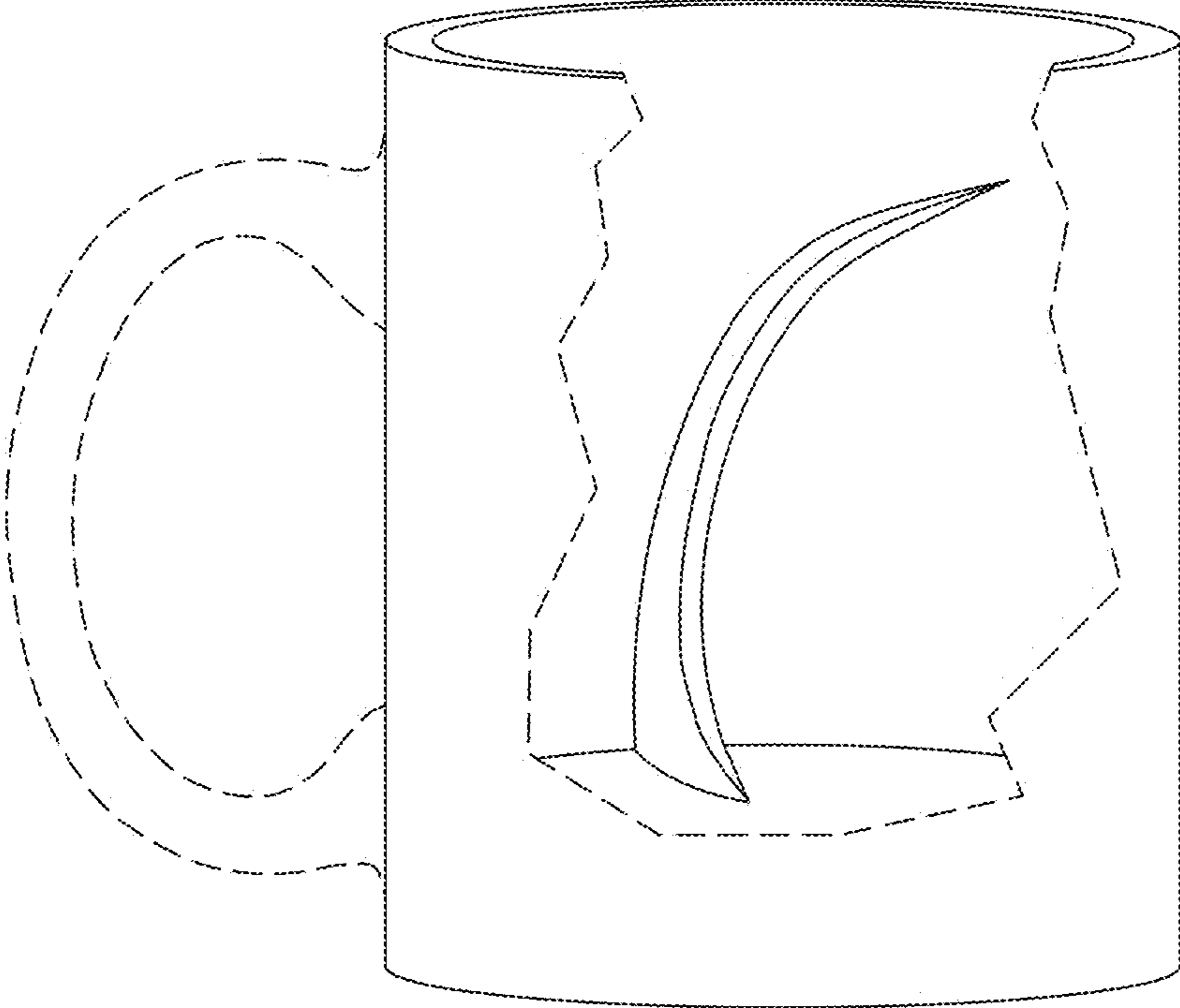


FIG. 7