



US00D682030S

(12) **United States Design Patent**
Ezechukwu

(10) **Patent No.:** **US D682,030 S**
(45) **Date of Patent:** **** May 14, 2013**

- (54) **FOOD BLENDER BLADE**
 - (75) Inventor: **Sunday Ezechukwu**, Lancaster, CA (US)
 - (73) Assignee: **Daysun Products Company, a Subsidiary of Realsauna Sporting Goods LLC**, Palmdale, CA (US)
 - (**) Term: **14 Years**
 - (21) Appl. No.: **29/431,573**
 - (22) Filed: **Sep. 9, 2012**
 - (51) **LOC (9) Cl.** **07-02**
 - (52) **U.S. Cl.**
USPC **D7/412; D7/376; D7/384**
 - (58) **Field of Classification Search** D7/301-313, D7/316-319, 356-357, 368, 372-386, 391-398, D7/412-415, 503, 515, 665, 679, 691-693; 99/326, 348, 492, 508-512; 241/30-37.5, 241/101.01-101.2, 166-169.1, 172, 199.12, 241/272, 282.1-282.2, 285.1-285.3, 291, 241/292.1; 366/64-67, 98, 129, 142-144, 366/192-211, 241-254, 262, 279-292, 325.8, 366/325.92, 341-347; 416/75-77, 70 R, 416/163; 452/141
- See application file for complete search history.

6,532,863	B1 *	3/2003	Lee	99/348
6,834,818	B2 *	12/2004	Lee	241/292.1
D501,628	S *	2/2005	Feil	D7/412
D604,101	S *	11/2009	Sands	D7/412
7,641,380	B2 *	1/2010	Behar et al.	366/205
D623,890	S *	9/2010	Metaxatos et al.	D7/376
D624,359	S *	9/2010	Schleinker	D7/412
D647,364	S *	10/2011	Audette et al.	D7/412
D647,365	S *	10/2011	Audette et al.	D7/412
8,056,848	B1 *	11/2011	Liang	241/292.1
8,132,752	B1 *	3/2012	Hotaling et al.	241/282.1
8,197,121	B2 *	6/2012	Sands	366/246

(Continued)

Primary Examiner — Ricky Pham

(57) **CLAIM**
The ornamental design for a food blender blade, substantially as shown and described.

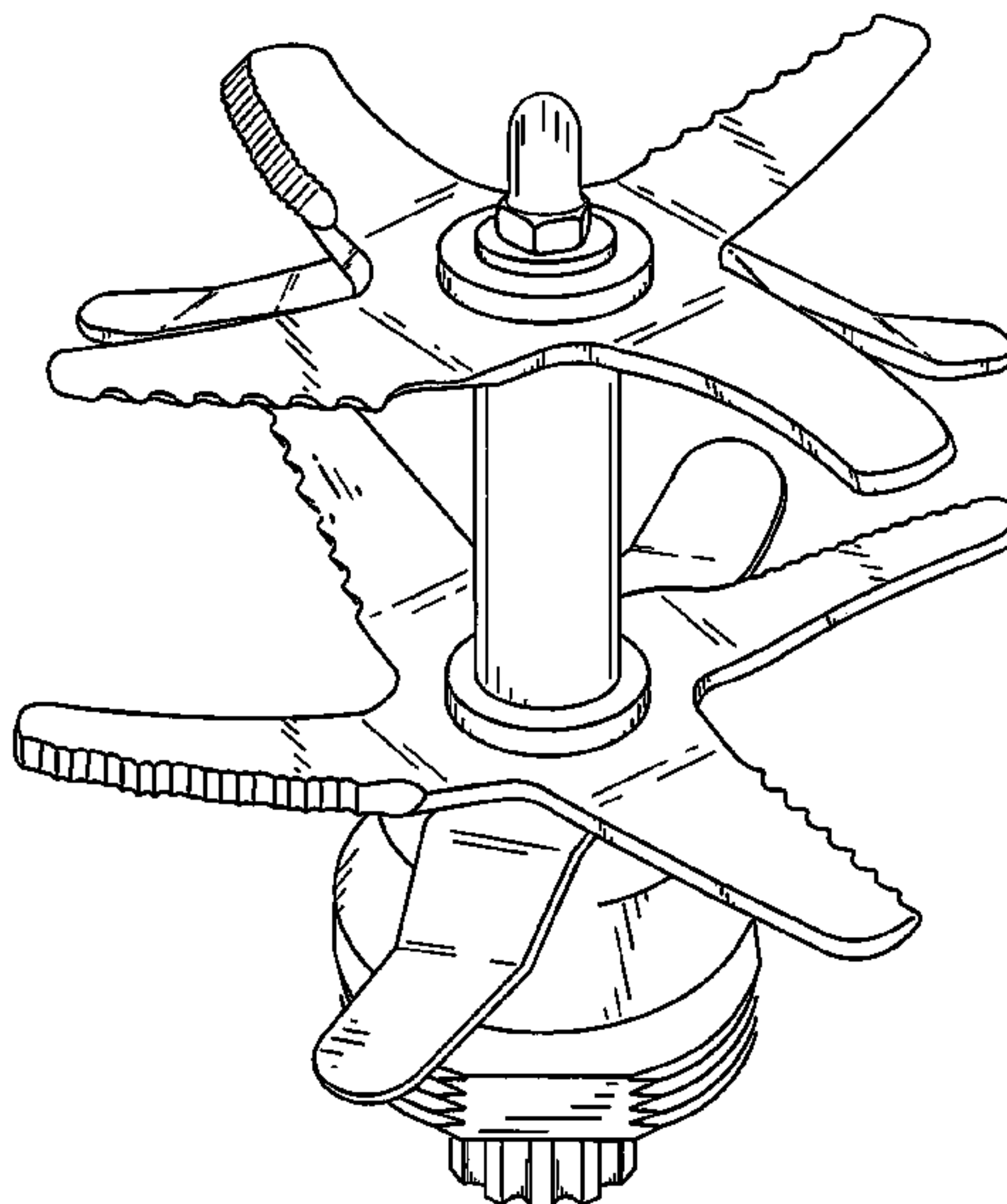
DESCRIPTION

FIG. 1 is a top perspective view of a blender blade in accordance with an embodiment of the present design;
 FIG. 2 is an underside perspective view of the embodiment shown in FIG. 1;
 FIG. 3 is a bottom plan view of the embodiment shown in FIG. 1;
 FIG. 4 is a top plan view of the embodiment shown in FIG. 1;
 FIG. 5 is a right underside elevational view of the embodiment shown in FIG. 1;
 FIG. 6 is a left side elevational view of the embodiment shown in FIG. 1;
 FIG. 7 is a front underside elevational view of the embodiment shown in FIG. 1; and,
 FIG. 8 is a rear elevational view of the embodiment shown in FIG. 1.

In a preferred embodiment, the nature of this product is as a blade comprising two sets of stackable blades and twelve total, which is primarily useful as a chopping means for a food blender.

1 Claim, 5 Drawing Sheets

- (56) **References Cited**
- U.S. PATENT DOCUMENTS
- 3,139,917 A * 7/1964 Elmore 241/199.12
- 3,461,933 A * 8/1969 Mantelet 241/199.12
- 4,733,827 A * 3/1988 Williams 241/101.2
- 4,817,878 A * 4/1989 Shibata 241/282.2
- 4,930,709 A * 6/1990 Steffens 241/282.2
- D369,944 S * 5/1996 Cartellone D7/412
- D404,253 S * 1/1999 Littmann D7/412
- D421,201 S * 2/2000 Crescenzi et al. D7/412
- D421,546 S * 3/2000 Ekstrom D7/412



US D682,030 S

Page 2

U.S. PATENT DOCUMENTS			
D663,586 S *	7/2012	Audette	D7/412
D668,115 S *	10/2012	Potter	D7/412
2002/0139884 A1 *	10/2002	Williams et al.	241/282.1
2008/0198691 A1 *	8/2008	Behar et al.	366/205
2012/0080549 A1 *	4/2012	Rukavina	241/282.1

* cited by examiner

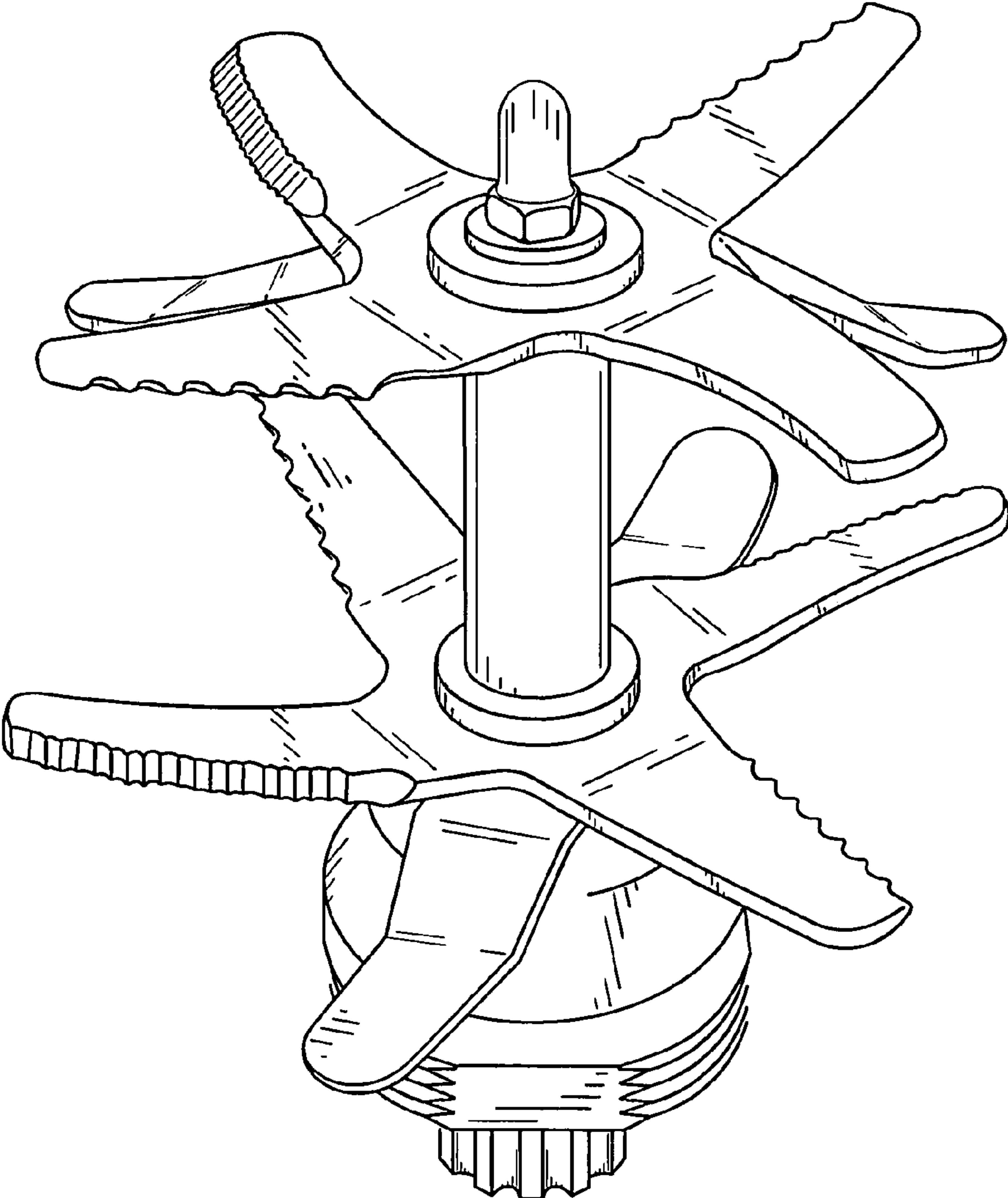


FIG.1

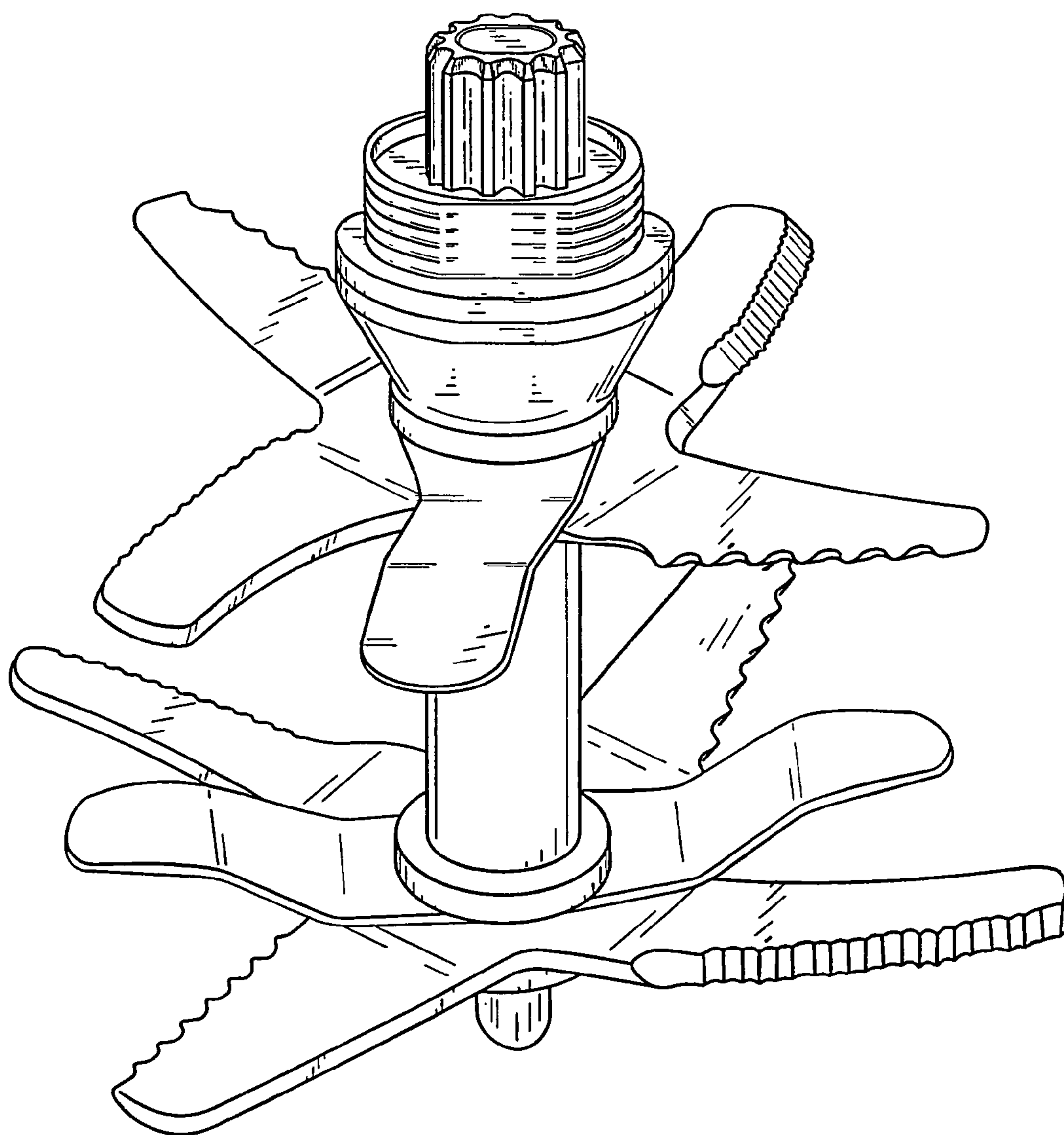


FIG.2

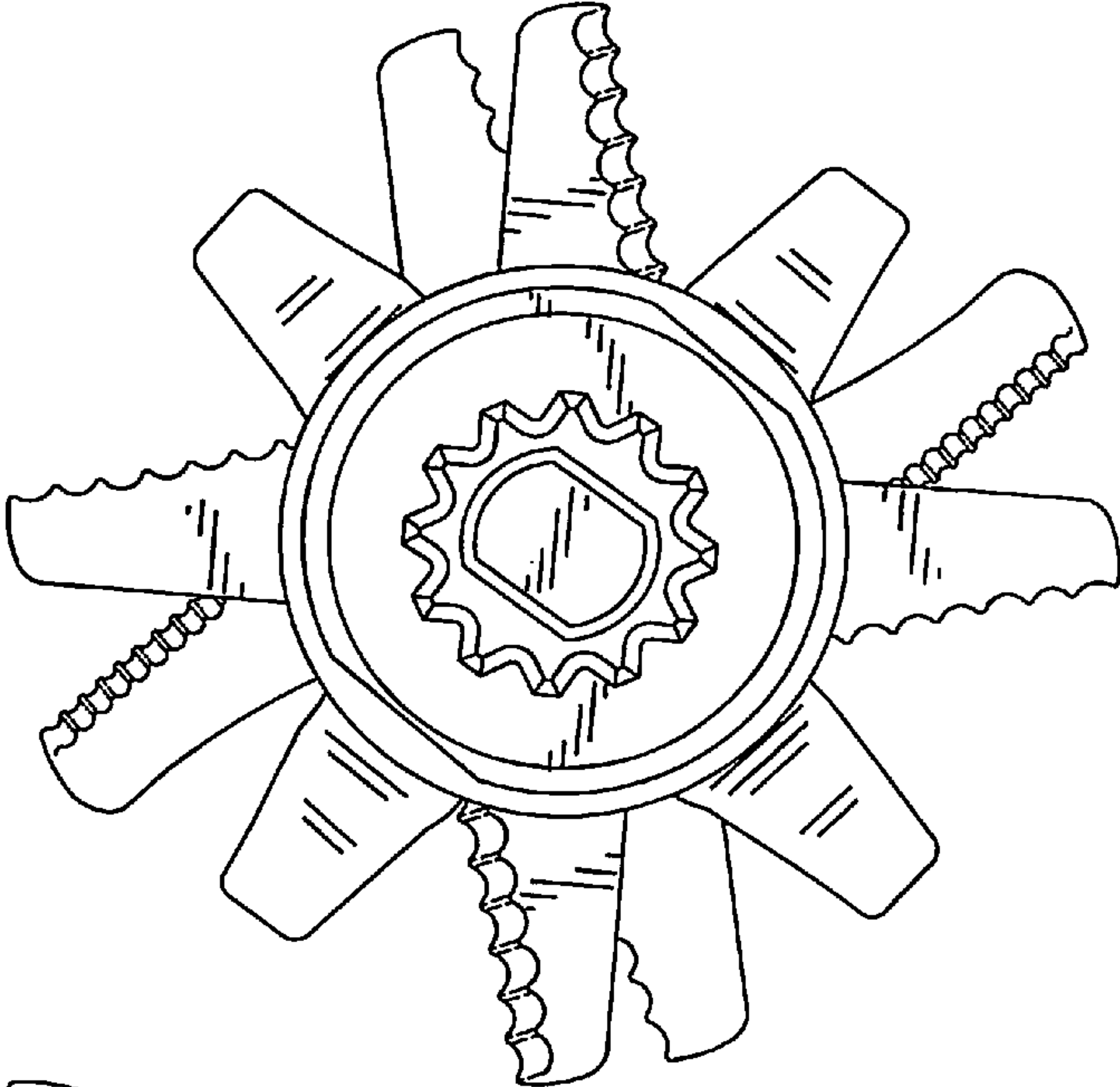


FIG. 3

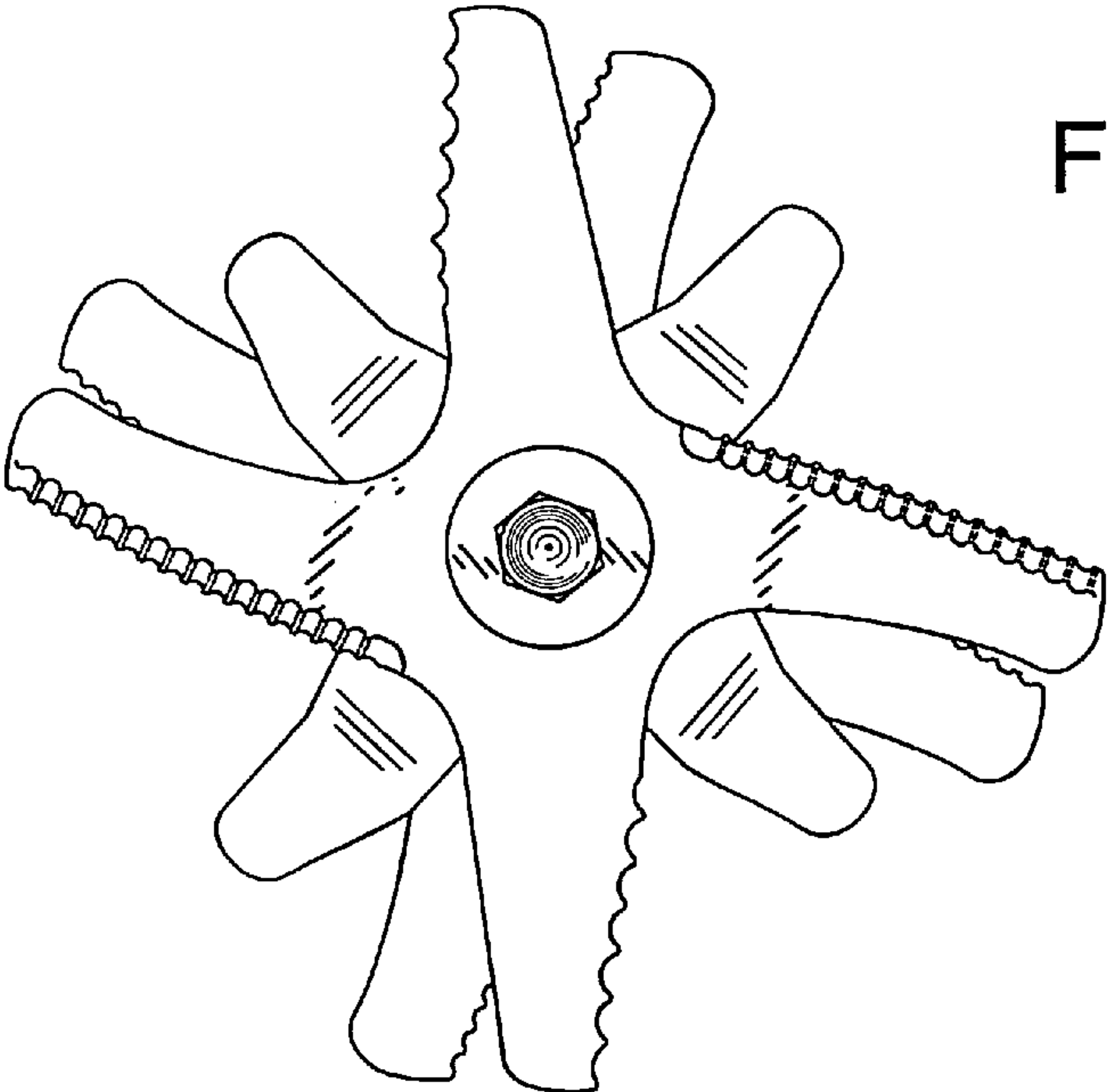


FIG. 4

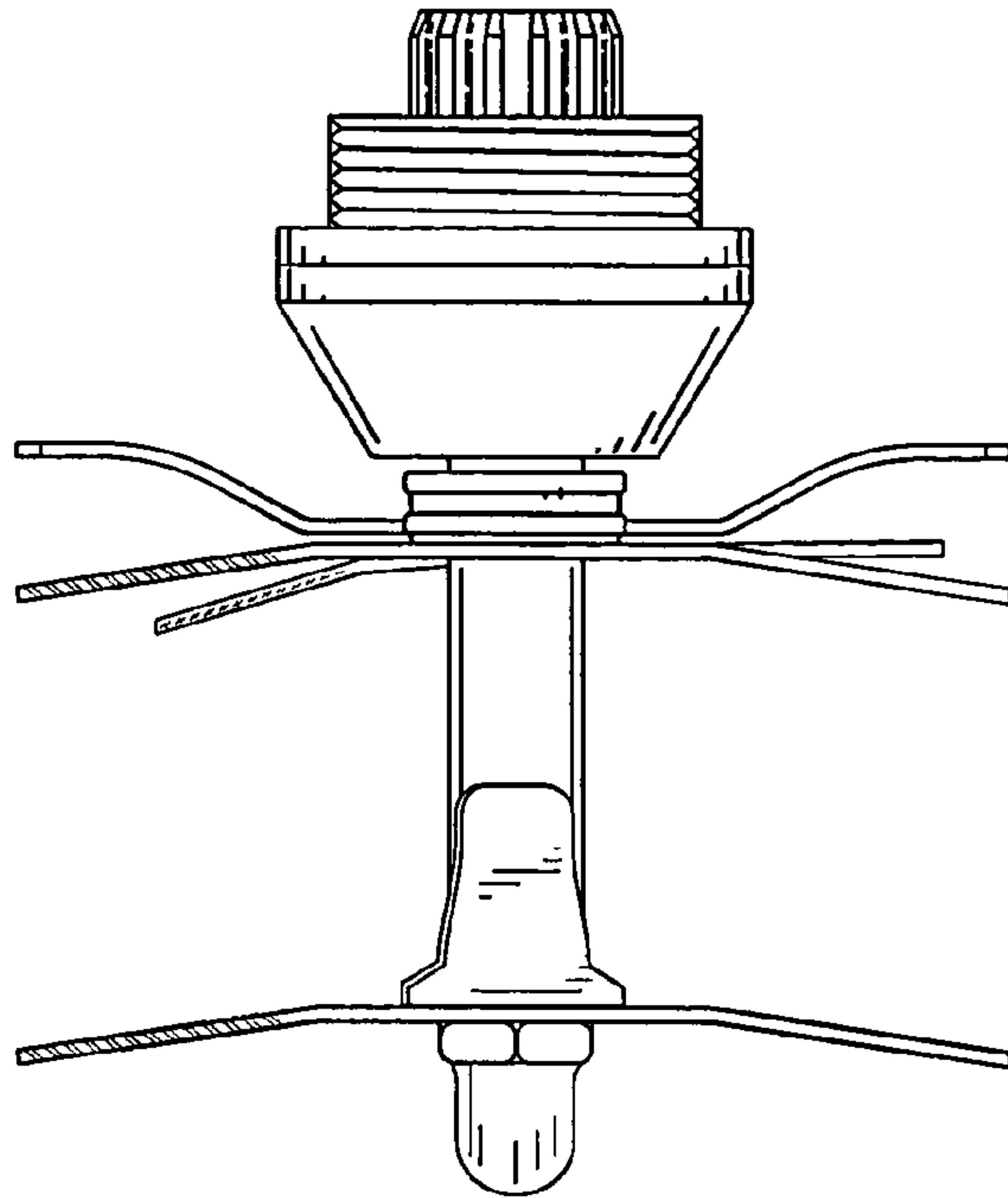


FIG. 5

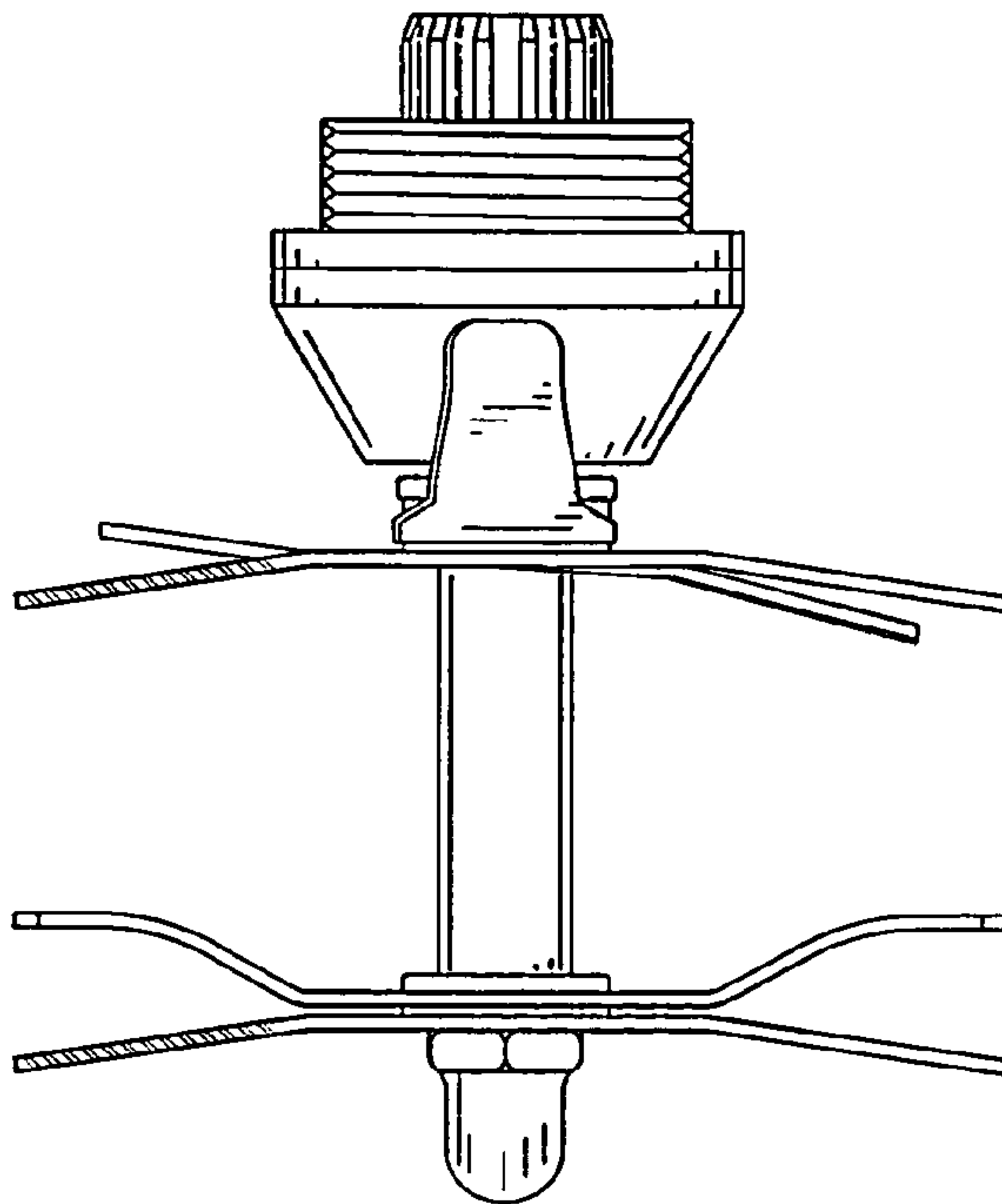


FIG. 6

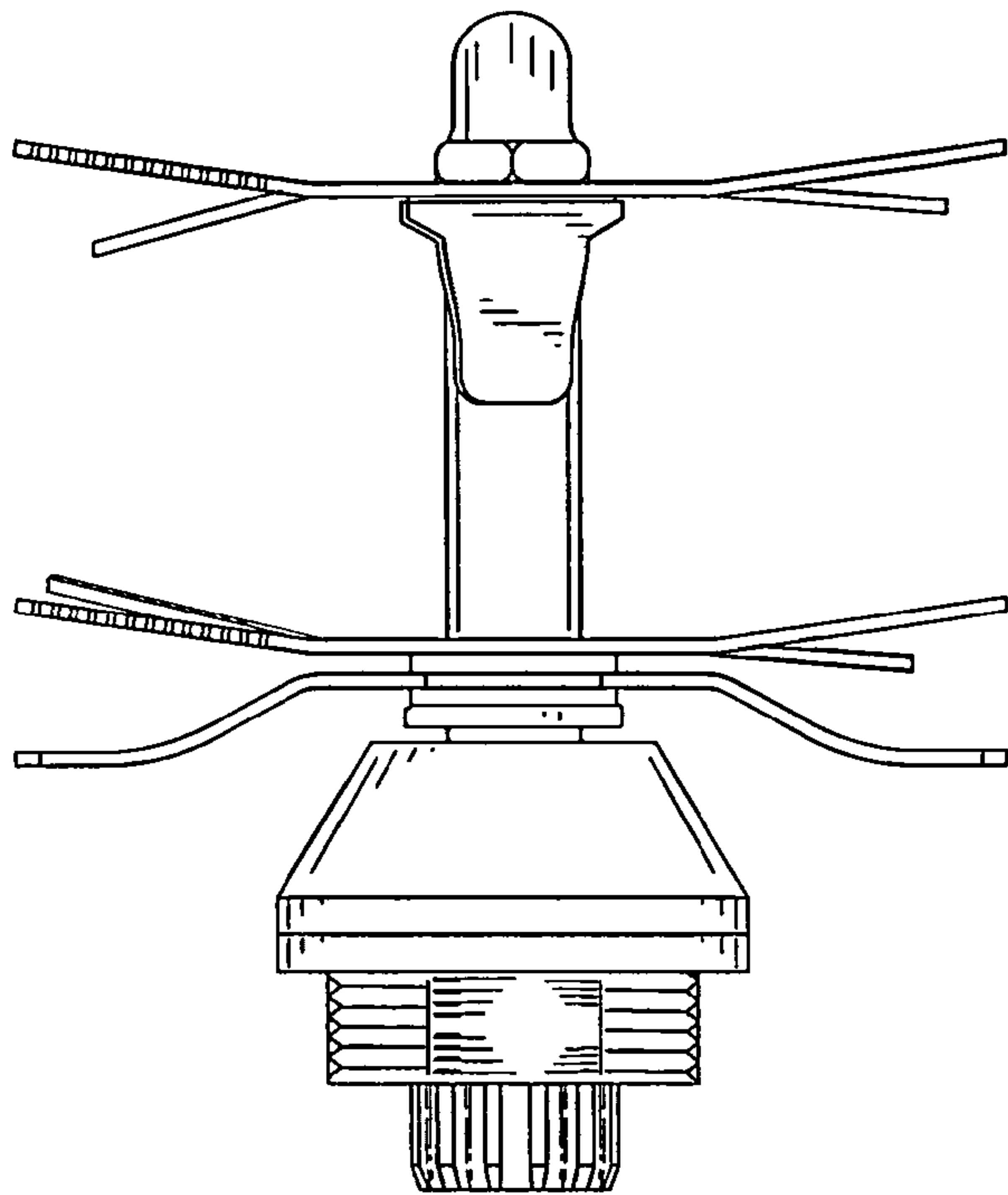


FIG. 7

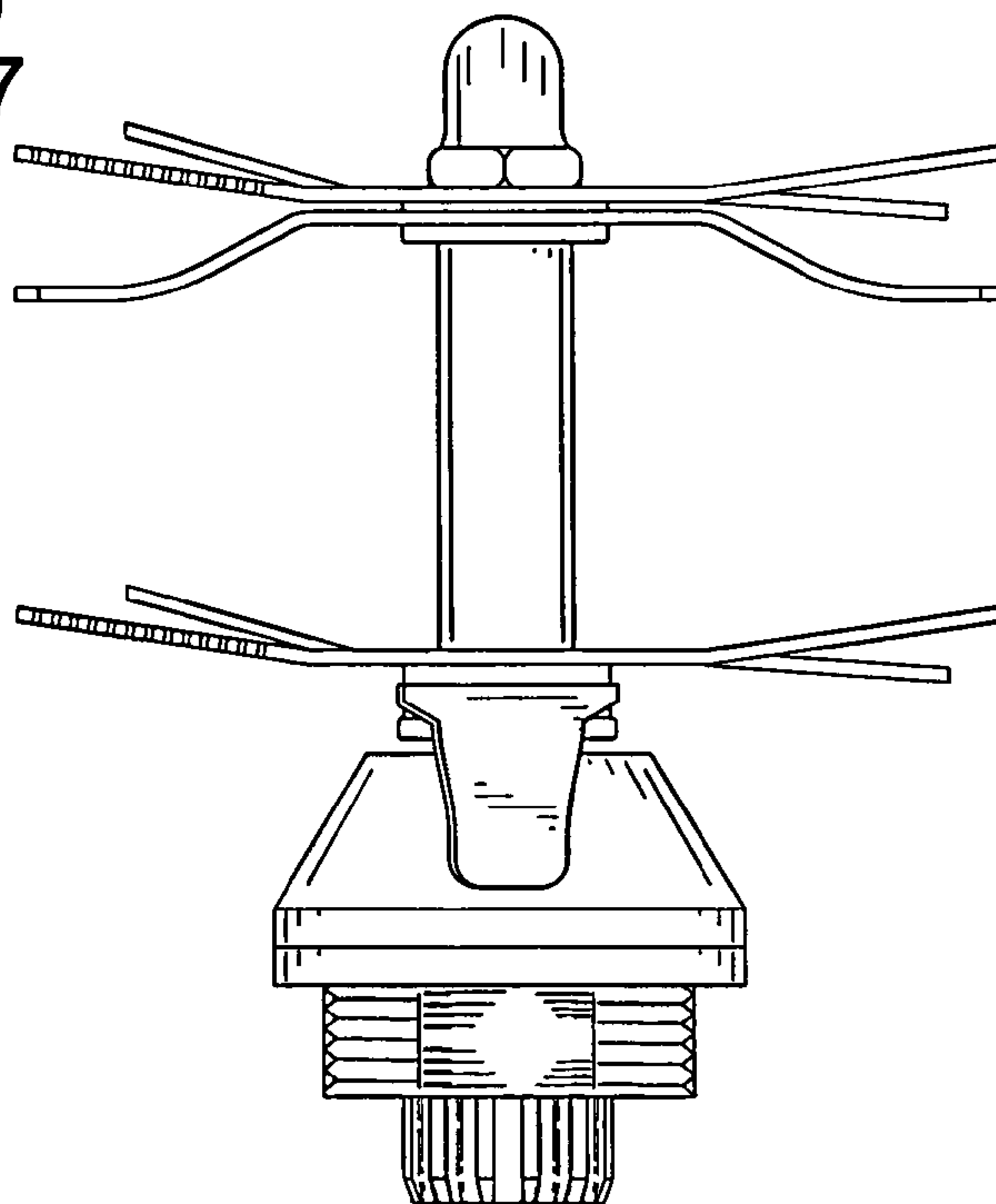


FIG. 8