



US00D682028S

(12) **United States Design Patent**
Preisler

(10) **Patent No.:** **US D682,028 S**

(45) **Date of Patent:** **** May 14, 2013**

(54) **GAS BURNER**

(71) Applicant: **Victor Preisler**, Hermosa Beach, CA
(US)

(72) Inventor: **Victor Preisler**, Hermosa Beach, CA
(US)

(**) Term: **14 Years**

(21) Appl. No.: **29/436,522**

(22) Filed: **Nov. 6, 2012**

(51) **LOC (9) Cl.** **07-02**

(52) **U.S. Cl.**
USPC **D7/407**

(58) **Field of Classification Search** D7/332,
D7/334-337, 402-405, 407, 392.1; 126/25 R,
126/39 C, 41 R, 25 A, 29-30, 25 AA, 9 R,
126/37-38, 40, 39 E, 39 H; 99/481-482;
D26/118; D23/335, 386, 342, 415; 431/264
See application file for complete search history.

(56) **References Cited**

U.S. PATENT DOCUMENTS

D102,760 S *	1/1937	Maul	D7/407
D191,085 S *	8/1961	Kindl	D7/407
D228,766 S *	10/1973	Stobrer	D23/415
D236,418 S *	8/1975	Duperow	D7/407
5,397,234 A *	3/1995	Kwiatek	431/264

D369,517 S *	5/1996	Ferlin	D7/407
D439,801 S *	4/2001	Measom	D7/407
D468,963 S *	1/2003	Pai	D7/407
D524,105 S *	7/2006	Poltronieri	D7/407
D534,767 S *	1/2007	Tseng	D7/407
D544,753 S *	6/2007	Tseng	D7/407
D564,296 S *	3/2008	Koch et al.	D7/407
D581,214 S *	11/2008	Rosa et al.	D7/407

* cited by examiner

Primary Examiner — T. Chase Nelson

Assistant Examiner — Mark Cavanna

(74) *Attorney, Agent, or Firm* — QuickPatents; Kevin Prince

(57) **CLAIM**

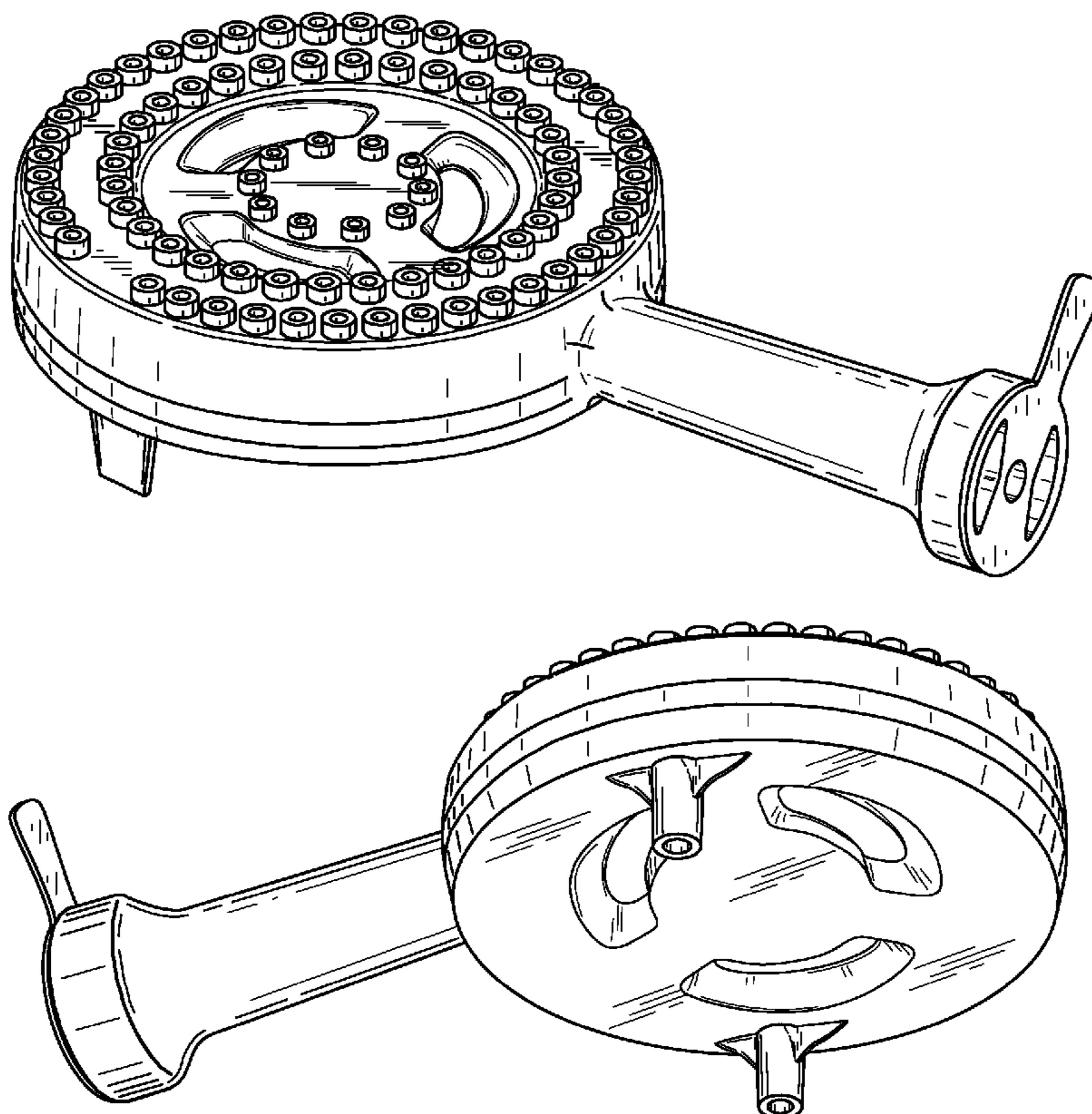
I claim the ornamental design for a gas burner, as shown and described.

DESCRIPTION

FIG. 1 is a top perspective view of a gas burner, showing my new design;
FIG. 2 is a bottom perspective view thereof;
FIG. 3 is a left-side elevational view thereof, the right-side elevational view being a mirror image thereof;
FIG. 4 is a front elevational view thereof;
FIG. 5 is a rear elevational view thereof;
FIG. 6 is a top plan view thereof; and,
FIG. 7 is a bottom plan view thereof.

The broken lines are included for the purpose of illustrating the boundaries of the claimed design. The broken lines and surfaces within them form no part of the claimed design.

1 Claim, 3 Drawing Sheets



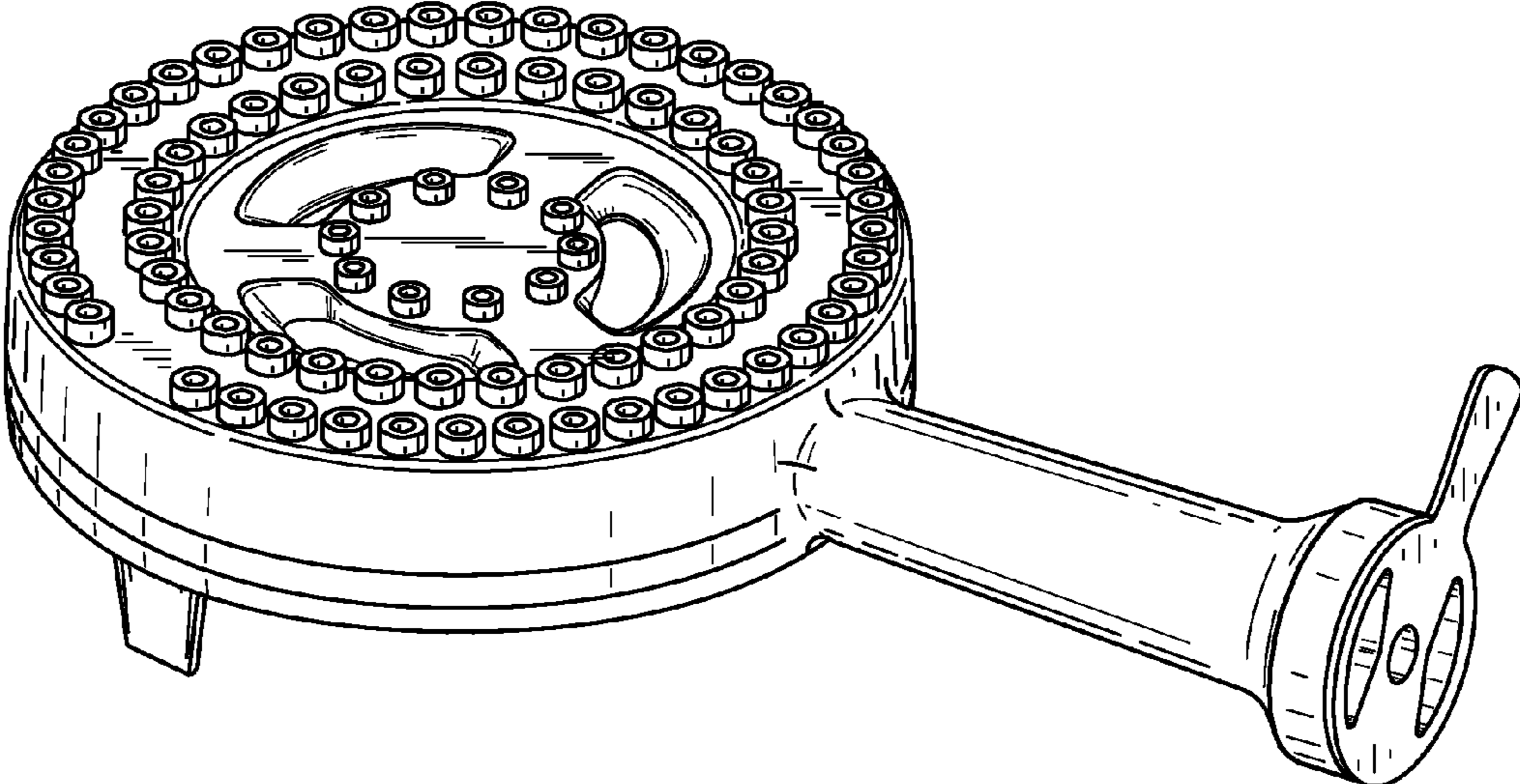


FIG. 1

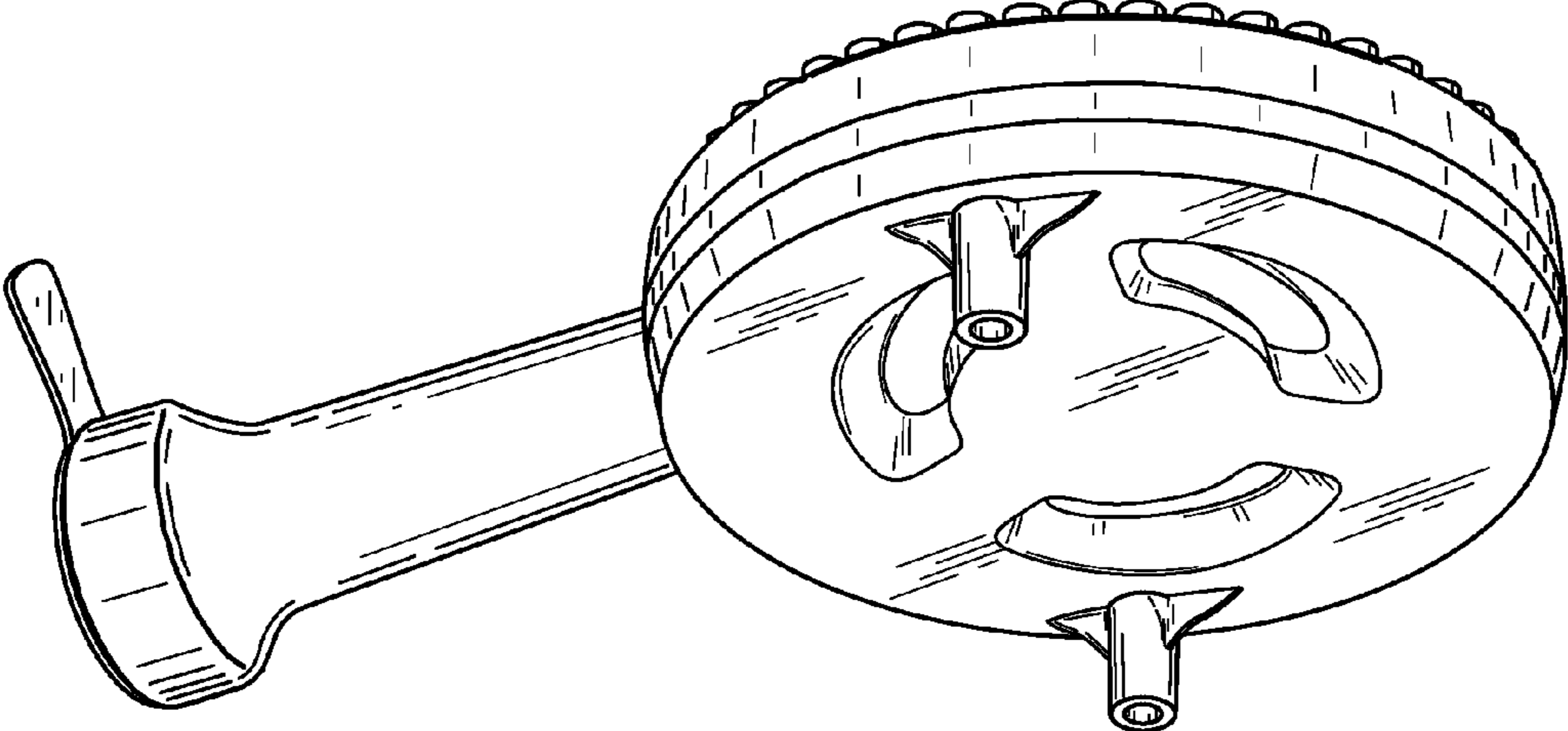


FIG. 2

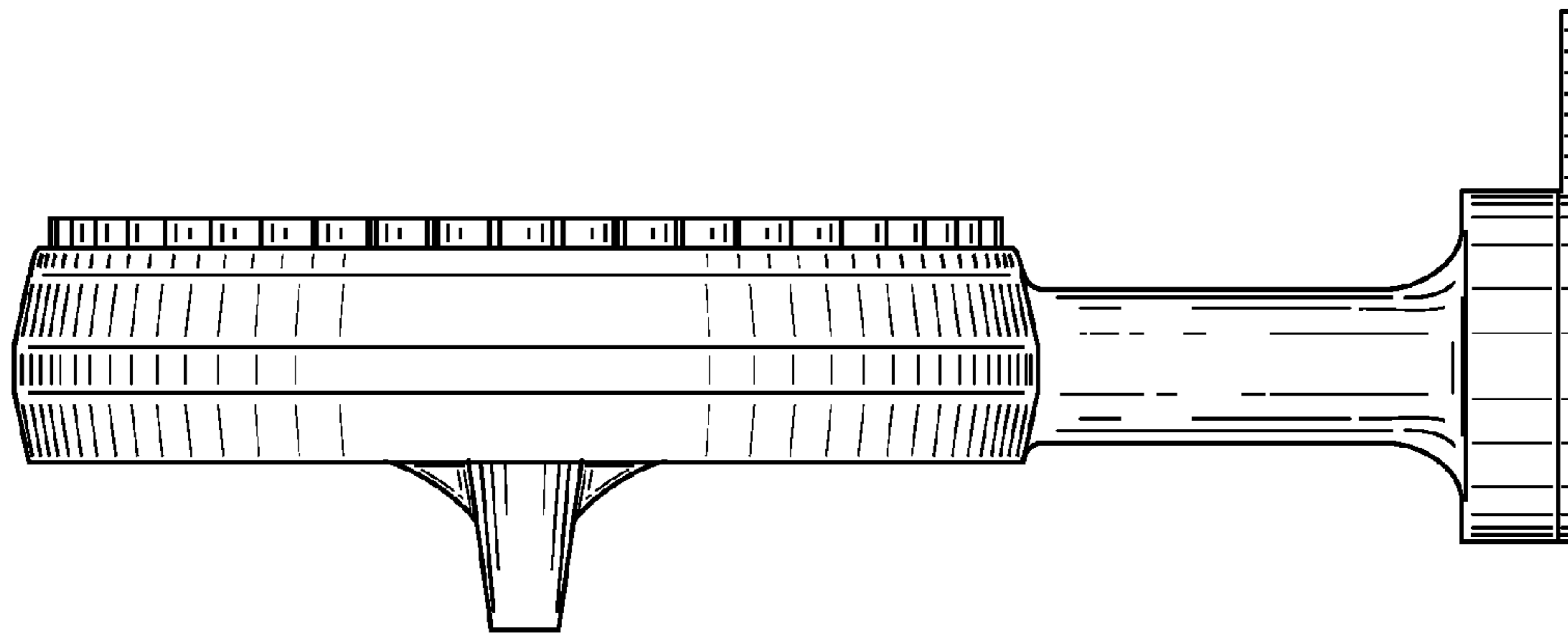


FIG. 3

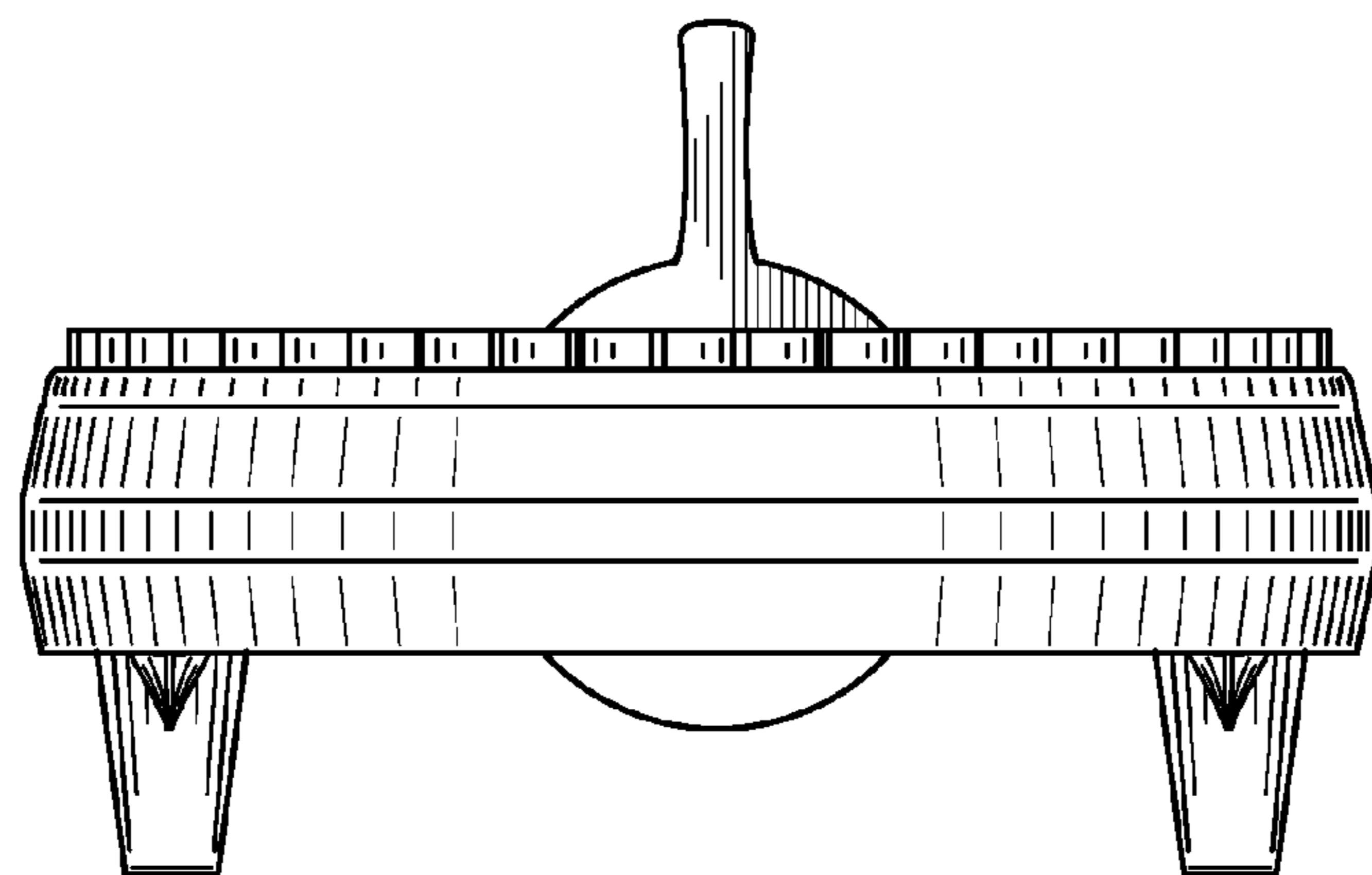


FIG. 4

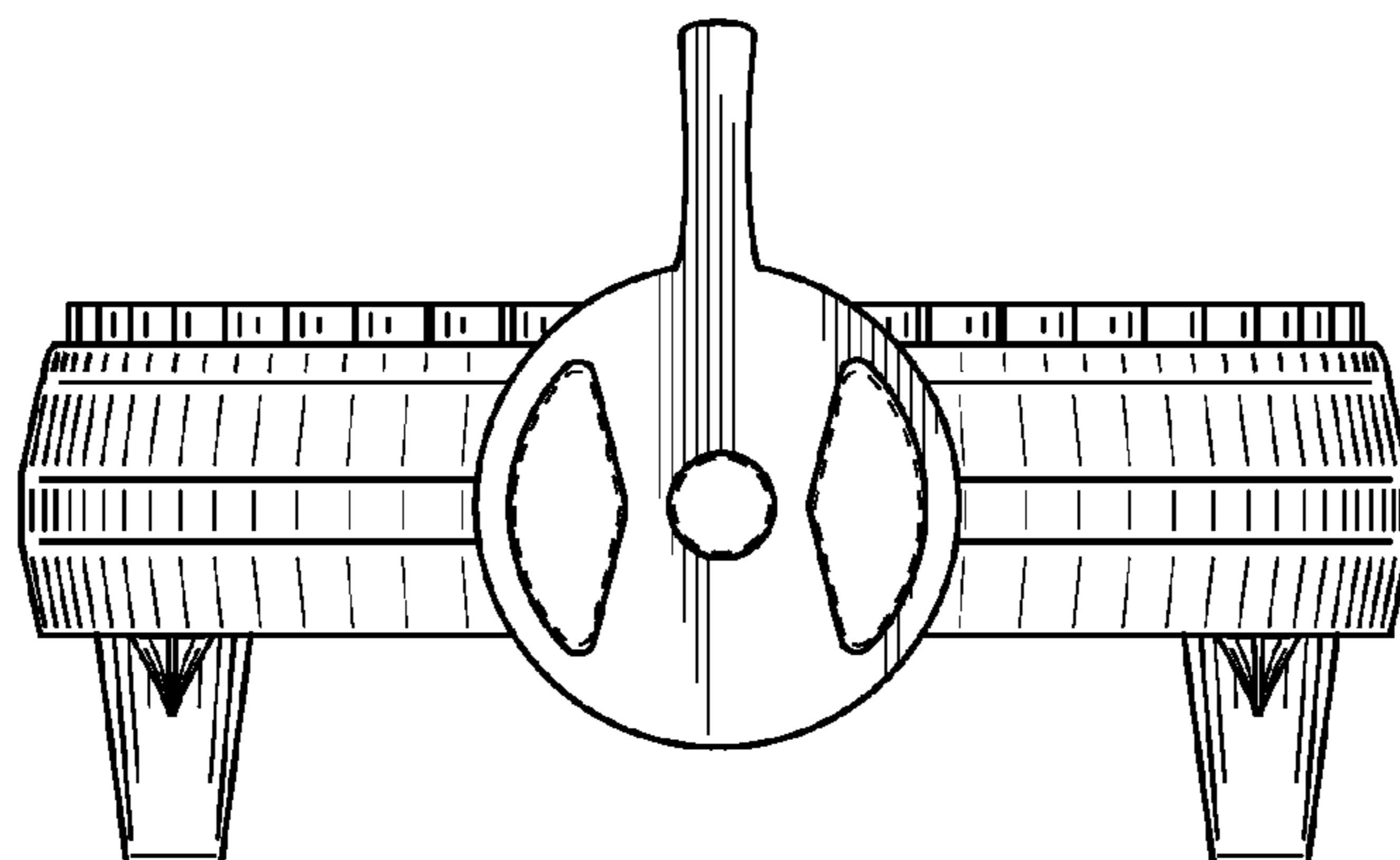


FIG. 5

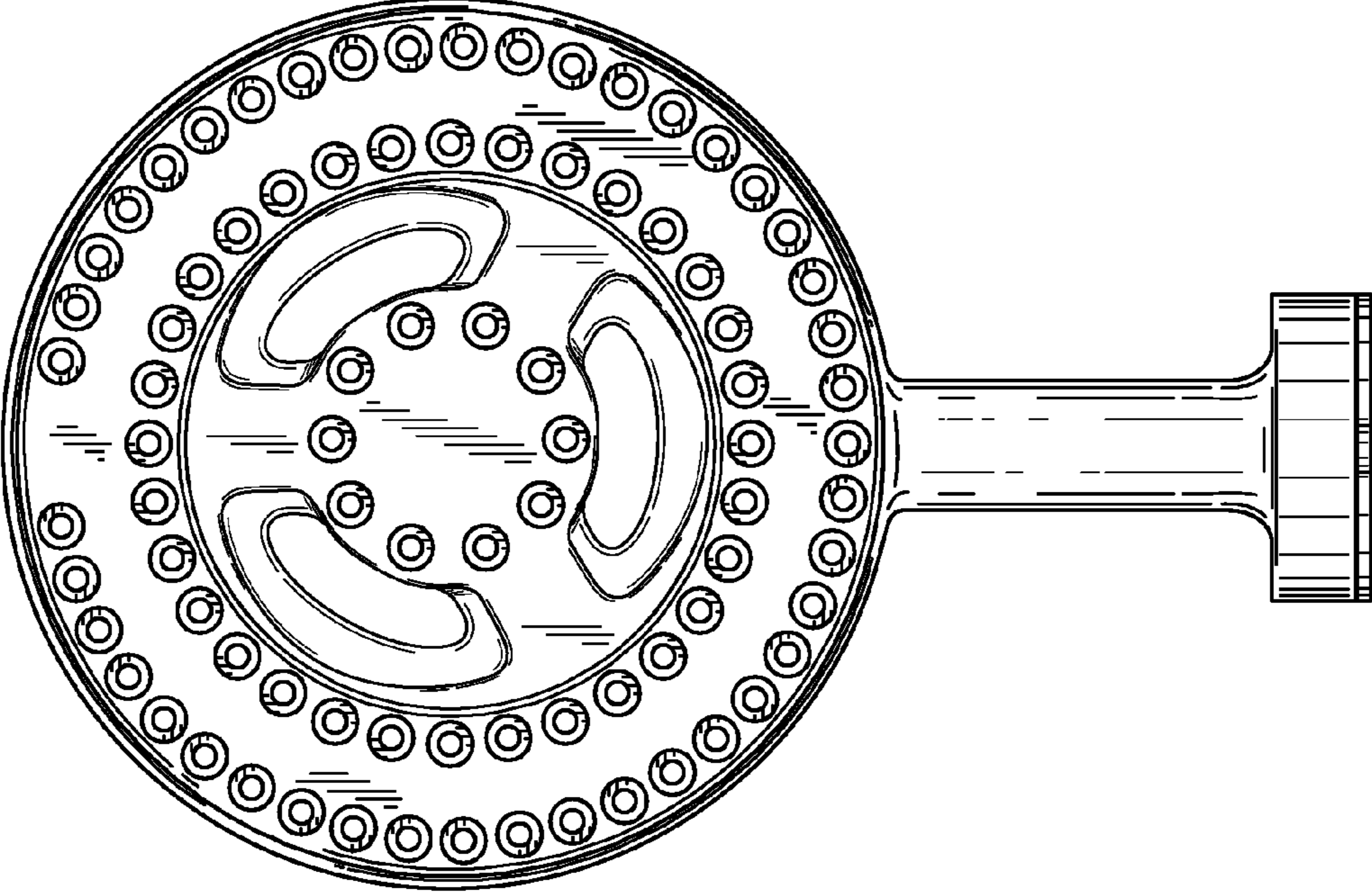


FIG. 6

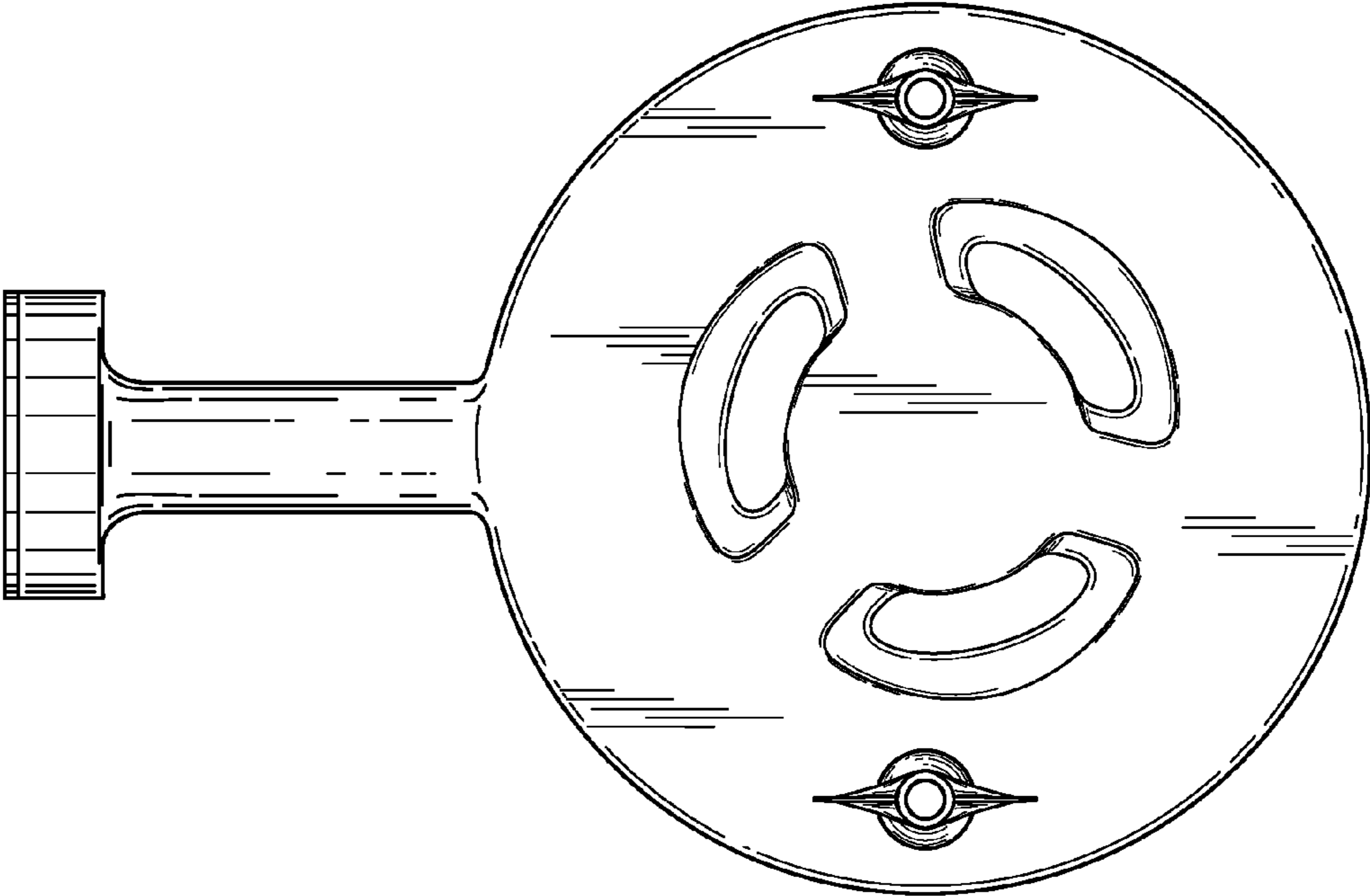


FIG. 7