



US00D682027S

(12) **United States Design Patent**
Grassia

(10) **Patent No.:** **US D682,027 S**

(45) **Date of Patent:** **** May 14, 2013**

(54) **ESPRESSO MACHINE STEAM PADDLE
LEVER**

D585,692 S * 2/2009 Borin D7/309
D593,356 S * 6/2009 Grassia D7/309
D633,746 S * 3/2011 Lam D7/309

(75) Inventor: **Robert Grassia**, Summer Hill (AU)

* cited by examiner

(73) Assignee: **Breville Pty Ltd**, Botany, New South
Wales (AU)

Primary Examiner — Cynthia Underwood

(74) *Attorney, Agent, or Firm* — Michael Molins

(**) Term: **14 Years**

(21) Appl. No.: **29/399,025**

(57) **CLAIM**

The ornamental design for an espresso machine steam paddle lever, as shown and described.

(22) Filed: **Aug. 8, 2011**

(51) **LOC (9) Cl.** **07-01**

(52) **U.S. Cl.**
USPC **D7/397**

(58) **Field of Classification Search** D7/306,
D7/307, 308, 309, 310, 311, 397, 387; 99/297,
99/299, 300

See application file for complete search history.

DESCRIPTION

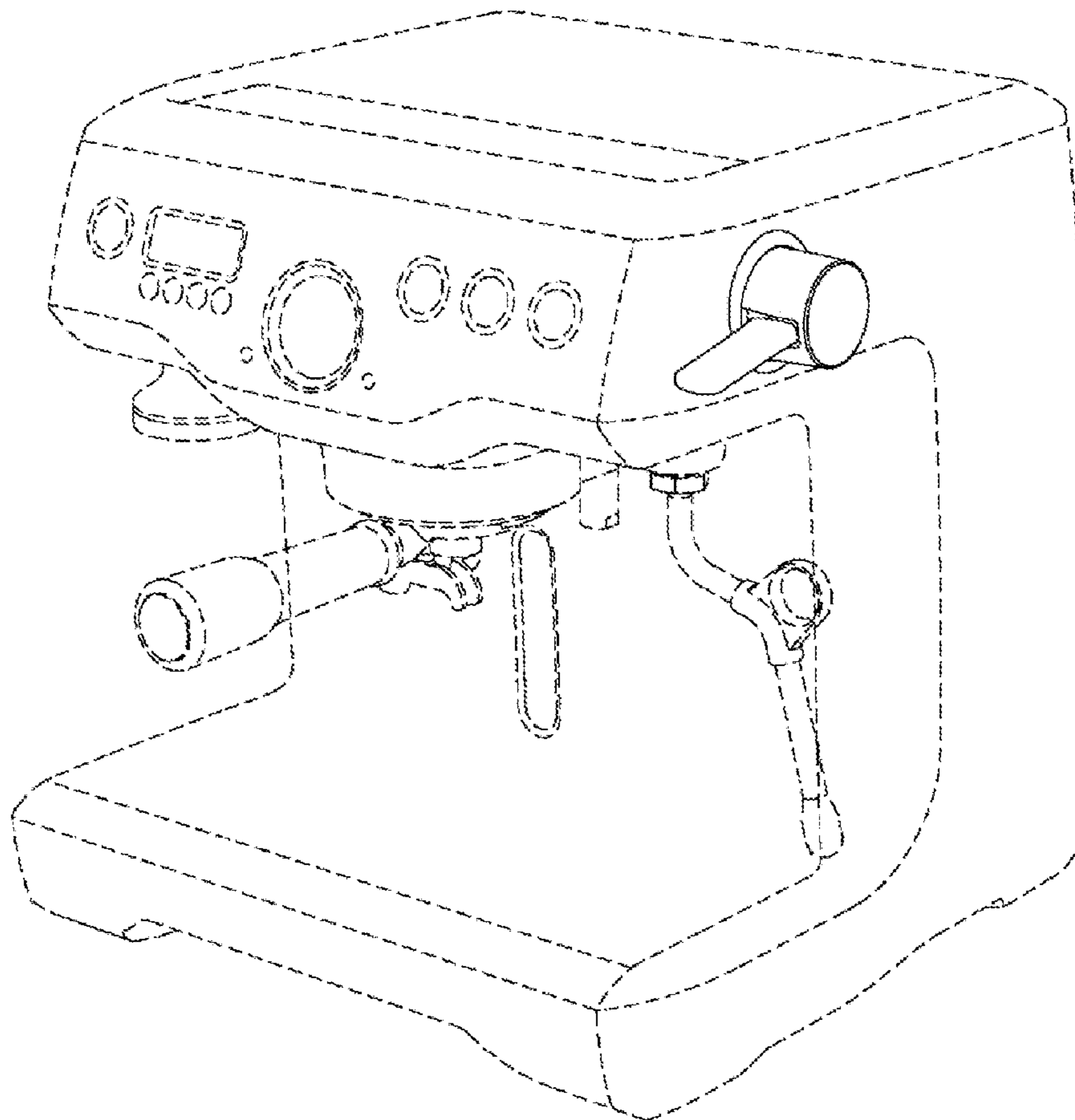
FIG. 1 is a back view of an espresso machine steam paddle lever showing my new design;
FIG. 2 is a front view thereof;
FIG. 3 is a right side view thereof;
FIG. 4 is a top view thereof;
FIG. 5 is a bottom view thereof; and,
FIG. 6 is a right side perspective view thereof.
The broken lines shown in the drawings are for illustrative purposes only and form no part of the claimed design

(56) **References Cited**

U.S. PATENT DOCUMENTS

D431,750 S * 10/2000 Cahen D7/309
D547,608 S * 7/2007 Schneider D7/397
D575,977 S * 9/2008 Rose D7/309

1 Claim, 6 Drawing Sheets



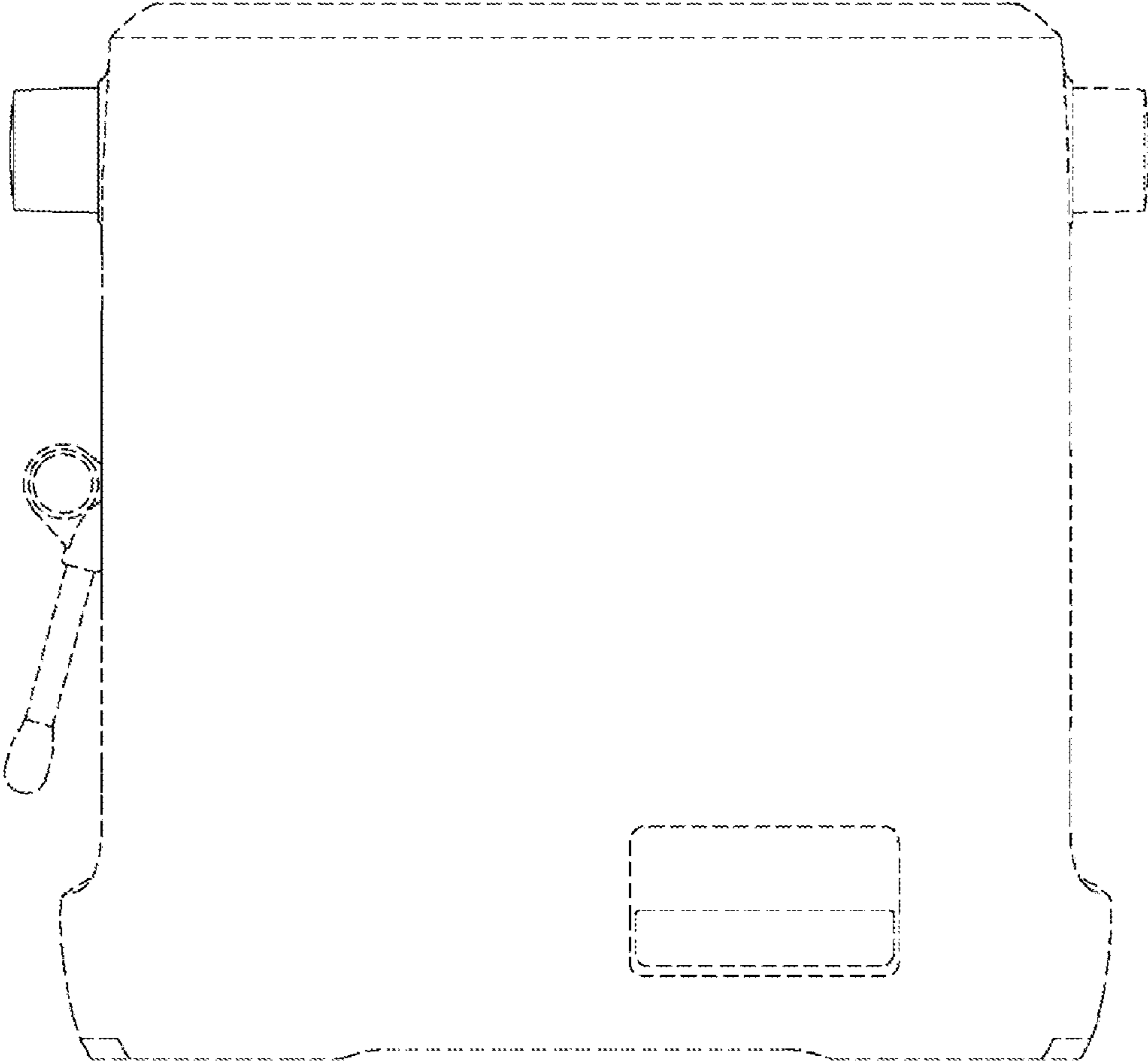


FIG. 1

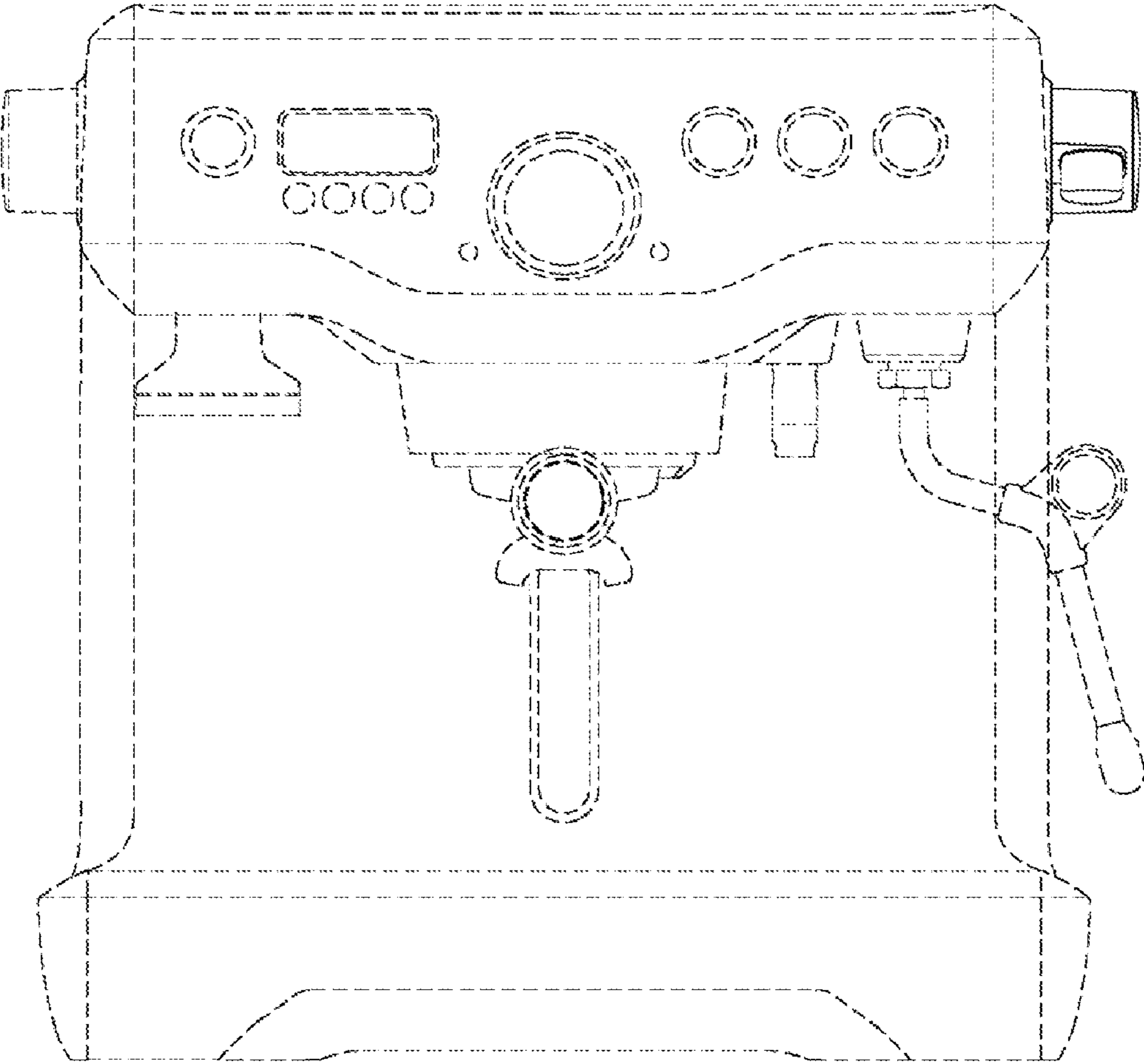


FIG. 2

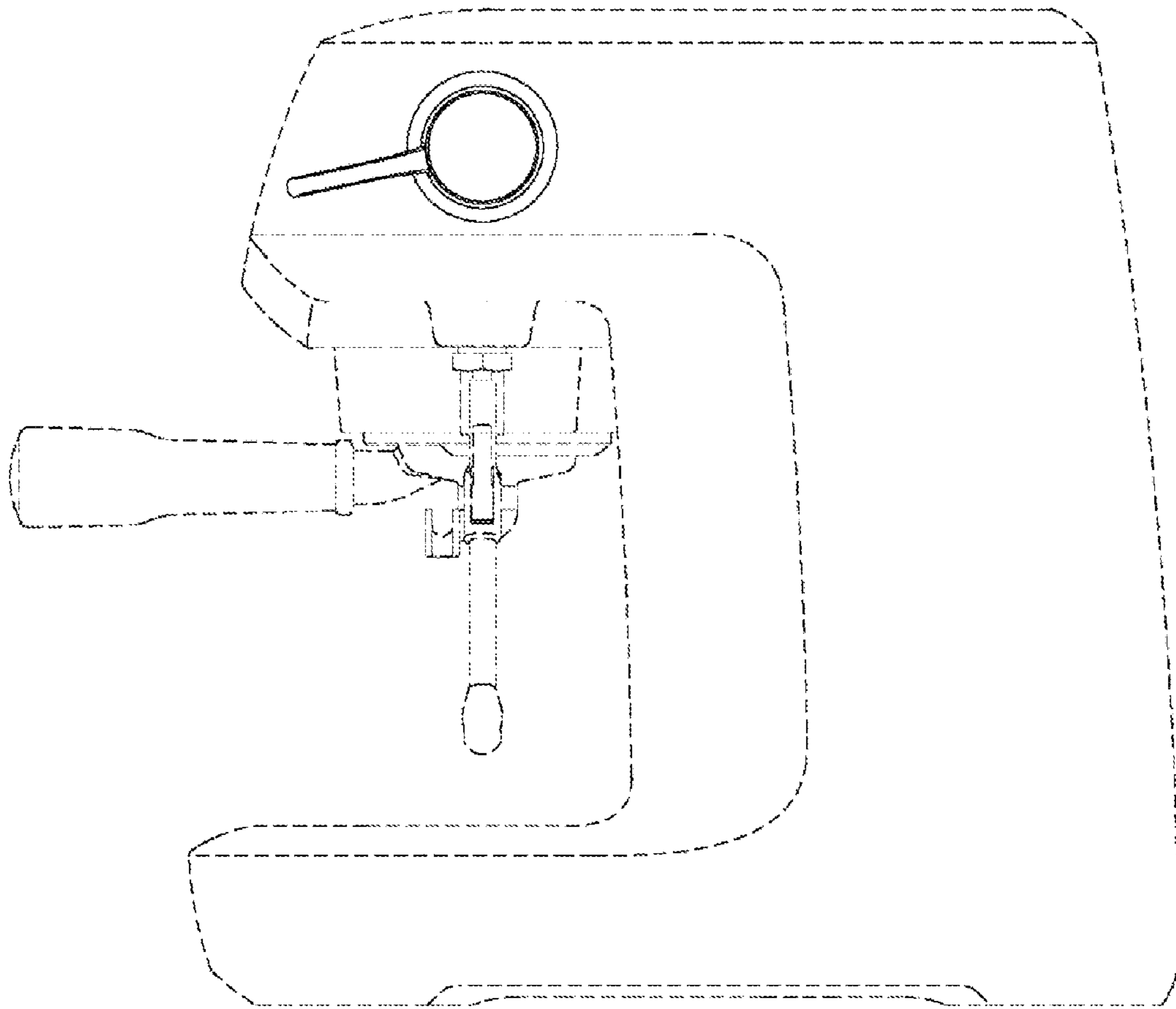


FIG. 3

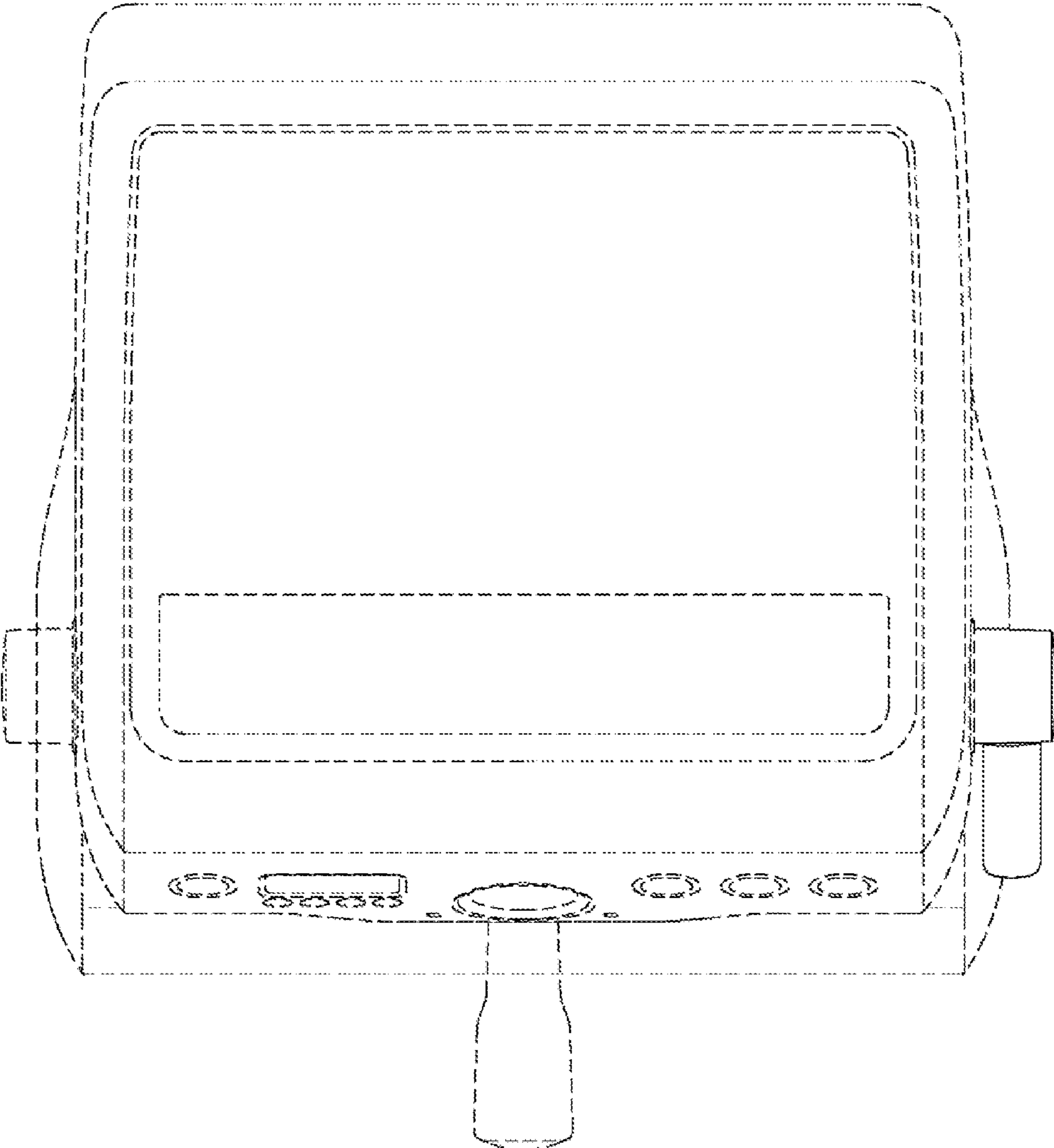


FIG. 4

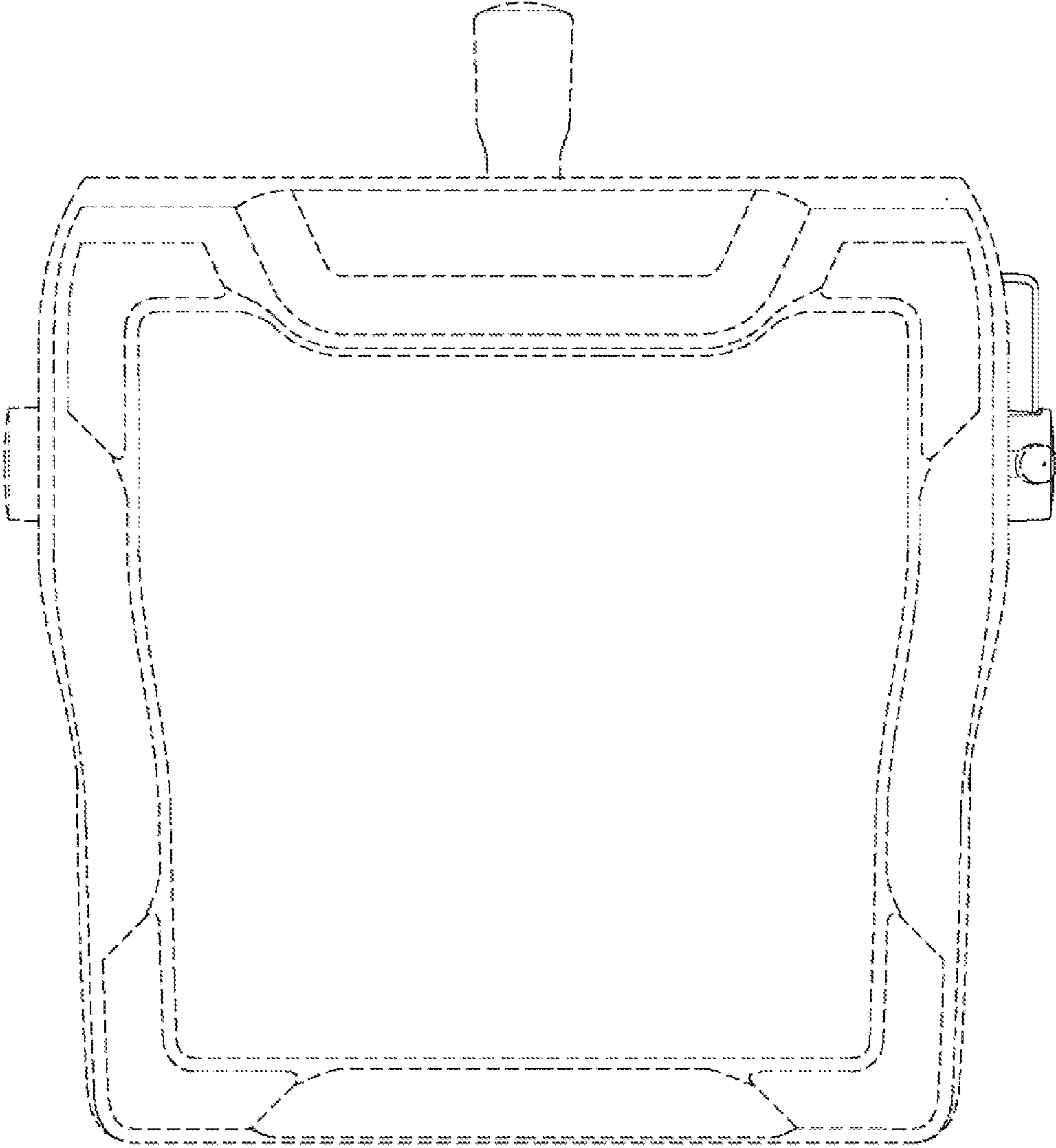


FIG. 5

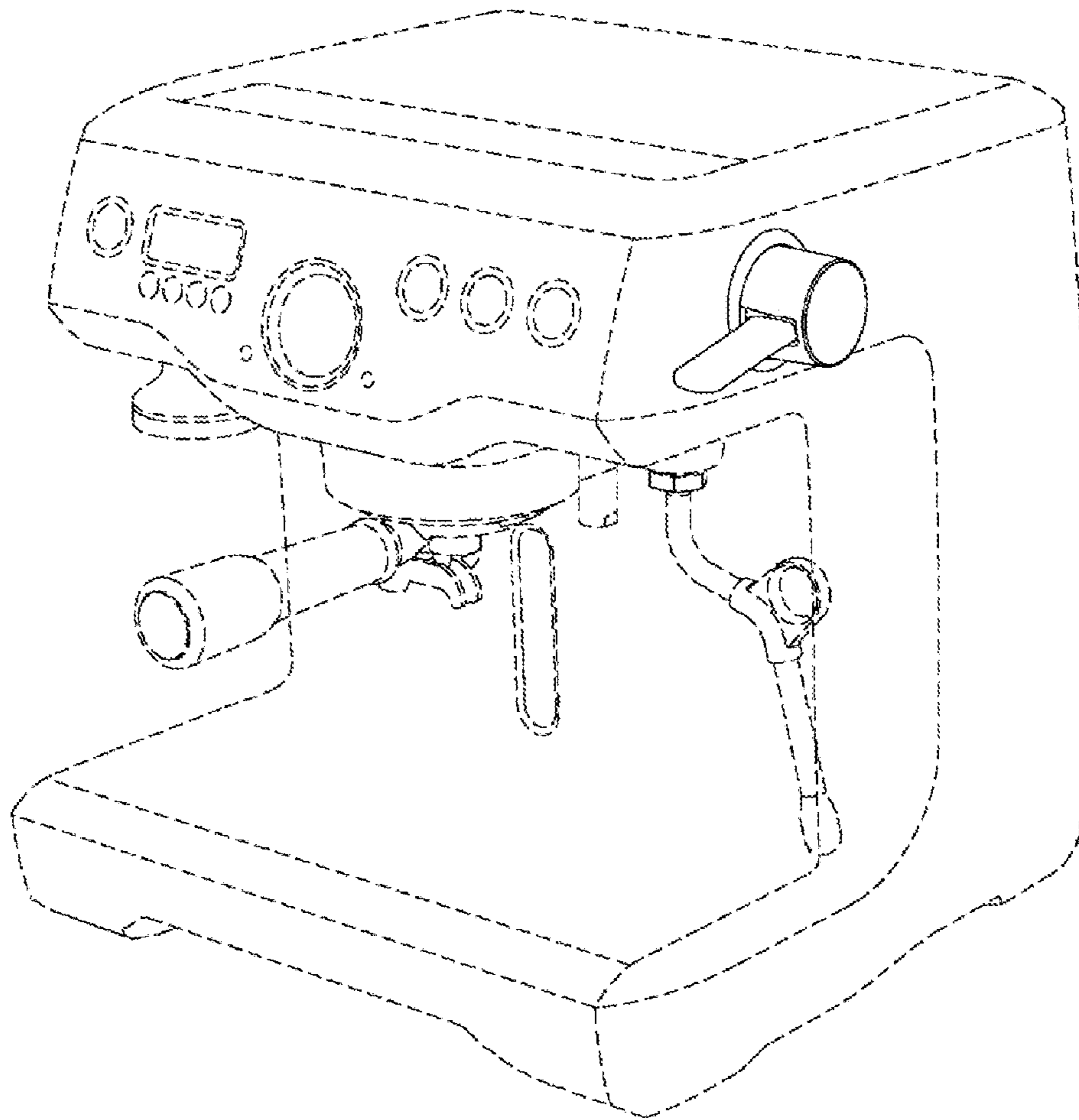


FIG. 6