



US00D682017S

(12) **United States Design Patent**
Smiedt et al.

(10) **Patent No.:** **US D682,017 S**

(45) **Date of Patent:** **** May 14, 2013**

(54) **BOTTLE CAP**

(75) Inventors: **Richard Smiedt**, New York, NY (US);
Karim Rashid, New York, NY (US)

(73) Assignee: **Move Collective LLC**, New York, NY
(US)

(**) Term: **14 Years**

(21) Appl. No.: **29/403,184**

(22) Filed: **Oct. 3, 2011**

(51) **LOC (9) Cl.** **07-02**

(52) **U.S. Cl.**
USPC **D7/392.1; D9/446**

(58) **Field of Classification Search** D7/391,
D7/392, 392.1, 396.2, 509-511, 523, 900;
D9/443, 446, 447, 449, 450, 505; 215/11.6,
215/44, 224, 229, 306, 311; 220/3.75, 23.83,
220/212.5, 292, 714, 705; 222/83, 420, 450,
222/530, 543

See application file for complete search history.

(56) **References Cited**

U.S. PATENT DOCUMENTS

1,430,843	A	10/1922	Paull et al.	
1,924,242	A	8/1933	Kaye	
D187,757	S *	4/1960	Mart	D9/446
D193,121	S *	6/1962	Wickman	D9/446
3,416,688	A	12/1968	Fanning	
3,877,598	A	4/1975	Hazard	
4,728,037	A	3/1988	Mainhardt	
D312,779	S	12/1990	Tacconelli	
D326,796	S *	6/1992	Kawano	D7/510
D332,215	S	1/1993	Halvorson	
D338,404	S *	8/1993	Engelmohr et al.	D9/446
D350,268	S	9/1994	Grimm	
D355,332	S *	2/1995	Landivar et al.	D7/510

D356,260	S *	3/1995	Frank	D9/446
5,400,928	A	3/1995	Resnick	
D361,922	S	9/1995	Van Dyk	
D389,743	S	1/1998	Rausch	
D404,646	S	1/1999	Black, Sr. et al.	
D417,339	S *	12/1999	Miller	D3/318
D422,503	S	4/2000	Lehn	
6,247,616	B1	6/2001	Weiler et al.	
6,302,286	B1	10/2001	Witherspoon	
6,409,220	B1	6/2002	Wing et al.	
D478,005	S *	8/2003	Sali	D9/446

(Continued)

Primary Examiner — Susan E Krakower

(74) Attorney, Agent, or Firm — LaBatt, LLC

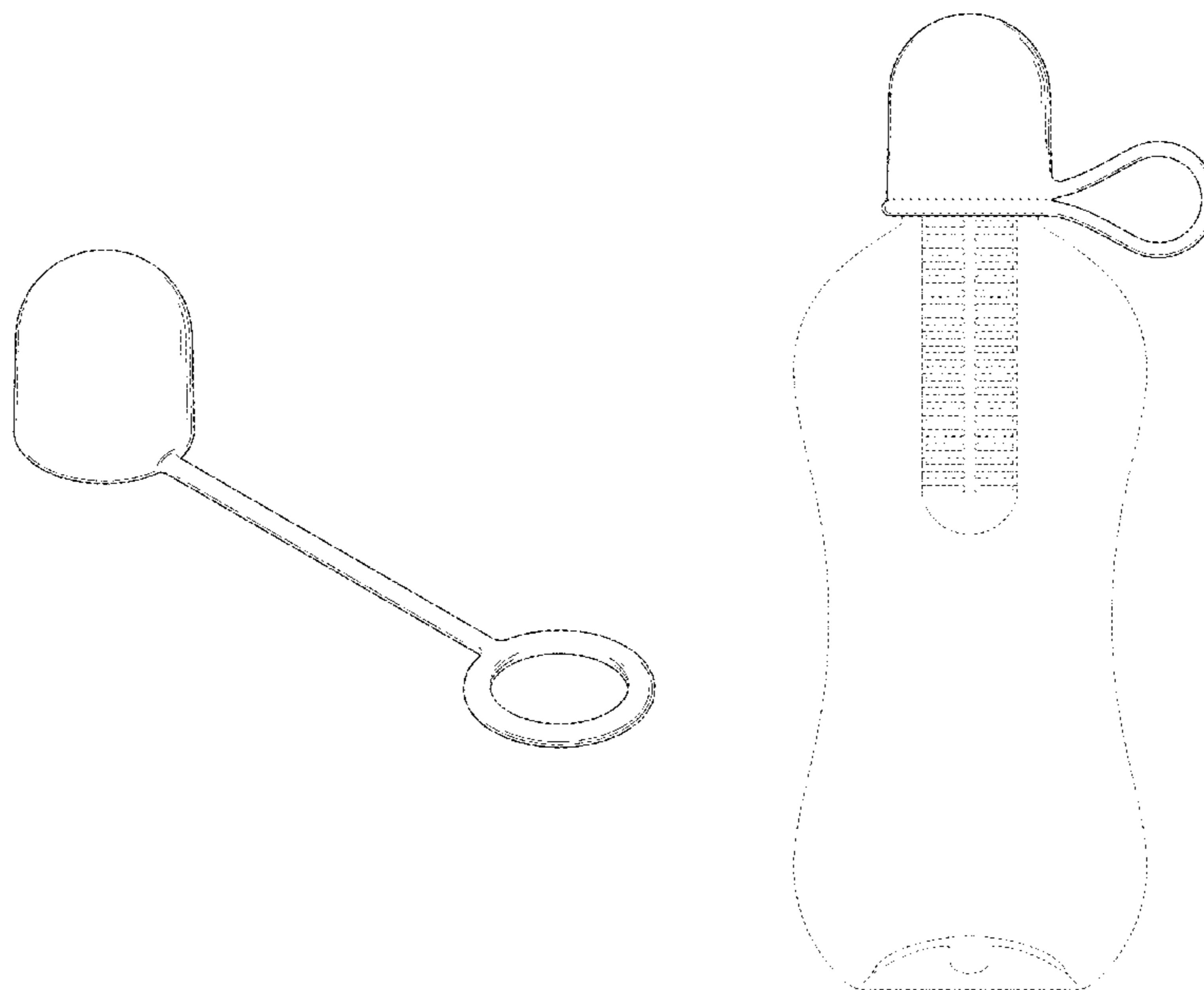
(57) **CLAIM**

The ornamental design for the bottle cap, as shown and described.

DESCRIPTION

FIG. 1 is a perspective view of a bottle cap in an open configuration according to the present design.
 FIG. 2 is a top plan view in an open configuration.
 FIG. 3 is a left side view in an open configuration.
 FIG. 4 is a front view in an open configuration.
 FIG. 5 is a right side view in an open configuration.
 FIG. 6 is a bottom view in an open configuration.
 FIG. 7 is a perspective view of a bottle cap in a closed configuration according to the present design.
 FIG. 8 is a front view in a closed configuration.
 FIG. 9 is a right side view in a closed configuration.
 FIG. 10 is a left side view in a closed configuration.
 FIG. 11 is a top plan view in a closed configuration; and,
 FIG. 12 is a bottom view in a closed configuration.
 The broken lines illustrate environmental structure and form no part of the claimed design.

1 Claim, 7 Drawing Sheets



US D682,017 S

Page 2

U.S. PATENT DOCUMENTS

D510,270 S	10/2005	Khalifa		7,748,579 B1	7/2010	Shin
D512,874 S *	12/2005	Poulson et al.	D7/510	D621,660 S	8/2010	Smiedt et al.
7,073,686 B2	7/2006	Hanell		D625,146 S	10/2010	George et al.
D530,200 S *	10/2006	Kingsley	D9/446	D631,286 S	1/2011	Smiedt et al.
D577,583 S *	9/2008	Porter et al.	D9/447	D640,466 S	6/2011	Staton
7,467,650 B2	12/2008	Massey		2003/0209570 A1	11/2003	Joshi et al.
D584,919 S *	1/2009	Regnart	D7/391	2005/0247714 A1	11/2005	Backes et al.
D601,311 S	9/2009	DeSeguirant, Jr.		2007/0114202 A1	5/2007	Lee
D605,942 S	12/2009	Miksovsky		2007/0199914 A1	8/2007	Hung
D613,599 S	4/2010	Khubani		2009/0001106 A1	1/2009	Massey
D614,440 S *	4/2010	Cresswell et al.	D7/392.1	2009/0134112 A1	5/2009	Reeves
D619,001 S	7/2010	McKinney		2009/0194531 A1	8/2009	Branco

* cited by examiner

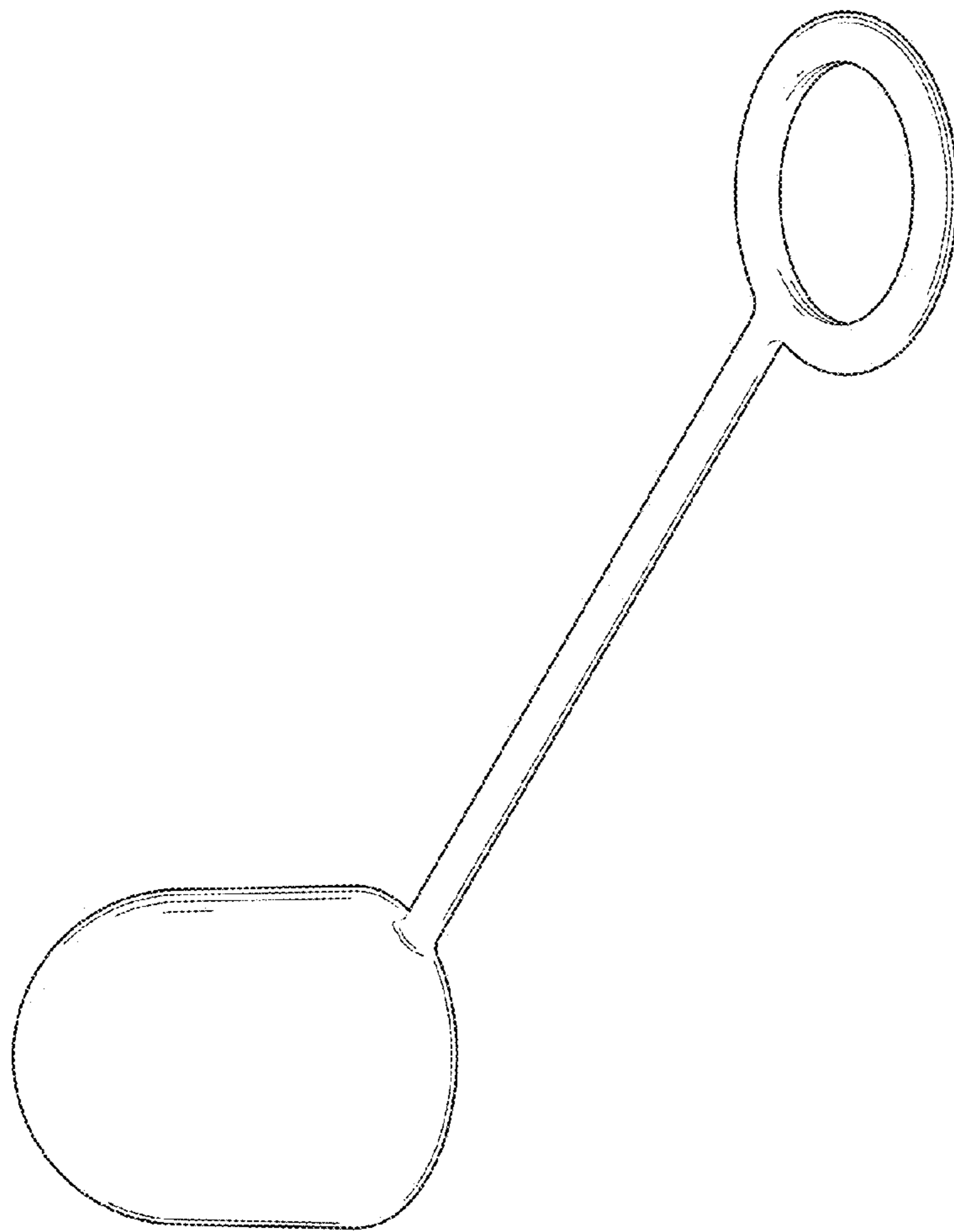


FIG. 1

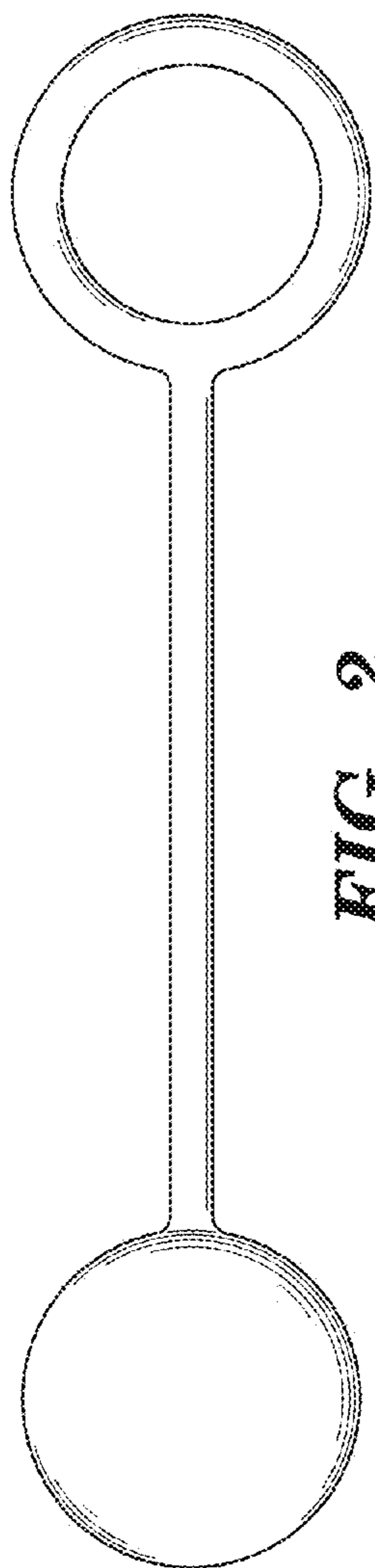


FIG. 2

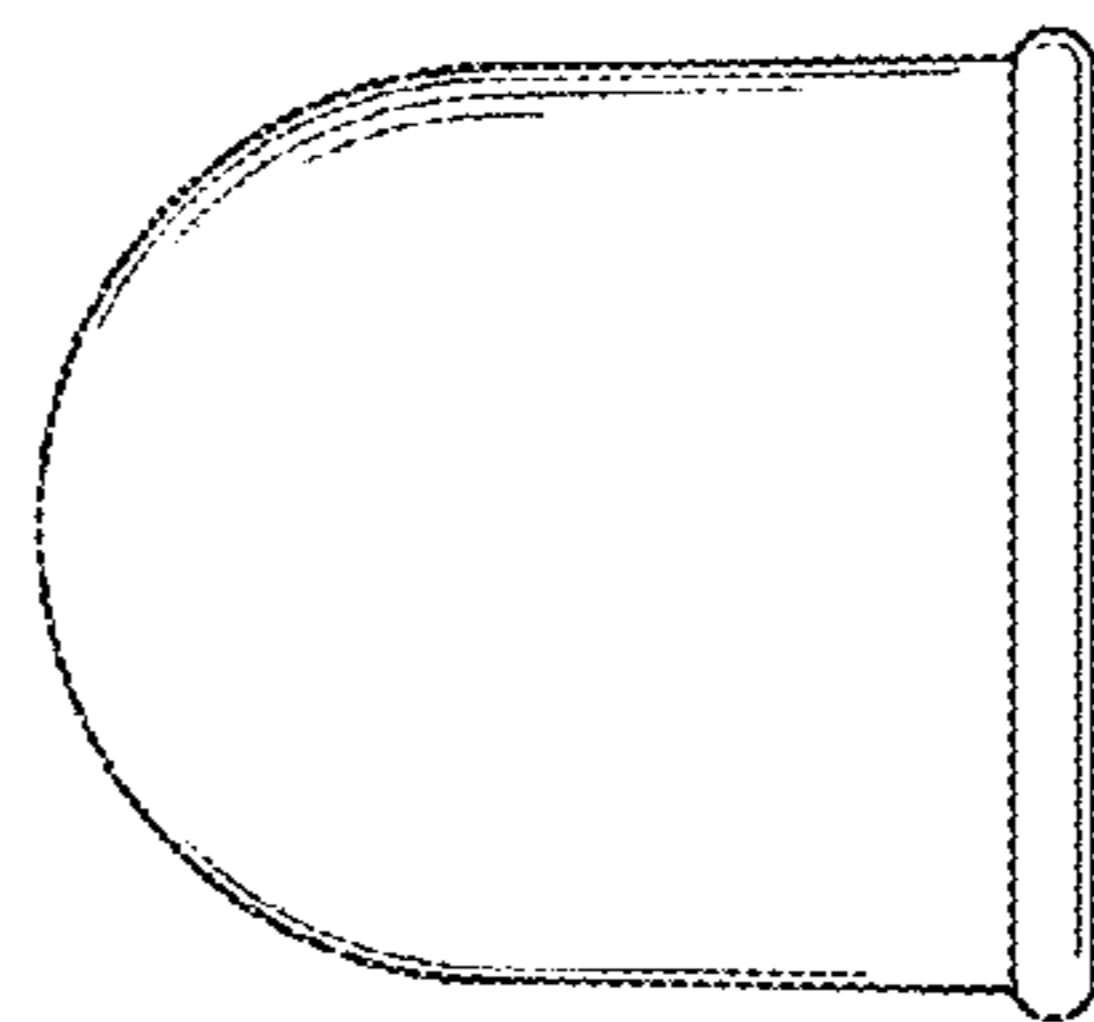


FIG. 5

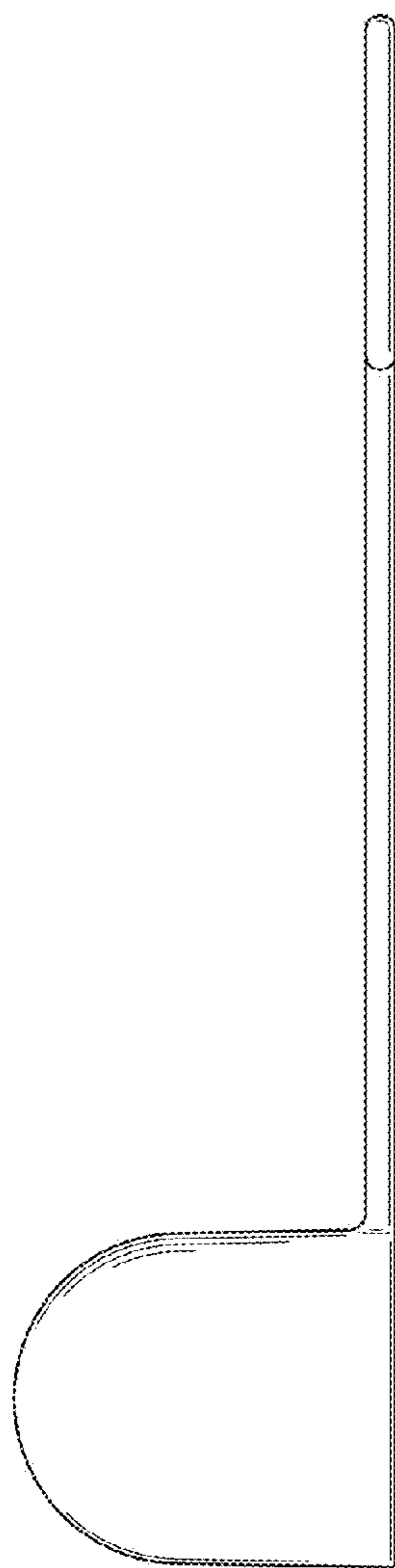


FIG. 3

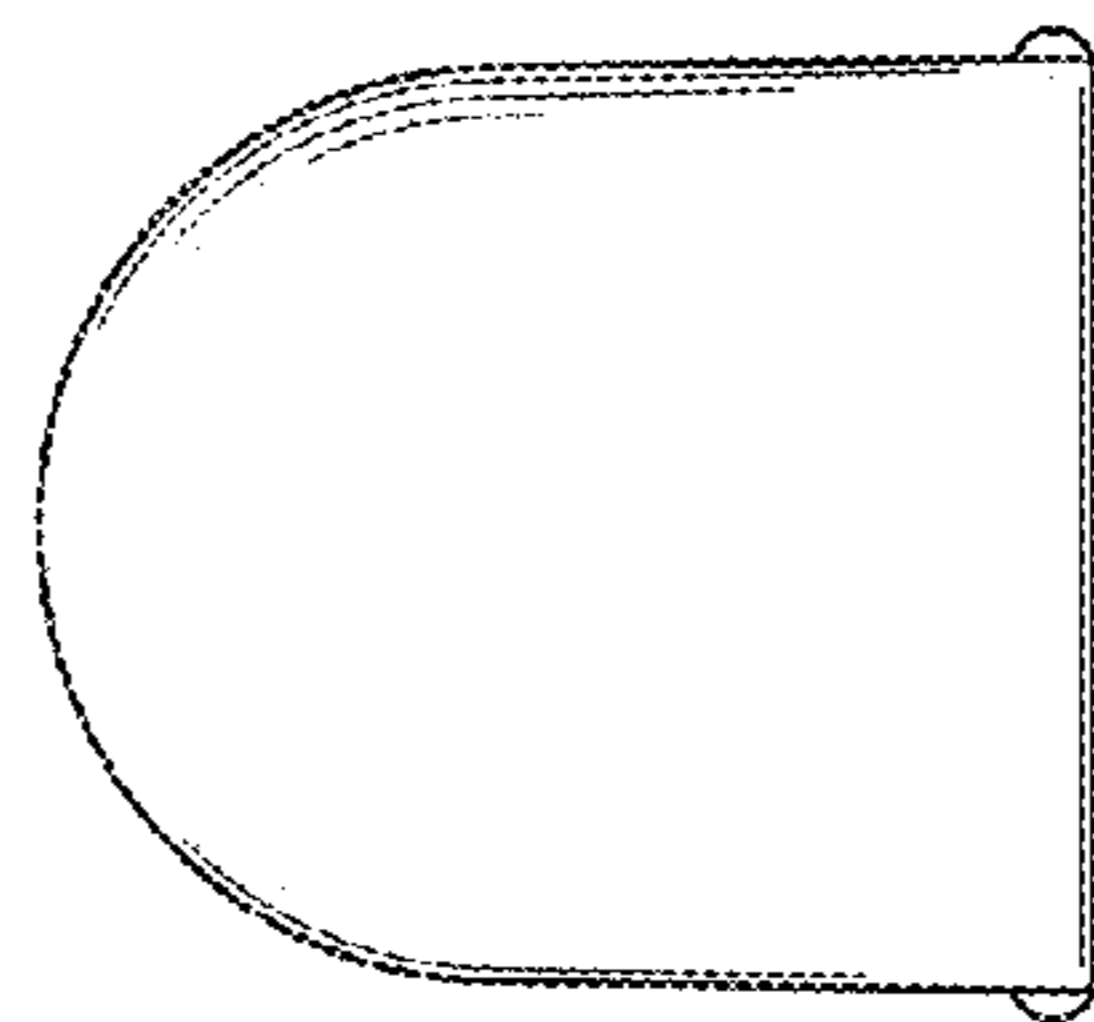


FIG. 4

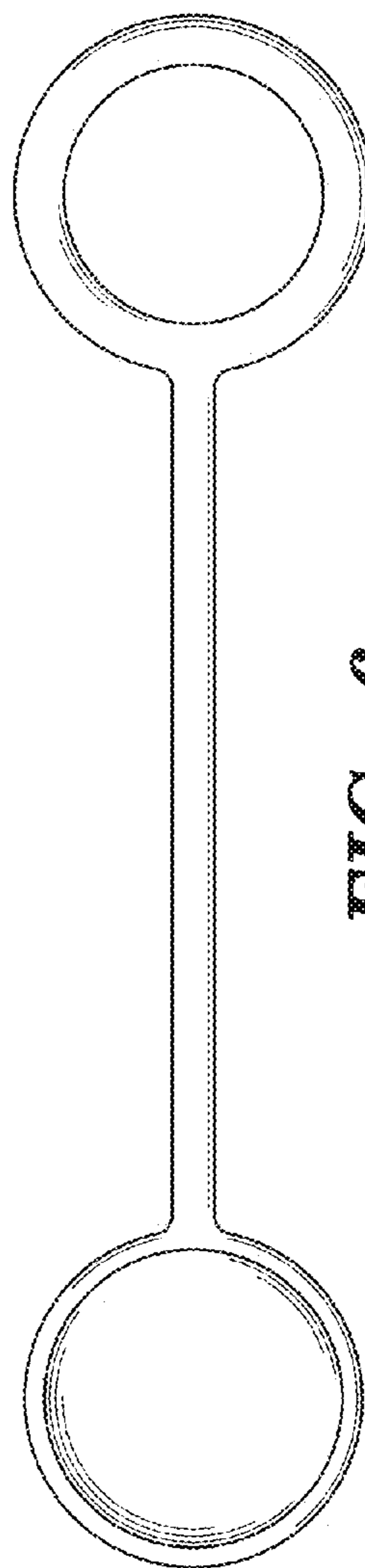


FIG. 6

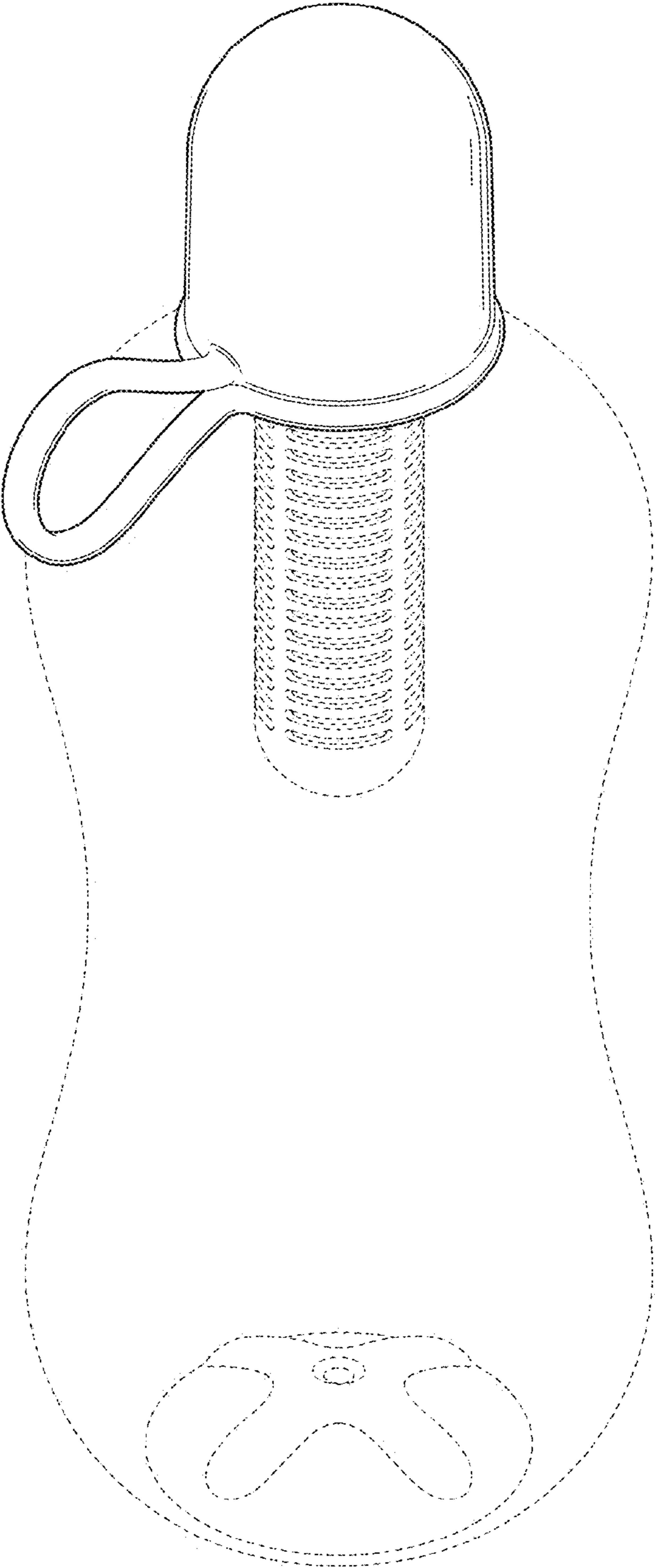


FIG. 7

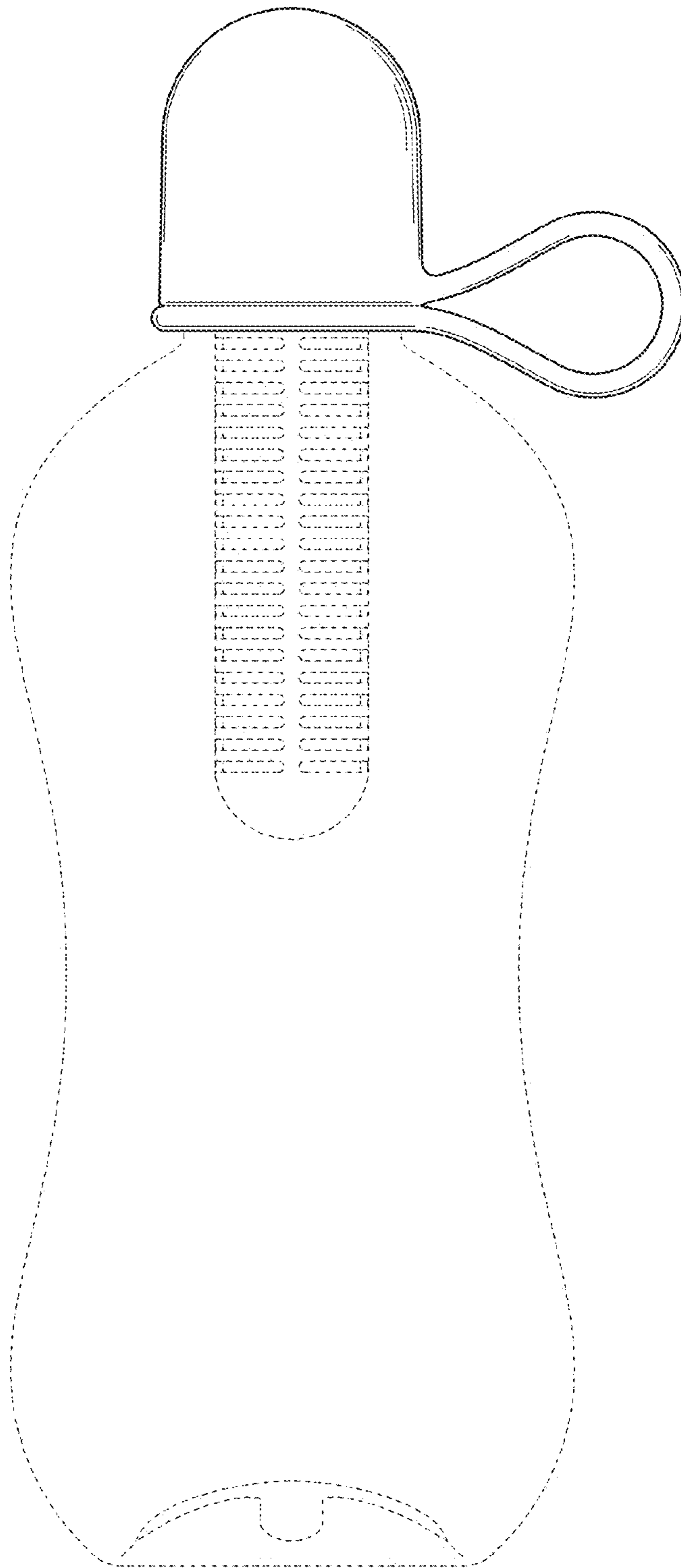


FIG. 8

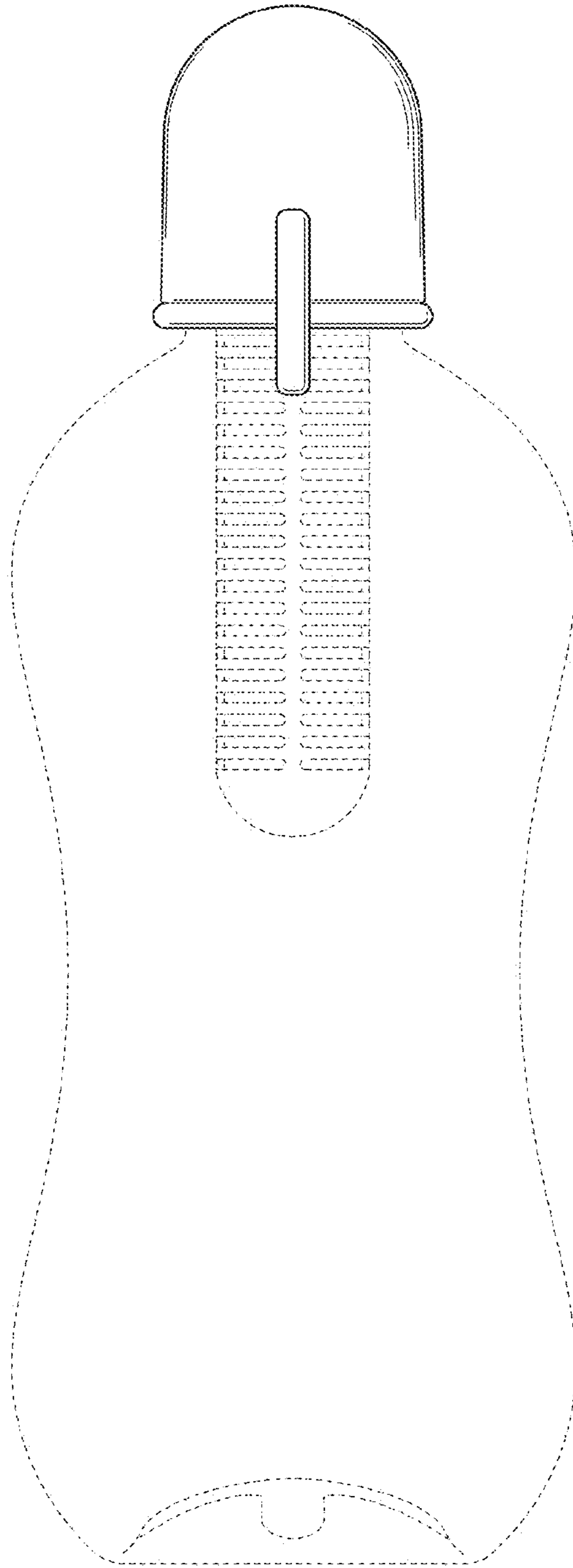


FIG. 9

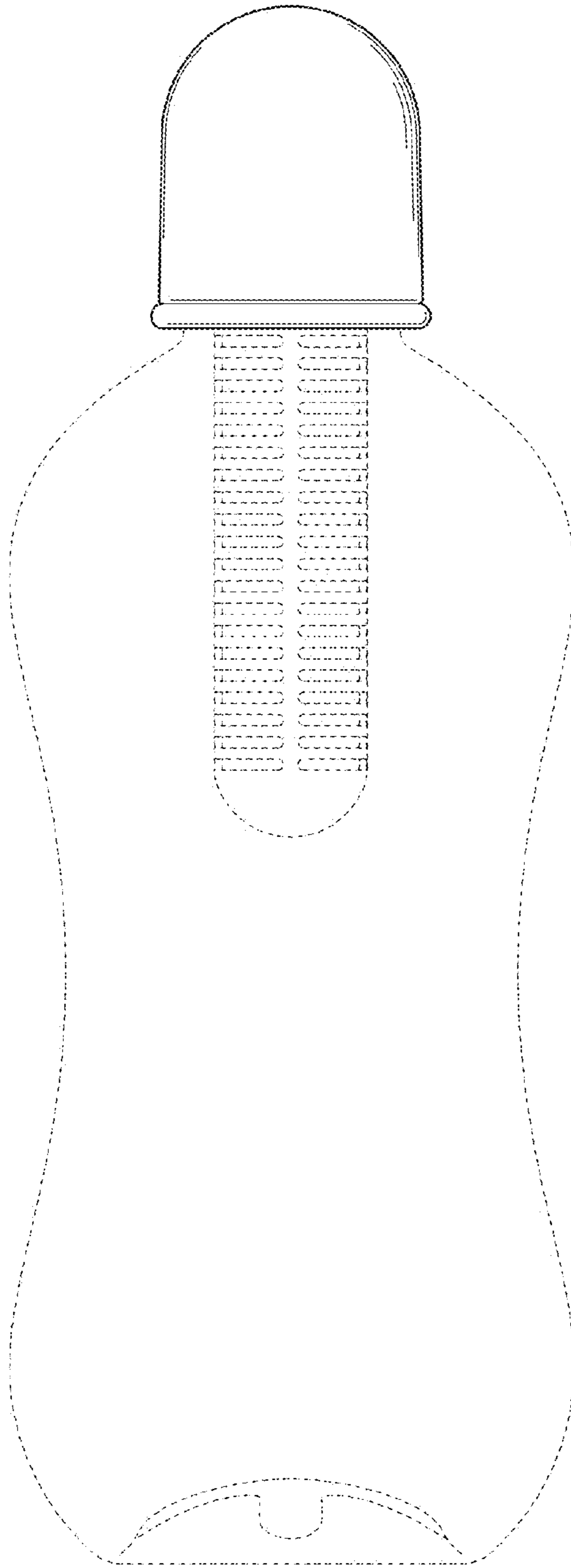


FIG. 10

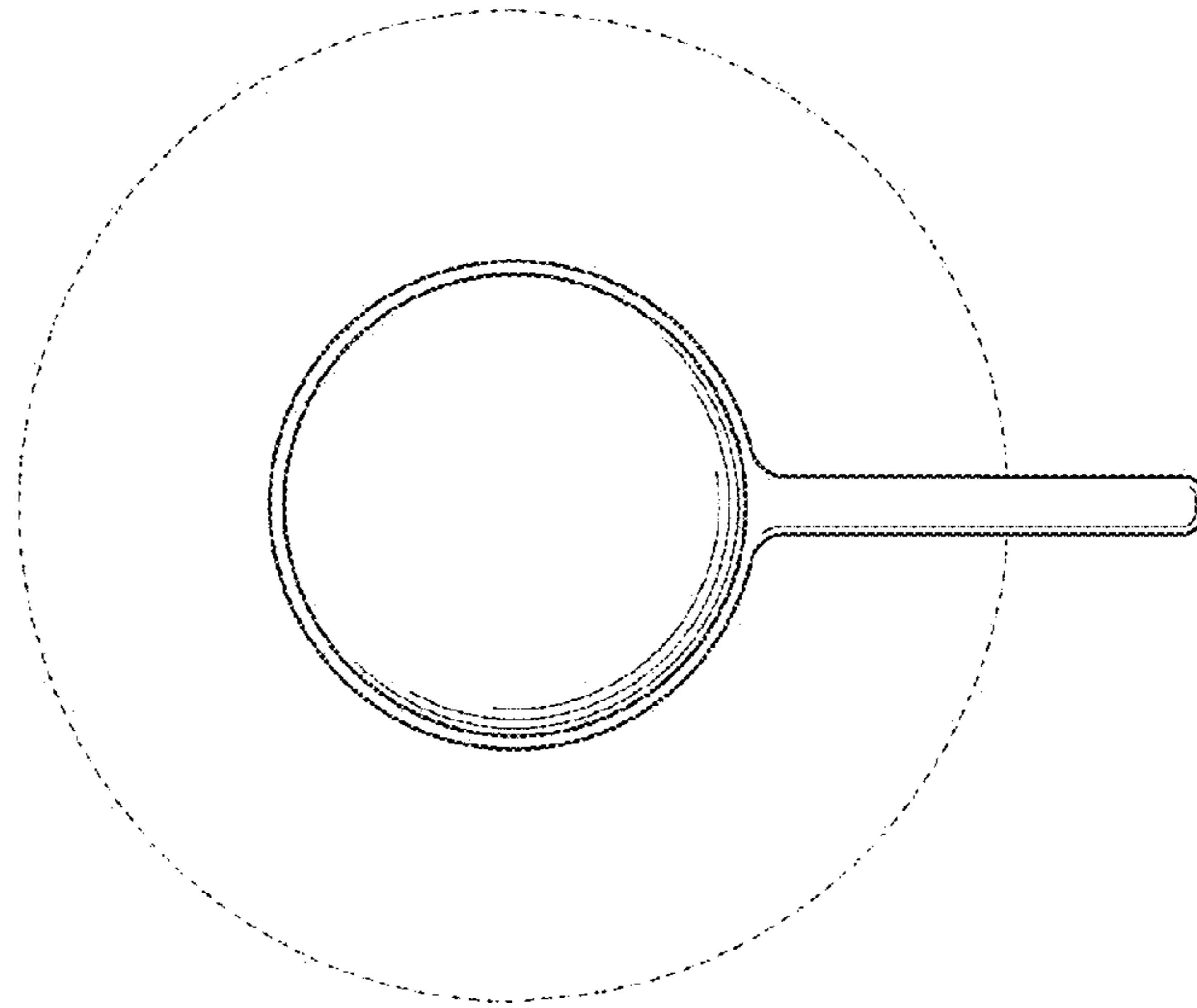


FIG. 11

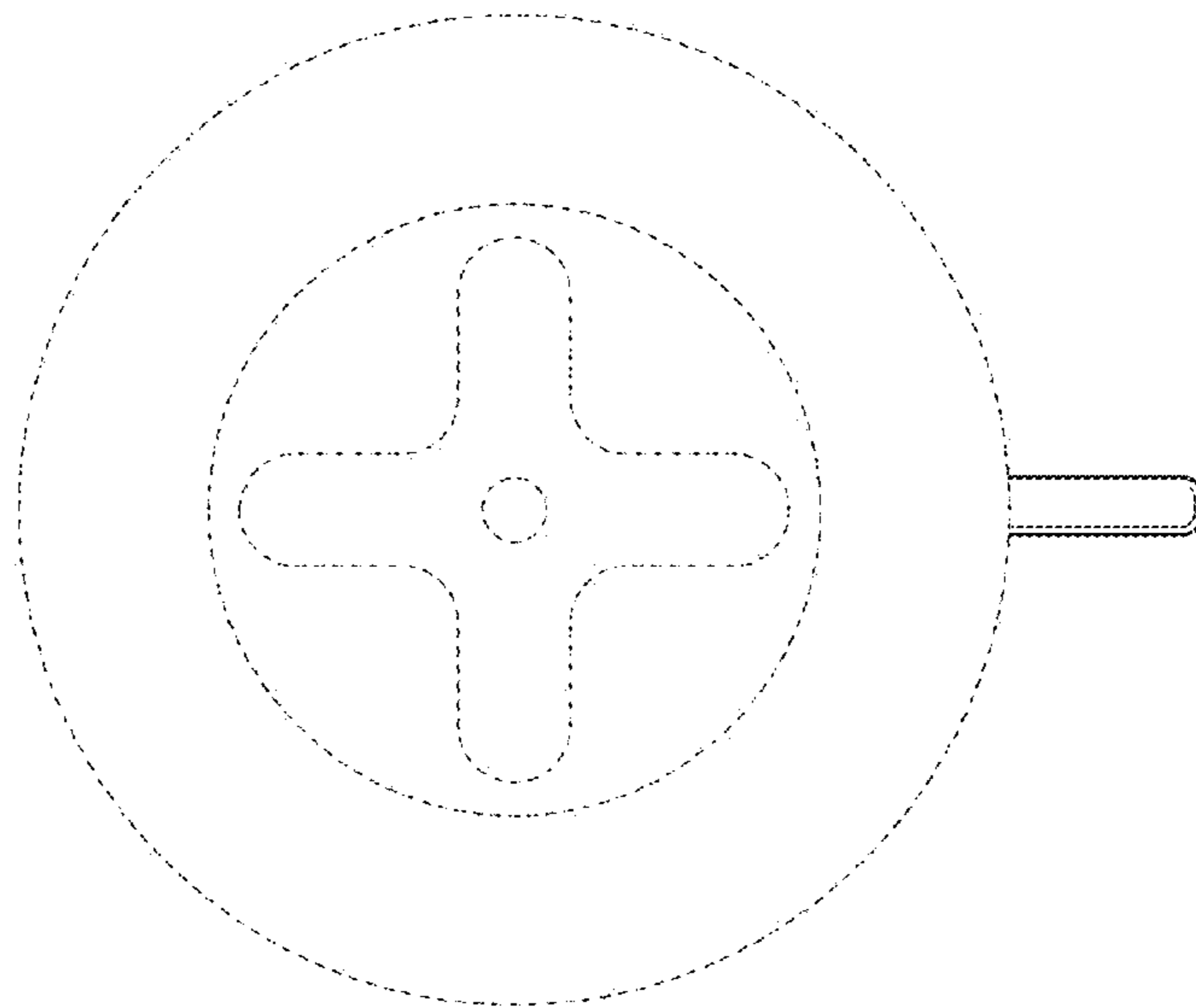


FIG. 12