



US00D682016S

(12) **United States Design Patent**  
**Knight**

(10) **Patent No.:** **US D682,016 S**

(45) **Date of Patent:** **\*\* May 14, 2013**

- (54) **FLIP TOP BOTTLE LID**
- (75) Inventor: **Scott A. Knight**, Lake St. Louis, MO (US)
- (73) Assignee: **Global Advantage Trading and Imports, LLC**, Lake St. Louis, MO (US)
- (\*\*) Term: **14 Years**
- (21) Appl. No.: **29/380,078**
- (22) Filed: **Nov. 30, 2010**
- (51) **LOC (9) Cl.** ..... **07-02**
- (52) **U.S. Cl.**  
USPC ..... **D7/392.1; D9/443**
- (58) **Field of Classification Search** ..... D7/300,  
D7/387, 391, 392, 392.1, 393, 509, 510, 511,  
D7/538, 629, 900; D9/434, 435, 438, 439,  
D9/440, 443, 447, 448, 449, 452, 453, 454;  
D24/199; 215/12.1, 216, 225, 230, 233,  
215/237, 238, 249, 251, 253, 254, 266, 318,  
215/354, 364; 220/254.3, 254.5, 254.9, 264,  
220/266, 368, 521, 711, 714  
See application file for complete search history.

- D505,294 S 5/2005 Gauss
- D508,185 S 8/2005 Gauss
- D533,396 S \* 12/2006 Lipson ..... D7/392.1
- D571,147 S 6/2008 Rohe
- D592,905 S 5/2009 Pinelli et al.
- D599,616 S 9/2009 Cresswell et al.
- D600,973 S 9/2009 Lane
- D607,267 S \* 1/2010 Molayem ..... D7/358
- D608,640 S 1/2010 Carreno
- D609,964 S 2/2010 Lane
- D610,005 S 2/2010 McKinney
- D612,235 S 3/2010 Cresswell et al.
- D613,110 S 4/2010 Lane et al.
- D614,440 S 4/2010 Cresswell et al.

(Continued)

*Primary Examiner* — Susan E Krakower  
(74) *Attorney, Agent, or Firm* — Stinson Morrison Hecker LLP

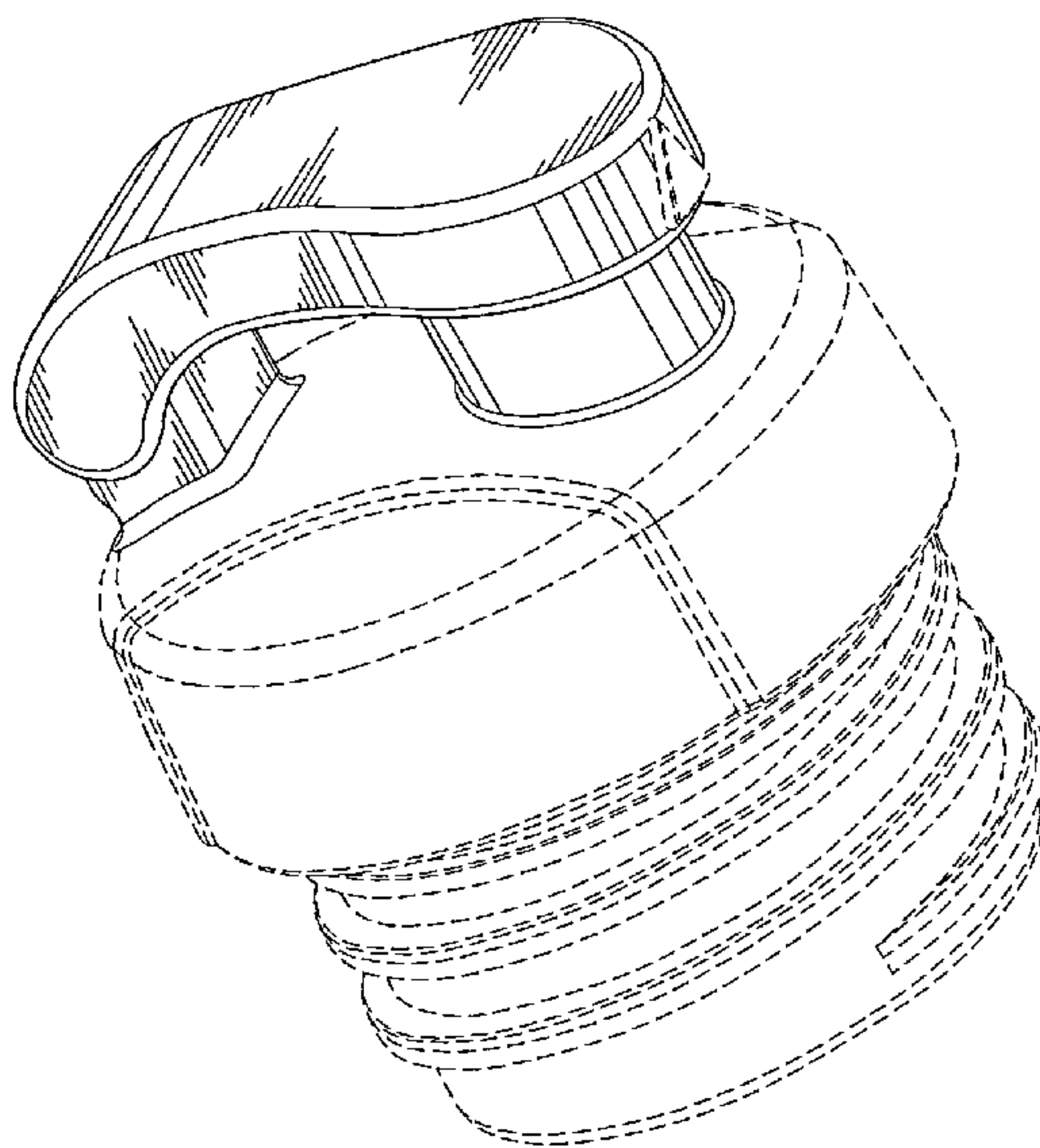
(57) **CLAIM**  
The ornamental design for a flip top bottle lid, as shown and described.

**DESCRIPTION**

FIG. 1 is a left side and front perspective view of the flip top bottle lid;  
FIG. 2 is a front elevational view of the flip top bottle lid of FIG. 1;  
FIG. 3 is a rear elevational view of the flip top bottle lid of FIG. 1;  
FIG. 4 is a left side elevational view of the flip top bottle lid of FIG. 1;  
FIG. 5 is a right side elevational view of the flip top bottle lid of FIG. 1;  
FIG. 6 is a top plan view of the flip top bottle lid of FIG. 1; and,  
FIG. 7 is a bottom plan view of the flip top bottle lid of FIG. 1.  
The broken lines illustrate portions of the flip top bottle lid which form no part of the claimed design.

**1 Claim, 7 Drawing Sheets**

- (56) **References Cited**  
U.S. PATENT DOCUMENTS
- D126,745 S \* 4/1941 Jensen ..... D7/392
- D255,528 S 6/1980 Seager
- D263,805 S 4/1982 Seager
- D393,569 S \* 4/1998 Lai et al. .... D7/392
- D396,190 S 7/1998 Haley
- D396,380 S \* 7/1998 Lai et al. .... D7/392
- D397,613 S 9/1998 Haley
- D417,583 S 12/1999 Demore
- D418,364 S 1/2000 Demore
- D446,419 S \* 8/2001 Ming-Shiue ..... D7/392.1
- D451,392 S \* 12/2001 Kitamura et al. .... D9/447
- D456,669 S \* 5/2002 Munari ..... D7/392.1
- D485,132 S 1/2004 Ohno et al.



# US D682,016 S

Page 2

---

U.S. PATENT DOCUMENTS					
D614,955 S	5/2010	Cresswell et al.		D626,837 S	11/2010 Meyers et al.
D616,743 S	6/2010	Cresswell et al.		D626,838 S	11/2010 Meyers et al.
D616,744 S	6/2010	Cresswell et al.		D628,482 S	12/2010 Tiesberger
D619,892 S *	7/2010	Welk et al. ....	D9/443	D628,483 S	12/2010 McKinney et al.
D620,357 S	7/2010	Jewett et al.		D634,156 S *	3/2011 Fuller et al. .... D7/393
D620,358 S	7/2010	Jewett et al.		D634,972 S *	3/2011 Staton ..... D7/392.1
D620,798 S	8/2010	Cresswell et al.		D657,196 S *	4/2012 Beyers, III ..... D7/513
D623,896 S *	9/2010	Wahl et al. ....	D7/510		

\* cited by examiner

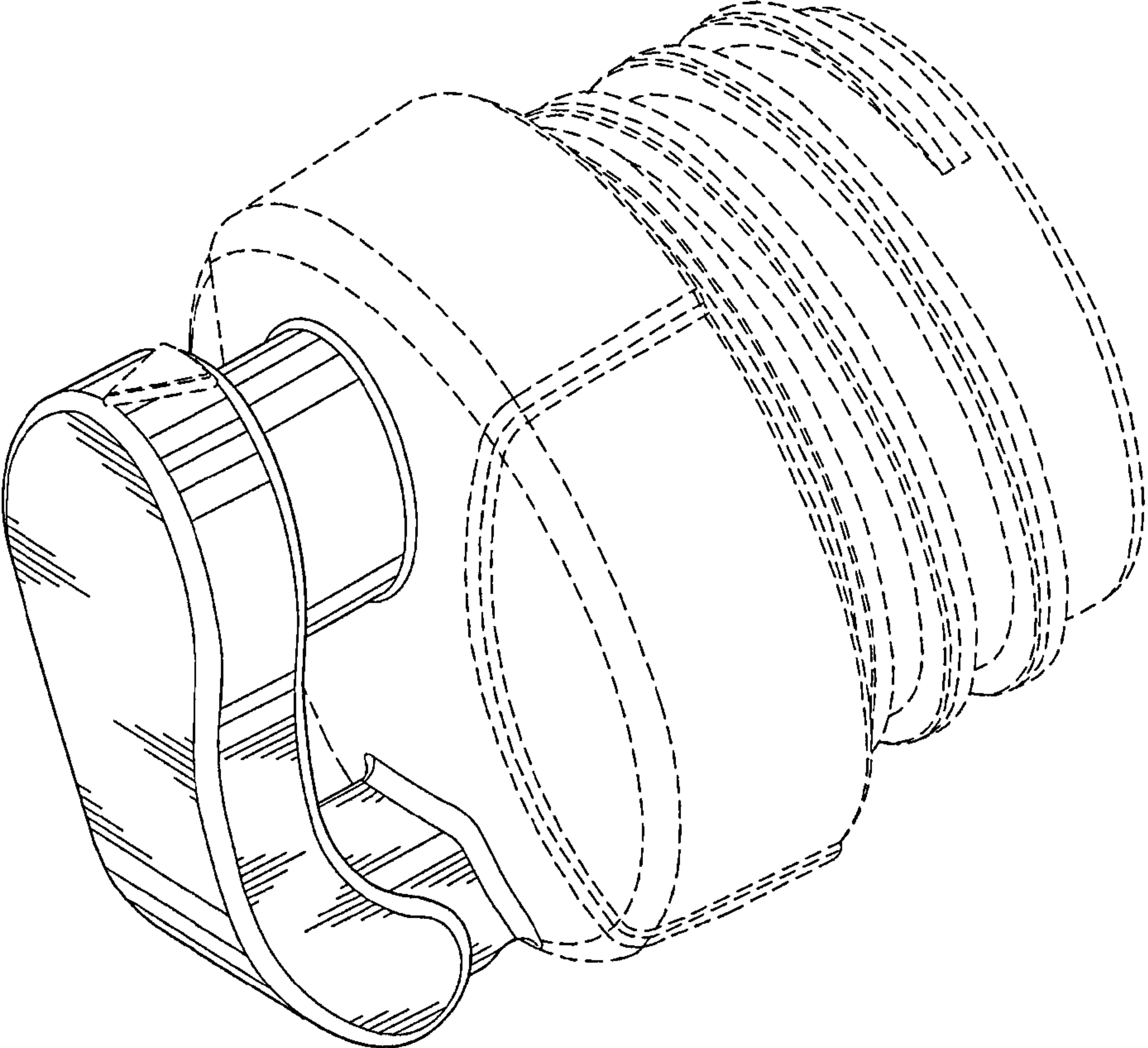


FIG. 1

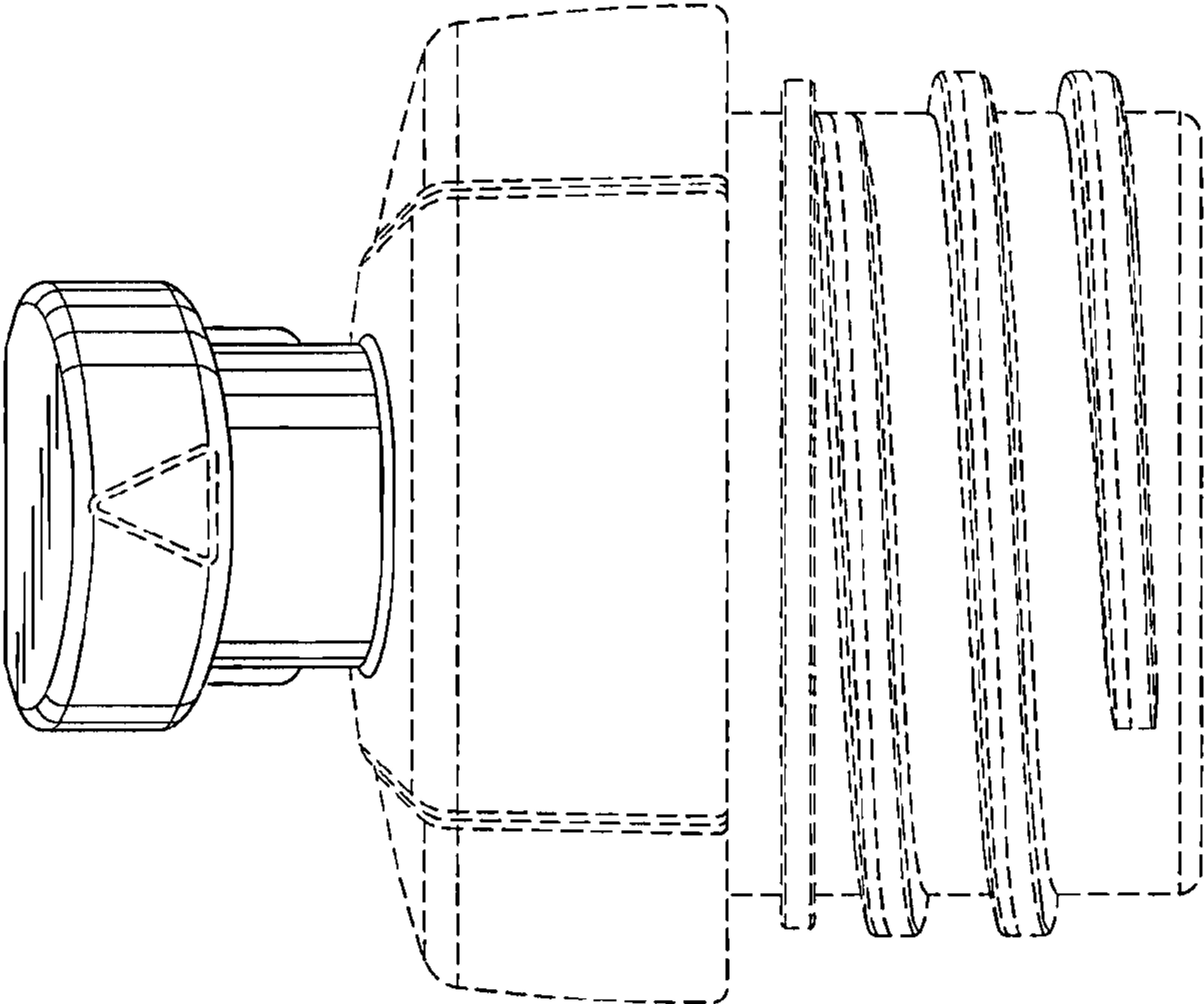


FIG. 2

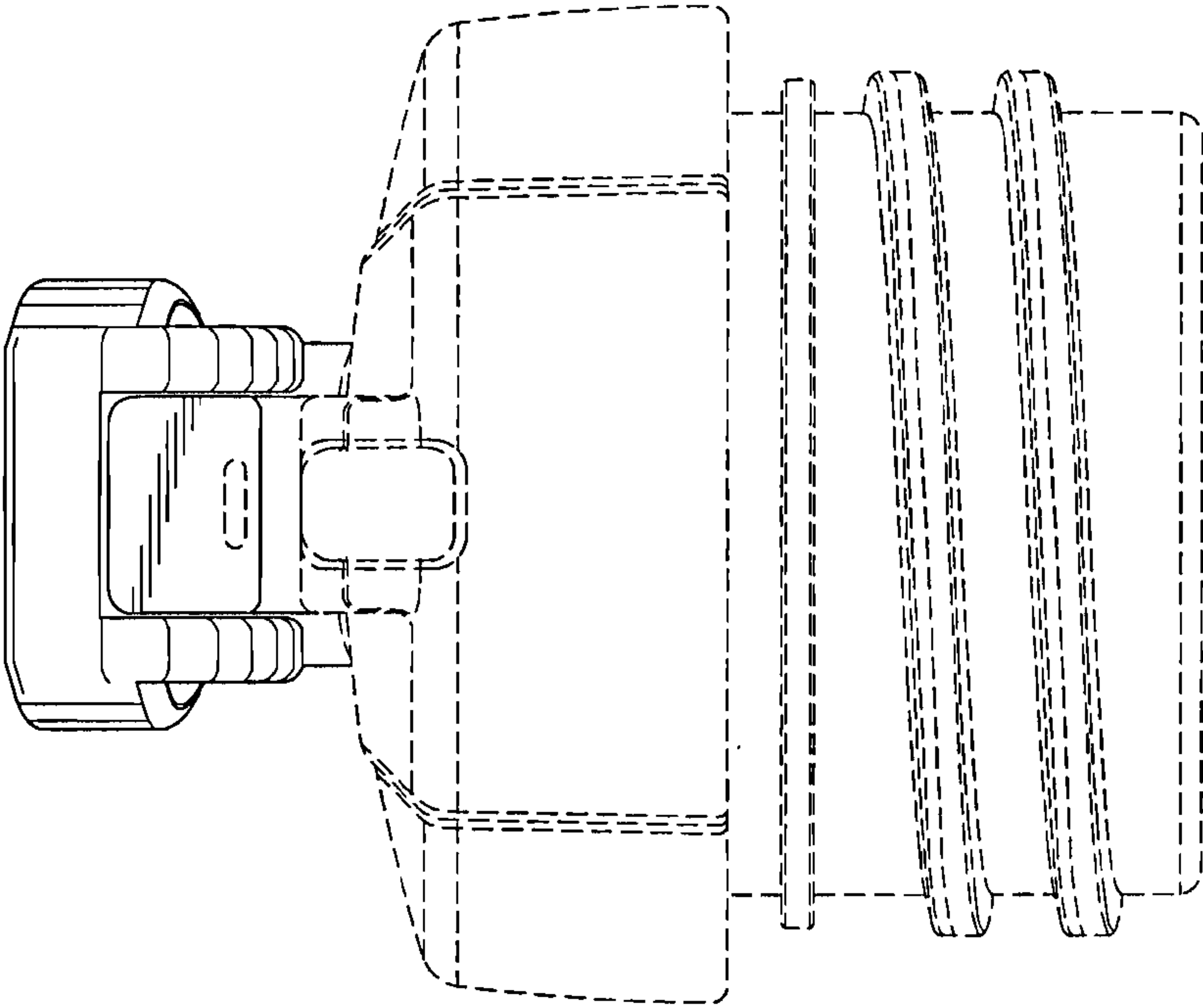


FIG. 3

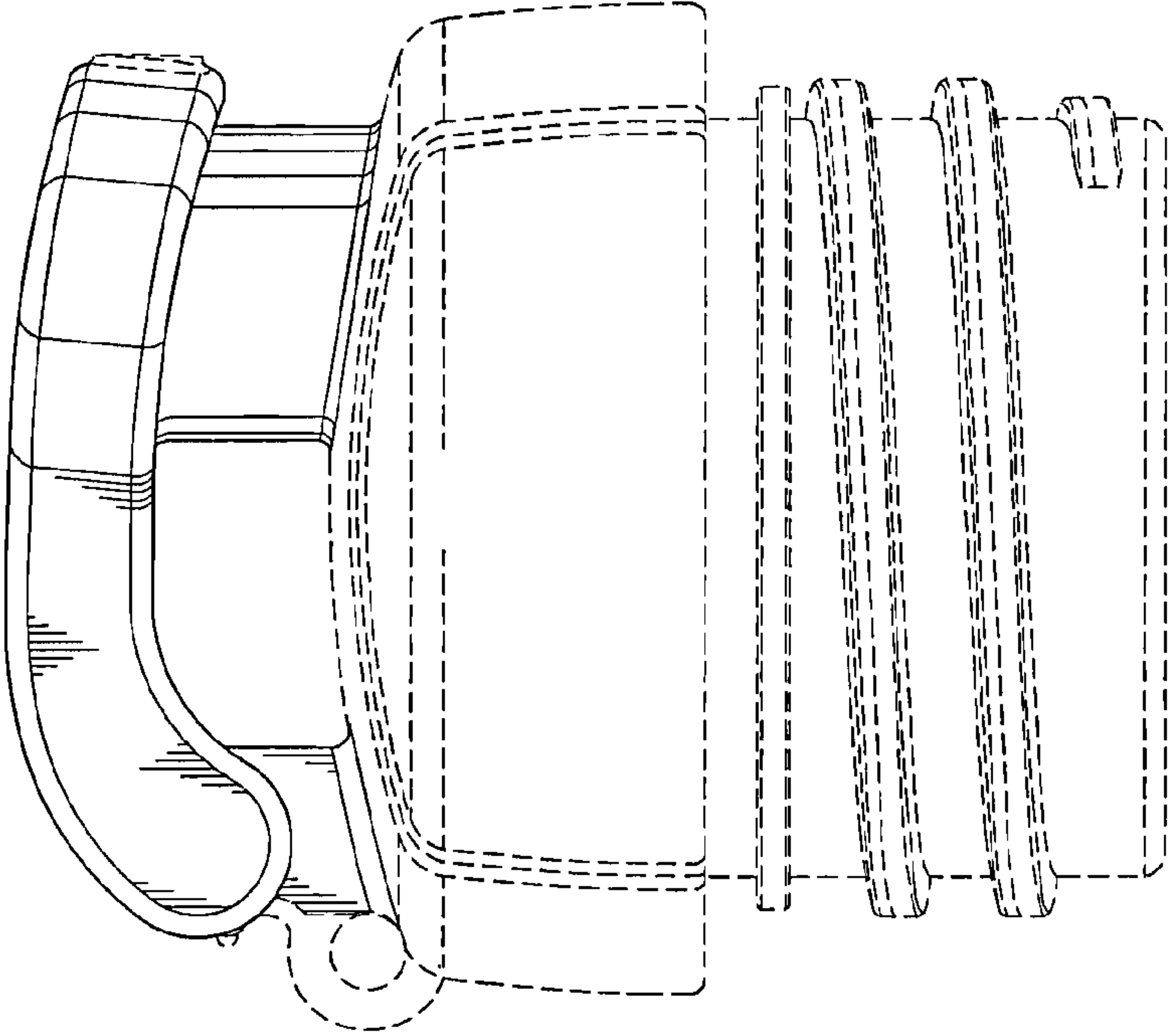


FIG. 4



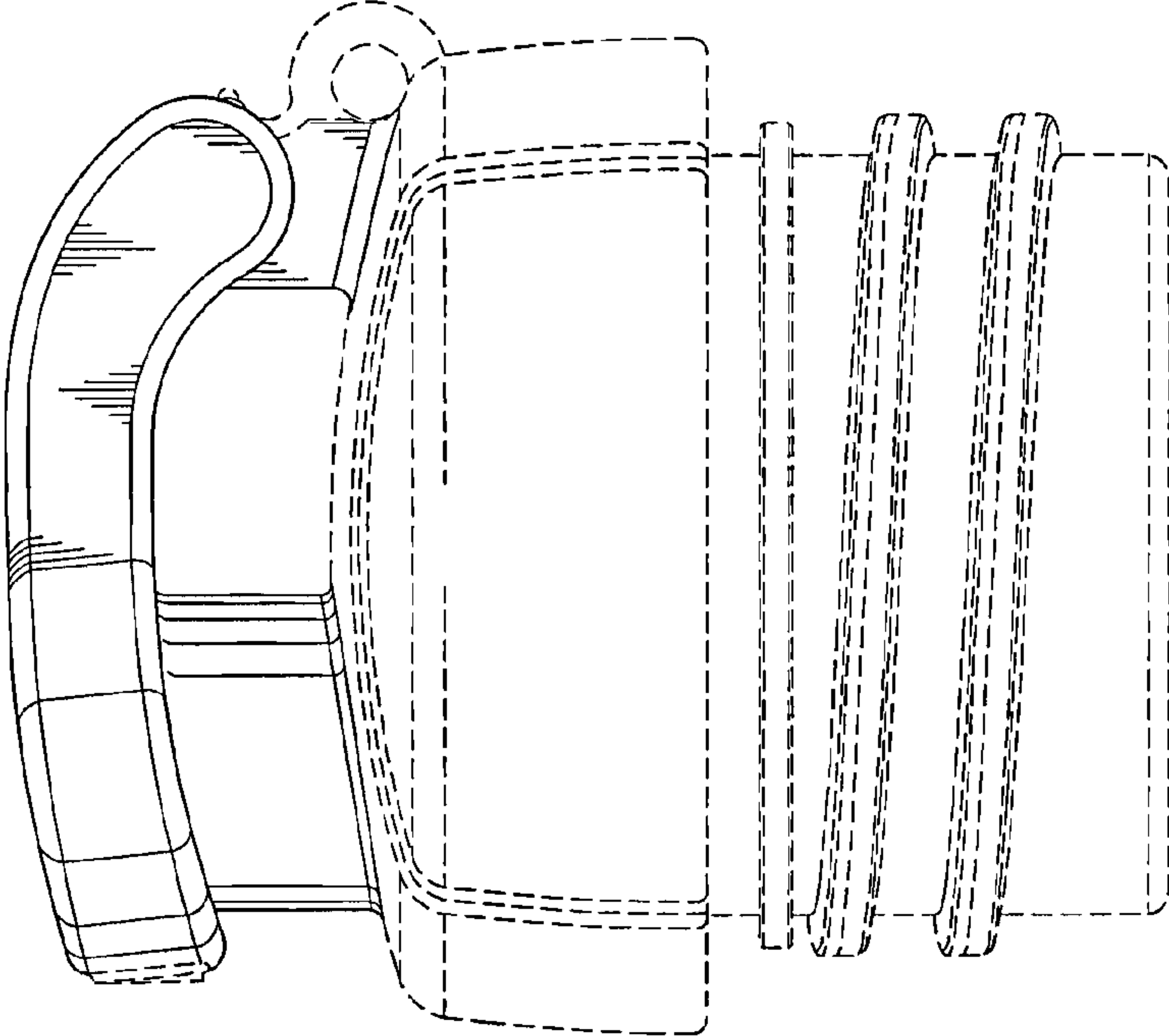


FIG. 5

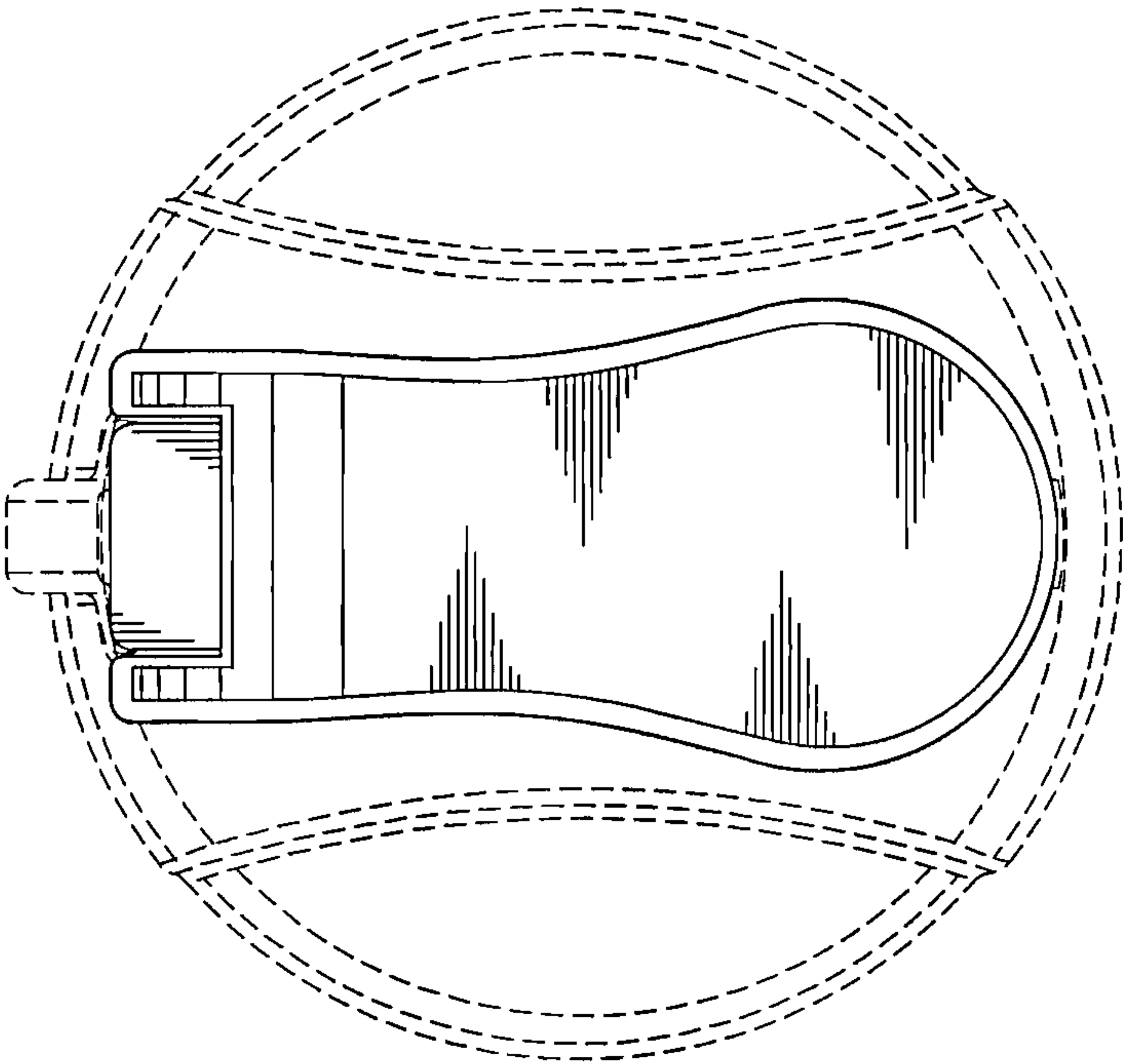


FIG. 6



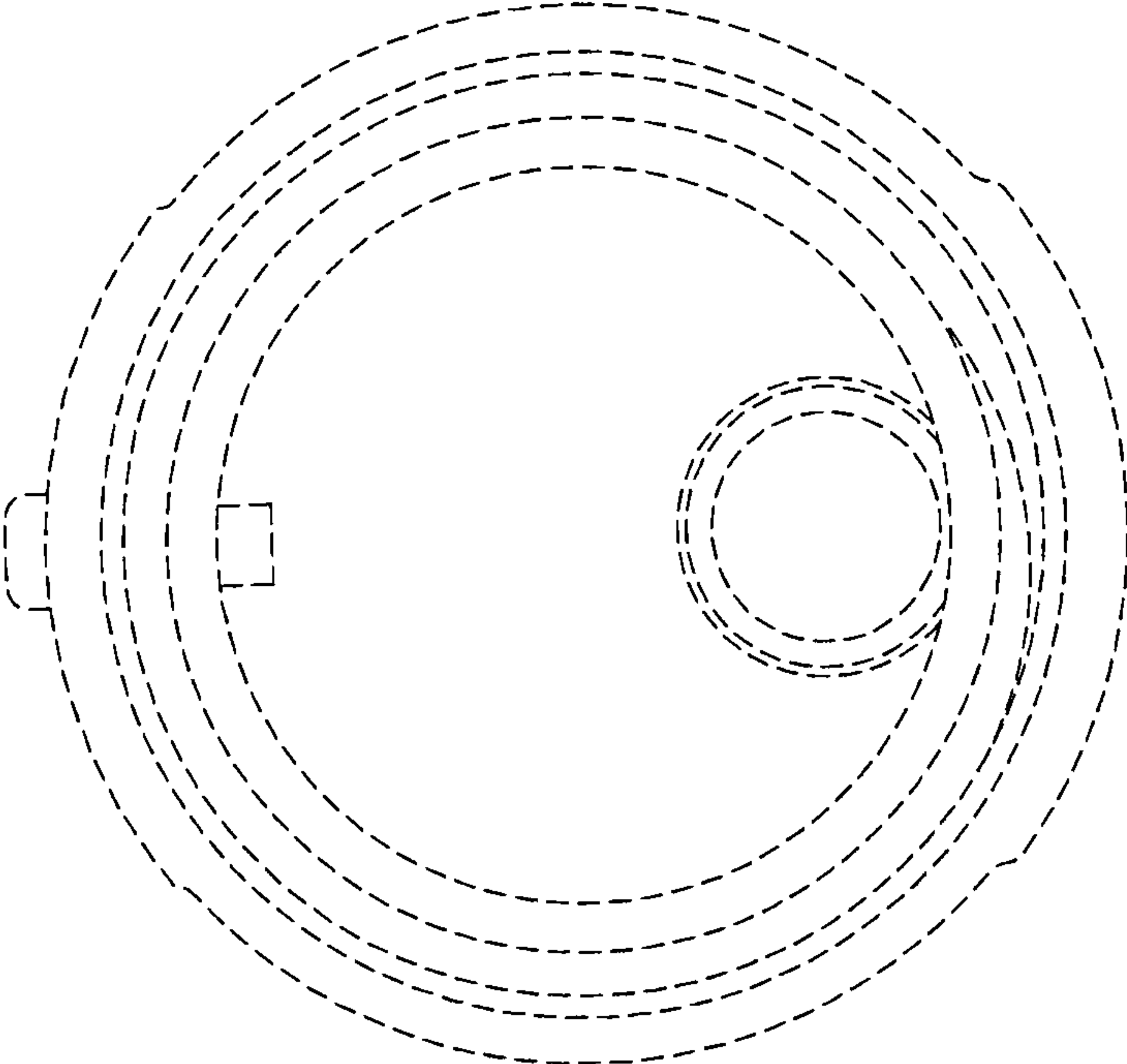


FIG. 7