



US00D682015S

(12) **United States Design Patent**
Ragot

(10) **Patent No.:** **US D682,015 S**

(45) **Date of Patent:** **** May 14, 2013**

- (54) **ELECTRIC MIXER**
- (71) Applicant: **Cedric Ragot**, Montreuil (FR)
- (72) Inventor: **Cedric Ragot**, Montreuil (FR)
- (73) Assignee: **SEB**, Selongey (FR)
- (**) Term: **14 Years**
- (21) Appl. No.: **29/433,174**
- (22) Filed: **Sep. 26, 2012**

2,330,860 A * 10/1943 Behar 366/199
 D157,509 S * 2/1950 Naiden D7/379
 D180,427 S * 6/1957 Seyfried et al. D7/379

(Continued)

Primary Examiner — Ricky Pham

(74) *Attorney, Agent, or Firm* — Loeb & Loeb LLP

(57) **CLAIM**

The ornamental design for an electric mixer, as shown and described.

Related U.S. Application Data

- (62) Division of application No. 29/419,212, filed on Apr. 26, 2012.

Foreign Application Priority Data

- Nov. 4, 2011 (FR) 11 5318
- (51) **LOC (9) Cl.** **31-00**
- (52) **U.S. Cl.**
USPC **D7/379**; D7/376; D7/384
- (58) **Field of Classification Search** D7/301–313,
D7/316–319, 356–357, 368, 372–386, 391–398,
D7/412–415, 503, 515, 665, 679, 691–693;
99/326, 348, 492, 508–512; 241/30–37.5,
241/101.01–101.2, 166–169.1, 172, 272,
241/285.1–285.3, 291, 292.1; 366/64–67,
366/98, 129, 142–144, 192–211, 241–254,
366/262, 279–292, 325.8, 325.92, 341–347;
416/75–77, 70 R, 163; 452/141
See application file for complete search history.

References Cited

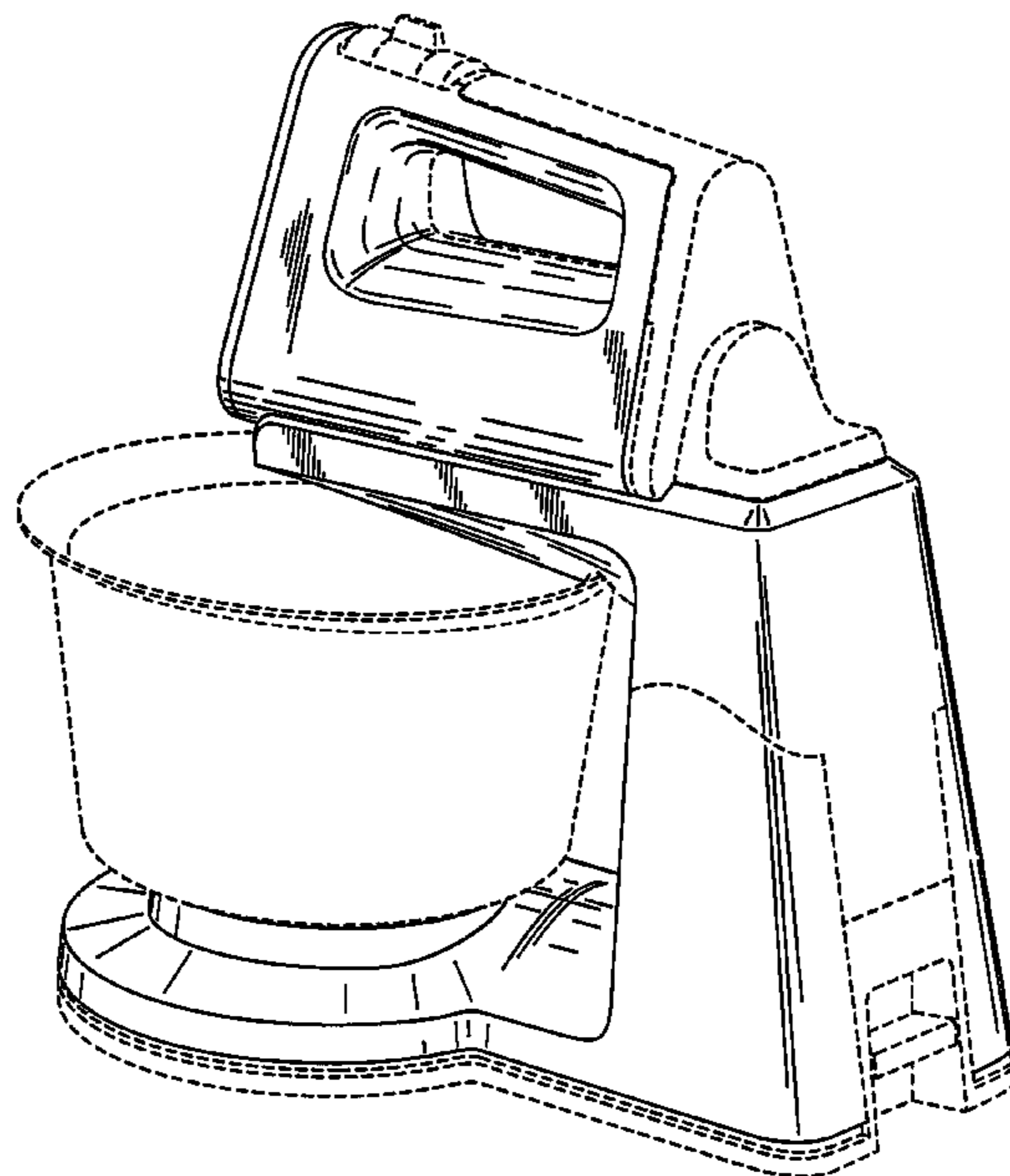
U.S. PATENT DOCUMENTS

- 2,103,928 A * 12/1937 Bean 366/199
- D120,342 S * 5/1940 Geiger et al. D7/379

DESCRIPTION

FIG. 1 is a perspective view of an electric mixer.
 FIG. 2 is a left side view of the electric mixer of FIG. 1.
 FIG. 3 is a right side view of the electric mixer of FIG. 1.
 FIG. 4 is a front view of the electric mixer of FIG. 1.
 FIG. 5 is a rear view of the electric mixer of FIG. 1.
 FIG. 6 is a top view of the electric mixer of FIG. 1.
 FIG. 7 is a bottom view of the electric mixer of FIG. 1.
 FIG. 8 is a perspective view of the electric mixer of FIG. 1 showing an additional object with the mixer for the purpose of illustrating the environmental structure of the mixer.
 FIG. 9 is a left side view of the electric mixer of FIG. 1 showing an additional object with the mixer for the purpose of illustrating the environmental structure of the mixer.
 FIG. 10 is a rear of the electric mixer of FIG. 1 showing an additional object with the mixer for the purpose of illustrating the environmental structure of the mixer; and,
 FIG. 11 is a top view of the electric mixer of FIG. 1 showing an additional object with the mixer for the purpose of illustrating the environmental structure of the mixer.
 The broken lines appearing in the figures are for the purpose of illustrating the environmental structure of the article of the claimed design and form no part of the claimed design.

1 Claim, 11 Drawing Sheets



US D682,015 S

Page 2

U.S. PATENT DOCUMENTS

3,066,350	A	*	12/1962	Quiring	452/141	D322,537	S	*	12/1991	Wilson	D7/379
D224,132	S	*	7/1972	Yamamoto	D7/379	D387,244	S	*	12/1997	Ivy et al.	D7/379
3,904,178	A	*	9/1975	Scott et al.	366/199	D593,360	S	*	6/2009	Lee	D7/379
D292,166	S	*	10/1987	McCloskey	D7/379	D665,224	S	*	8/2012	Benoit et al.	D7/379

* cited by examiner

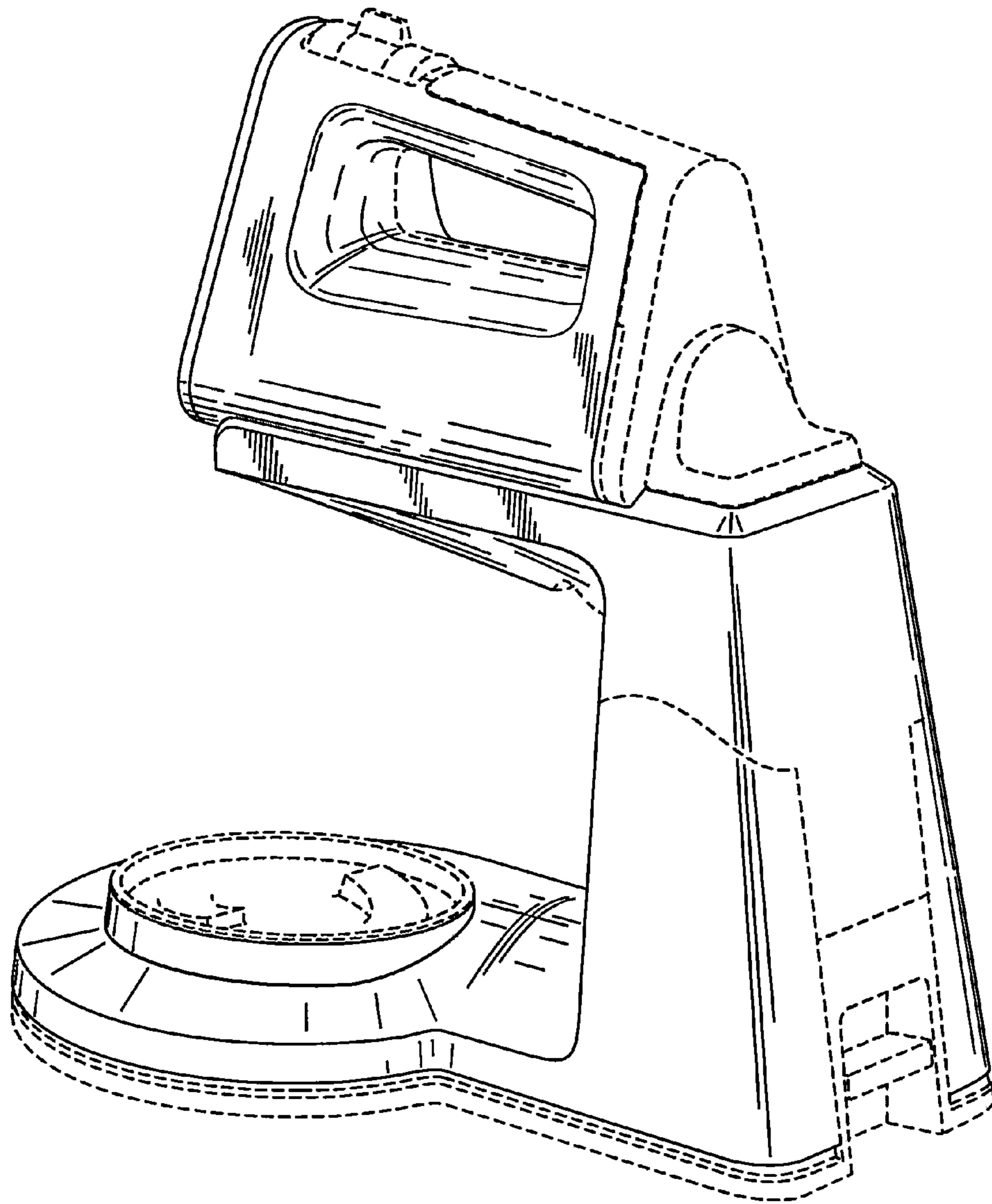


FIG. 1

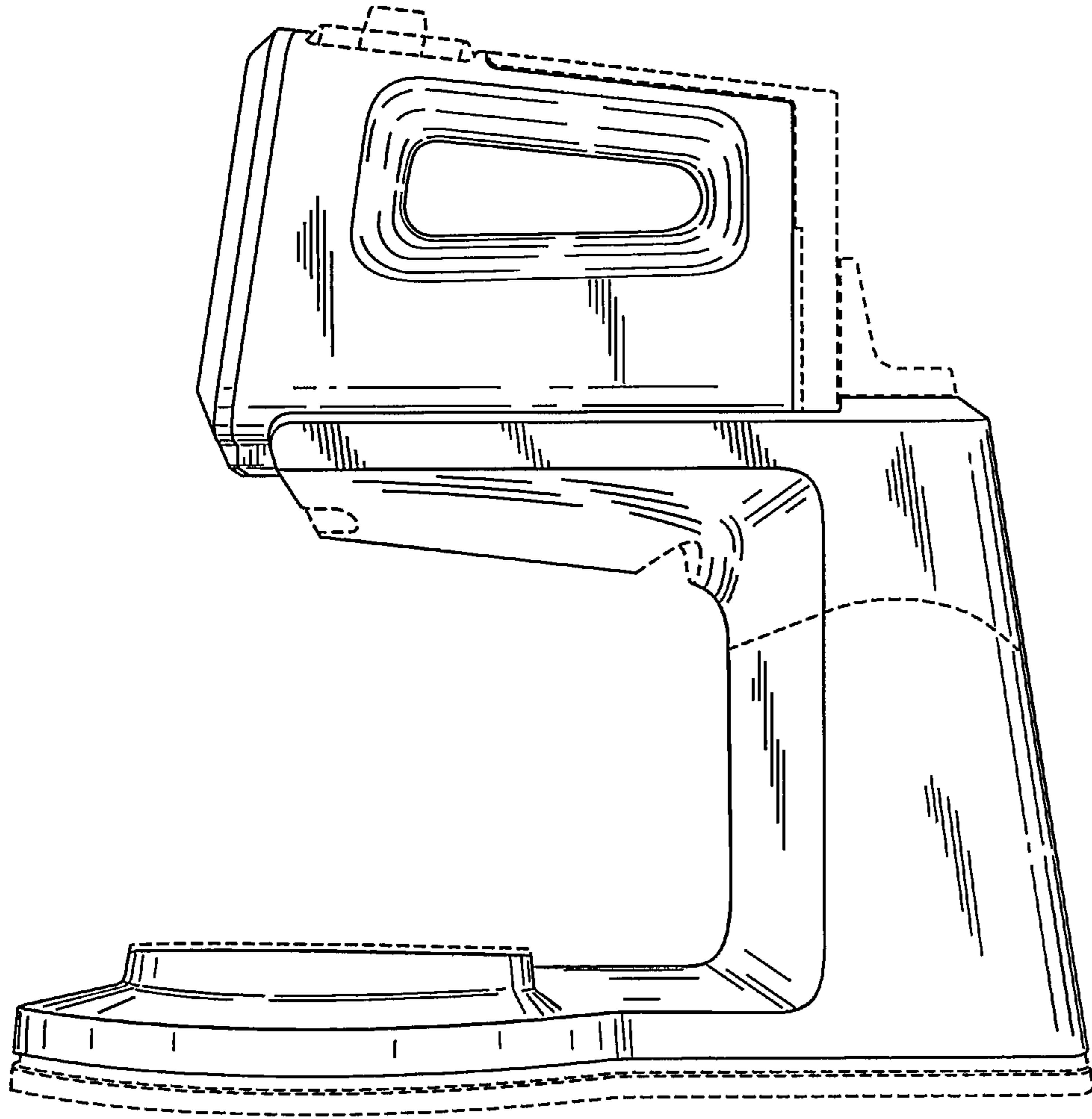


FIG. 2

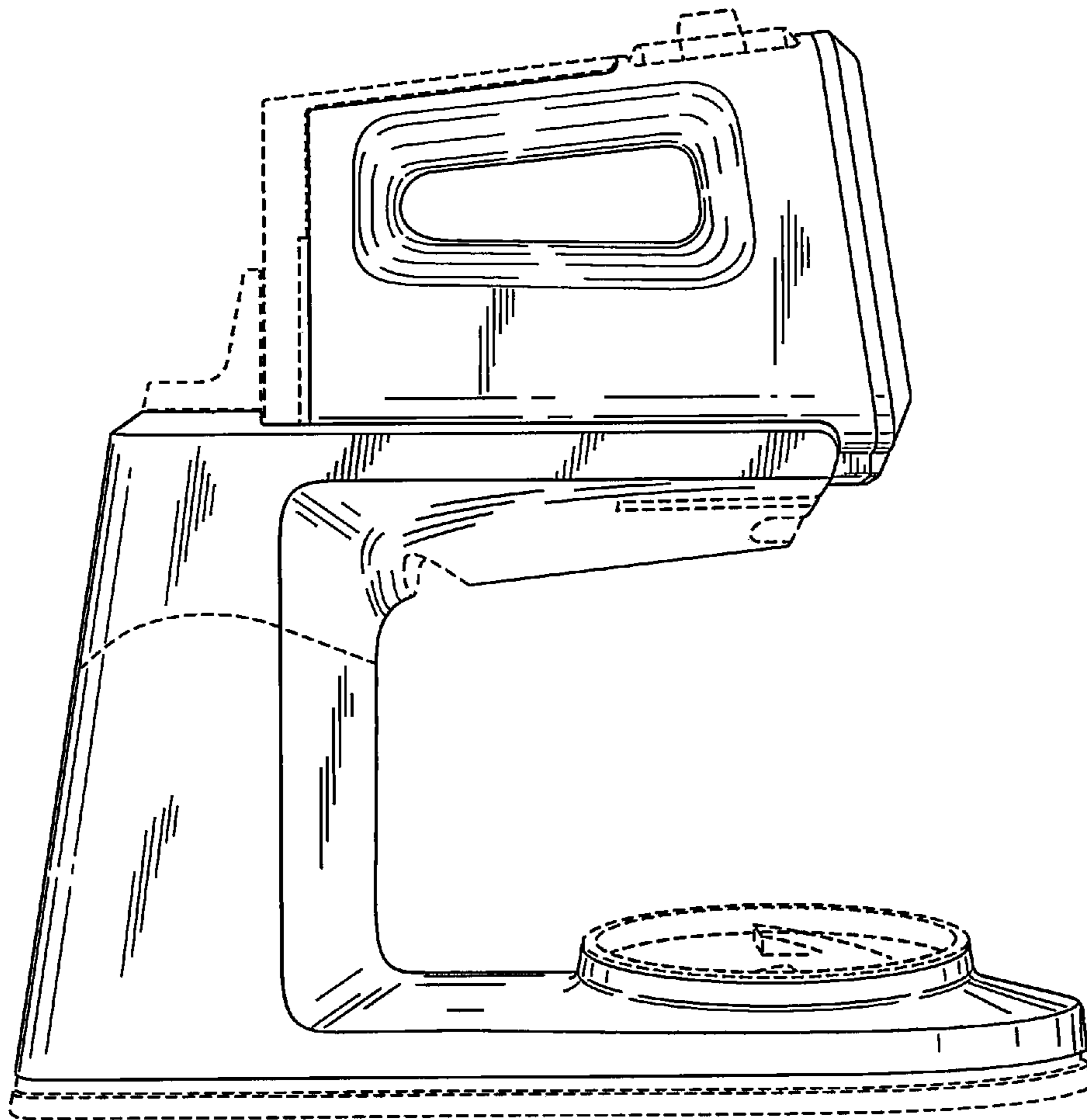


FIG. 3

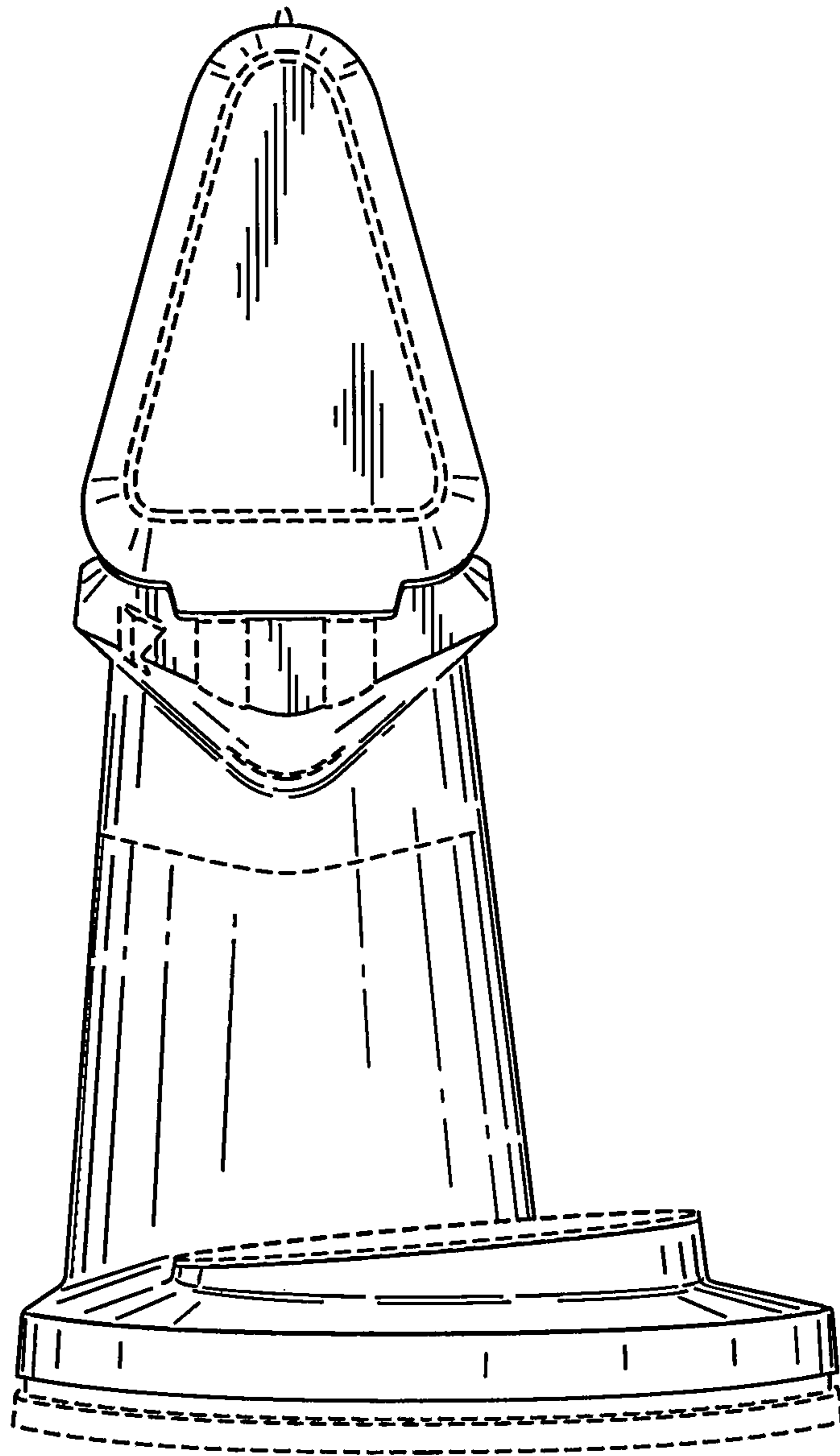


FIG. 4

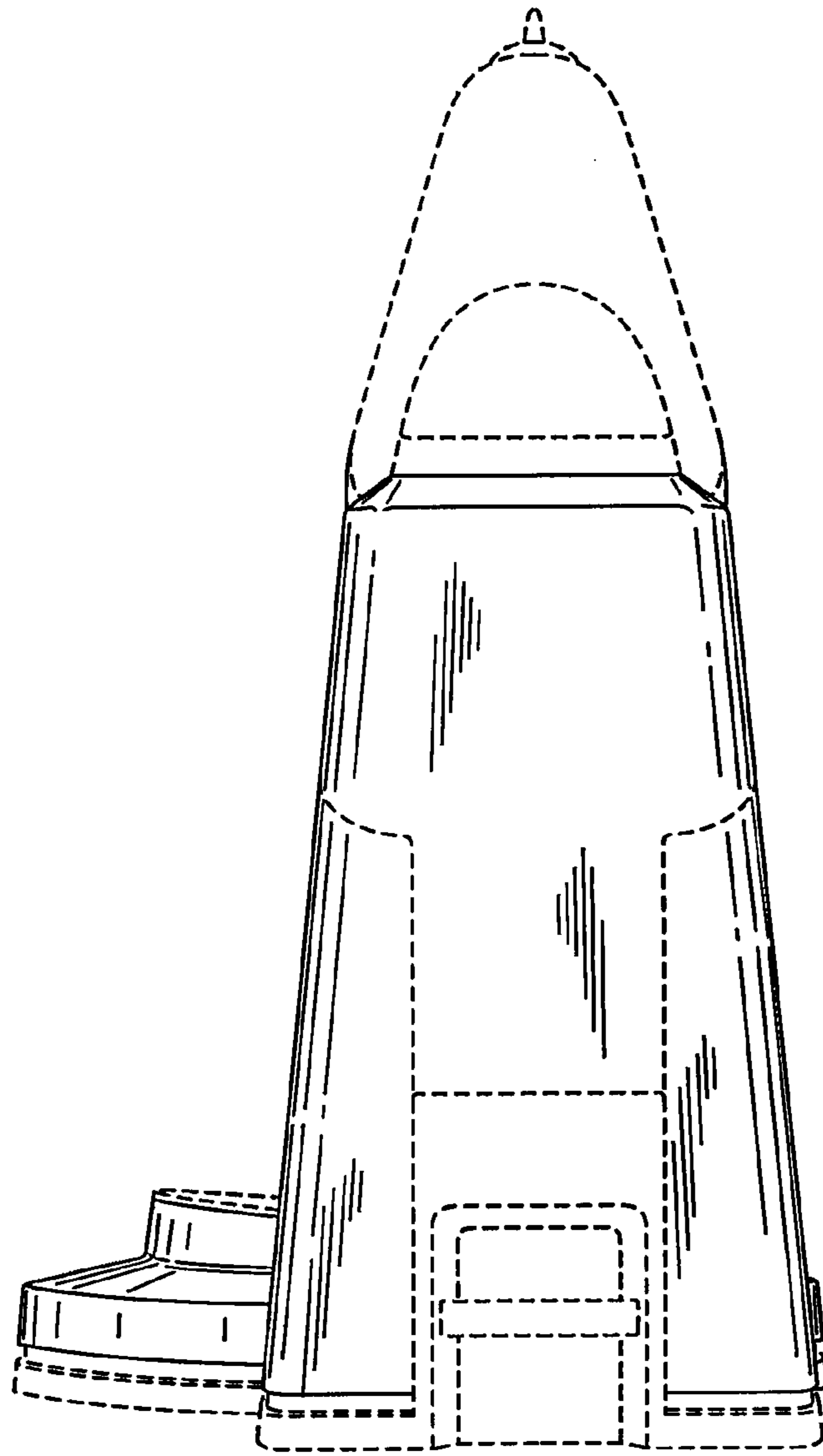


FIG. 5

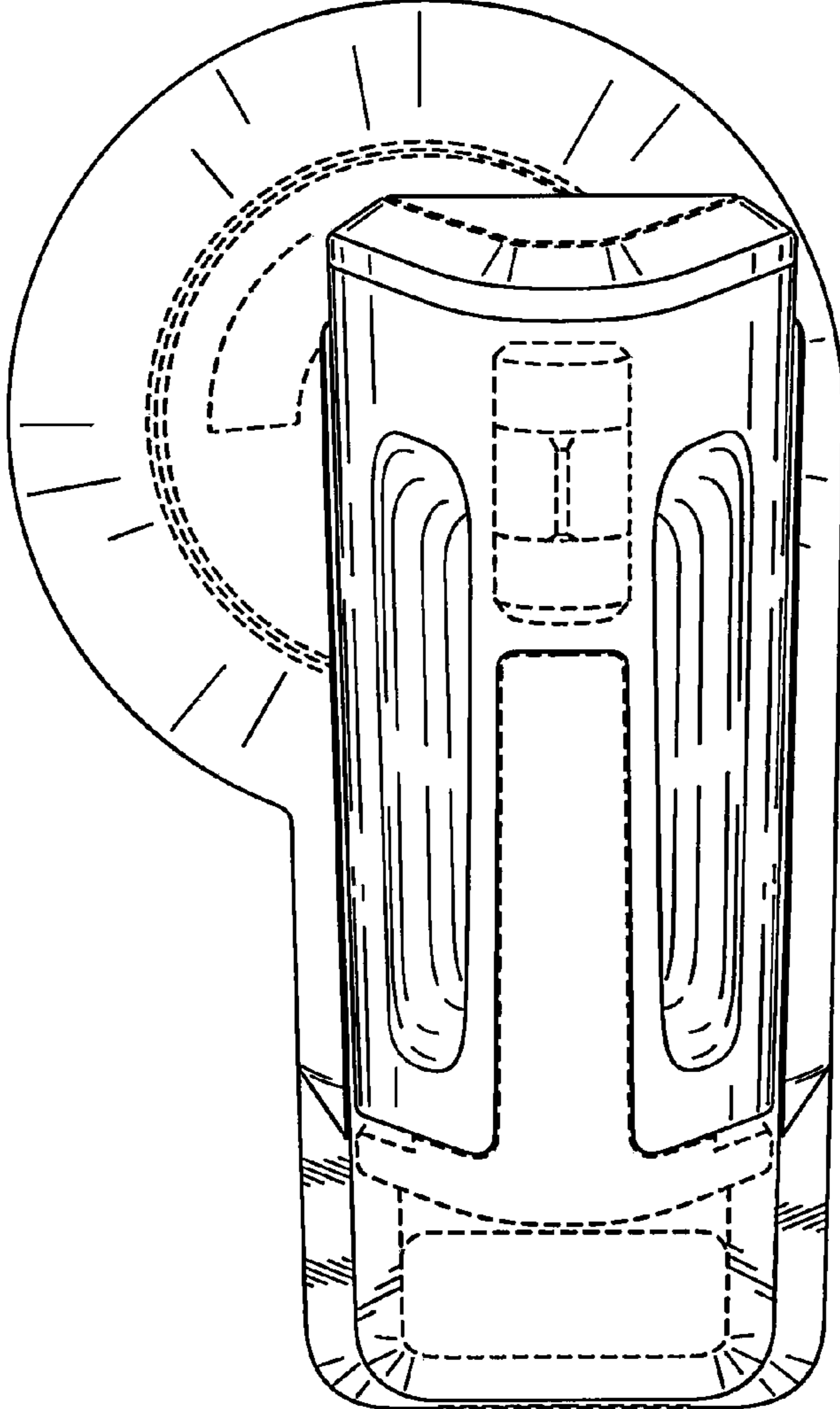


FIG. 6

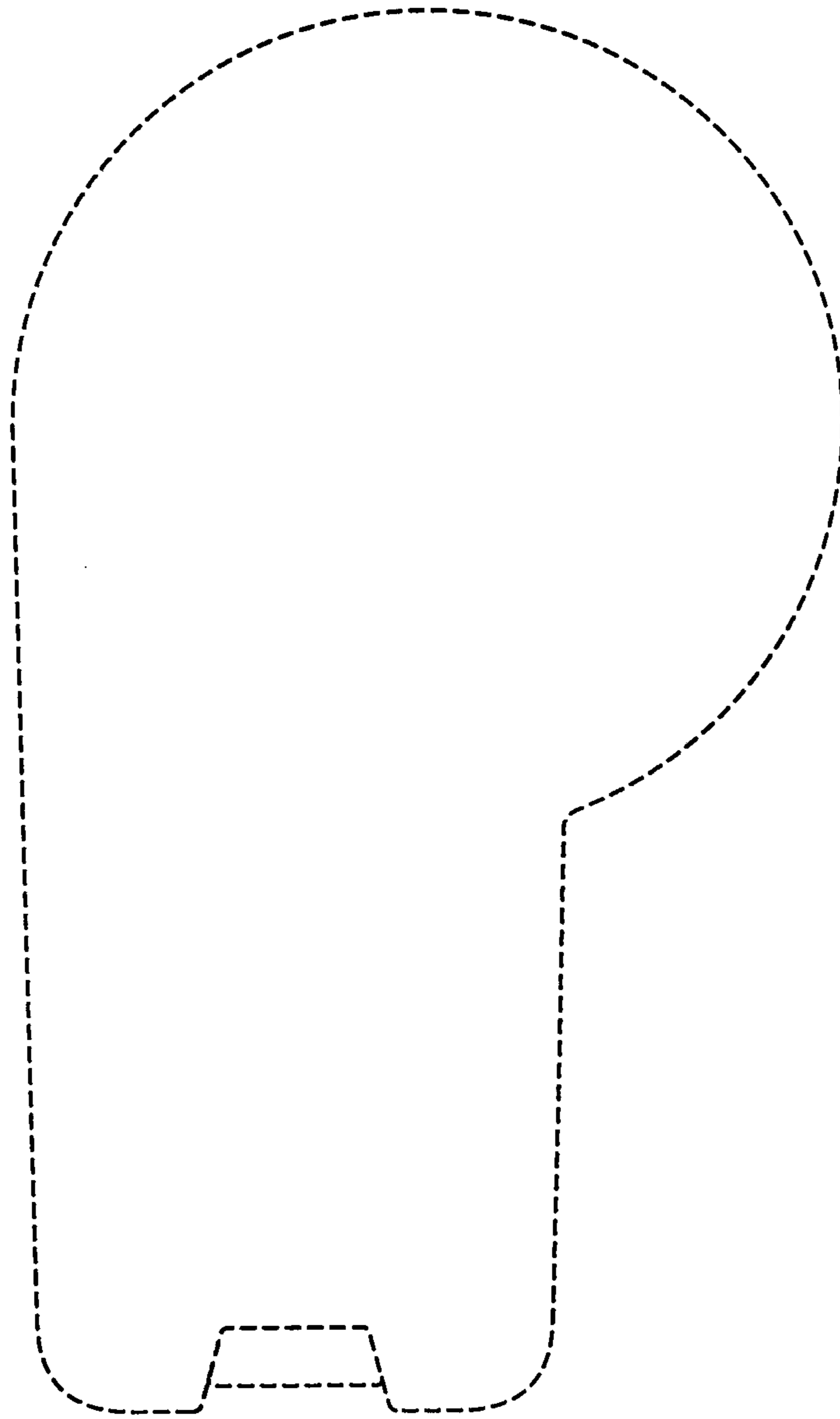


FIG. 7

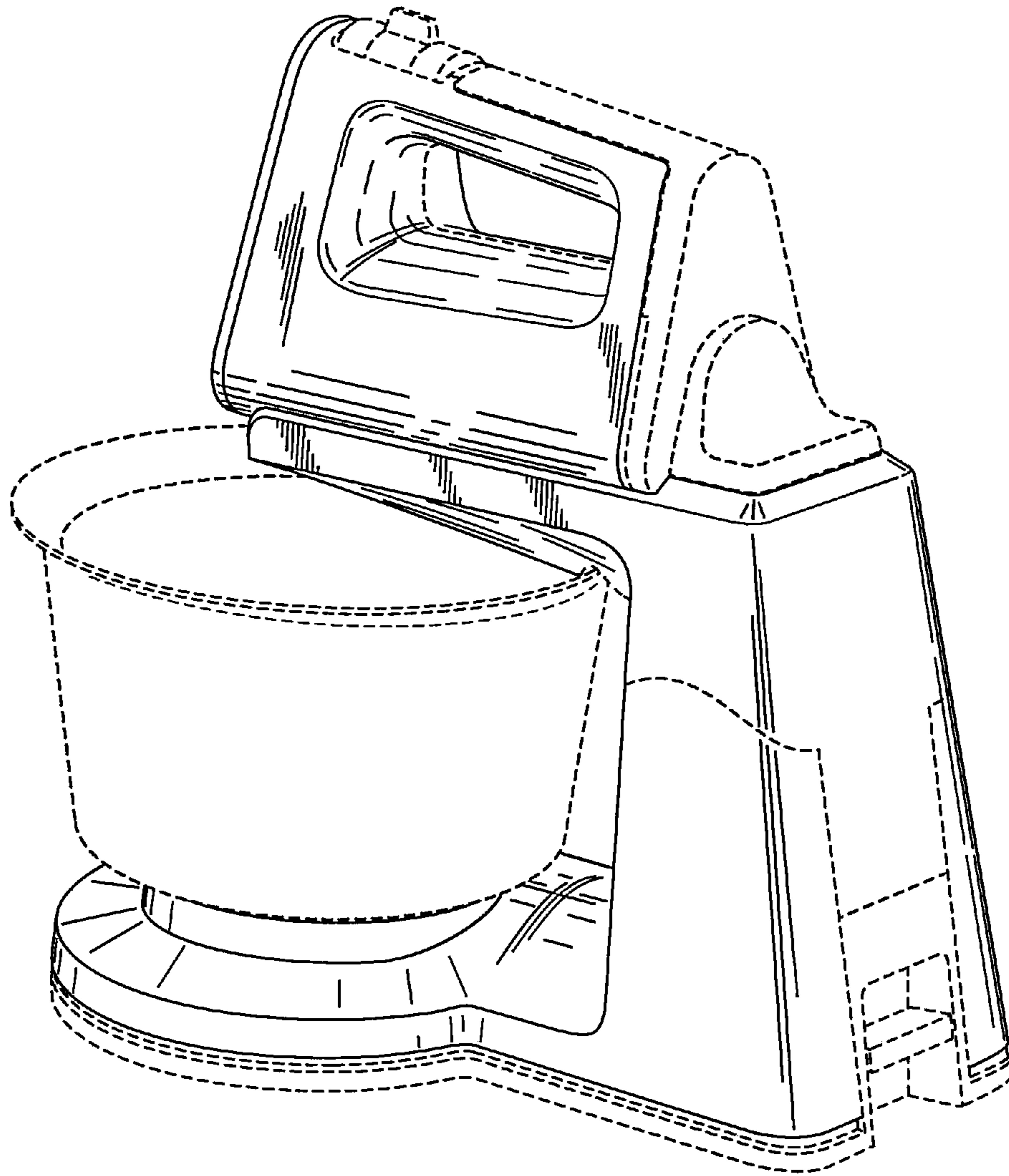


FIG. 8

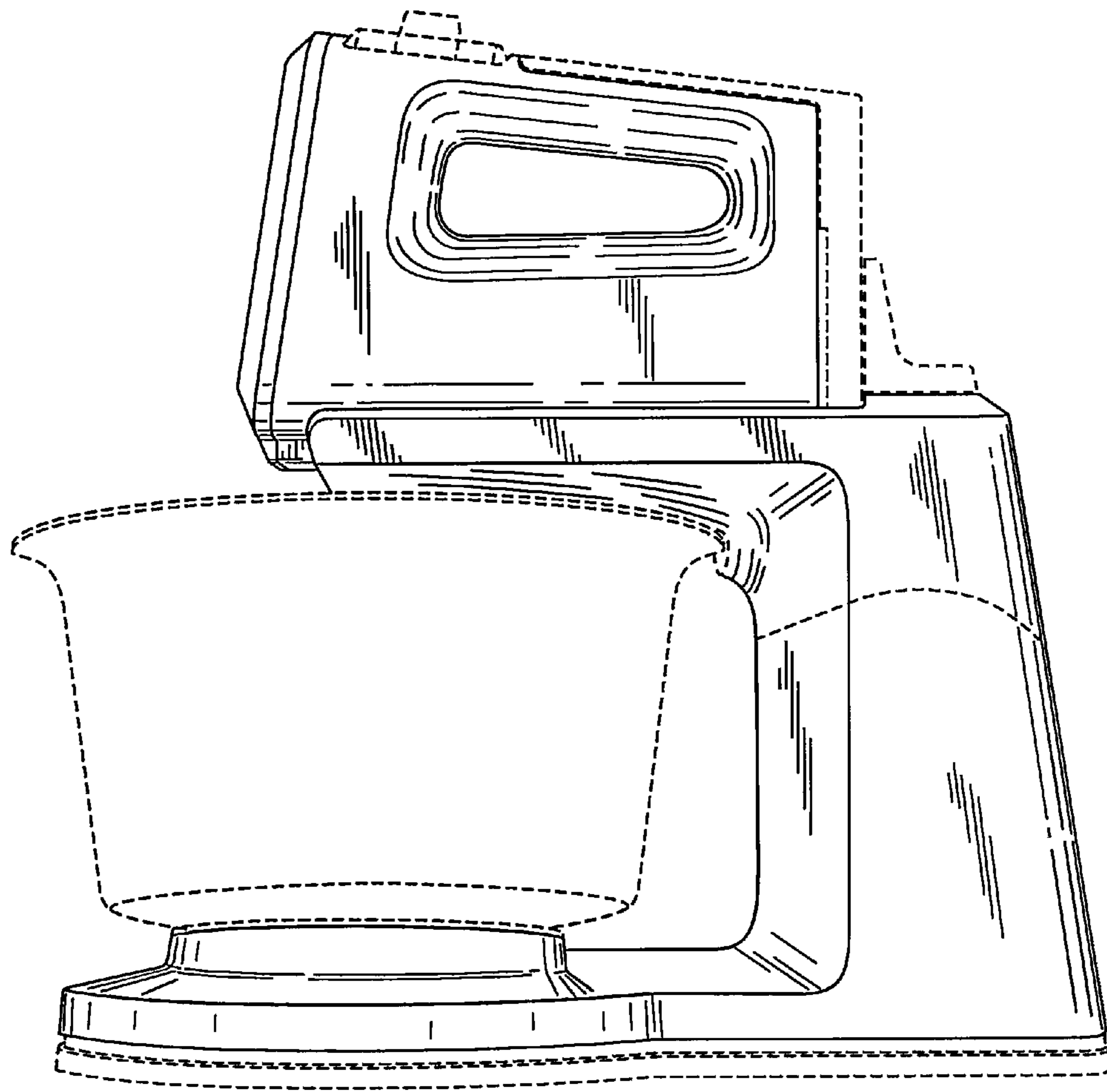


FIG. 9

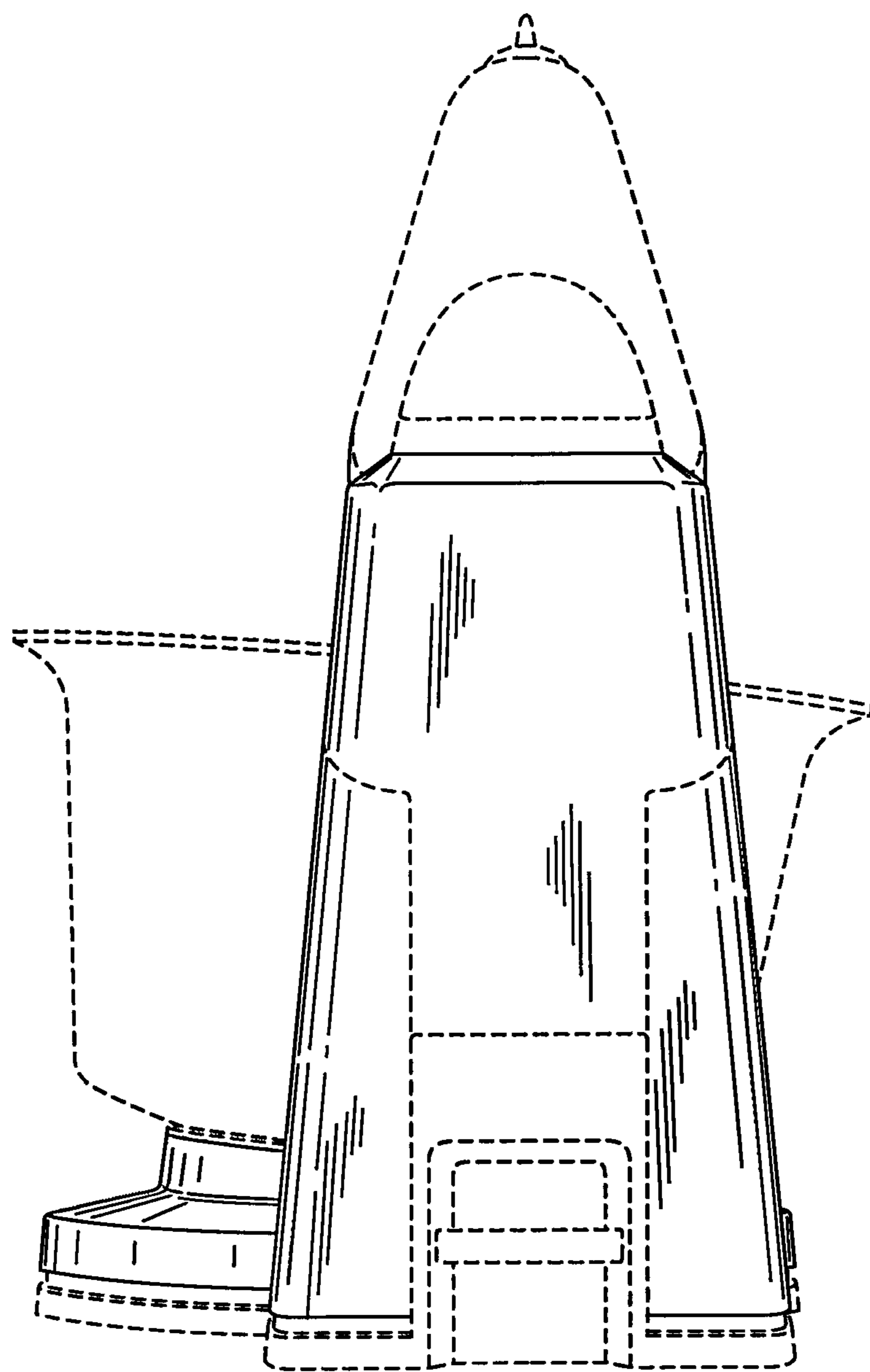


FIG. 10

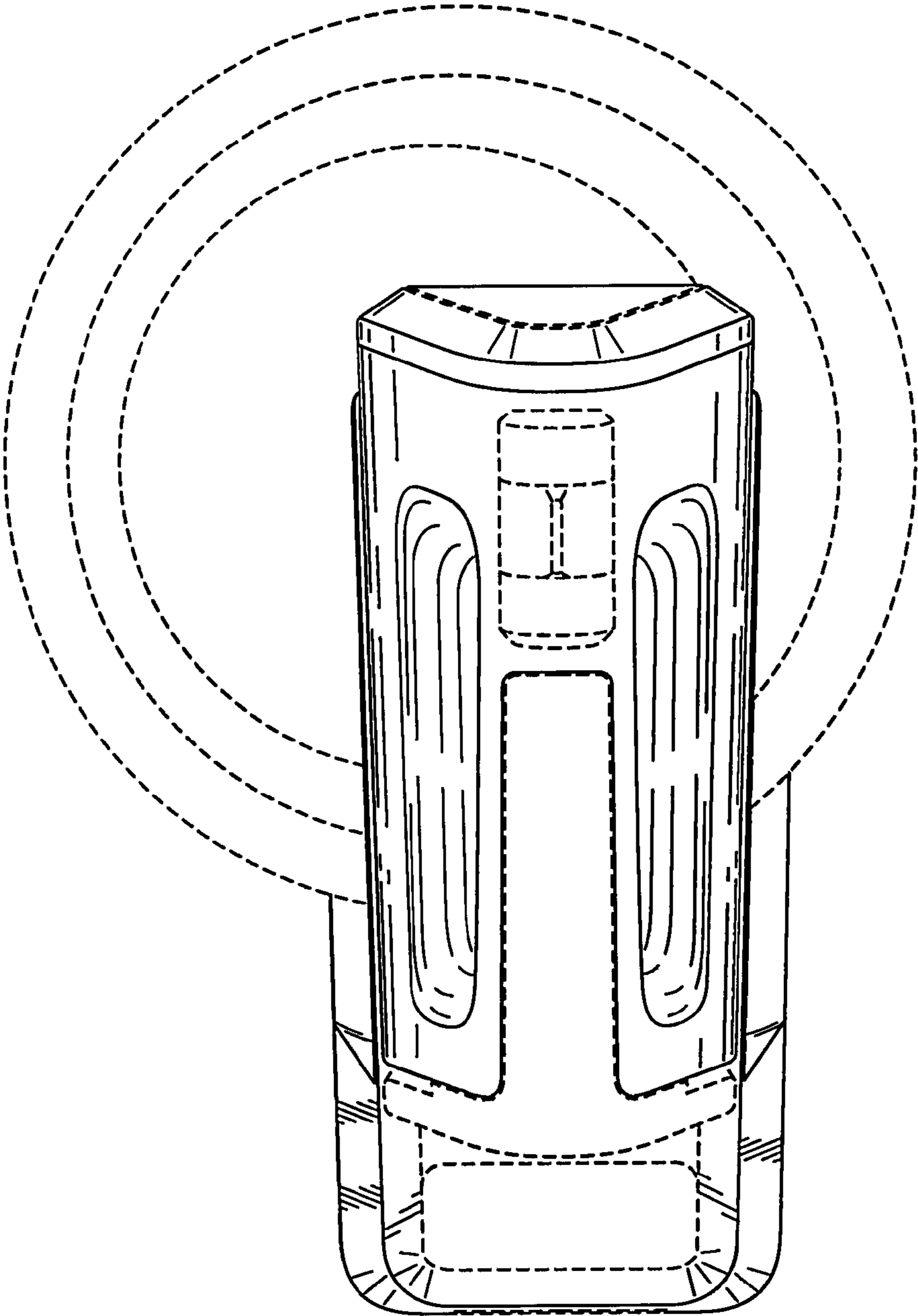


FIG. 11