



US00D682013S

(12) **United States Design Patent**
Huang

(10) **Patent No.:** **US D682,013 S**

(45) **Date of Patent:** **** May 14, 2013**

(54) **COOKING PAN**

(71) Applicant: **Lee Huang**, Palo Alto, CA (US)

(72) Inventor: **Lee Huang**, Palo Alto, CA (US)

(**) Term: **14 Years**

(21) Appl. No.: **29/434,502**

(22) Filed: **Oct. 12, 2012**

(51) **LOC (9) Cl.** **07-02**

(52) **U.S. Cl.**

USPC **D7/361; D7/354**

(58) **Field of Classification Search** D7/323,
D7/329-332, 337-339, 346-347, 350.1-350.4,
D7/353-367, 391-395, 402-409, 538-543,
D7/608, 665; 99/324-325, 330-332, 337-343,
99/366-369, 400-418, 422, 425, 444, 483;
126/37 R, 41 R, 261, 369, 378.1; 206/501-505,
206/507-508; 219/387, 400, 405, 429-442,
219/452.11, 620-624, 725, 730-735; 220/314-315,
220/573.1-573.5, 592.16, 912; 426/438,
426/441

See application file for complete search history.

(56) **References Cited**

U.S. PATENT DOCUMENTS

1,591,291	A *	7/1926	Detwiler	99/446
D154,967	S *	8/1949	Watkins	D7/359
D284,543	S *	7/1986	Huls	D7/409
D373,287	S *	9/1996	Antonio	D7/361
D377,438	S *	1/1997	Brunianyn	D7/361
D392,152	S *	3/1998	Rae	D7/402
D392,840	S *	3/1998	Rae	D7/402
D414,981	S *	10/1999	Roskind et al.	D7/359

D431,151	S *	9/2000	Brunianyn	D7/359
D470,711	S *	2/2003	Kloppsteck	D7/359
D507,719	S *	7/2005	Spagnolo	D7/361
D547,599	S *	7/2007	Gerlach	D7/361
D555,421	S *	11/2007	Thurlow et al.	D7/393
D582,202	S *	12/2008	Gerlach	D7/361
D585,237	S *	1/2009	Gerlach	D7/361
D586,177	S *	2/2009	Loring	D7/361
D589,741	S *	4/2009	Gerlach	D7/361
D589,744	S *	4/2009	Rae	D7/395
D592,452	S *	5/2009	Tetreault	D7/395
D593,794	S *	6/2009	Rae	D7/395
D598,702	S *	8/2009	Hoekstra	D7/361
D644,871	S *	9/2011	Rae	D7/395
D667,691	S *	9/2012	Rae	D7/395
D669,730	S *	10/2012	Mandil	D7/359
2007/0193575	A1 *	8/2007	Jan	126/390.1
2010/0084412	A1 *	4/2010	Huang	220/608

* cited by examiner

Primary Examiner — Ricky Pham

(74) *Attorney, Agent, or Firm* — Douglas L. Weller

(57) **CLAIM**

The ornamental design for a cooking pan, as shown and described.

DESCRIPTION

FIG. 1 is a top front left perspective view of the cooking pan, the right being a mirror image of the left.

FIG. 2 is a front elevational view of the cooking pan.

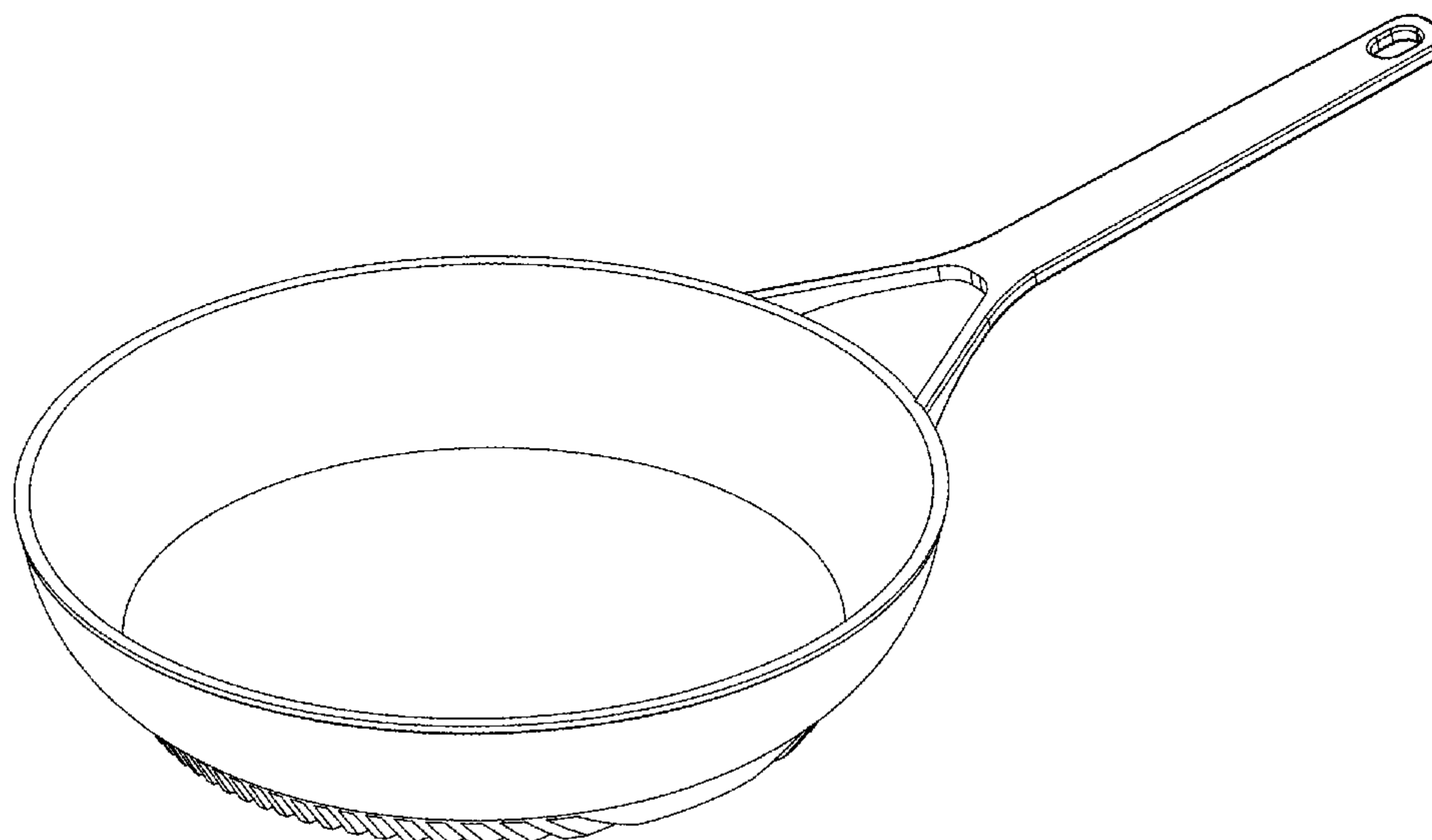
FIG. 3 is a rear elevational view of the cooking pan.

FIG. 4 is a top plan view of the cooking pan.

FIG. 5 is a bottom plan view of the cooking pan; and,

FIG. 6 is a left elevational view of the cooking pan, the right being a mirror image of the left.

1 Claim, 6 Drawing Sheets



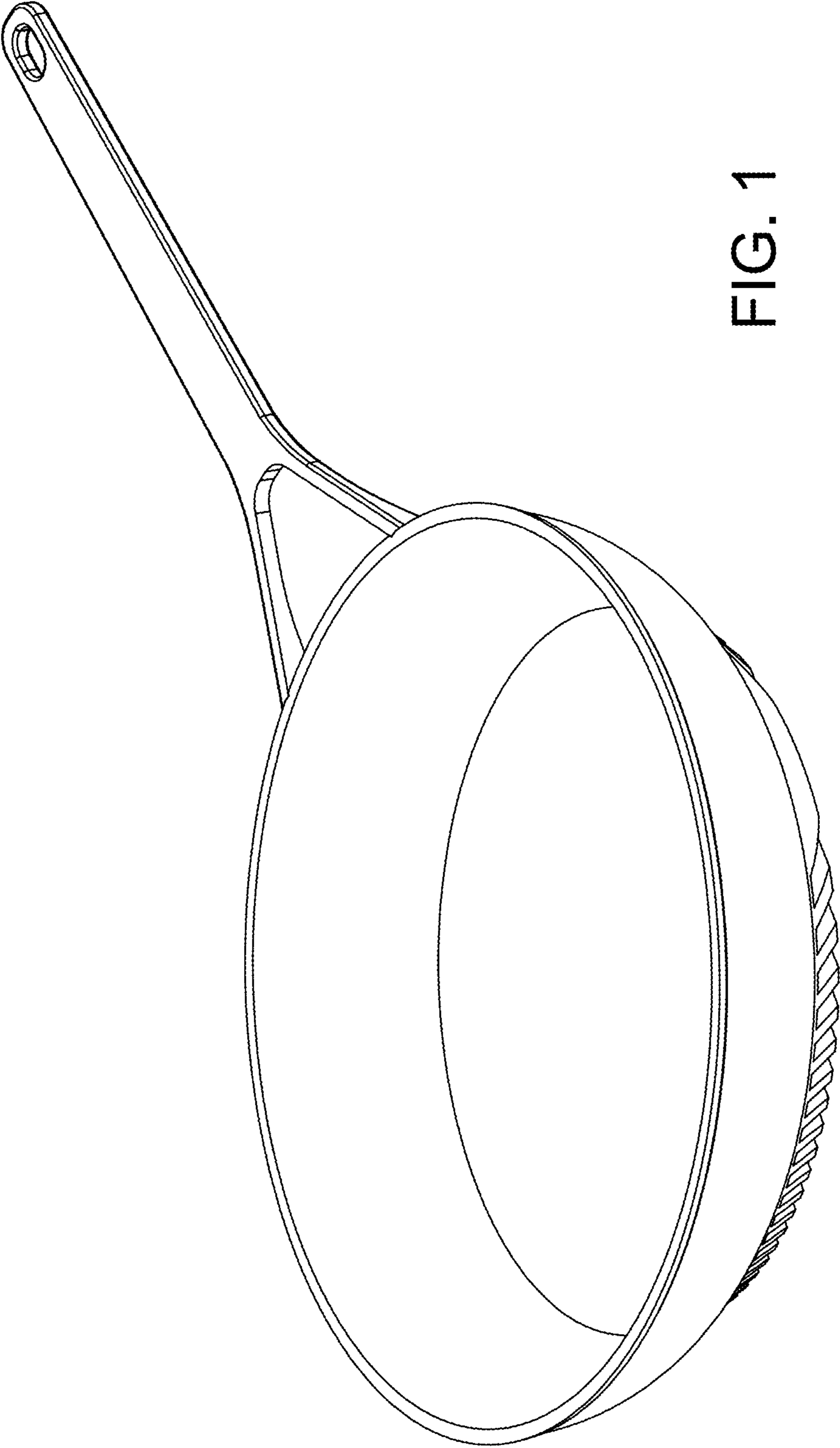


FIG. 1

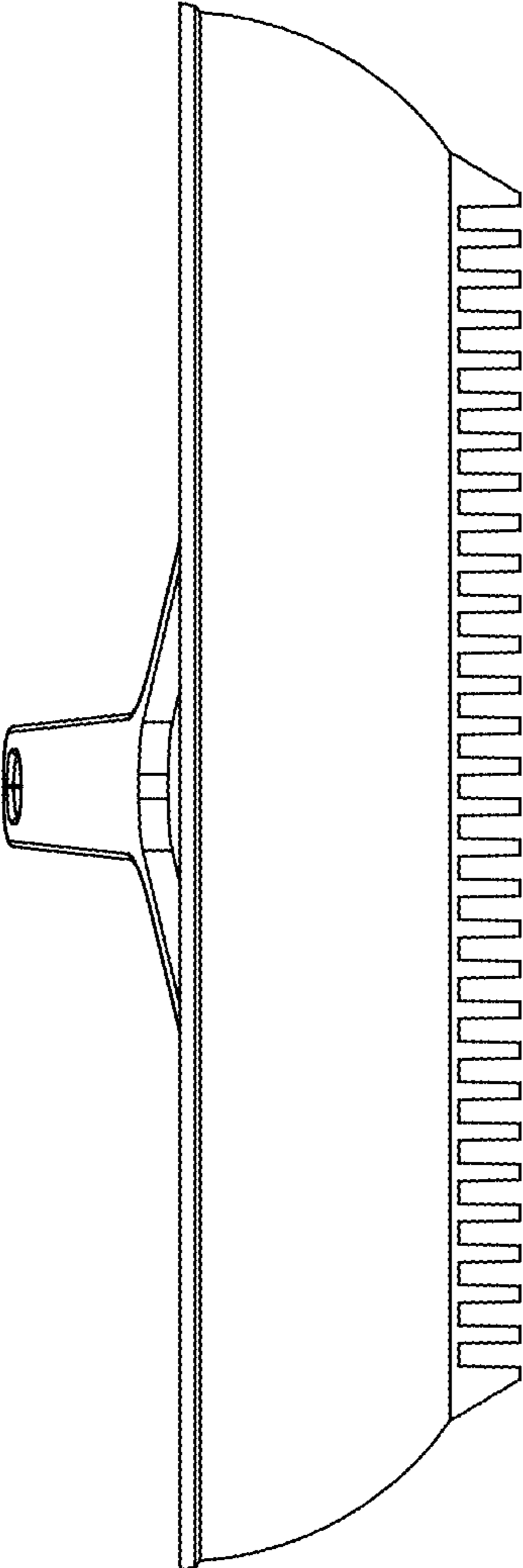


FIG. 2

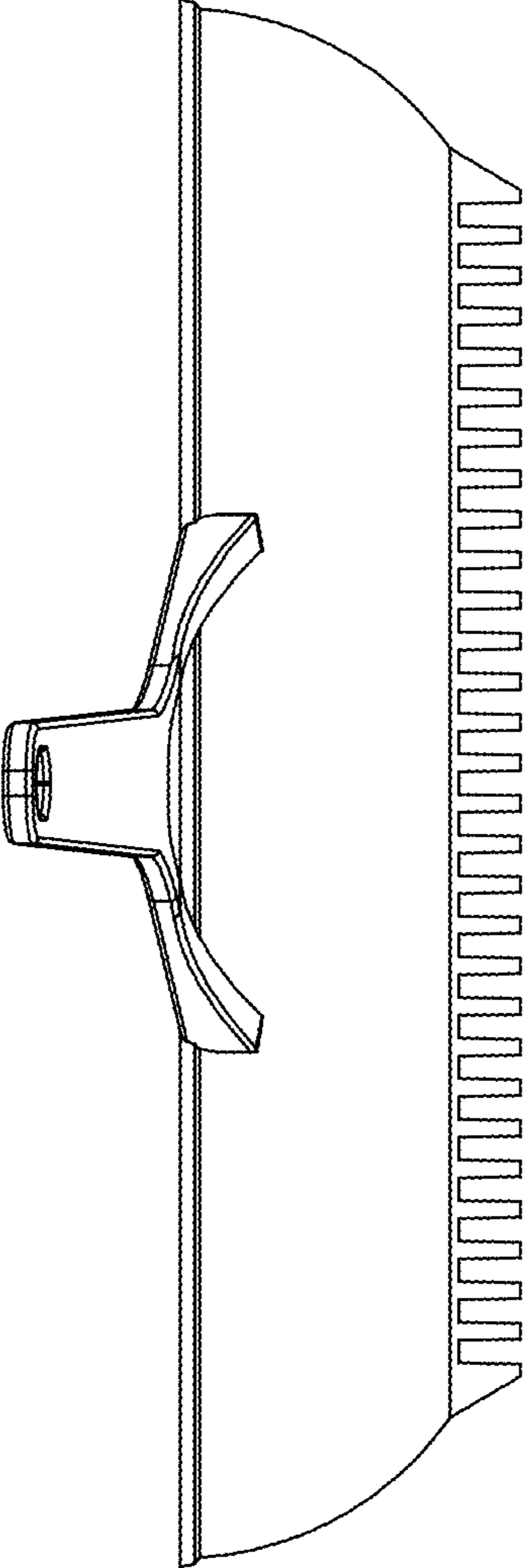


FIG. 3

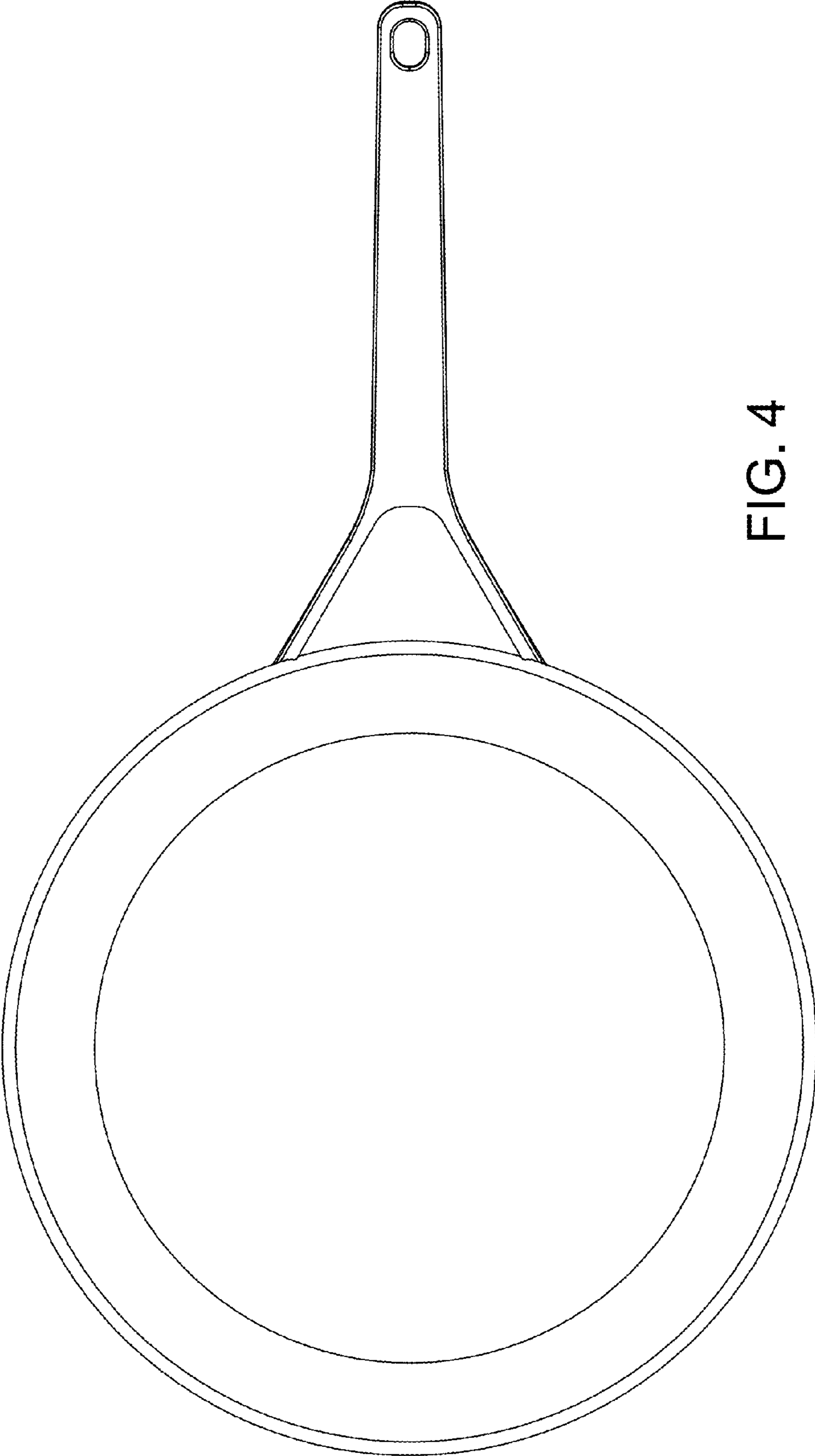


FIG. 4

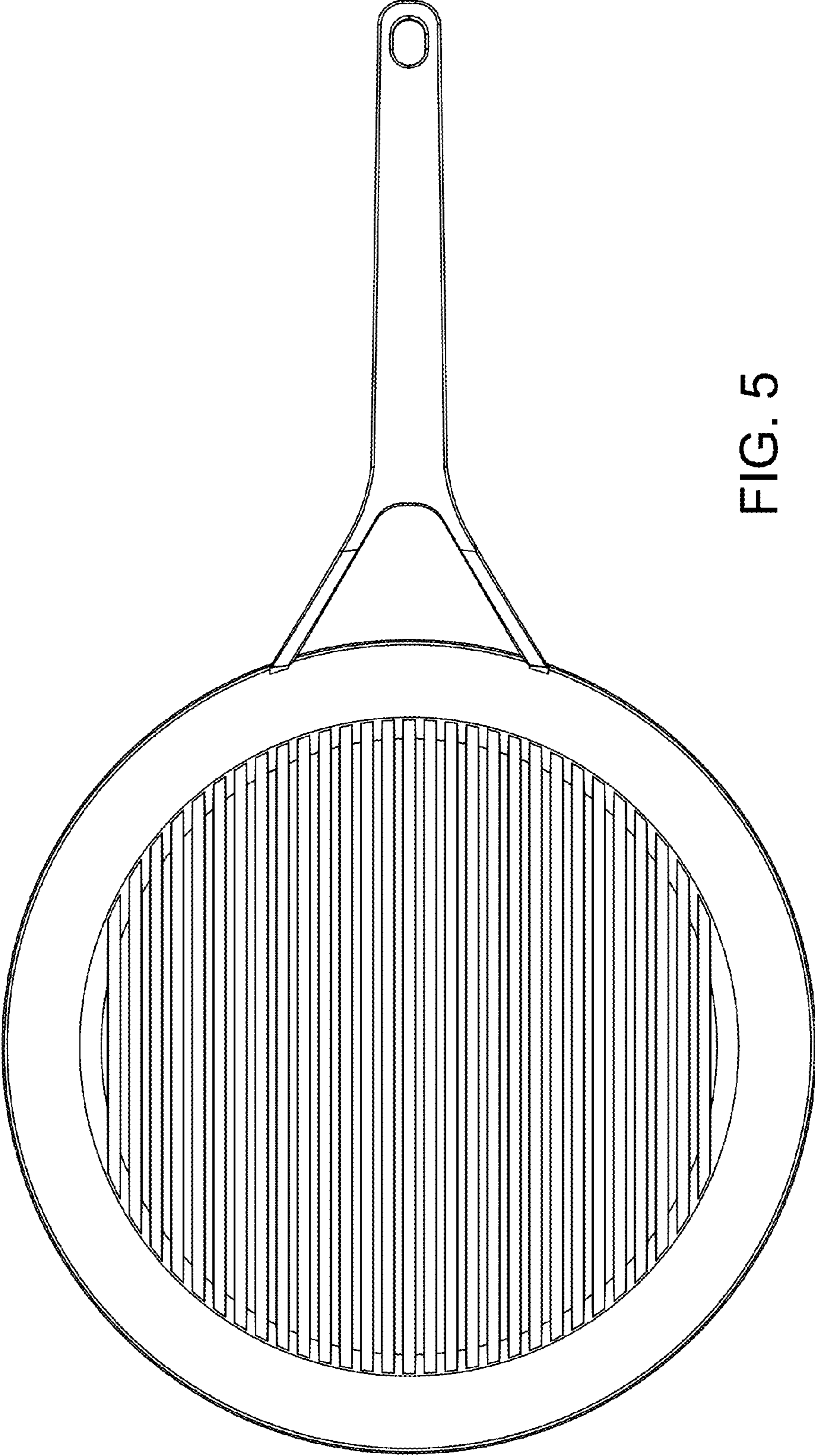


FIG. 5

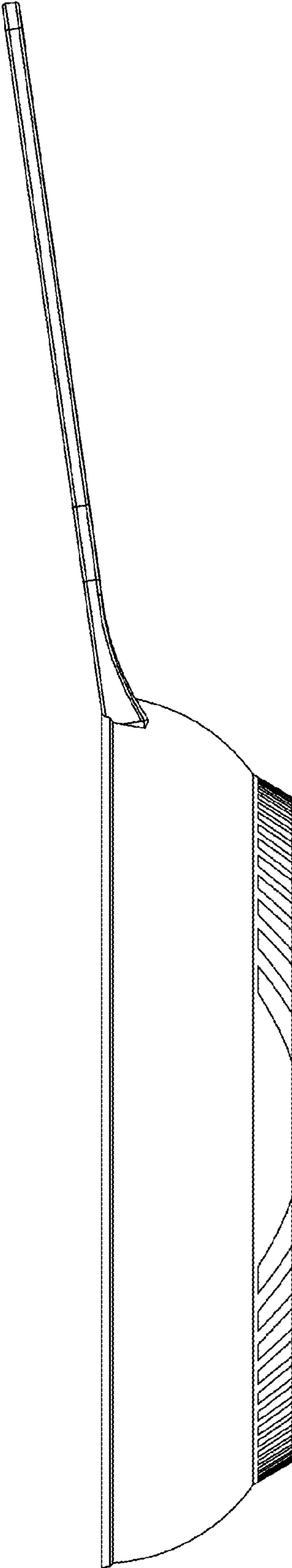


FIG. 6