



US00D682010S

(12) **United States Design Patent**
Stith

(10) **Patent No.:** **US D682,010 S**

(45) **Date of Patent:** **** May 14, 2013**

(54) **EXTENDING POT**

(76) **Inventor:** **Sharay Valesse Stith**, Stewartsville, NJ
(US)

(**) **Term:** **14 Years**

(21) **Appl. No.:** **29/429,614**

(22) **Filed:** **Aug. 14, 2012**

(51) **LOC (9) Cl.** **07-02**

(52) **U.S. Cl.**
USPC **D7/356; D7/354; D7/357**

(58) **Field of Classification Search** D7/323,
D7/329-332, 337-339, 346-347, 350.1-350.4,
D7/353-367, 391-395, 402-406, 538, 542-543,
D7/665; D10/46.3; 99/324-325, 330-332,
99/337-343, 366-369, 400-418, 422, 425,
99/444, 483; 126/37 R, 41 R, 261, 369, 378.1;
206/501-505, 507-508; 219/387, 400, 405,
219/429-442, 452.11, 620-624, 725, 730-735;
220/314-315, 573.1-573.5, 592.16, 912;
426/438, 441

See application file for complete search history.

(56) **References Cited**

U.S. PATENT DOCUMENTS

211,202 A * 1/1879 Whitney et al. 126/369
5,048,688 A * 9/1991 Hicks, Jr. 206/501

D349,420 S * 8/1994 Hasuike D7/360
D396,600 S * 8/1998 Otero D7/356
D414,375 S * 9/1999 Diulus D7/354
D440,164 S * 4/2001 Kerr D10/46.3
7,617,948 B2 * 11/2009 Cheng 220/573.1
D635,819 S * 4/2011 Molayem D7/357
D639,108 S * 6/2011 Molayem D7/356
D639,109 S * 6/2011 Molayem D7/356
8,123,067 B2 * 2/2012 Thomson 220/573.5

* cited by examiner

Primary Examiner — Ricky Pham

(74) *Attorney, Agent, or Firm* — Sinorica, LLC

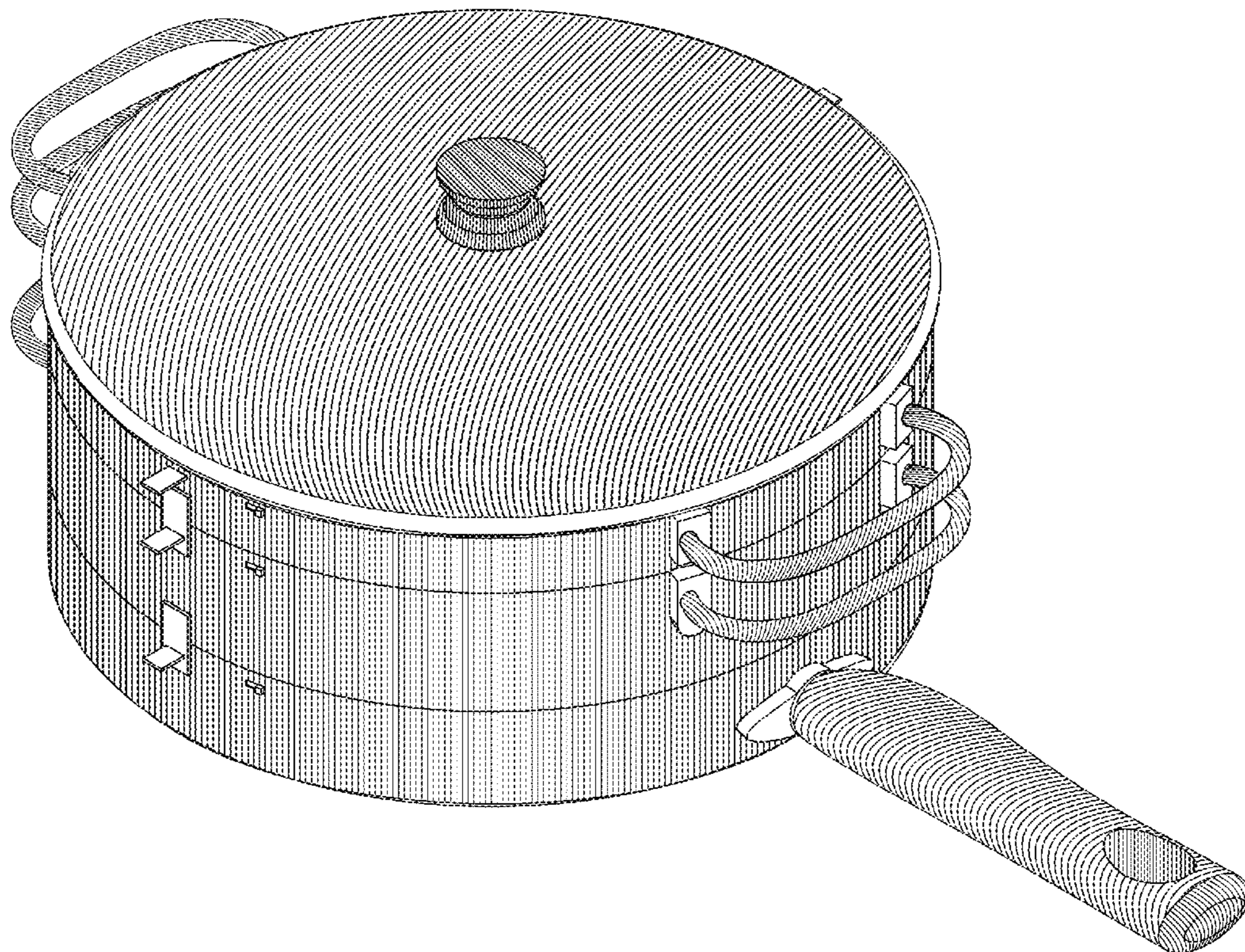
(57) **CLAIM**

The ornamental design for an extending pot, as shown and described.

DESCRIPTION

FIG. 1 is a perspective view of an extending pot;
FIG. 2 is a front view thereof;
FIG. 3 is a rear view thereof;
FIG. 4 is a right view thereof;
FIG. 5 is a left view thereof;
FIG. 6 is a top view thereof;
FIG. 7 is a bottom view thereof;
FIG. 8 is a perspective exploded view thereof; and,
FIG. 9 is a front exploded view thereof.

1 Claim, 9 Drawing Sheets



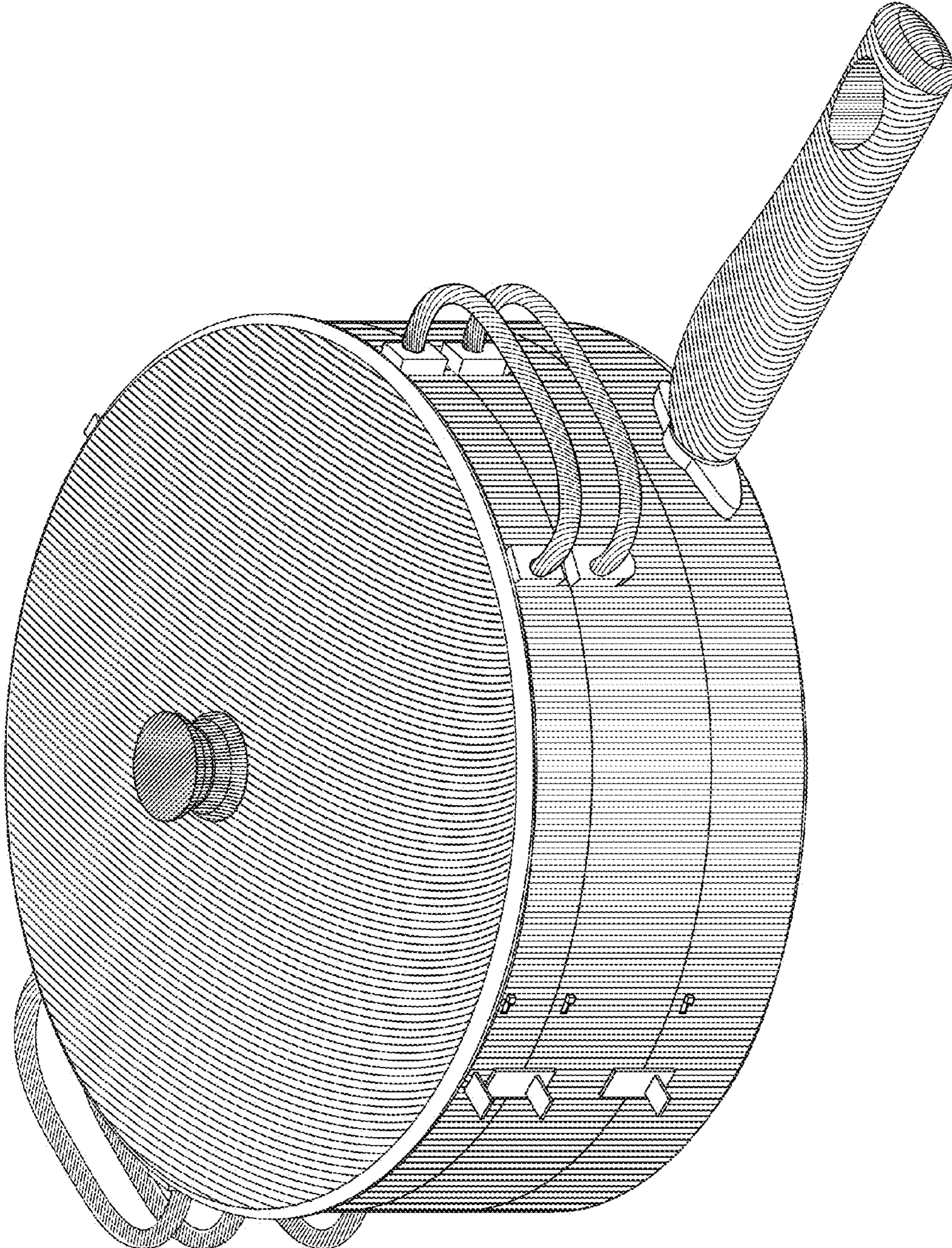


FIG. 1

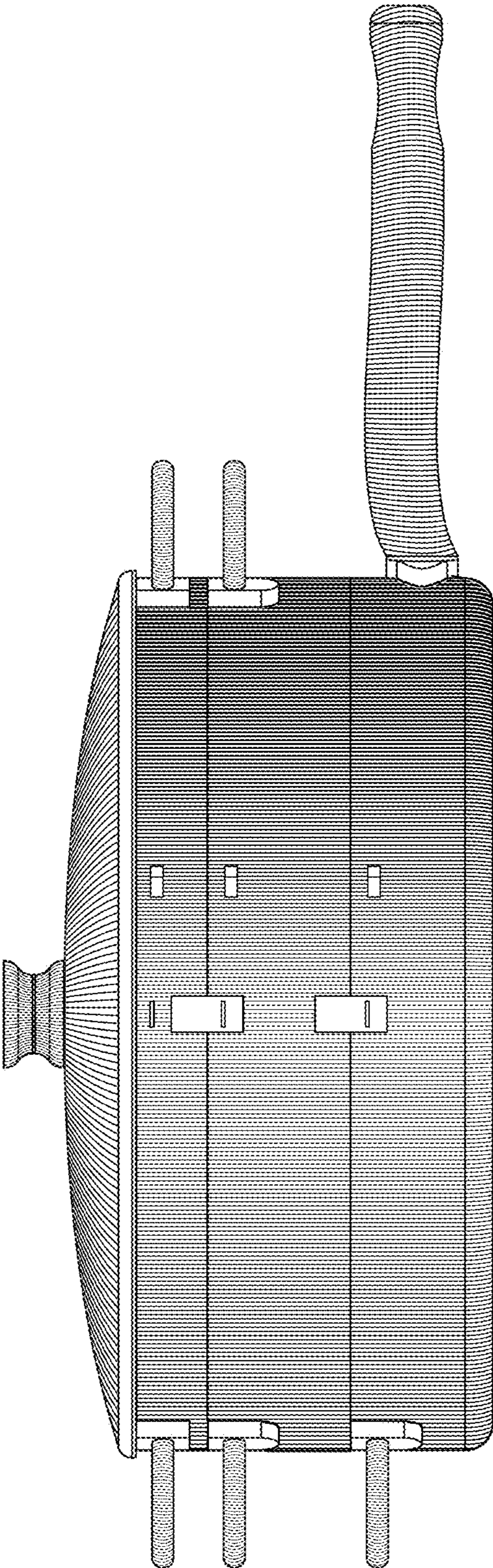


FIG. 2

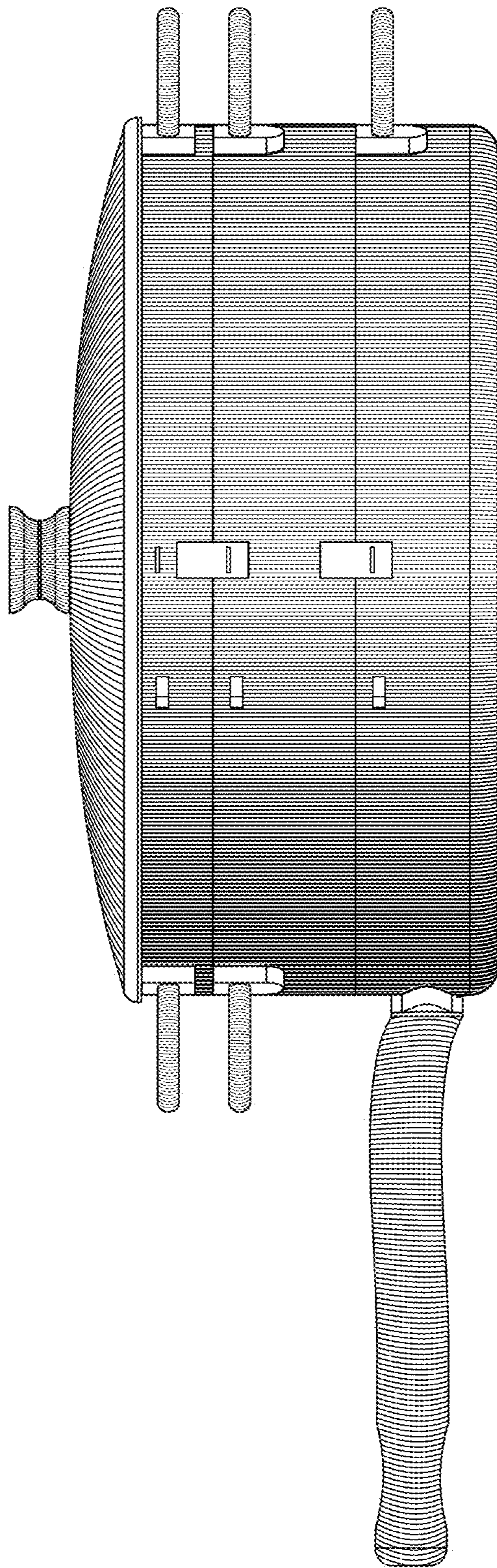


FIG. 3

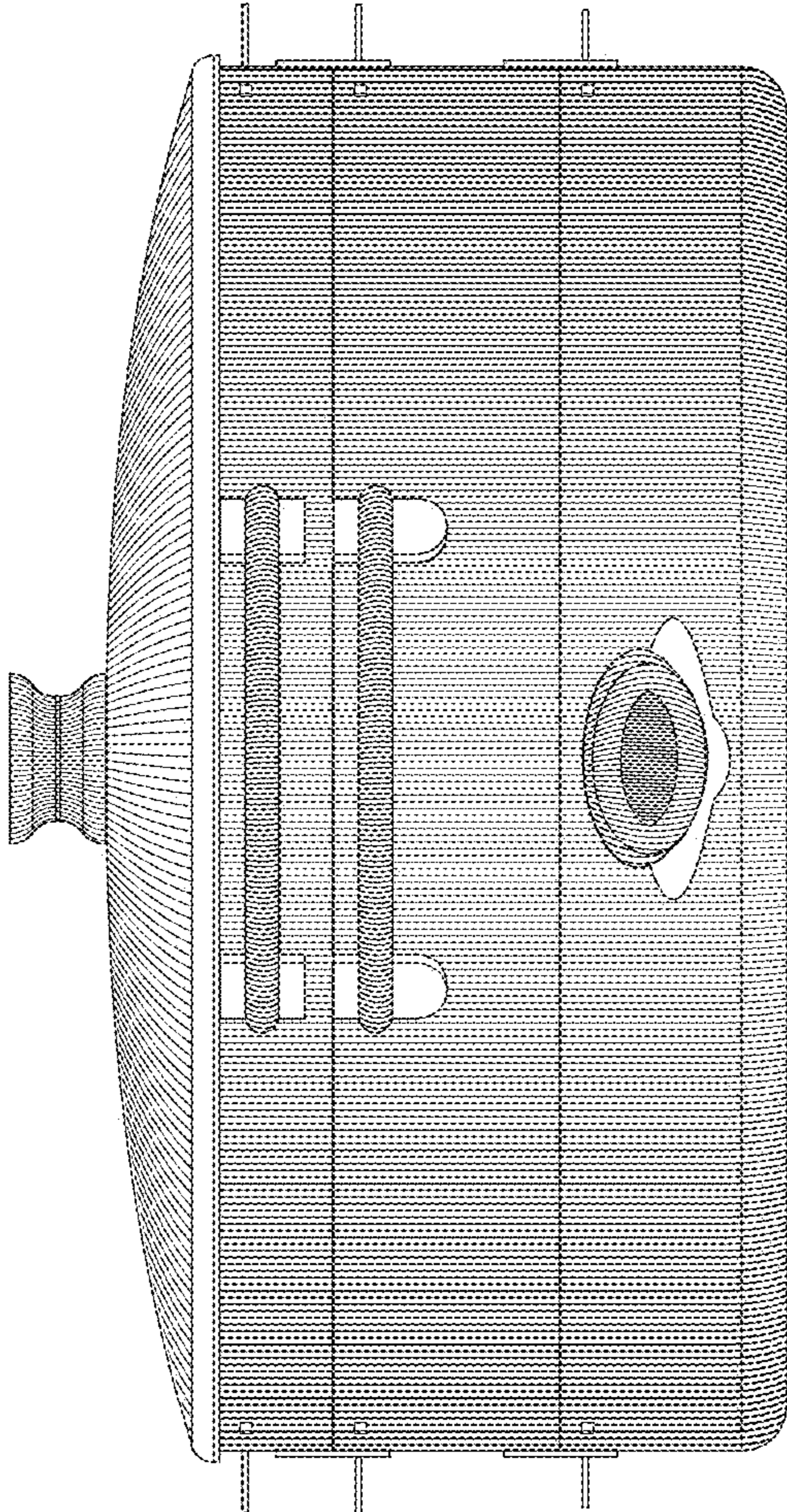


FIG. 4

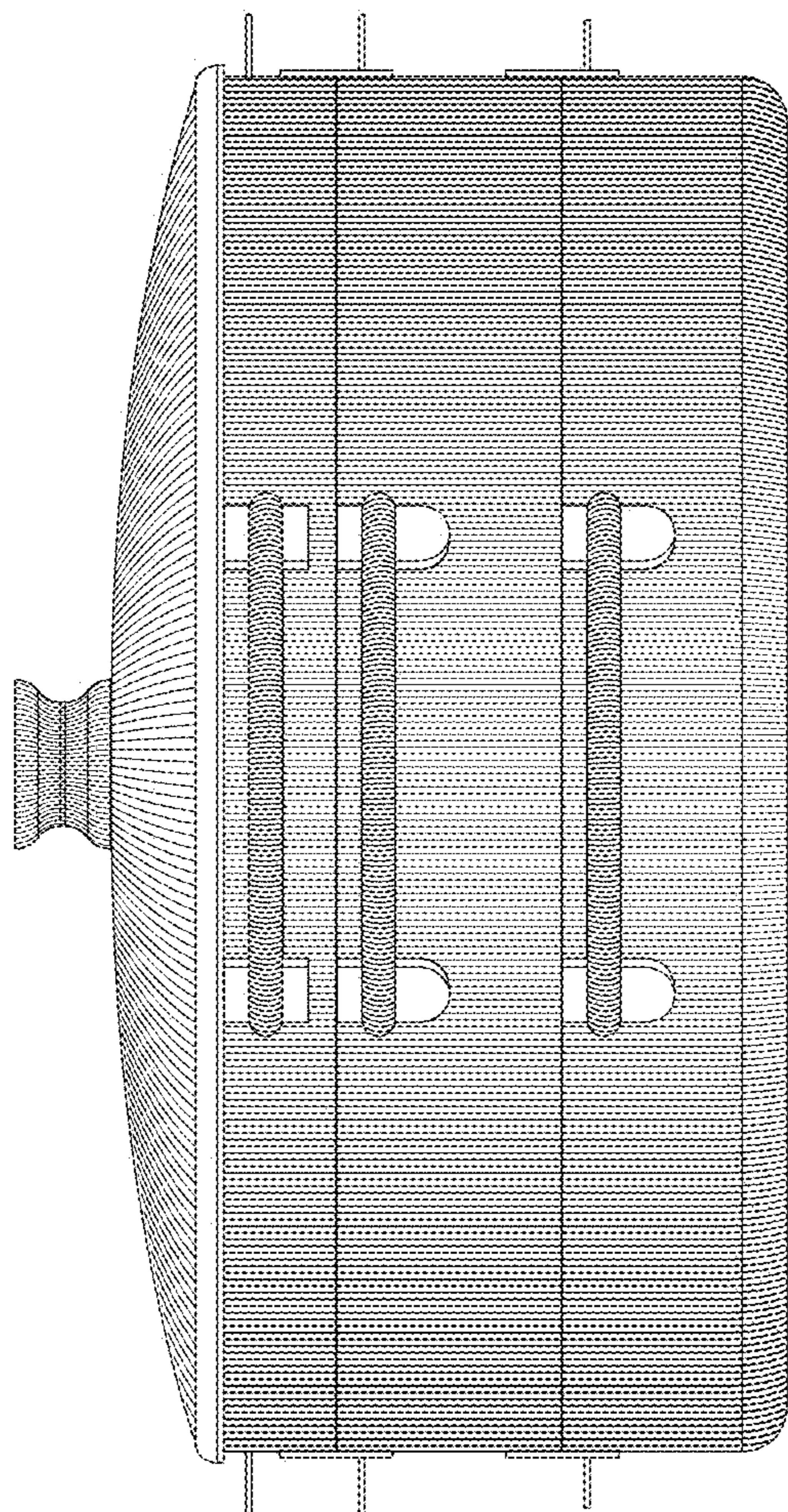


FIG. 5

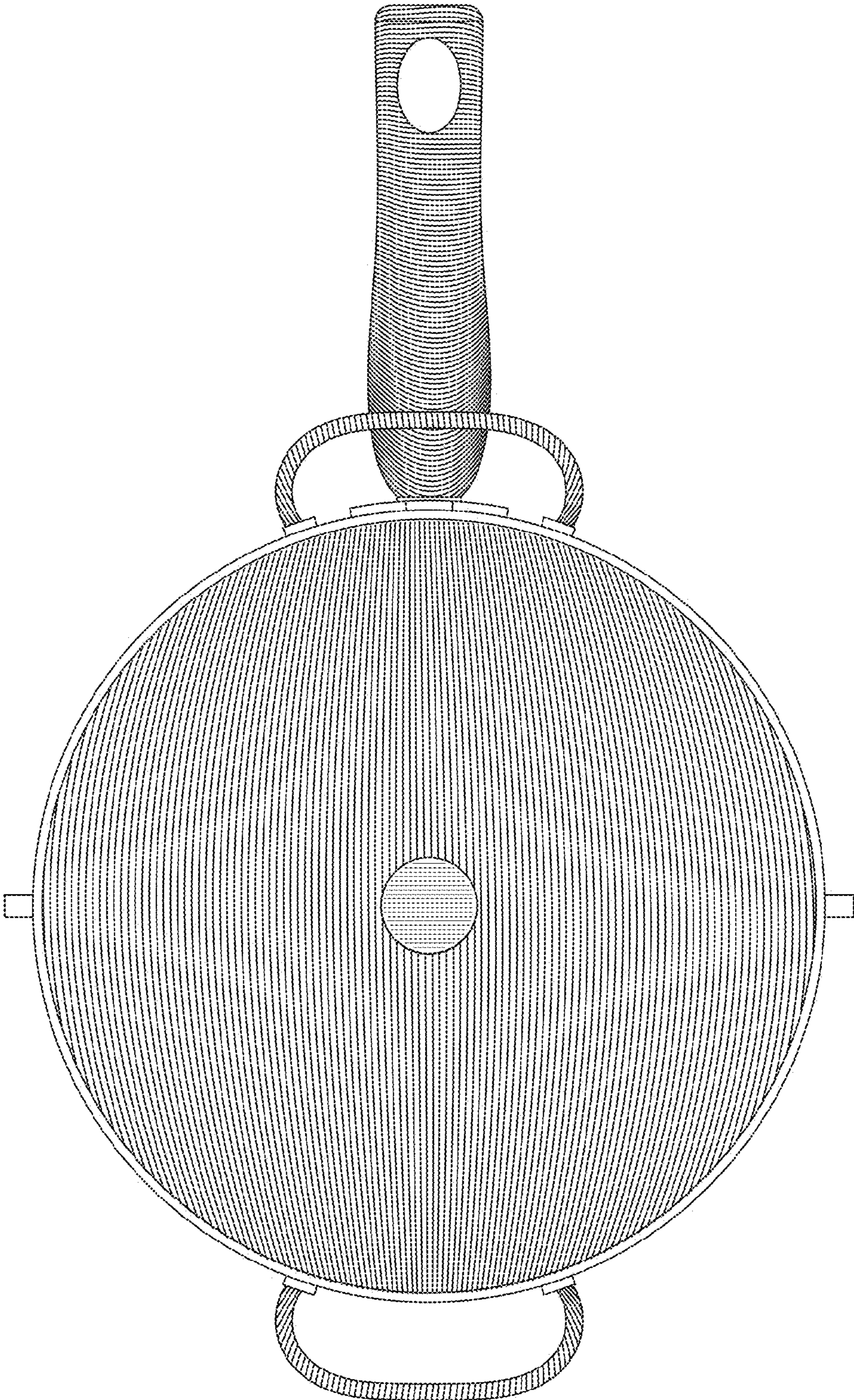


FIG. 6

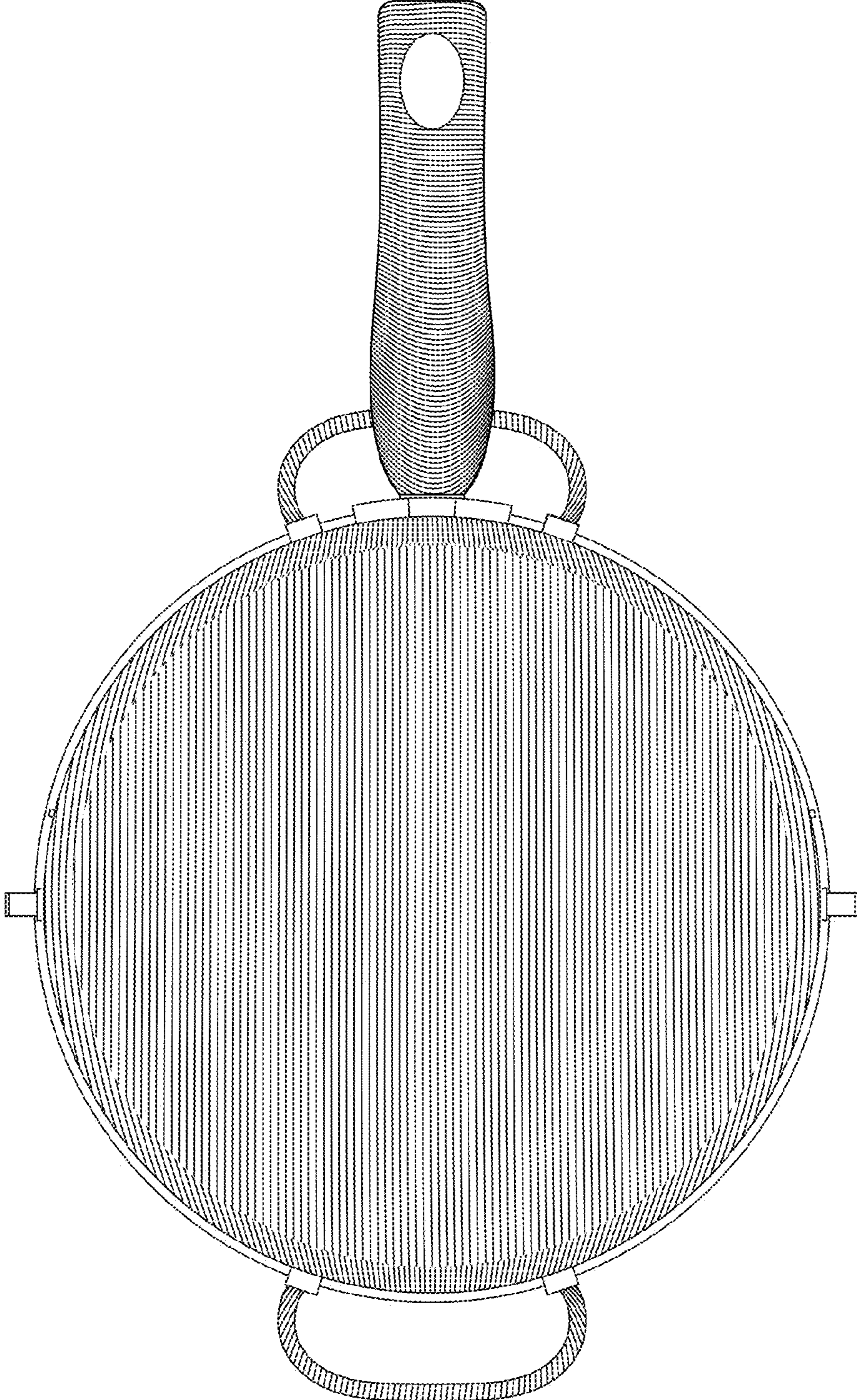


FIG. 7

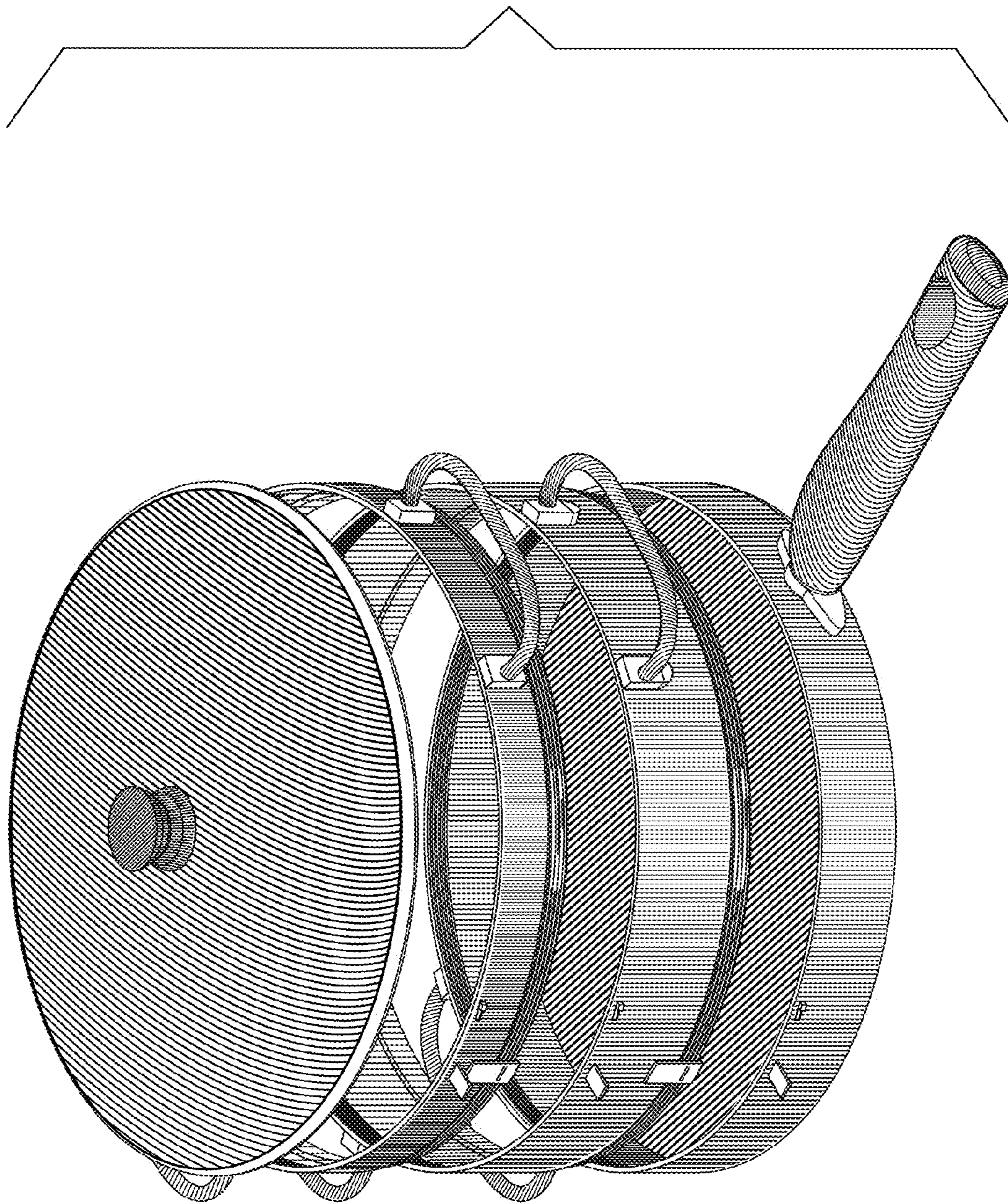


FIG. 8

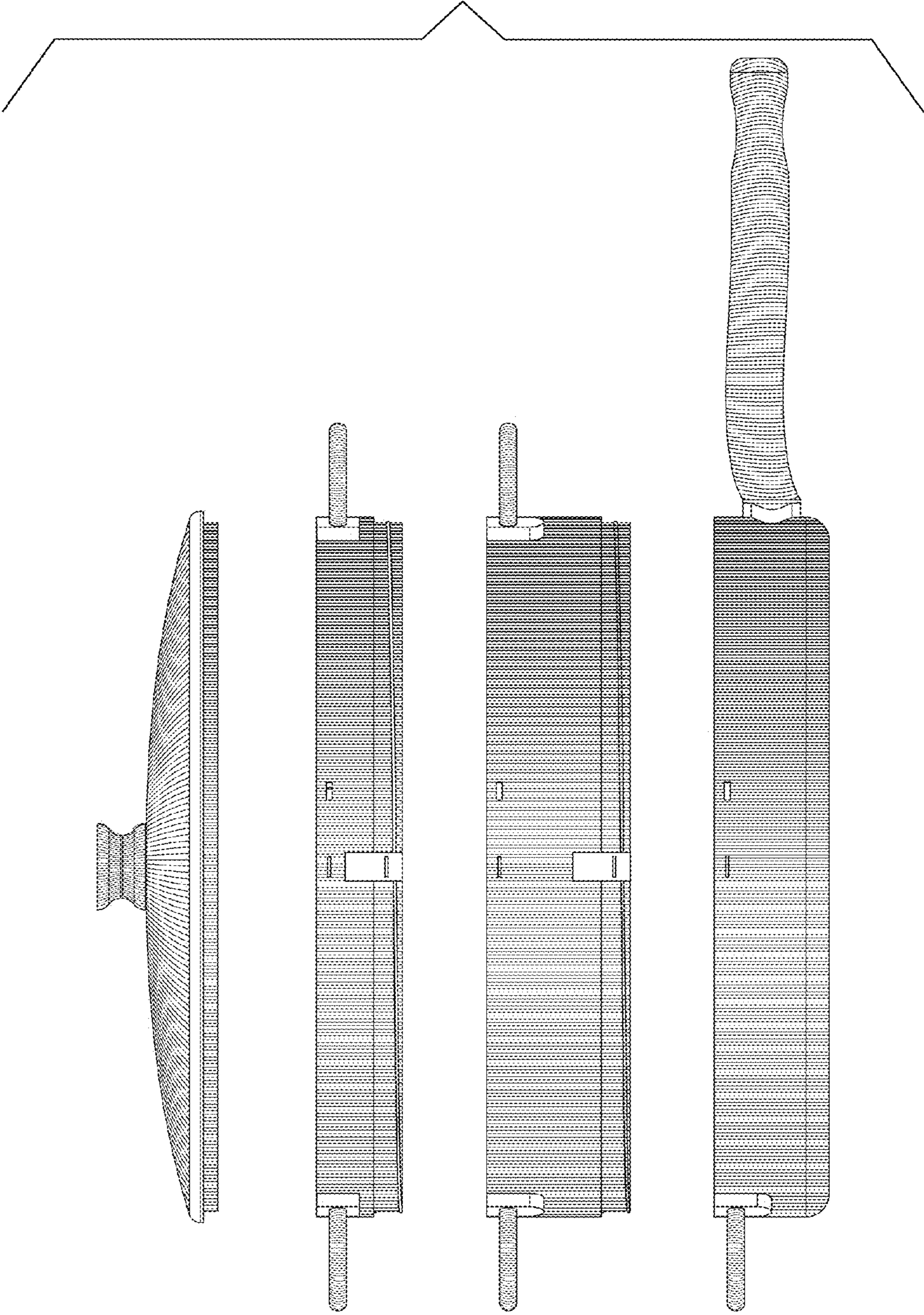


FIG. 9