



US00D682009S

(12) **United States Design Patent**
Day et al.

(10) **Patent No.:** **US D682,009 S**
(45) **Date of Patent:** **** May 14, 2013**

(54) **COOKING APPLIANCE**

- (71) Applicant: **Sunbeam Products, Inc.**, Boca Raton, FL (US)
- (72) Inventors: **Adam Day**, Boynton Beach, FL (US);
Larry Randall, Coral Springs, FL (US);
Scott Henderson, Brooklyn, NY (US)
- (73) Assignee: **Sunbeam Products, Inc.**, Boca Raton, FL (US)
- (**) Term: **14 Years**

(21) Appl. No.: **29/441,324**

(22) Filed: **Jan. 3, 2013**

(51) **LOC (9) Cl.** **07-02**

(52) **U.S. Cl.**
USPC **D7/354**

(58) **Field of Classification Search** D7/323,
D7/329-332, 337-339, 346-347, 350.1-350.4,
D7/353-367, 391-395, 402-406, 538-543,
D7/590-591, 598, 665, 679; 99/324-325,
99/330-332, 337-343, 366-369, 400-418,
99/422, 425, 444, 483; 126/37 R, 41 R, 261,
126/369, 378.1; 206/501-505, 507-508;
219/387, 400, 405, 429-442, 452.11, 620-624,
219/725, 730-735; 220/314-315, 573.1-573.5,
220/592.16, 912; 241/169.1; 426/438, 441

See application file for complete search history.

(56) **References Cited**

U.S. PATENT DOCUMENTS

D420,246	S	*	2/2000	Alonge et al.	D7/360
D425,360	S	*	5/2000	Dobson et al.	D7/360
D429,596	S	*	8/2000	Hlava et al.	D7/360
D433,869	S	*	11/2000	Wong et al.	D7/360
7,291,812	B2	*	11/2007	Kaney et al.	219/435
D556,504	S	*	12/2007	Averty	D7/360
D568,676	S	*	5/2008	Steiner et al.	D7/354
D590,654	S	*	4/2009	Perkins et al.	D7/354
D635,818	S	*	4/2011	Tse	D7/357
D641,202	S	*	7/2011	Bock et al.	D7/357
D644,476	S	*	9/2011	Gregory et al.	D7/354
D657,993	S	*	4/2012	Pantaleo	D7/357
2007/0210062	A1	*	9/2007	Gaynor et al.	219/442

* cited by examiner

Primary Examiner — Ricky Pham

(74) *Attorney, Agent, or Firm* — Michael J. Corrigan

(57) **CLAIM**

The ornamental design for the cooking appliance, as shown and described.

DESCRIPTION

FIG. 1 is a front perspective view of the cooking appliance; FIG. 2 is a front view thereof; FIG. 3 is a rear view thereof; FIG. 4 is left side view thereof; FIG. 5 is a right side view thereof; FIG. 6 is a top view thereof; and, FIG. 7 is a bottom view thereof. The portion shown in dashed lines is shown for illustrative purposes only and forms no part of the claimed design.

1 Claim, 6 Drawing Sheets

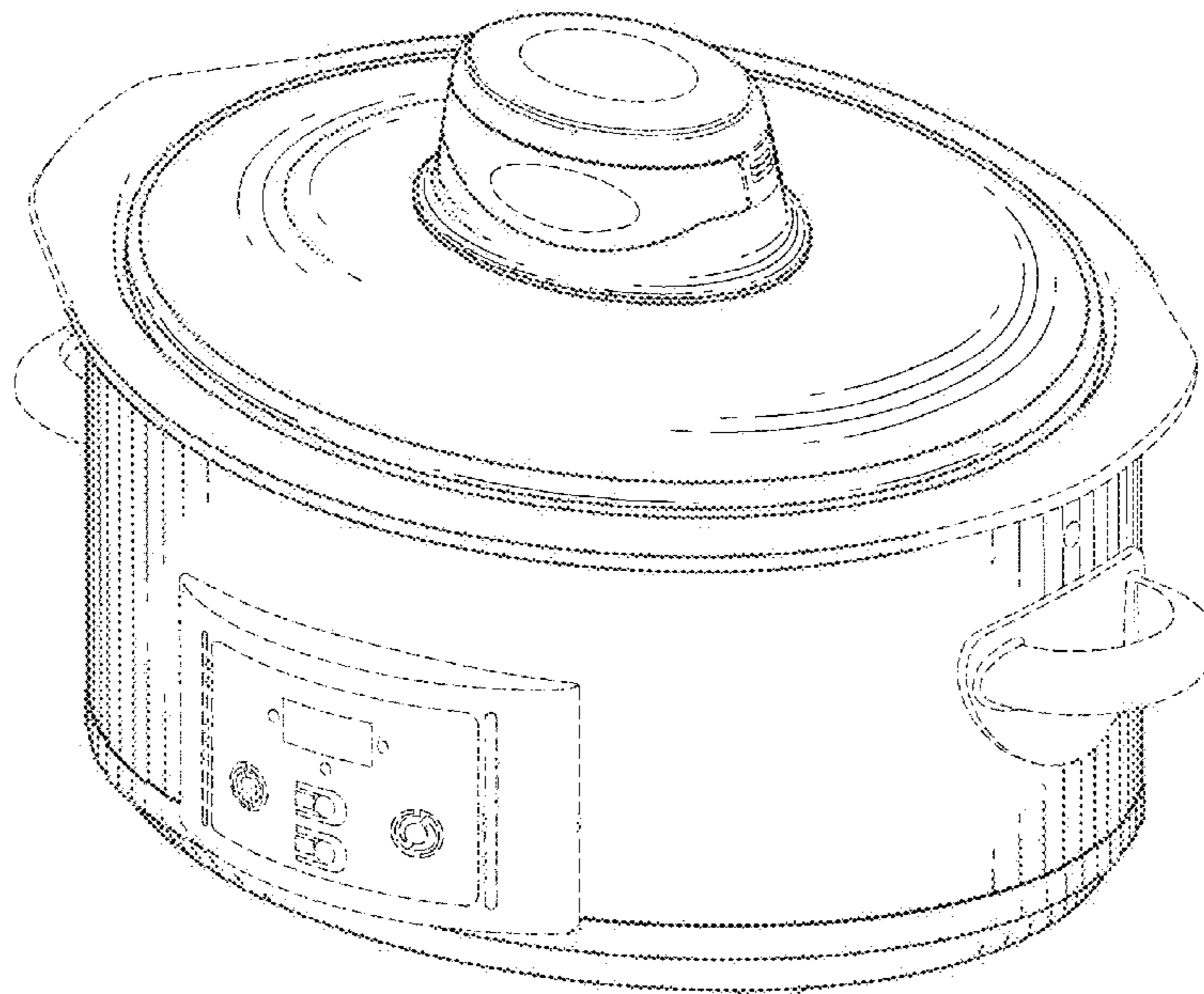
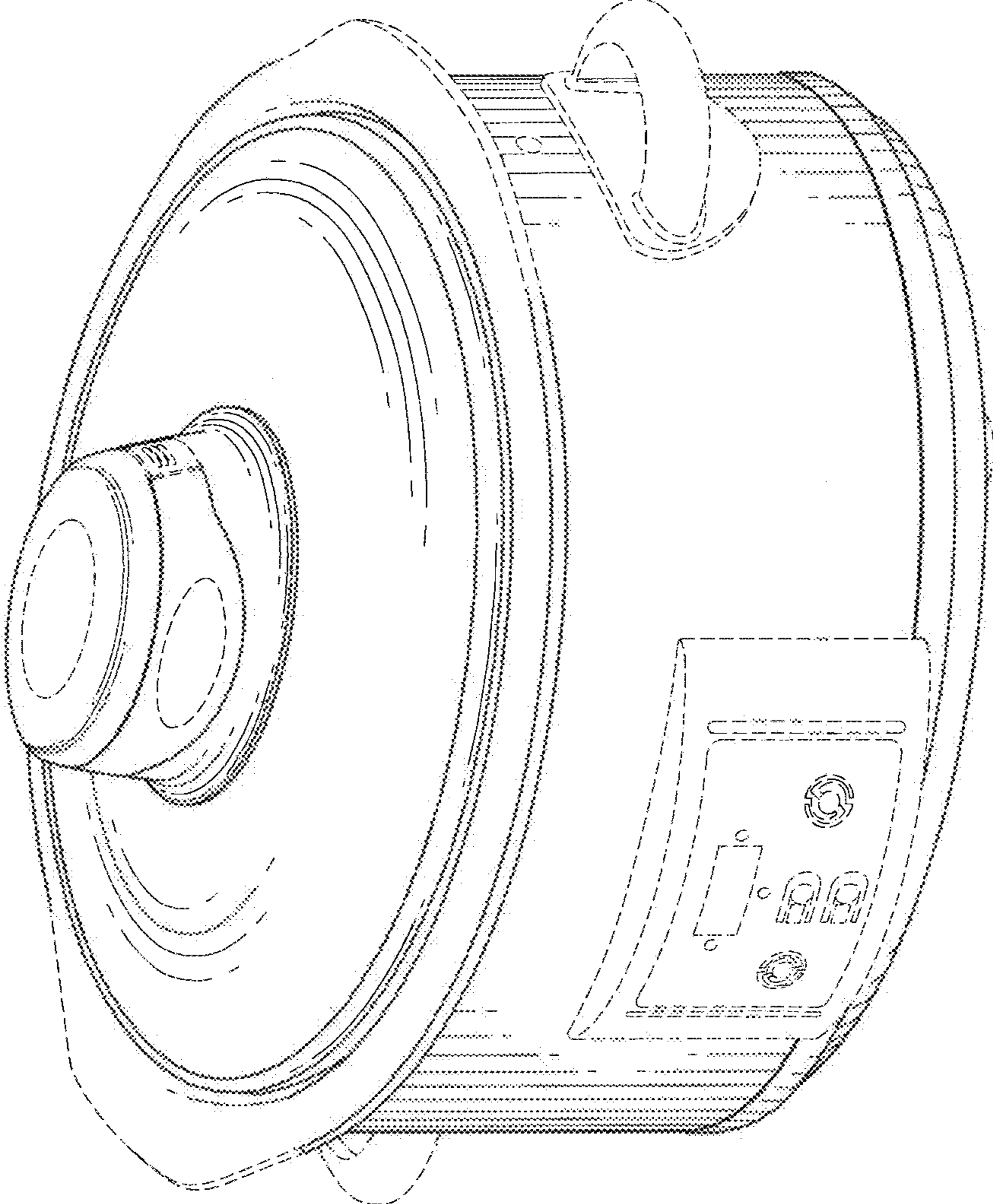


FIG. 1



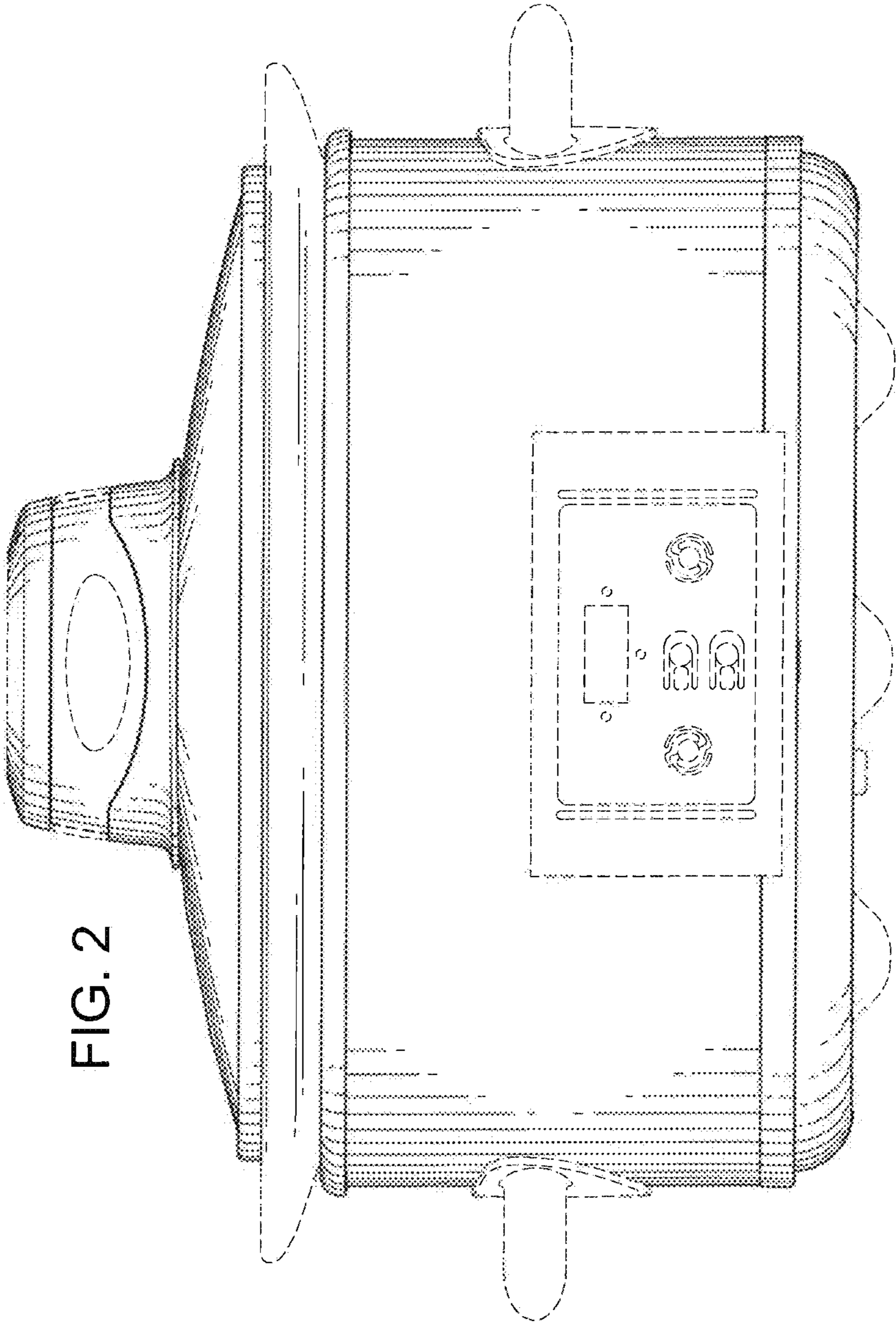


FIG. 2

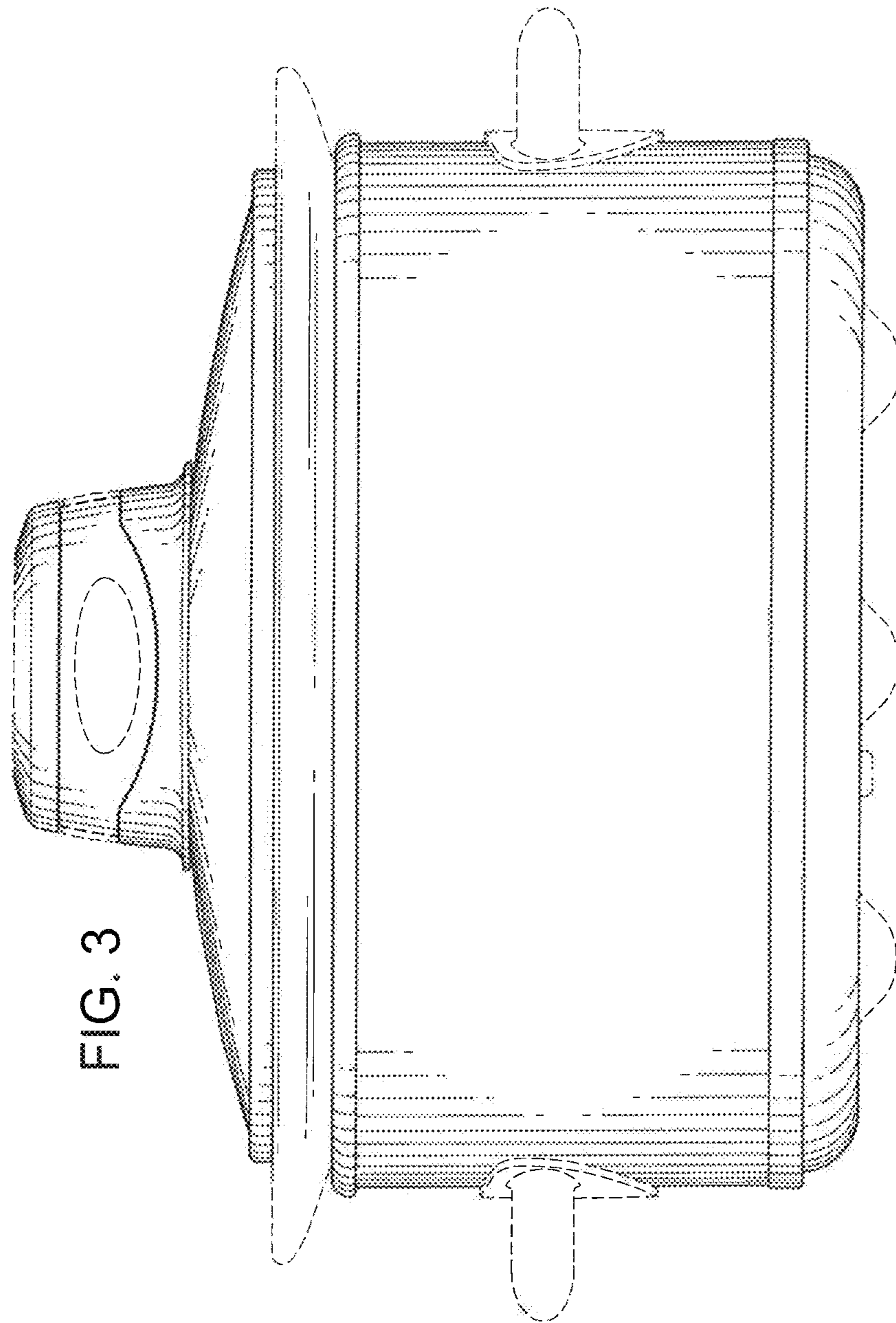


FIG. 3

FIG. 4

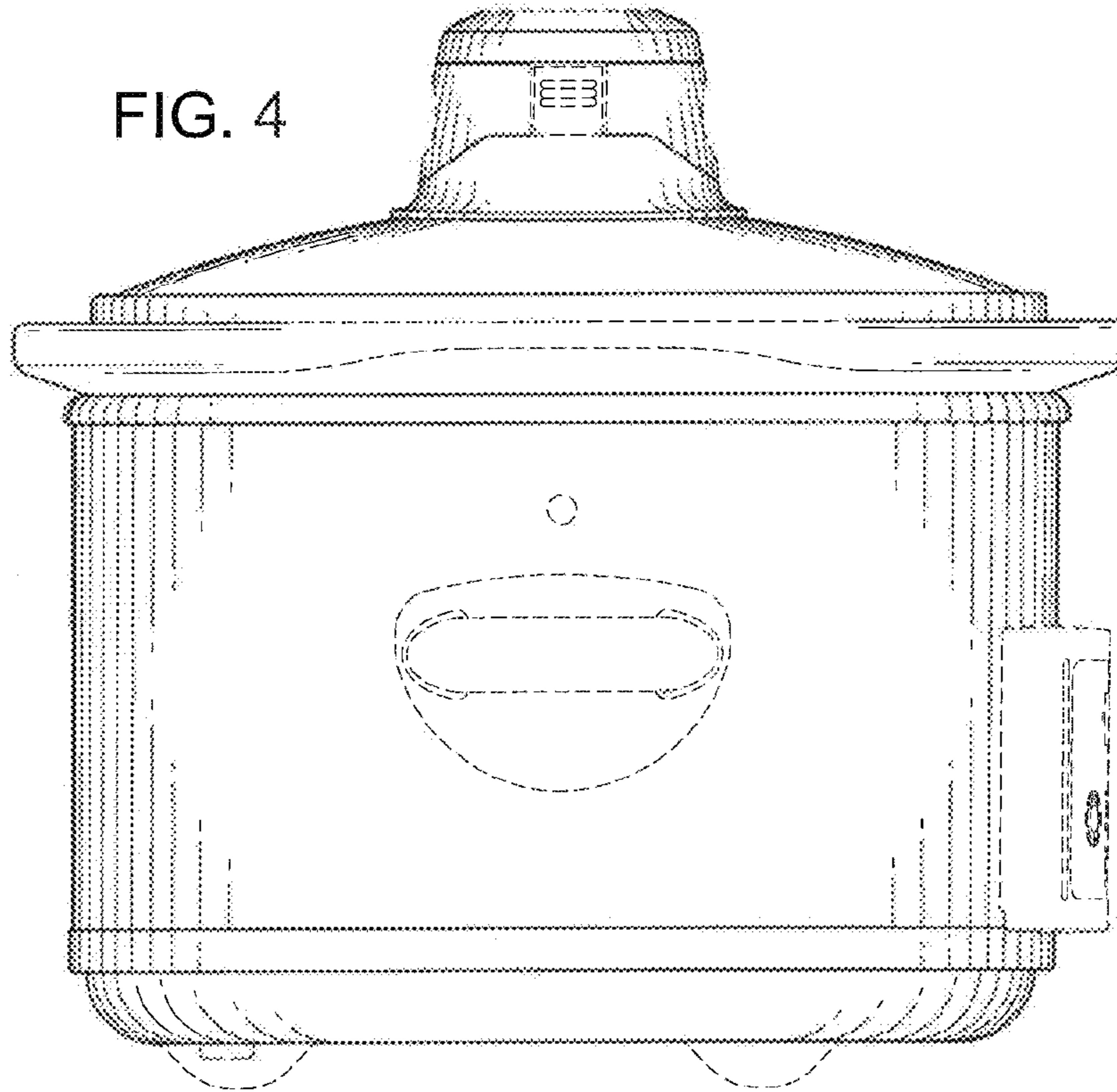
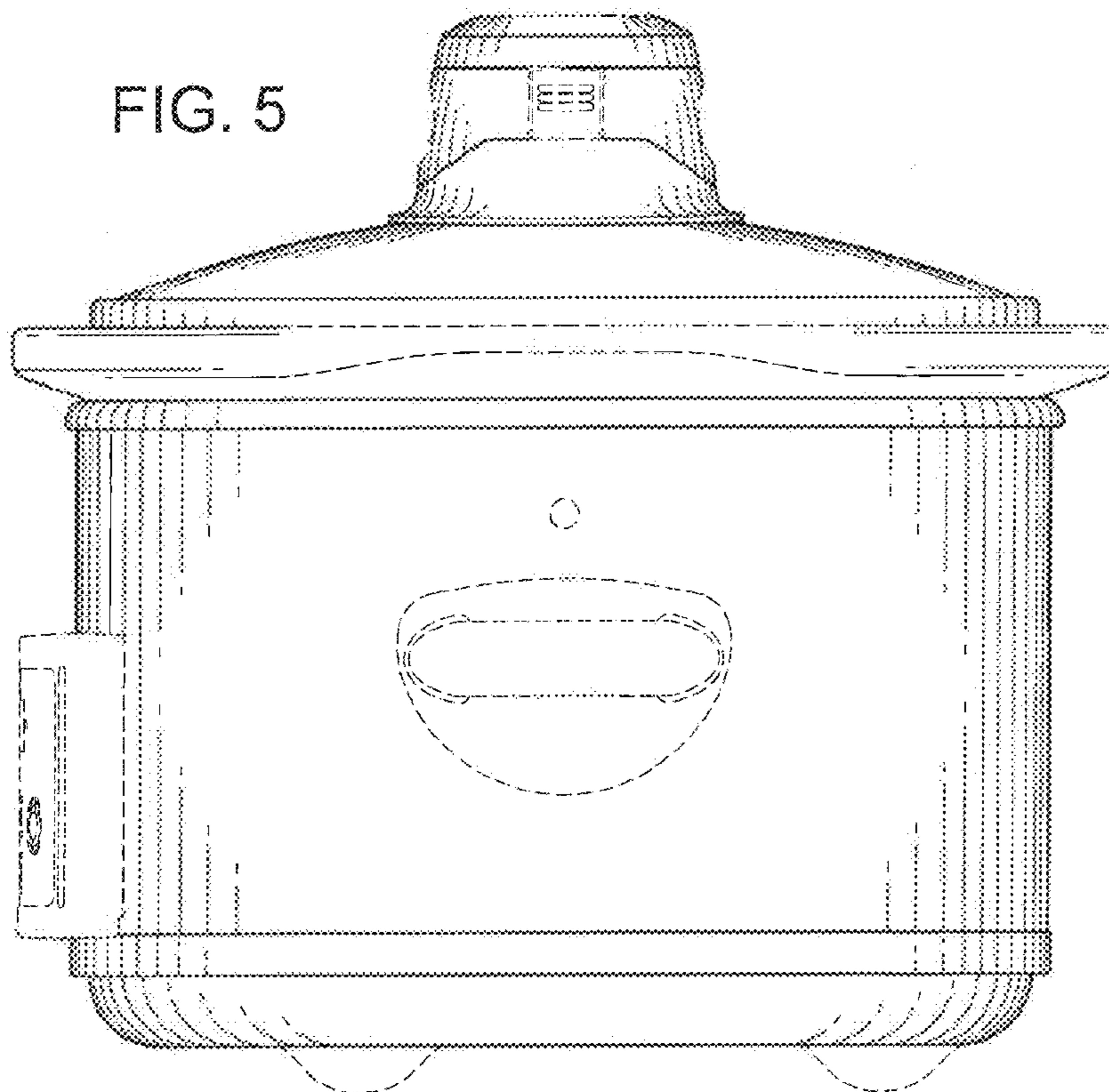


FIG. 5



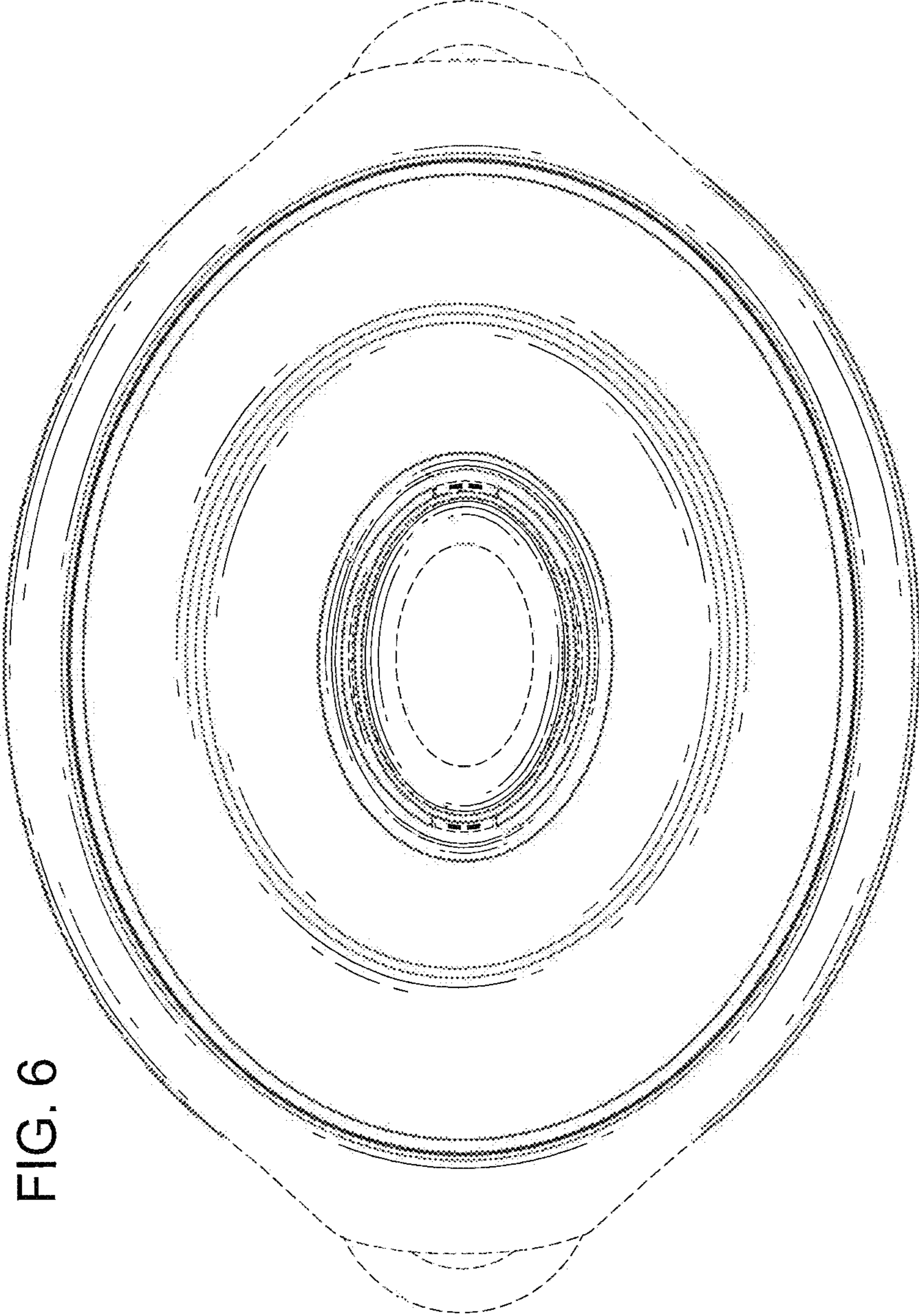


FIG. 6

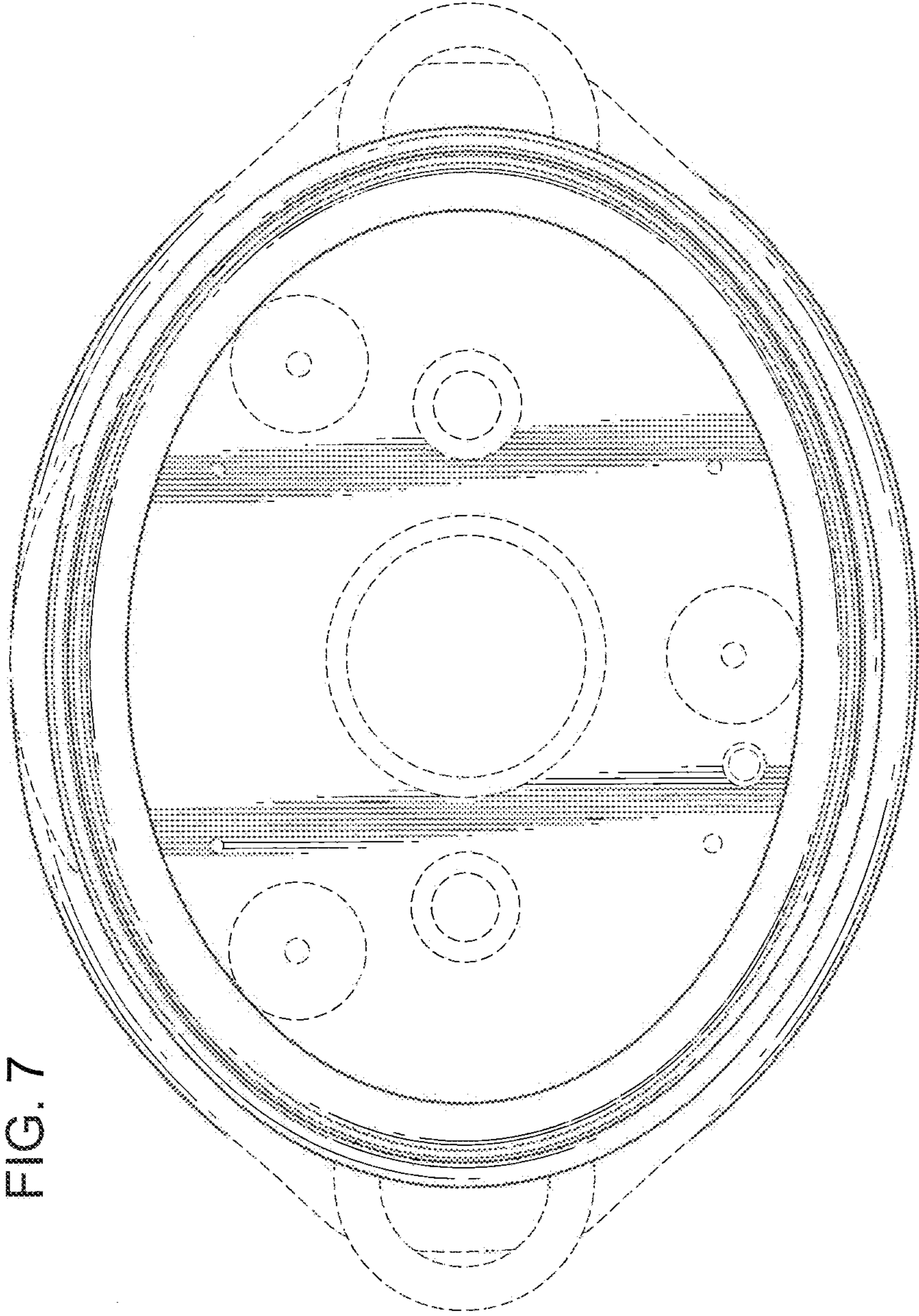


FIG. 7