



US00D682008S

(12) **United States Design Patent**
Shahani

(10) **Patent No.:** **US D682,008 S**
(45) **Date of Patent:** **** May 14, 2013**

- (54) **HINGED COOKING UTENSIL**
- (71) Applicant: **Telebrands Corp.**, Fairfield, NJ (US)
- (72) Inventor: **Rajoo M. Shahani**, Fairlawn, NJ (US)
- (73) Assignee: **Telebrands Corp.**, Fairfield, NJ (US)
- (**) Term: **14 Years**
- (21) Appl. No.: **29/439,206**
- (22) Filed: **Dec. 7, 2012**
- (51) **LOC (9) Cl.** **07-02**
- (52) **U.S. Cl.**
USPC **D7/352; D7/354**
- (58) **Field of Classification Search** D7/323,
D7/329-332, 337-339, 346-347, 350.1-350.4,
D7/352-367, 391-395, 402-409, 538-543,
D7/608, 665; 99/324-325, 330-332, 337-343,
99/366-373, 380, 400-418, 422-425, 444,
99/483; 126/37 R, 41 R, 261, 369, 378.1;
206/501-505, 507-508; 219/387, 400, 405,
219/429-442, 452.11, 524, 620-624, 725,
219/730-735; 220/4.21-4.22, 314-315,
220/573.1-573.5, 592.16, 912; 426/438,
426/441
See application file for complete search history.

1,568,798 A *	1/1926	Caver	220/4.21
1,987,594 A *	1/1935	Chiles et al.	99/426
2,020,349 A	11/1935	Bennett et al.	
D119,081 S	2/1940	Weststrang	
2,463,439 A	3/1949	Strietelmeier	
D157,614 S	3/1950	Milano	
D173,897 S	1/1955	Cunningham et al.	
D179,087 S *	10/1956	Kelso	D7/352
2,830,529 A	4/1958	Jaffe	
3,007,595 A *	11/1961	Remley	220/4.22
3,276,350 A	10/1966	Johns	
D227,333 S	6/1973	Di Lorenzo	
D227,431 S	6/1973	Di Lorenzo	
D231,069 S *	4/1974	Boldt	D7/356
D233,302 S	10/1974	Trovinger	
3,963,898 A *	6/1976	Tuckwell	219/524
4,011,431 A *	3/1977	Levin	219/524
D244,344 S *	5/1977	Rheingold et al.	D7/361
D252,493 S *	7/1979	Barradas	D7/361
D276,971 S	1/1985	Potts	
D281,481 S *	11/1985	Geiser	D7/361
4,773,318 A *	9/1988	Furletti	99/424
4,803,918 A *	2/1989	Carbon et al.	99/377
D312,187 S	11/1990	Khubani	
5,299,492 A *	4/1994	Carbon et al.	99/373

(Continued)

Primary Examiner — Ricky Pham
(74) *Attorney, Agent, or Firm* — Cooper & Dunham LLP

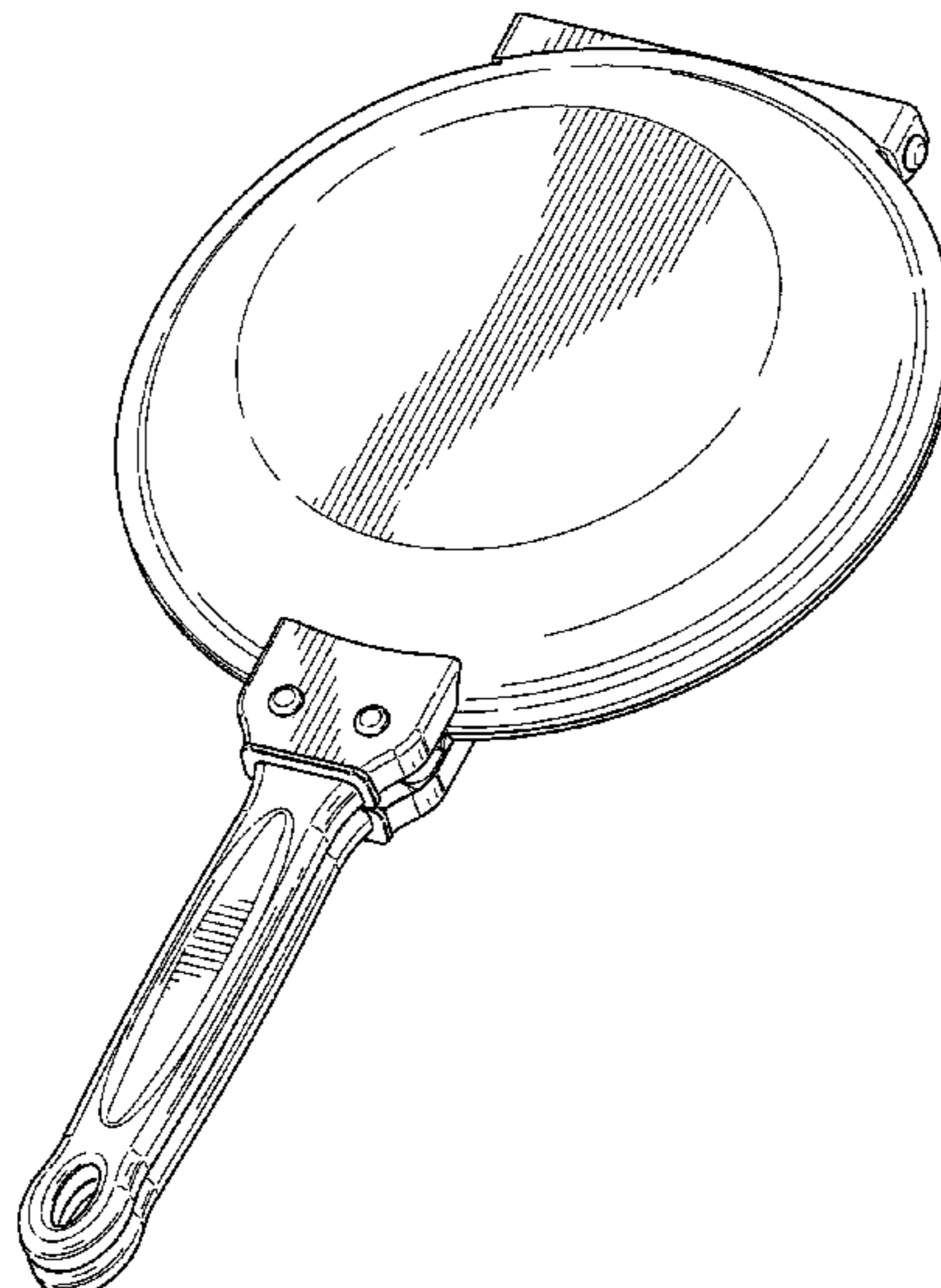
(57) **CLAIM**
The ornamental design for a hinged cooking utensil, as shown and described.

- (56) **References Cited**
- U.S. PATENT DOCUMENTS
- 63,753 A * 4/1867 Russell 99/402
- 111,516 A 2/1871 Colborne et al.
- 267,535 A 11/1882 Hurd
- 268,736 A 12/1882 Shaw
- 434,788 A 8/1890 Jacoby
- 740,050 A 9/1903 Shults
- 951,065 A 3/1910 Ferguson
- 1,010,887 A * 12/1911 French 99/424
- 1,410,818 A * 3/1922 McCargar 99/424

DESCRIPTION

FIG. 1 is a top perspective view thereof;
FIG. 2 is a top view thereof;
FIG. 3 is a bottom view thereof;
FIG. 4 is a left side view thereof;
FIG. 5 is a right side view thereof;
FIG. 6 is a front side view thereof; and,
FIG. 7 is a rear side view thereof.

1 Claim, 5 Drawing Sheets



US D682,008 S

Page 2

U.S. PATENT DOCUMENTS

5,481,963	A	1/1996	Sesona et al.				
5,501,141	A *	3/1996	Mendez et al.	99/426			
5,642,659	A	7/1997	Sesona et al.				
6,035,767	A *	3/2000	Gibson	99/424			
6,508,166	B1 *	1/2003	Hennessey	99/355			
D473,416	S	4/2003	Bart				
6,539,844	B1	4/2003	Bart				
6,550,374	B1	4/2003	Bart				
6,595,114	B1	7/2003	Endres et al.				
D479,944	S *	9/2003	Hennessey	D7/352			
6,681,683	B2	1/2004	Bart				
D518,992	S *	4/2006	Howard	D7/352			
D532,246	S *	11/2006	Lane et al.	D7/353			
D536,921	S *	2/2007	Tarlow et al.	D7/361			
D541,583	S	5/2007	Morgan				
D542,080	S *	5/2007	Trigiani	D7/352			
D663,994	S *	7/2012	Lee	D7/352			
2003/0196561	A1 *	10/2003	Bart	99/424			
2009/0049993	A1	2/2009	Morgan				

* cited by examiner

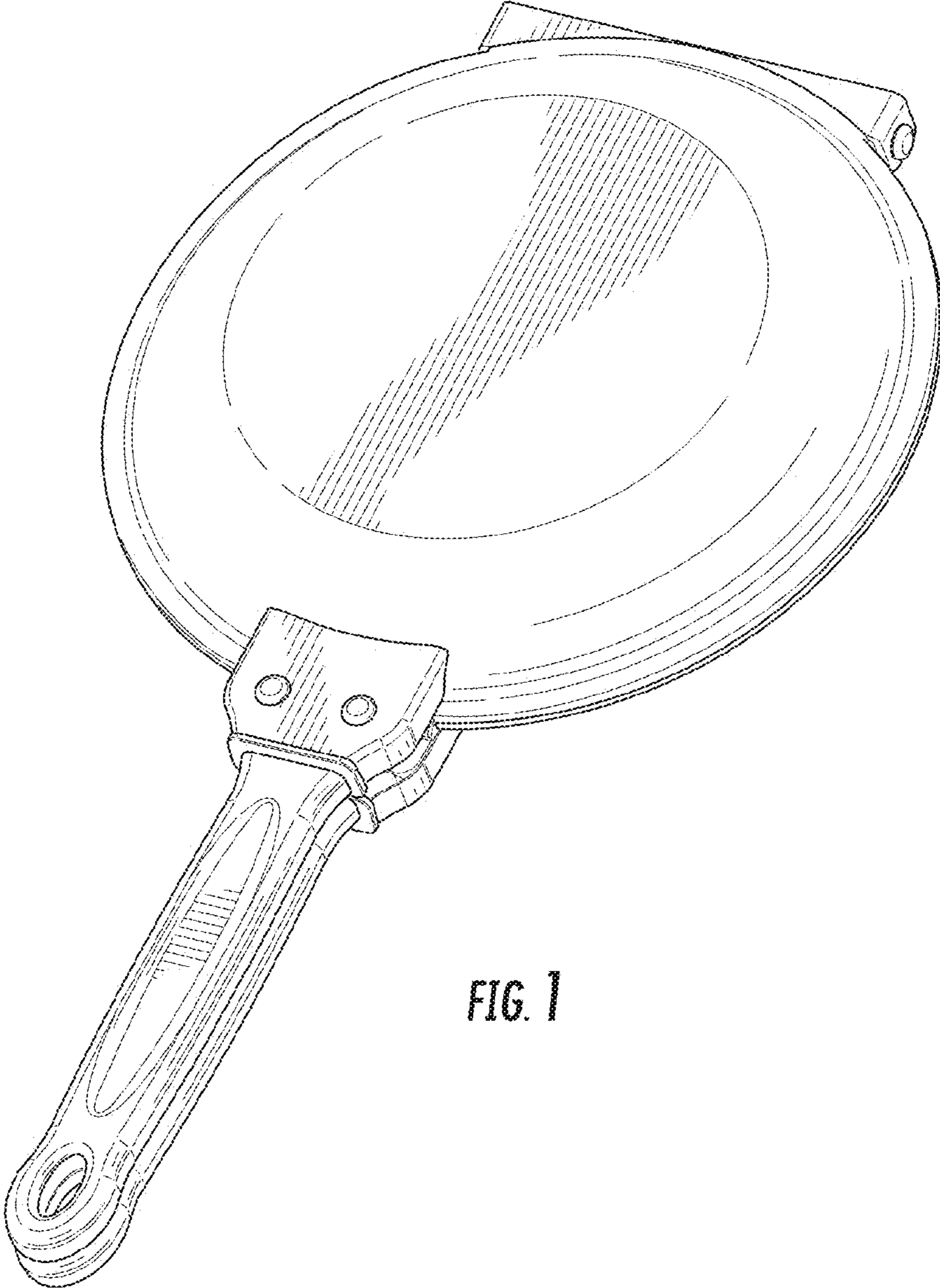


FIG. 1

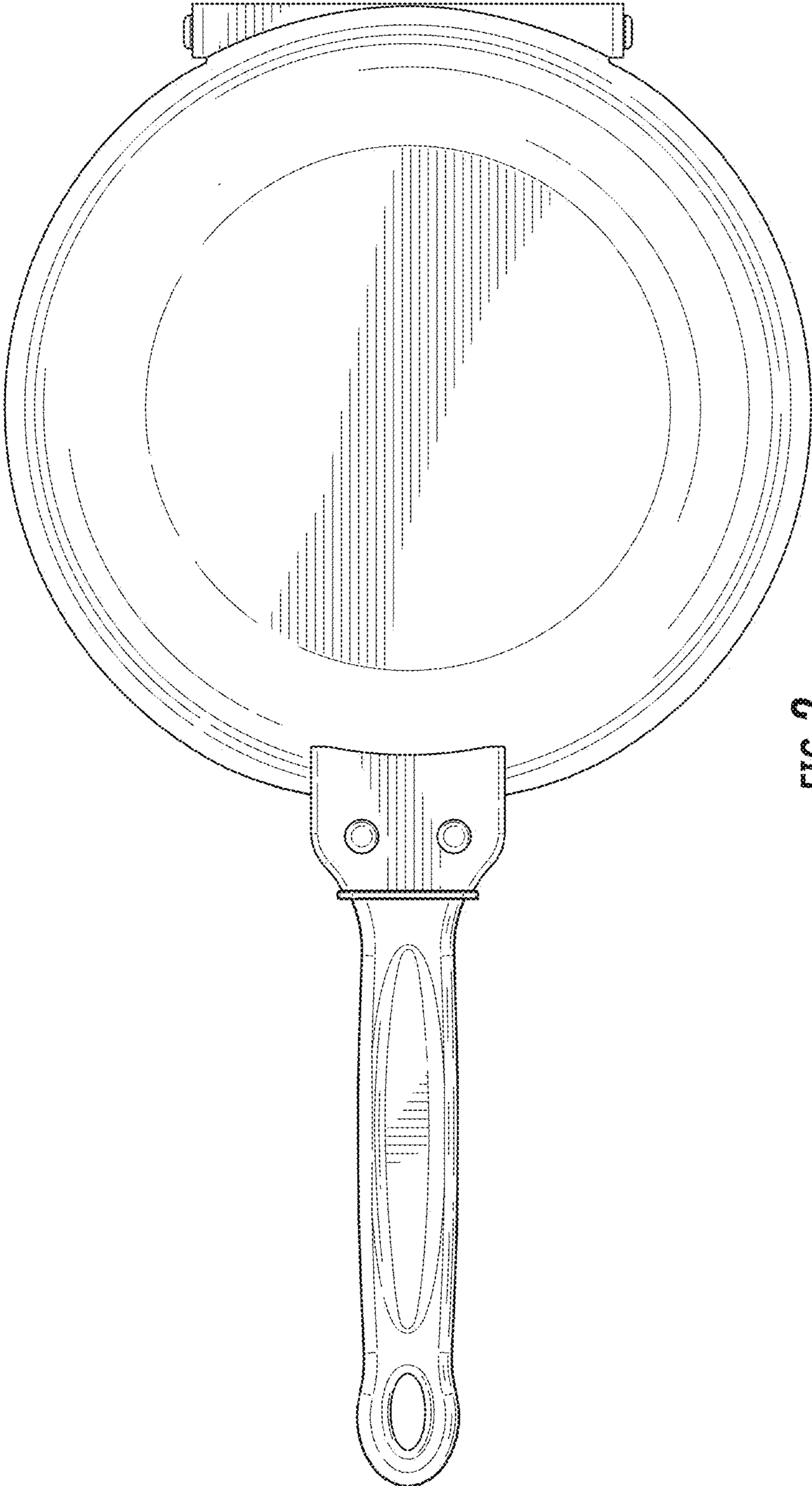


FIG. 2

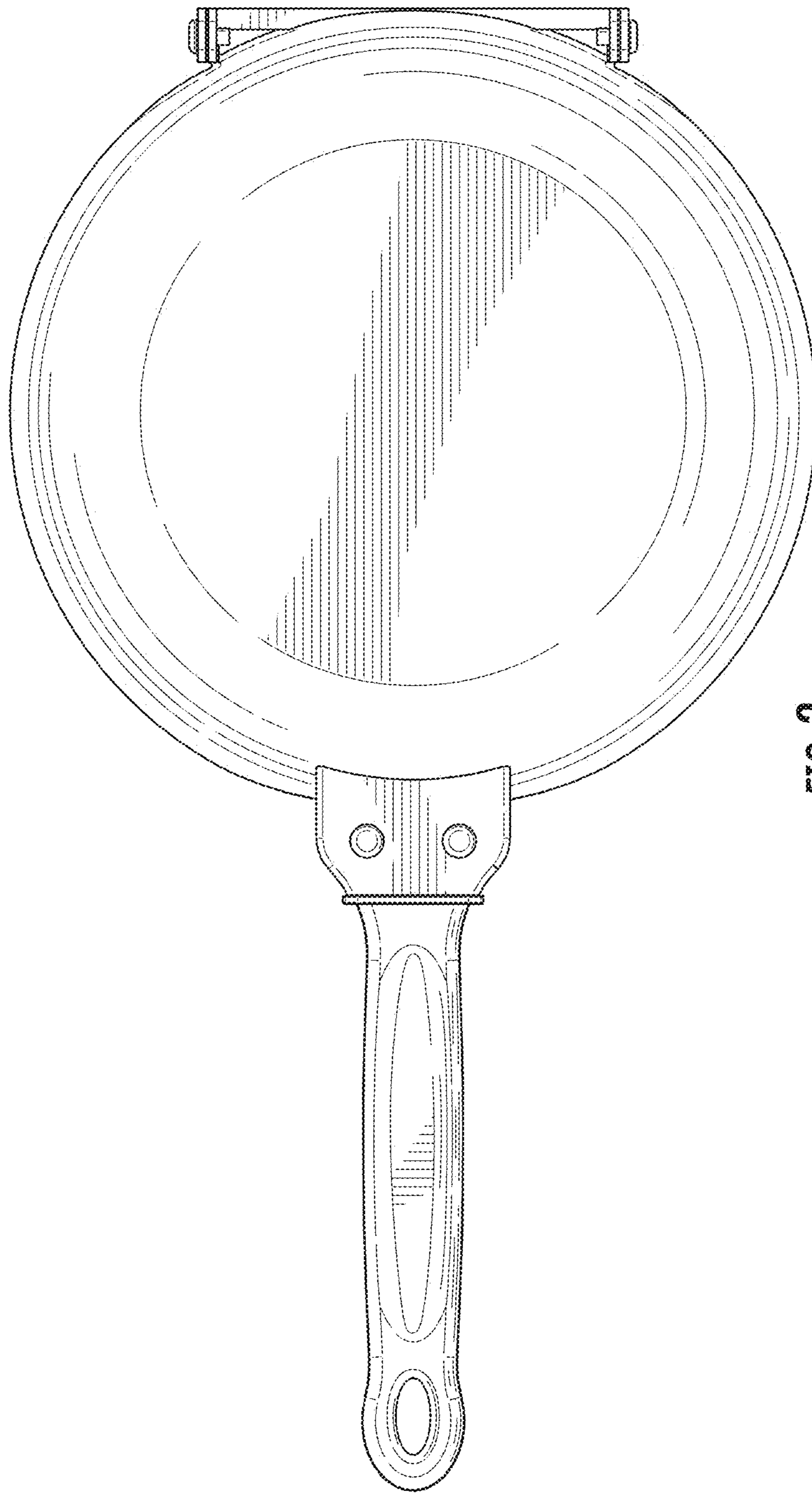


FIG. 3

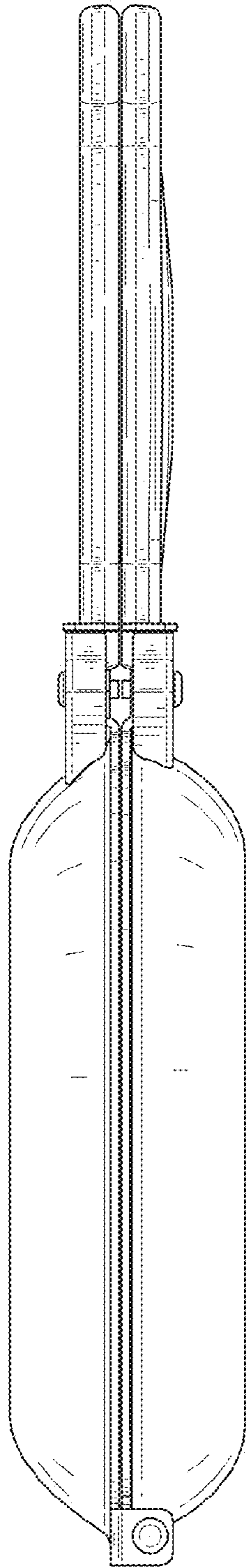


FIG. 4

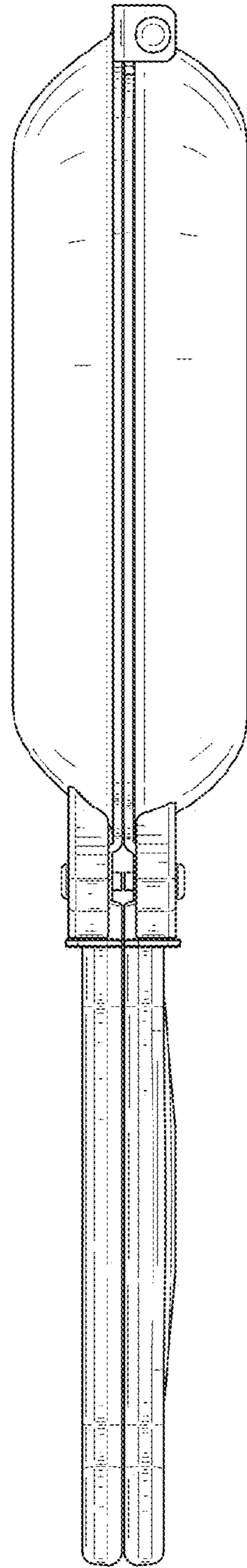


FIG. 5

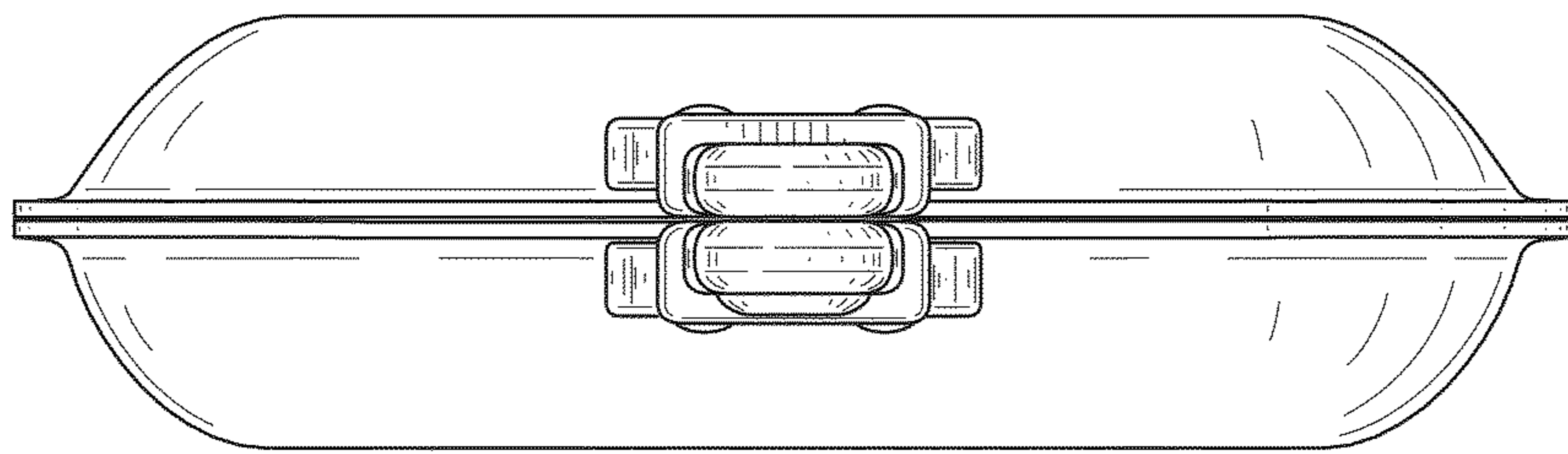


FIG. 6

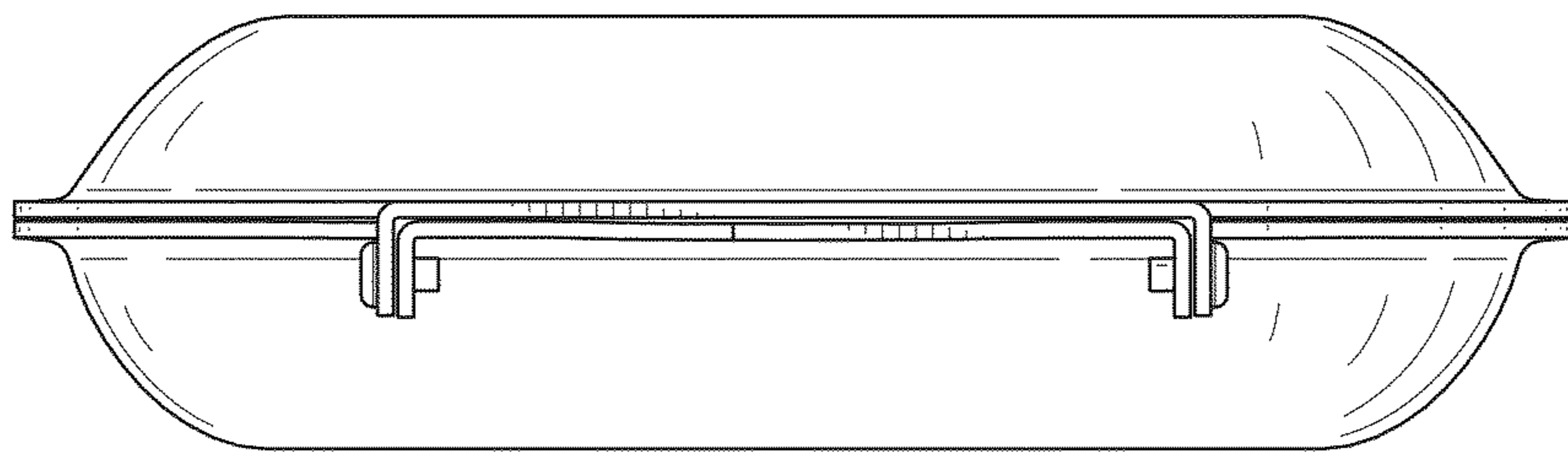


FIG. 7