



US00D682007S

(12) **United States Design Patent**
Davis et al.

(10) **Patent No.:** **US D682,007 S**

(45) **Date of Patent:** **** *May 14, 2013**

(54) **COOKING GRILL**

(75) Inventors: **Mark Edward Davis**, Columbus, GA (US); **Jose Raul Mendez**, Columbus, GA (US)

(73) Assignee: **W. C. Bradley Co.**, Columbus, GA (US)

(*) Notice: This patent is subject to a terminal disclaimer.

(**) Term: **14 Years**

(21) Appl. No.: **29/405,207**

(22) Filed: **Oct. 31, 2011**

(51) **LOC (9) Cl.** **07-02**

(52) **U.S. Cl.**
USPC **D7/334**

(58) **Field of Classification Search** D7/332, D7/334, 337, 402-406, 409; 126/27, 44, 126/25 R, 41 R, 9 R, 40, 50, 38, 39 H, 39 N, 126/39 K, 39 M, 39 R, 39 J, 39 G, 39 E, 126/285 R, 290, 80, 243, 287; 99/425, 444-446, 99/450, 481, 482, 340; 431/247, 207, 264
See application file for complete search history.

(56) **References Cited**

U.S. PATENT DOCUMENTS

D521,308 S * 5/2006 Tseng D7/334
D535,139 S * 1/2007 Lutz D7/334
D549,512 S * 8/2007 Chung D7/334

D549,514 S * 8/2007 Chung D7/334
D560,953 S * 2/2008 Bruno et al. D7/334
D569,168 S * 5/2008 Pai D7/334
D571,604 S * 6/2008 Chung D7/334
D571,605 S * 6/2008 Chung D7/334
D581,199 S * 11/2008 Chau D7/334
D601,378 S * 10/2009 Chung D7/334
D618,034 S * 6/2010 Chung D7/334
D624,782 S * 10/2010 Chung D7/334
D654,757 S * 2/2012 Thimm et al. D7/334
D654,758 S * 2/2012 Thimm et al. D7/334
D662,347 S * 6/2012 May et al. D7/334

* cited by examiner

Primary Examiner — Ruth McInroy

(74) *Attorney, Agent, or Firm* — Fellers, Snider, Blankenship, Bailey & Tippens, P.C.; David G. Woodral

(57) **CLAIM**

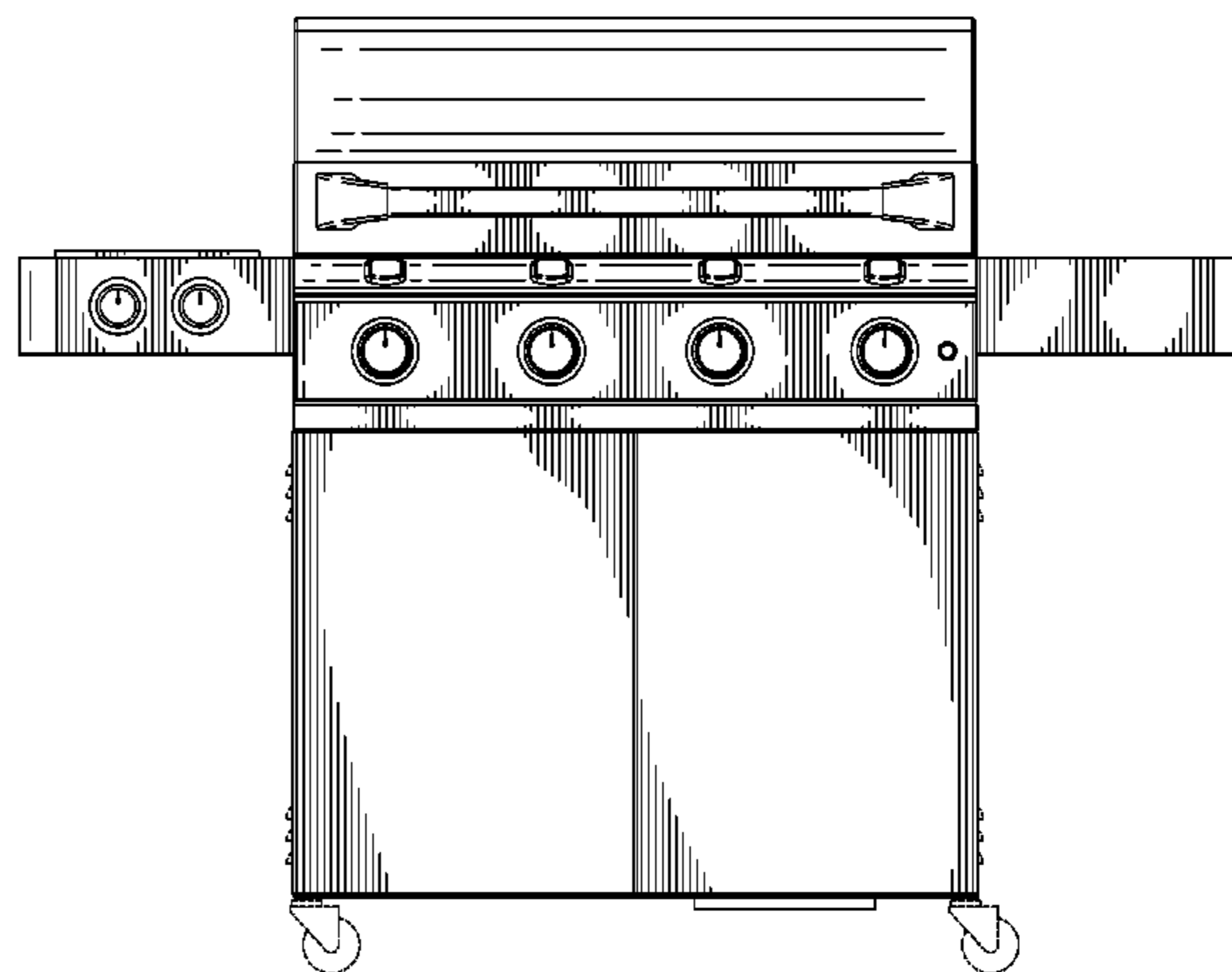
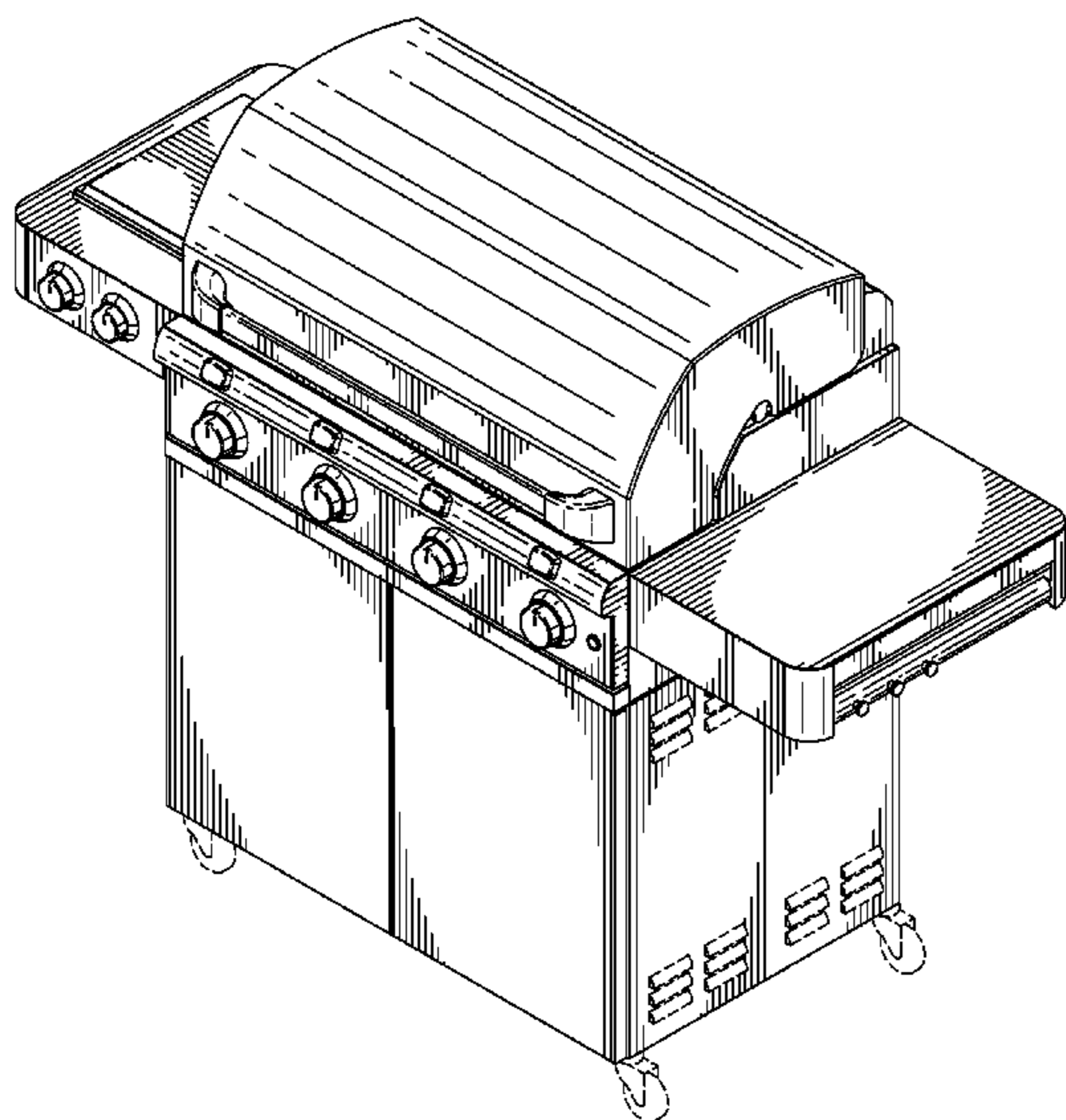
We claim the ornamental design for a cooking grill, as shown and described.

DESCRIPTION

FIG. 1 is a top, front and right side perspective view of a cooking grill showing our new design;
FIG. 2 is a front elevational view.
FIG. 3 is a rear elevational view.
FIG. 4 is a right side elevational view.
FIG. 5 is a left side elevational view; and,
FIG. 6 is a top plan view.

The broken lines are included for the purpose of illustrating portions of the cooking grill that form no part of the claimed design.

1 Claim, 5 Drawing Sheets



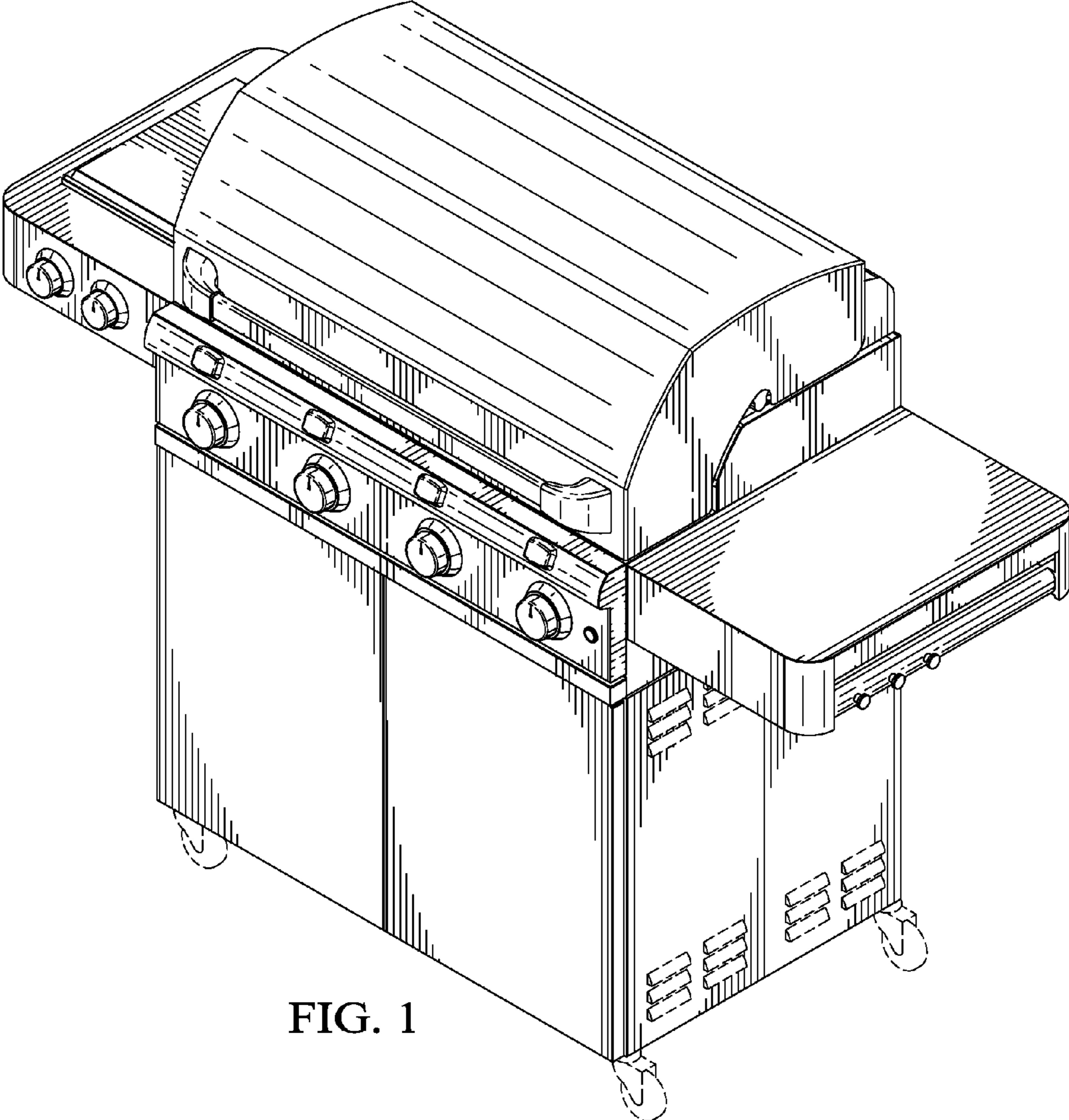


FIG. 1

FIG. 2

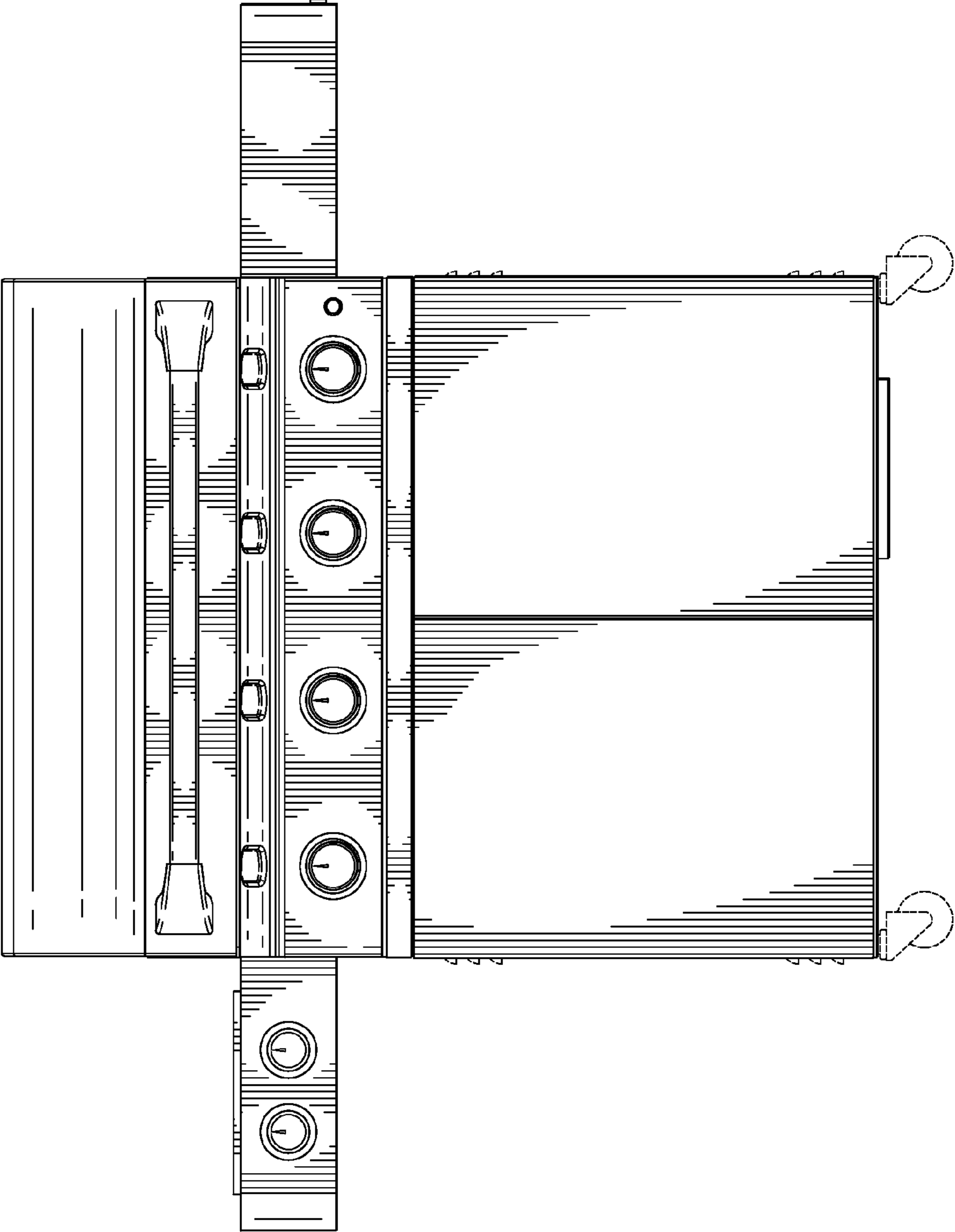


FIG. 3

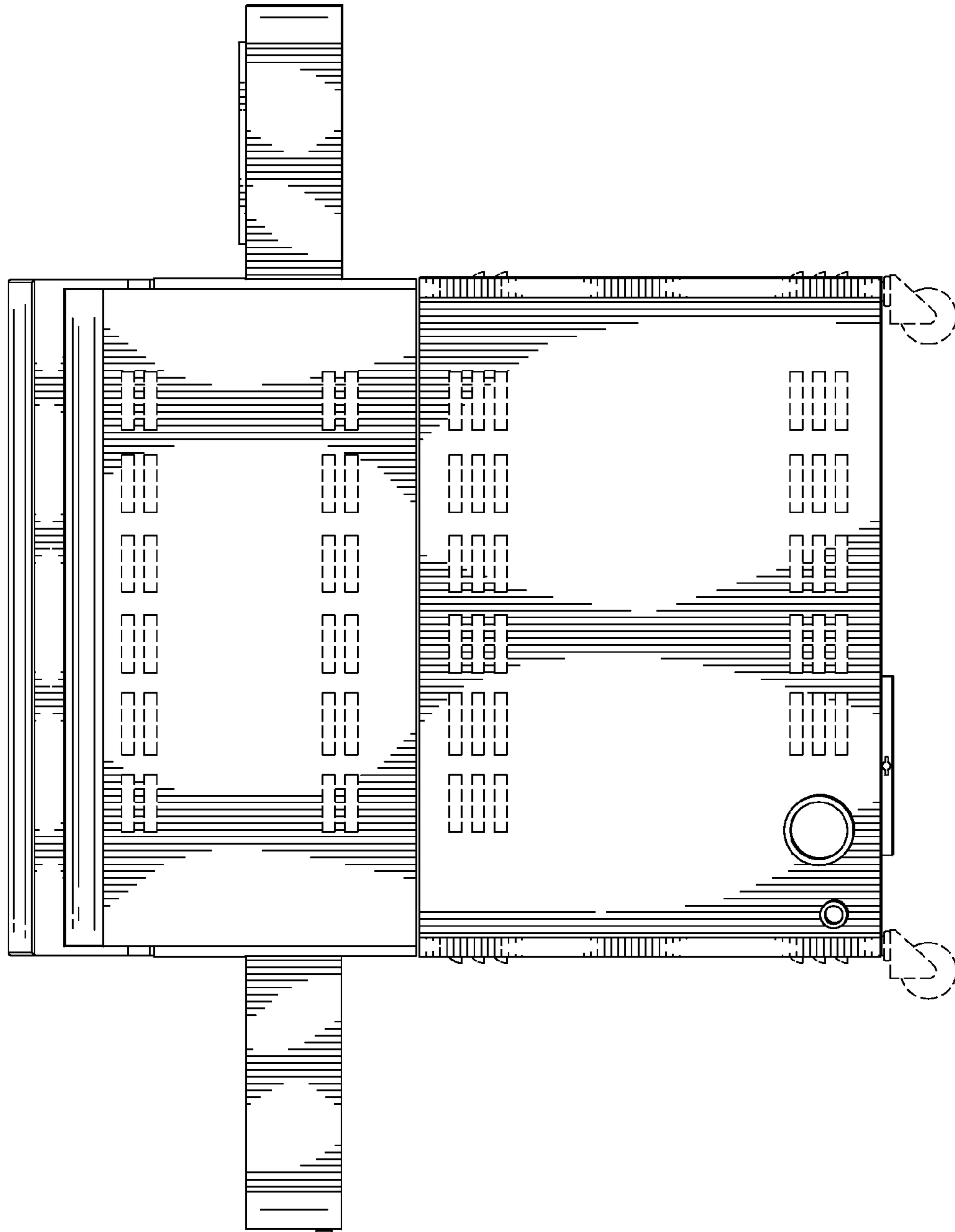


FIG. 5

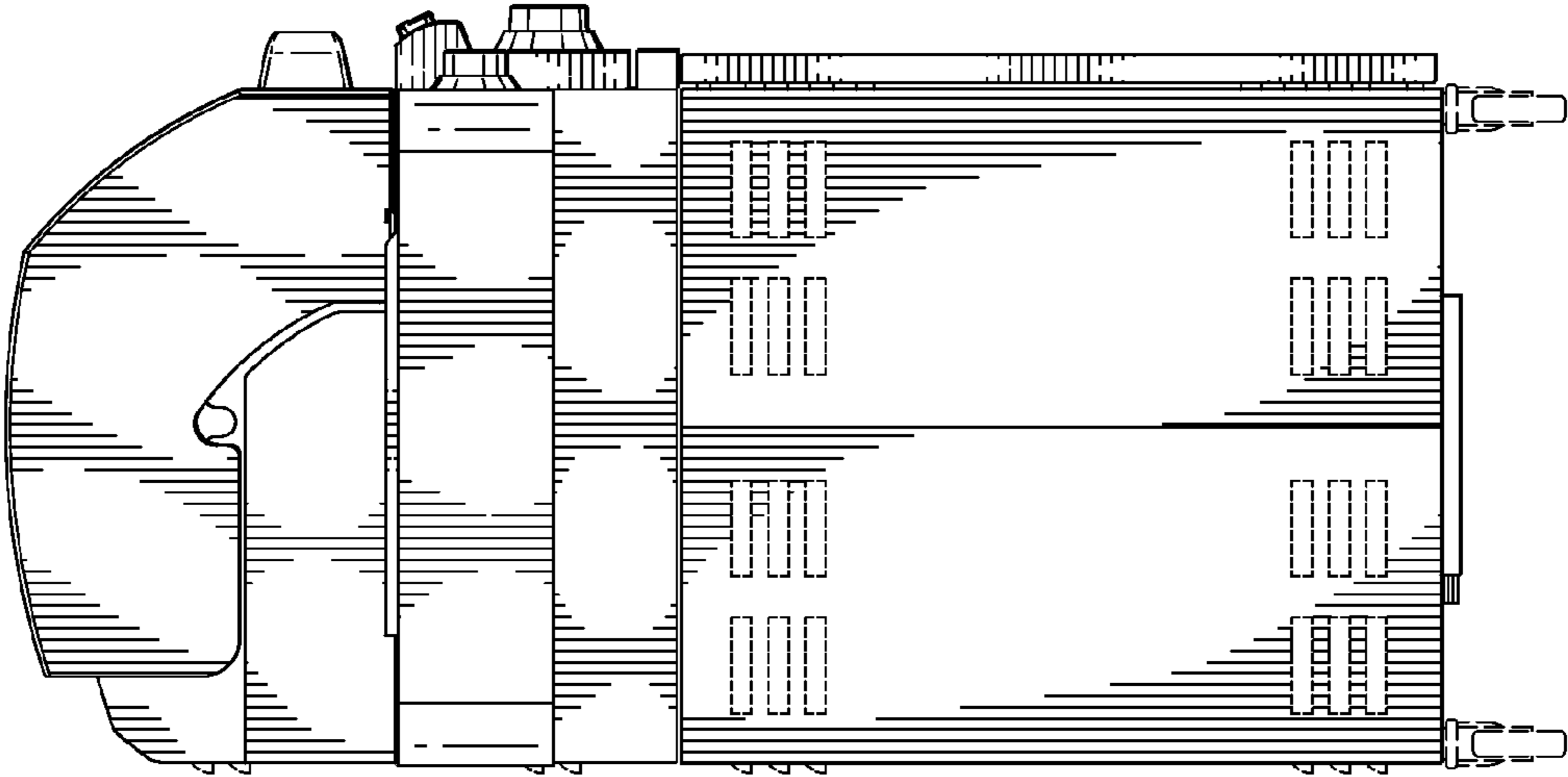


FIG. 4

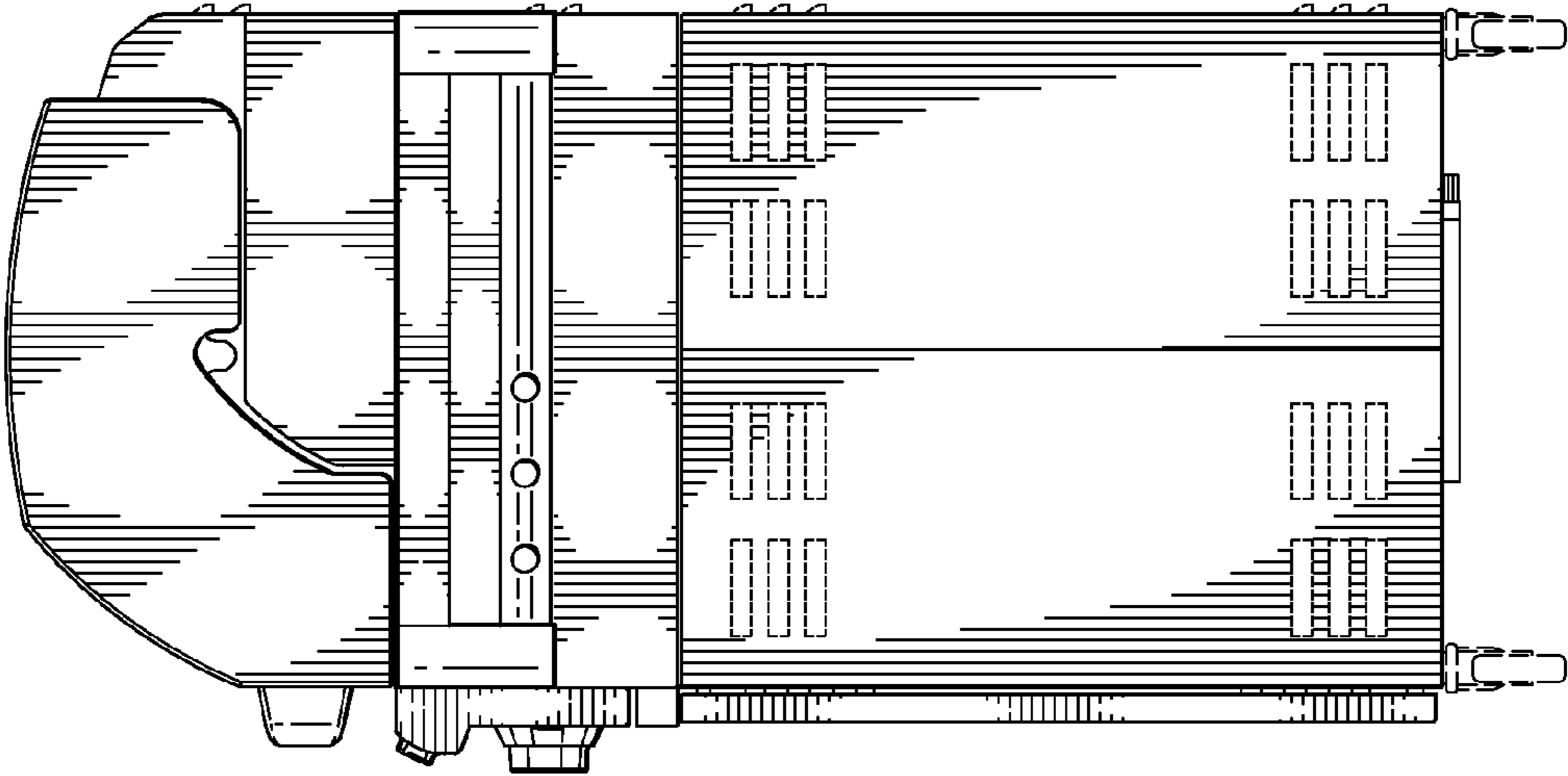


FIG. 6

