



US00D682006S

(12) **United States Design Patent**
Merkurieff

(10) **Patent No.:** **US D682,006 S**

(45) **Date of Patent:** **** May 14, 2013**

(54) **COLLAPSIBLE CAMP STOVE**

(75) Inventor: **Mikhail E. Merkurieff**, Eagle Mountain, UT (US)

(73) Assignee: **Merkwares, LLC**, Eagle Mountain, UT (US)

(**) Term: **14 Years**

(21) Appl. No.: **29/404,287**

(22) Filed: **Oct. 18, 2011**

(51) **LOC (9) Cl.** **07-02**

(52) **U.S. Cl.**

USPC **D7/332**

(58) **Field of Classification Search** D7/332,
D7/334, 337, 402-406, 409; 126/27, 44,
126/25 R, 41 R, 9 R, 40, 50, 38, 39 H, 39 N,
126/39 K, 39 M, 39 R, 39 J, 39 G, 39 E,
126/285 R, 287, 290, 80, 243; 99/425, 444-44,
99/450, 481, 482, 340; 431/247, 207, 264

See application file for complete search history.

(56) **References Cited**

U.S. PATENT DOCUMENTS

3,384,066	A *	5/1968	Tufts	126/9 R
4,455,992	A *	6/1984	Hsiao	126/9 R
4,508,094	A *	4/1985	Hait	126/9 R
4,794,906	A *	1/1989	Longley, Jr.	126/9 R
5,711,210	A *	1/1998	Kaufman	99/340
D546,114	S *	7/2007	Reiner	D7/332
8,028,689	B2 *	10/2011	Bruno	126/25 R
2005/0115556	A1 *	6/2005	Carson et al.	126/25 R
2007/0006863	A1 *	1/2007	Barbarich	126/9 R
2011/0146656	A1 *	6/2011	Paap et al.	126/25 R
2012/0073570	A1 *	3/2012	Wall et al.	126/9 R
2012/0260904	A1 *	10/2012	Russell	126/25 R

OTHER PUBLICATIONS

Nimblewill Nomad's Little Dandy Wood Stove (6± oz), <http://www.nimblewillnomad.com/stove.htm>, 6 pages, retrieved on Oct. 17, 2011.

Gargoylegear, Custom Tarps and Accessories for the Out of Doors, <http://gargoylegear.webs.com/apps/webstore/products/show/1610046>, 3 pages, 2010.

Backpacking Light, MYOG Inverted Downdraft Woodgas Stove—My Attempt, http://www.backpackinglight.com/cgi-bin/backpackinglight/forums/thread_display.html?forum_thread_id=14765, 13 pages, retrieved on Oct. 17, 2011.

Bushbuddy, <http://www.bushbuddy.ca/indexs.html>, 1 page, retrieved on Oct. 18, 2011.

(Continued)

Primary Examiner — Ruth McInroy

(74) *Attorney, Agent, or Firm* — Keller Jolley & Preece

(57) **CLAIM**

The ornamental design for a collapsible camp stove, as shown and described.

DESCRIPTION

FIG. 1 is a perspective view of a collapsible camp stove showing my new design;

FIG. 2 is a front elevational view thereof;

FIG. 3 is a rear elevational view thereof;

FIG. 4 is a right side elevational view thereof;

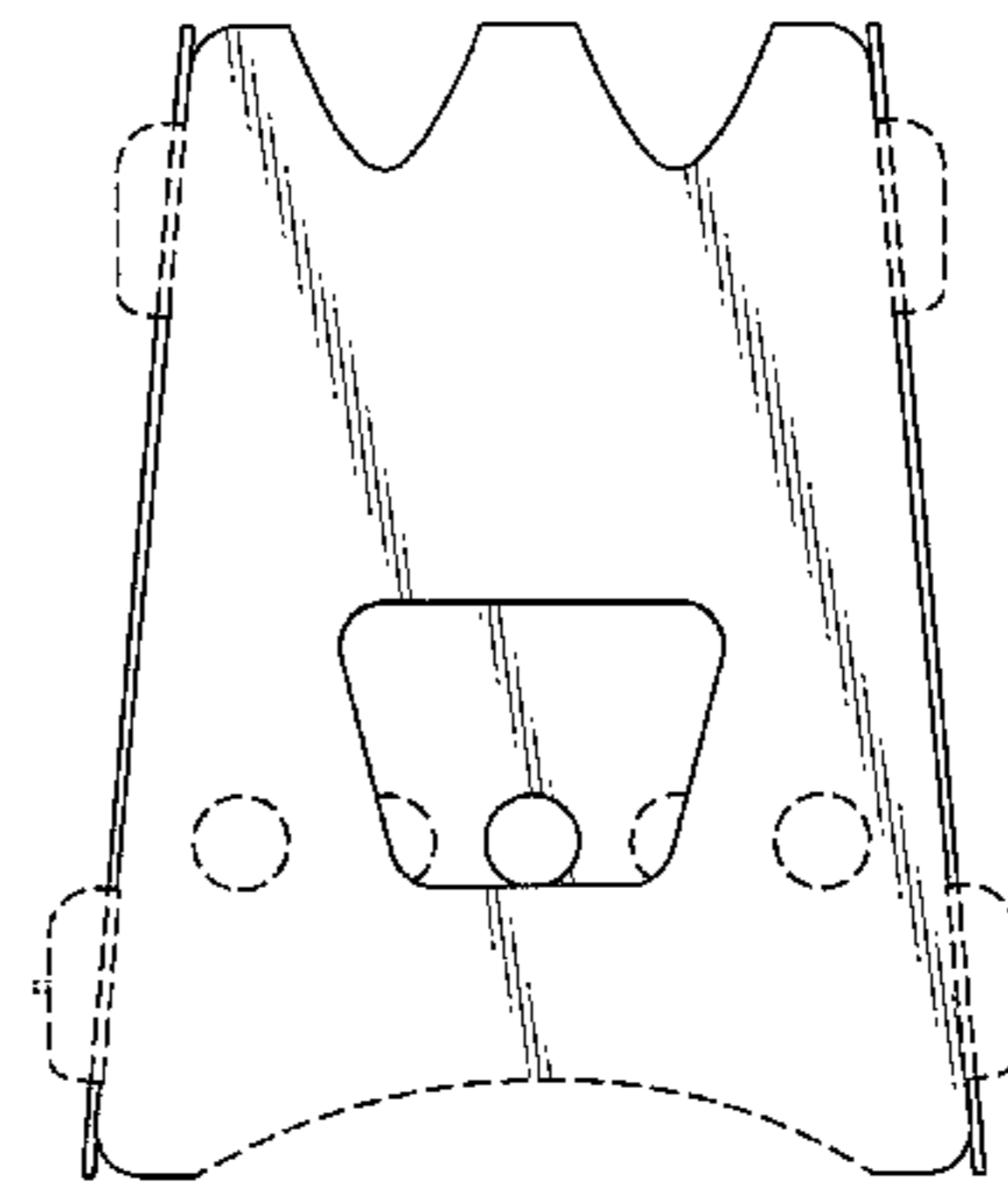
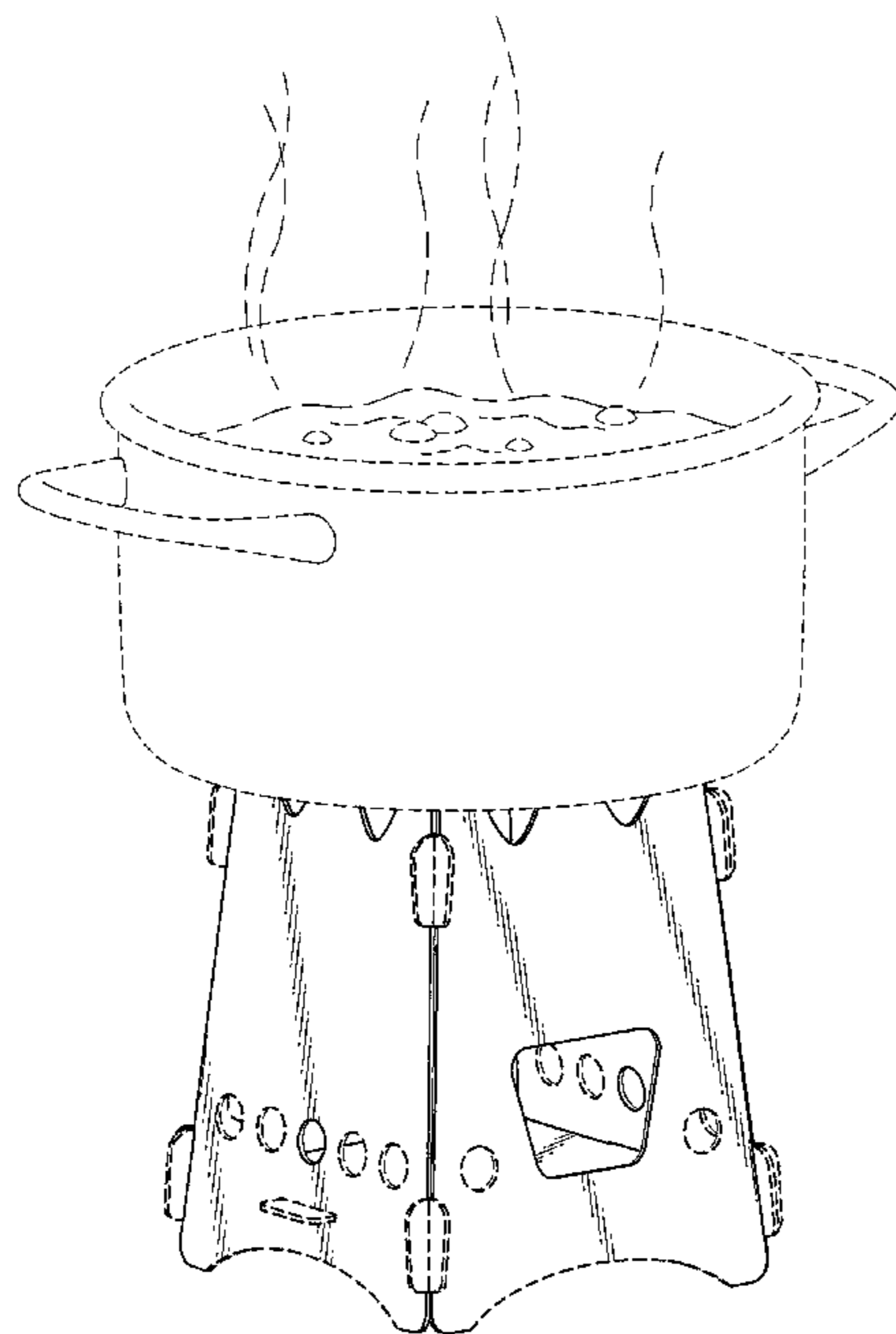
FIG. 5 is a left side elevational view thereof;

FIG. 6 is a top plan view thereof; and,

FIG. 7 is a bottom plan view thereof.

The broken lines are for illustrative purposes only and form no part of the claimed design.

1 Claim, 7 Drawing Sheets



OTHER PUBLICATIONS

Sticks65 Bushcraft, Camping, Travels and the great outdoors, <http://sticksblog-sticks.blogspot.com/2010/04/woodland-edge-firebox.html>, 4 pages, Apr. 28, 2010.

The Sportsman's Guide, Bivouac! Foldable Pocket Cooker for easy travel, <http://www.sportsmansguide.com/net/cb/foldable-pocket-cooker.aspx?a=288270>, 3 pages, retrieved on Oct. 17, 2011.

Backpackinglight.co.uk, The Honey Stove, <http://www.backpackinglight.co.uk/product397.asp>, 2 pages, retrieved on Oct. 17, 2011.

Hexagon Wood Stove Vargo Outdoors, <http://www.vargooutdoors.com/Titanium-Hexagon-Backpacking-Wood-Stove>, 2 pages, retrieved on Oct. 17, 2011.

OC Outdoor, Outdoor Innovations, Wood burning camping stove, camping stove wood burning, <http://www.occuk.co.uk/outdoor/>, 1 page, retrieved on Oct. 17, 2011.

Firebox, the most portable, versatile, easy to use cooking stove ever, <http://foldingfirebox.com/> 2 pages, retrieved on Oct. 17, 2011.

* cited by examiner

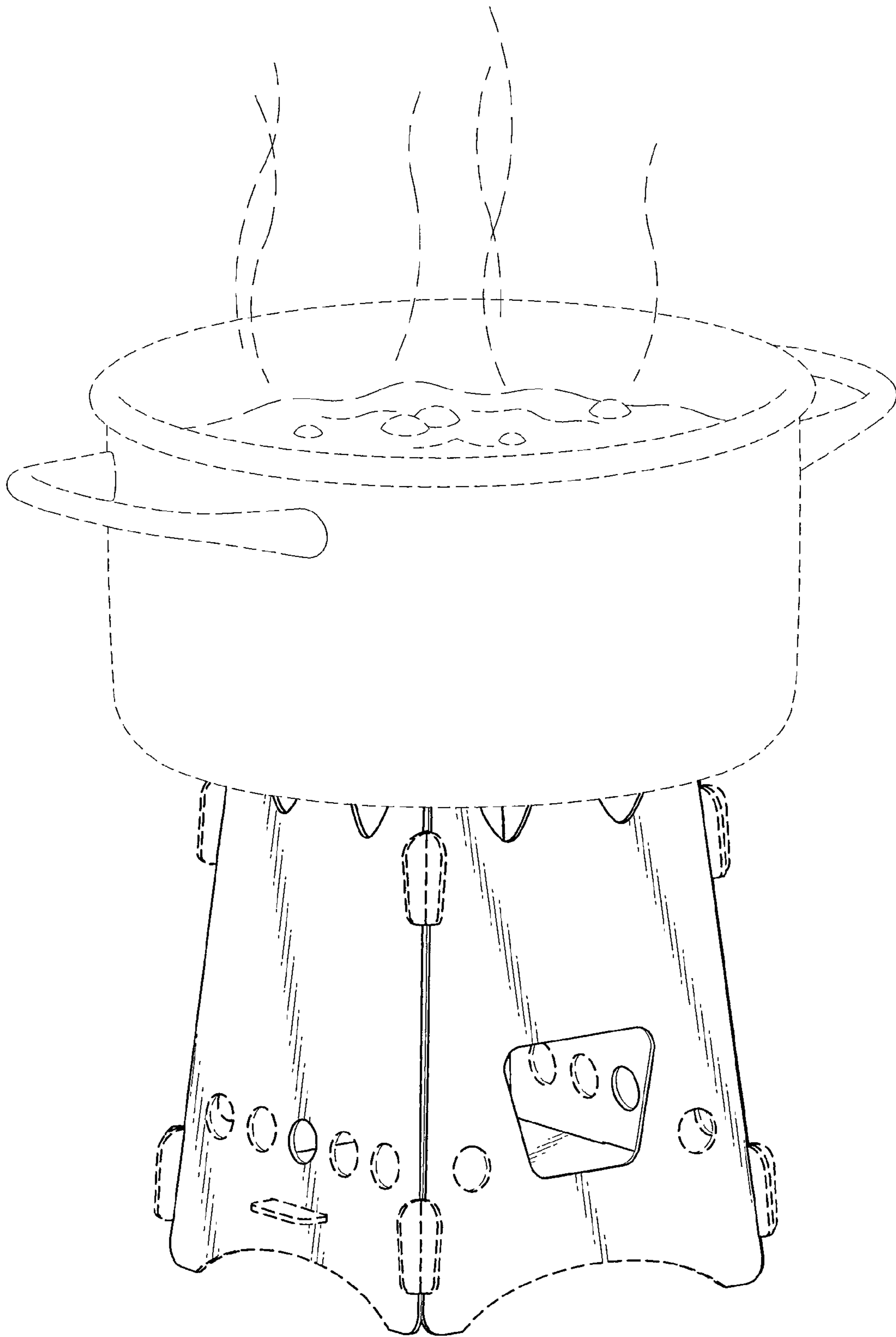


Fig. 1

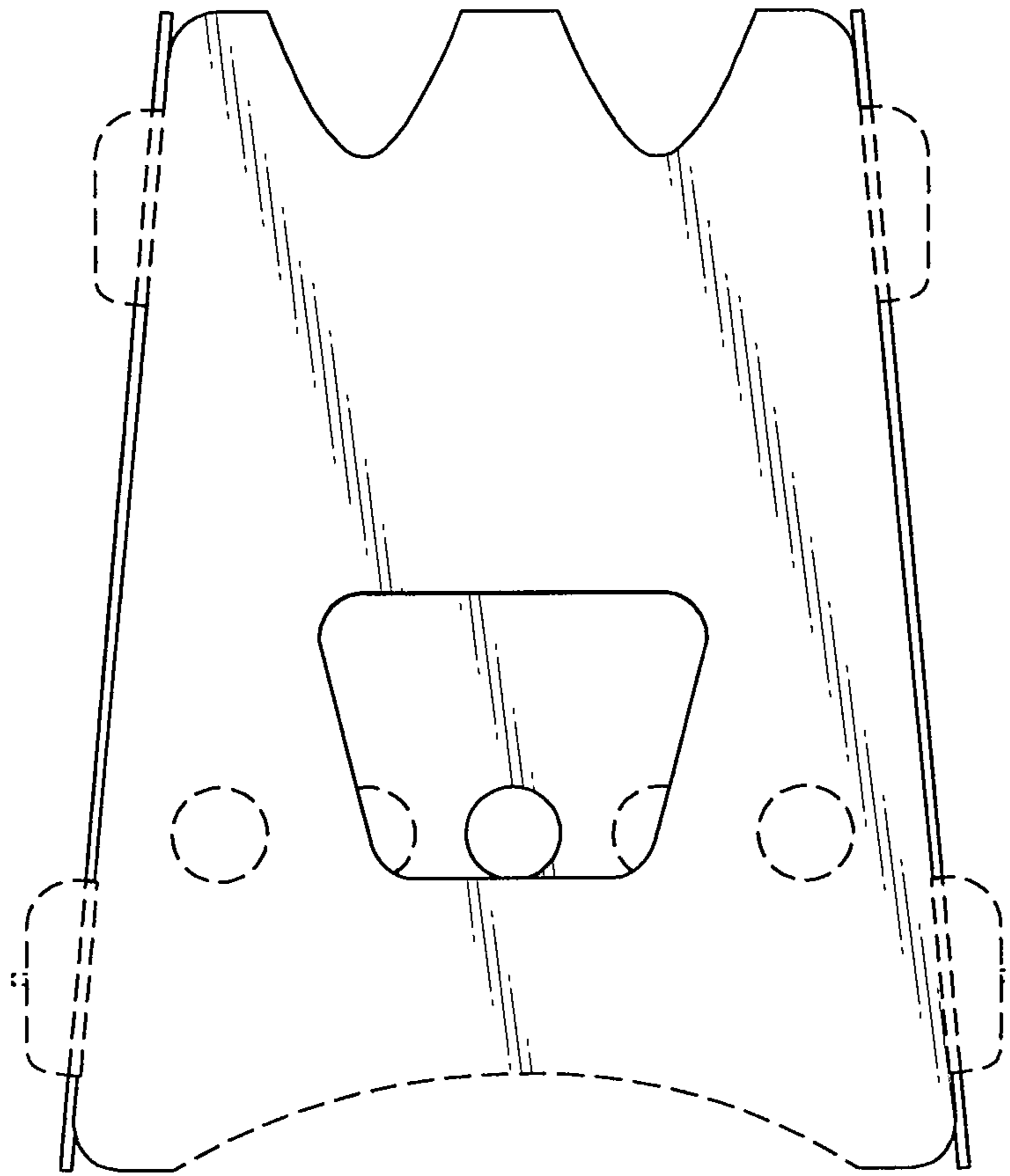


Fig. 2

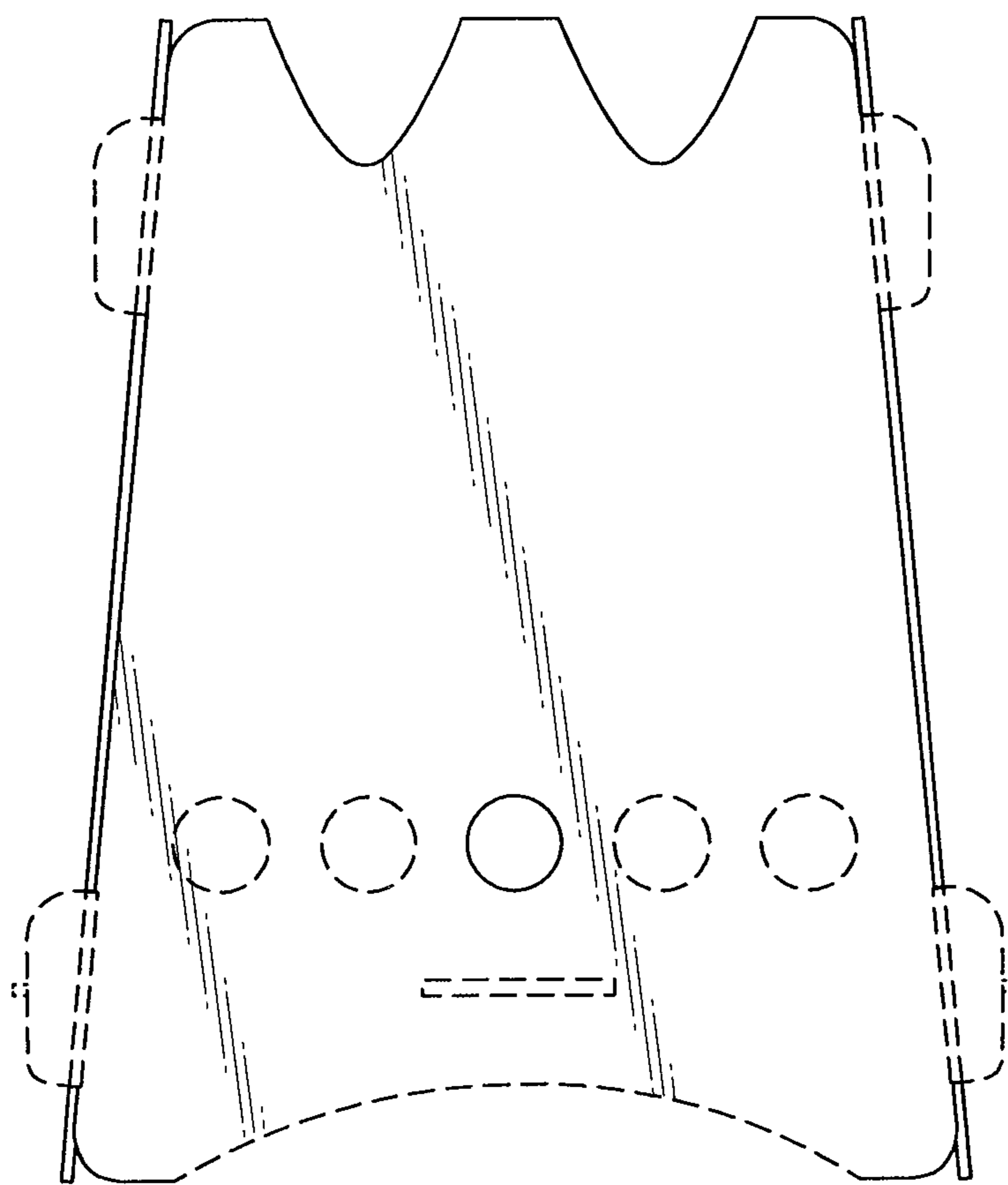


Fig. 3

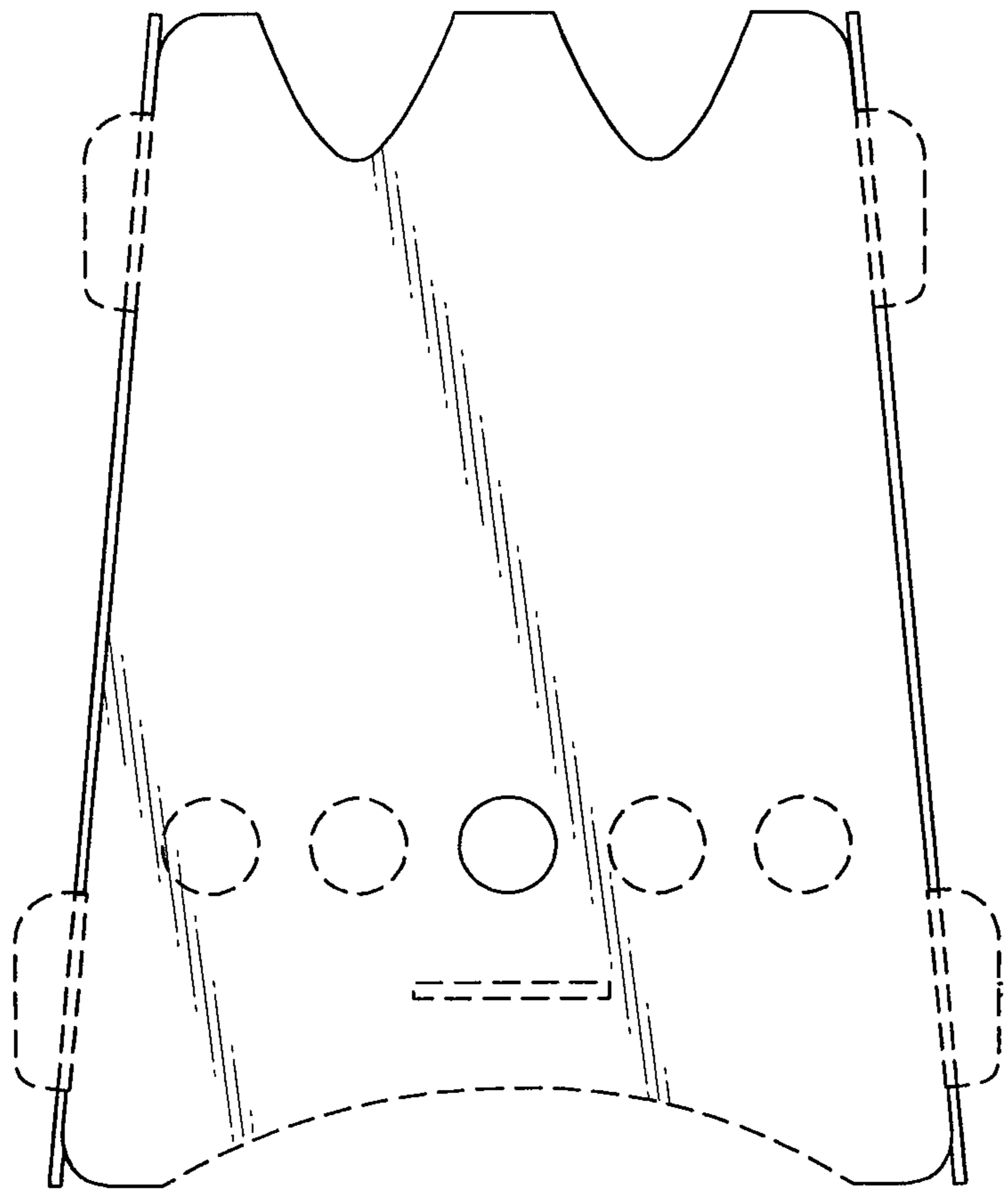


Fig. 4

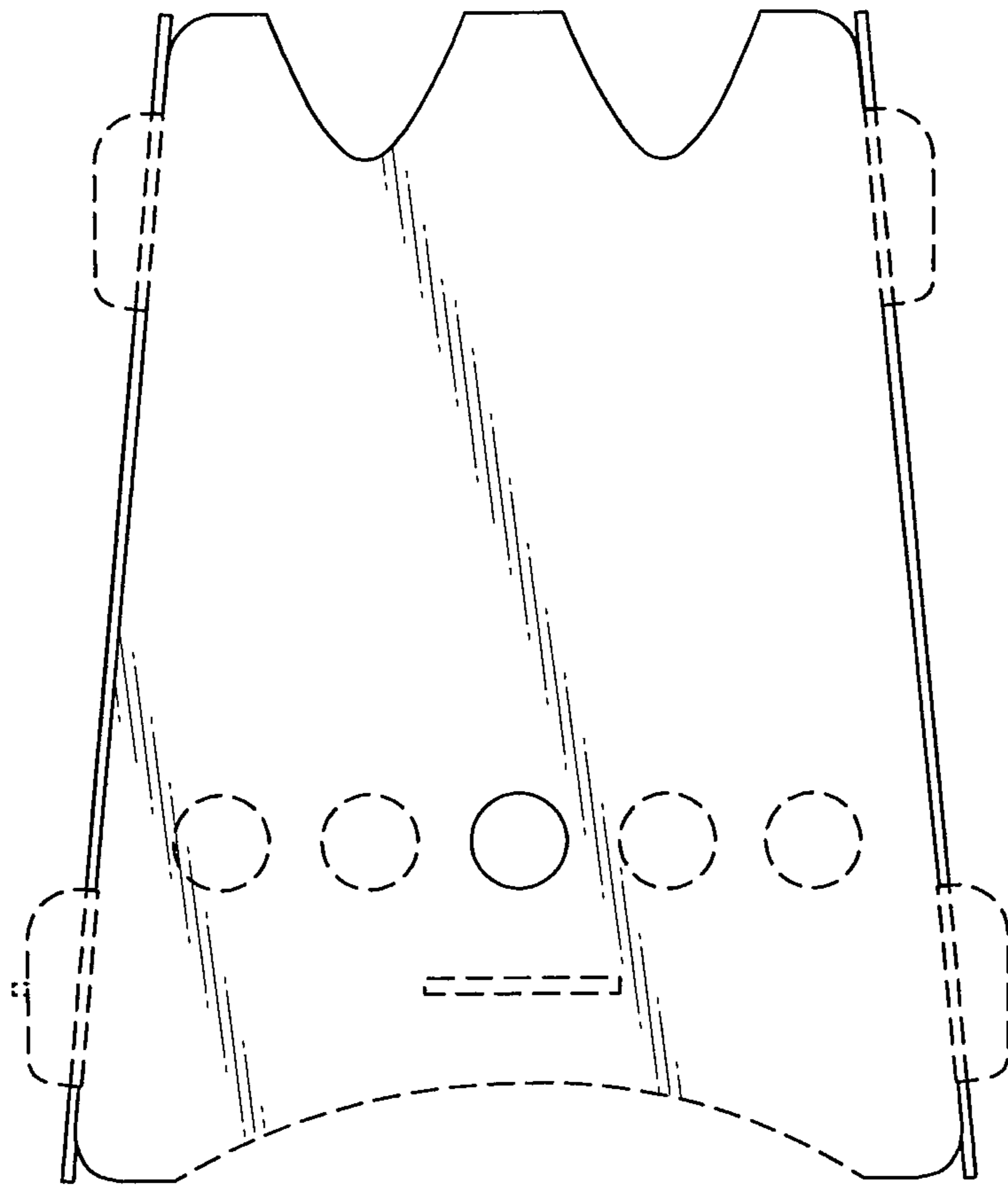


Fig. 5

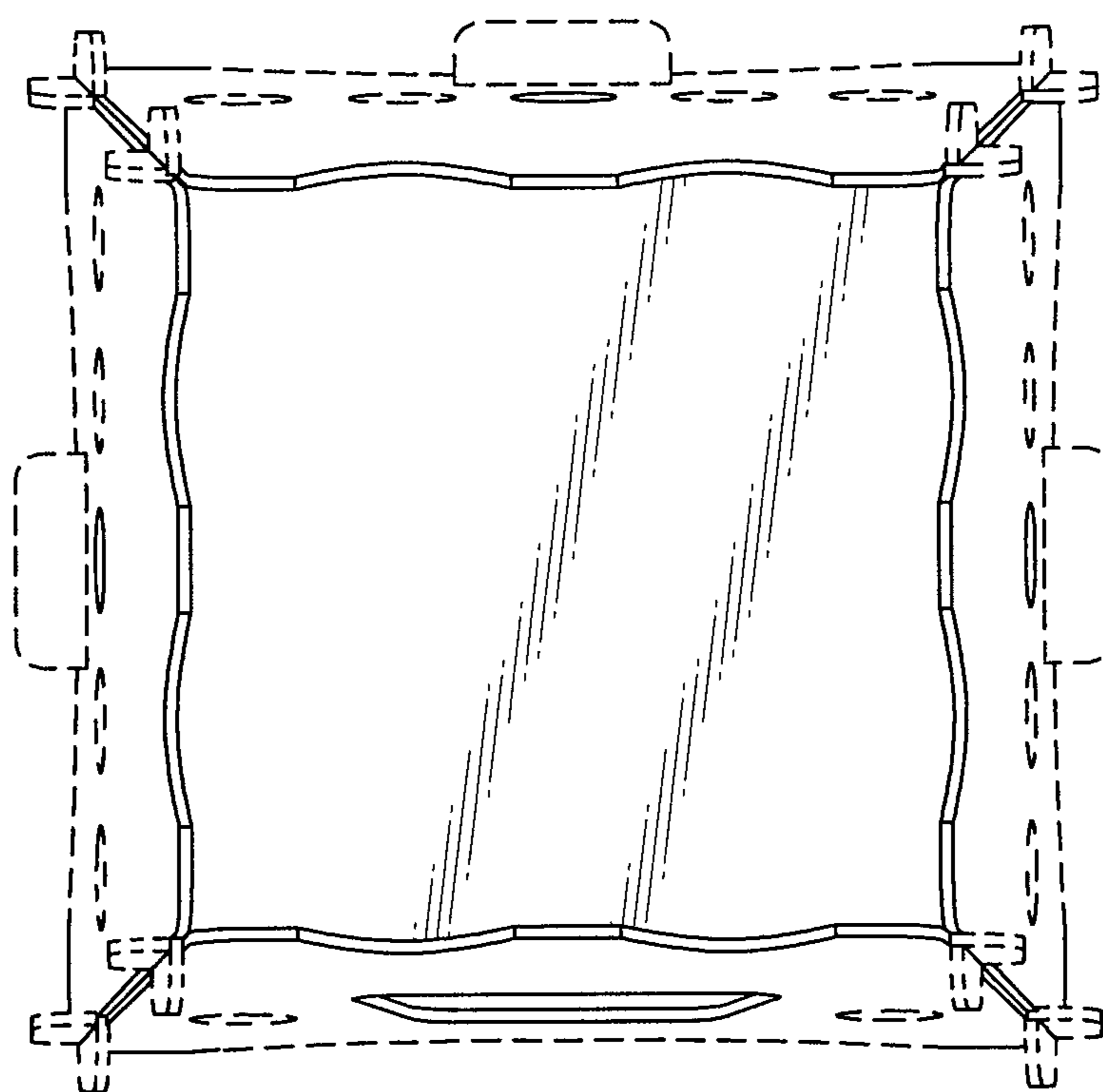


Fig. 6

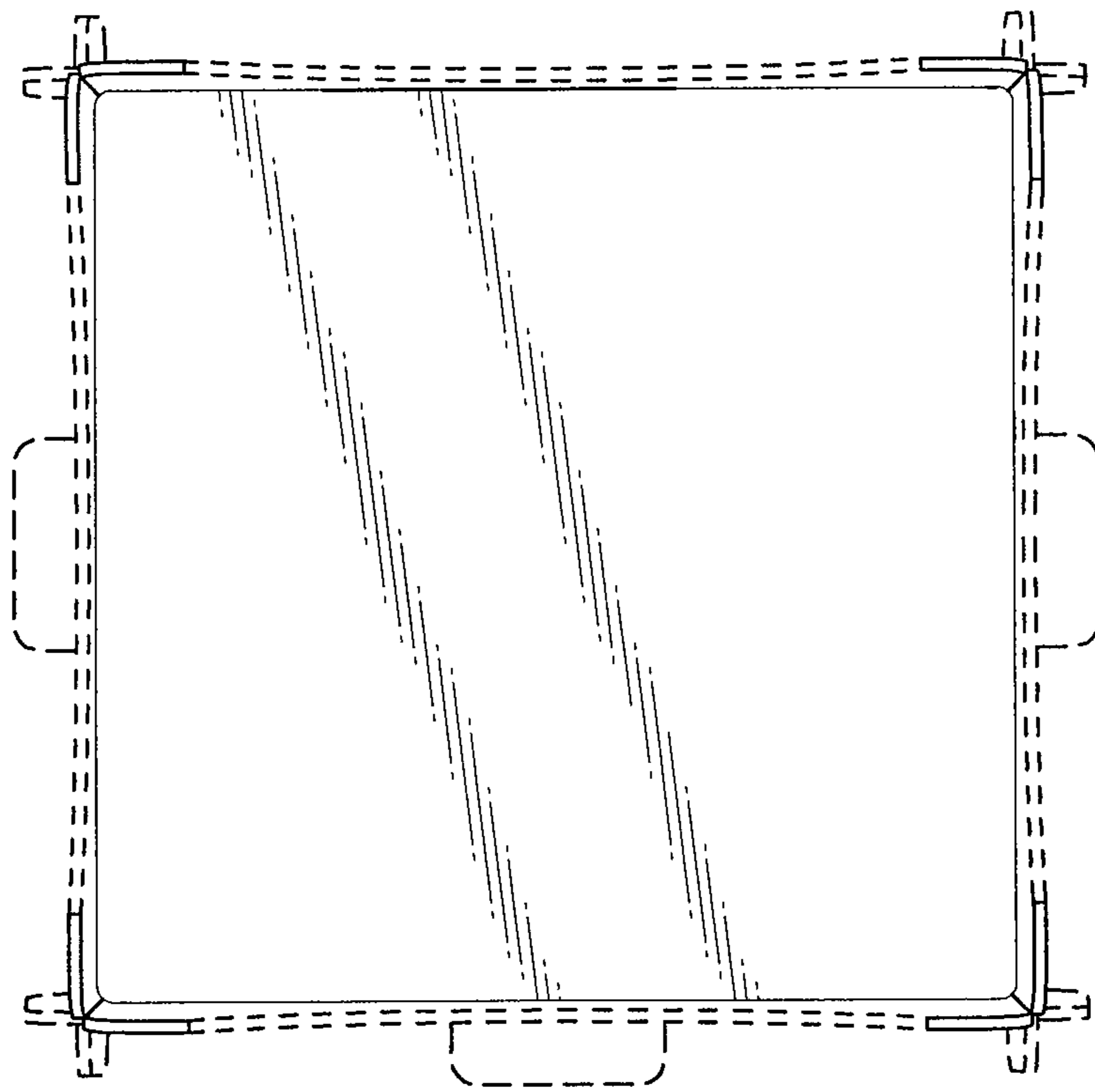


Fig. 7