



US00D682005S

(12) **United States Design Patent**  
**Kauer**

(10) **Patent No.:** **US D682,005 S**

(45) **Date of Patent:** **\*\* May 14, 2013**

- (54) **POPCORN MACHINE**
- (75) Inventor: **Frank Kauer**, Hong Kong (HK)
- (73) Assignee: **Access Asia (H.K.) Limited**, Hong Kong (HK)
- (\*\*) Term: **14 Years**
- (21) Appl. No.: **29/429,839**
- (22) Filed: **Aug. 17, 2012**
- (51) **LOC (9) Cl.** ..... **31-00**
- (52) **U.S. Cl.**  
USPC ..... **D7/325**
- (58) **Field of Classification Search** ..... D7/323-331,  
D7/337, 339, 346-347, 350.1-350.4, 352-367,  
D7/387; D21/701, 811; 99/323.4-323.9,  
99/442-446; 273/371, 447; 426/101-107,  
426/241-243  
See application file for complete search history.

- D367,340 S 2/1996 Dunn
- D367,546 S 2/1996 Dunn
- D367,547 S 2/1996 Dunn
- D368,327 S 3/1996 Dunn
- D377,998 S 2/1997 Dunn
- 5,653,446 A \* 8/1997 Lin ..... 273/447
- D385,584 S 10/1997 Chaffee et al.
- 5,678,823 A \* 10/1997 Chaffee et al. .... 273/371
- D386,231 S 11/1997 Wei
- D388,466 S 12/1997 Yurchak
- D389,891 S 1/1998 Kawasaki
- D396,642 S 8/1998 Lai
- D417,955 S 12/1999 Sletten
- D418,514 S 1/2000 Adelaar
- D421,284 S 2/2000 Huang

(Continued)

*Primary Examiner* — Ricky Pham

(74) *Attorney, Agent, or Firm* — Henry B. Ward, III; Moore & Van Allen PLLC

(57) **CLAIM**

The ornamental design for a popcorn machine, as shown and described.

(56) **References Cited**

U.S. PATENT DOCUMENTS

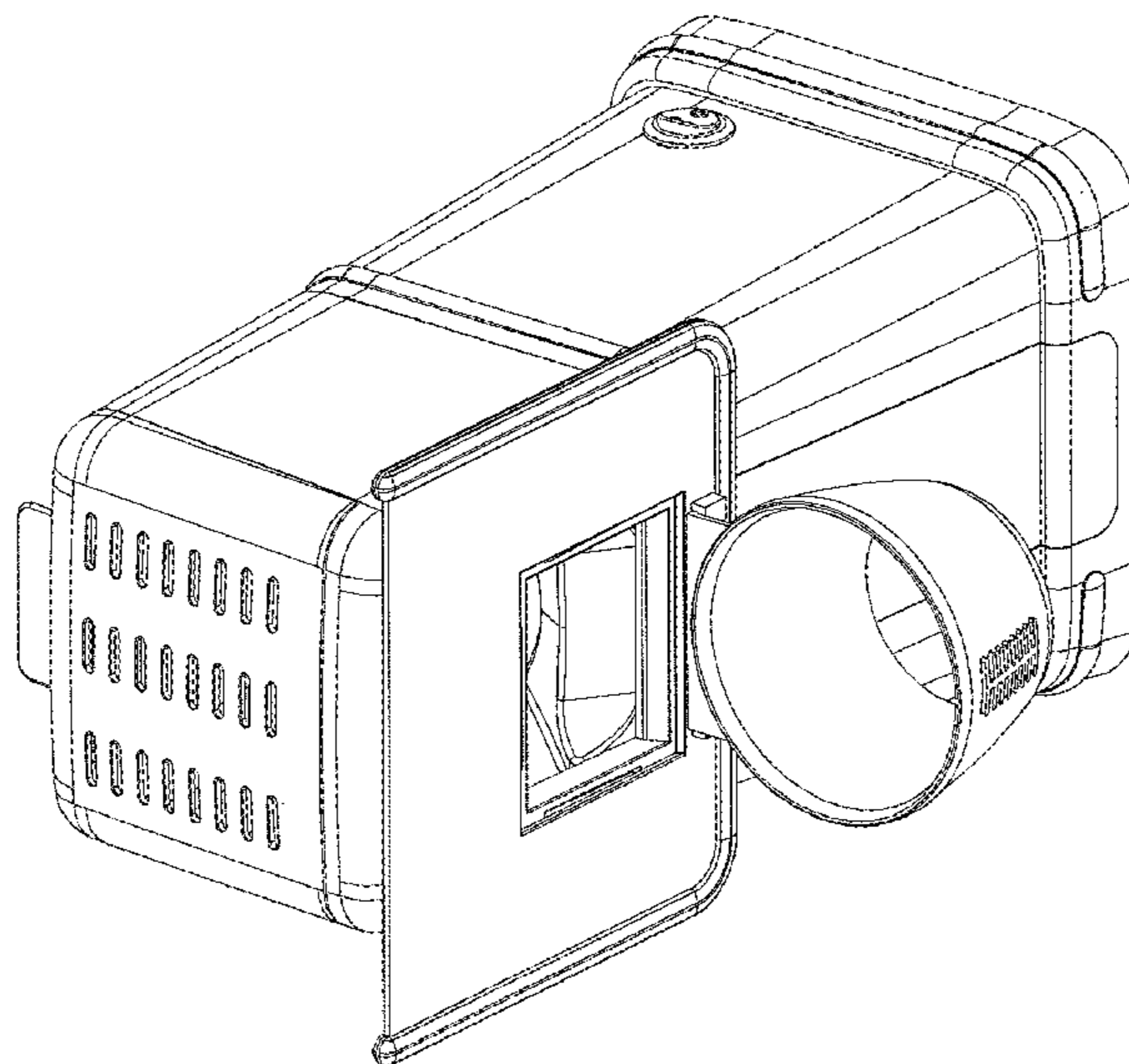
- D95,156 S \* 4/1935 Soellner ..... D21/811
- D113,218 S \* 2/1939 Collins ..... D21/811
- D153,602 S 5/1949 Halbriter
- D163,497 S 5/1951 Waas
- D177,456 S 4/1956 Altemiller
- 3,624,939 A 12/1971 Gossard
- D223,940 S 6/1972 Whitworth
- 4,177,986 A 12/1979 Campbell
- D271,173 S 11/1983 Keshishian
- 4,491,220 A 1/1985 Daviss
- D279,069 S 6/1985 Goodlaxson
- D283,009 S 3/1986 Jennette
- D304,262 S 10/1989 Mays
- 5,282,636 A 2/1994 Wyman et al.
- D357,386 S 4/1995 Jones
- 5,419,238 A \* 5/1995 Pinone ..... 99/323.6
- D366,304 S \* 1/1996 Lewis ..... D21/811
- D367,339 S 2/1996 Dunn

**DESCRIPTION**

FIG. 1 is a front, top and right-side-perspective view of a popcorn machine;  
 FIG. 2 is a front-elevational view thereof;  
 FIG. 3 is a rear-elevational view thereof;  
 FIG. 4 is a left-side-elevational view thereof;  
 FIG. 5 is a right-side-elevational view thereof;  
 FIG. 6 is a top-plan view thereof; and,  
 FIG. 7 is a bottom-plan view thereof.

The broken lines shown in the drawings, if any, are shown for illustrative purposes only and form no part of the claimed design. In addition, the surface shading, if any, illustrated in the drawings is provided merely to highlight the contour of the design; it is not intended to be illustrative of texture or gloss.

**1 Claim, 7 Drawing Sheets**



# US D682,005 S

Page 2

---

## U.S. PATENT DOCUMENTS

|            |   |         |                |         |            |         |            |                    |
|------------|---|---------|----------------|---------|------------|---------|------------|--------------------|
| D434,091 S | * | 11/2000 | Wiedner .....  | D21/701 | D612,661 S | 3/2010  | Kauer      |                    |
| D440,461 S |   | 4/2001  | Mak            |         | D621,199 S | 8/2010  | Lam et al. |                    |
| D447,195 S |   | 8/2001  | Wiedner et al. |         | D628,428 S | 12/2010 | Bond       |                    |
| D461,097 S |   | 8/2002  | Nemirovsky     |         | D628,847 S | 12/2010 | Liu        |                    |
| D466,177 S |   | 11/2002 | Carter et al.  |         | D632,123 S | 2/2011  | Kauer      |                    |
| D524,090 S |   | 7/2006  | Wise           |         | D633,748 S | 3/2011  | Haskin     |                    |
| D528,346 S |   | 9/2006  | Brekke         |         | D640,496 S | 6/2011  | Lam        |                    |
| D551,016 S |   | 9/2007  | Bond           |         | D640,892 S | 7/2011  | Lam        |                    |
| D552,405 S |   | 10/2007 | Bond           |         | D645,292 S | 9/2011  | Bond       |                    |
| D563,145 S |   | 3/2008  | Henry et al.   |         | D650,627 S | 12/2011 | Kauer      |                    |
| D575,965 S |   | 9/2008  | Weldon         |         | D653,498 S | *       | 2/2012     | Bond ..... D7/387  |
| D607,260 S |   | 1/2010  | Lam            |         | D663,992 S | *       | 7/2012     | Kauer ..... D7/325 |
| D612,189 S |   | 3/2010  | Kauer          |         |            |         |            |                    |

\* cited by examiner

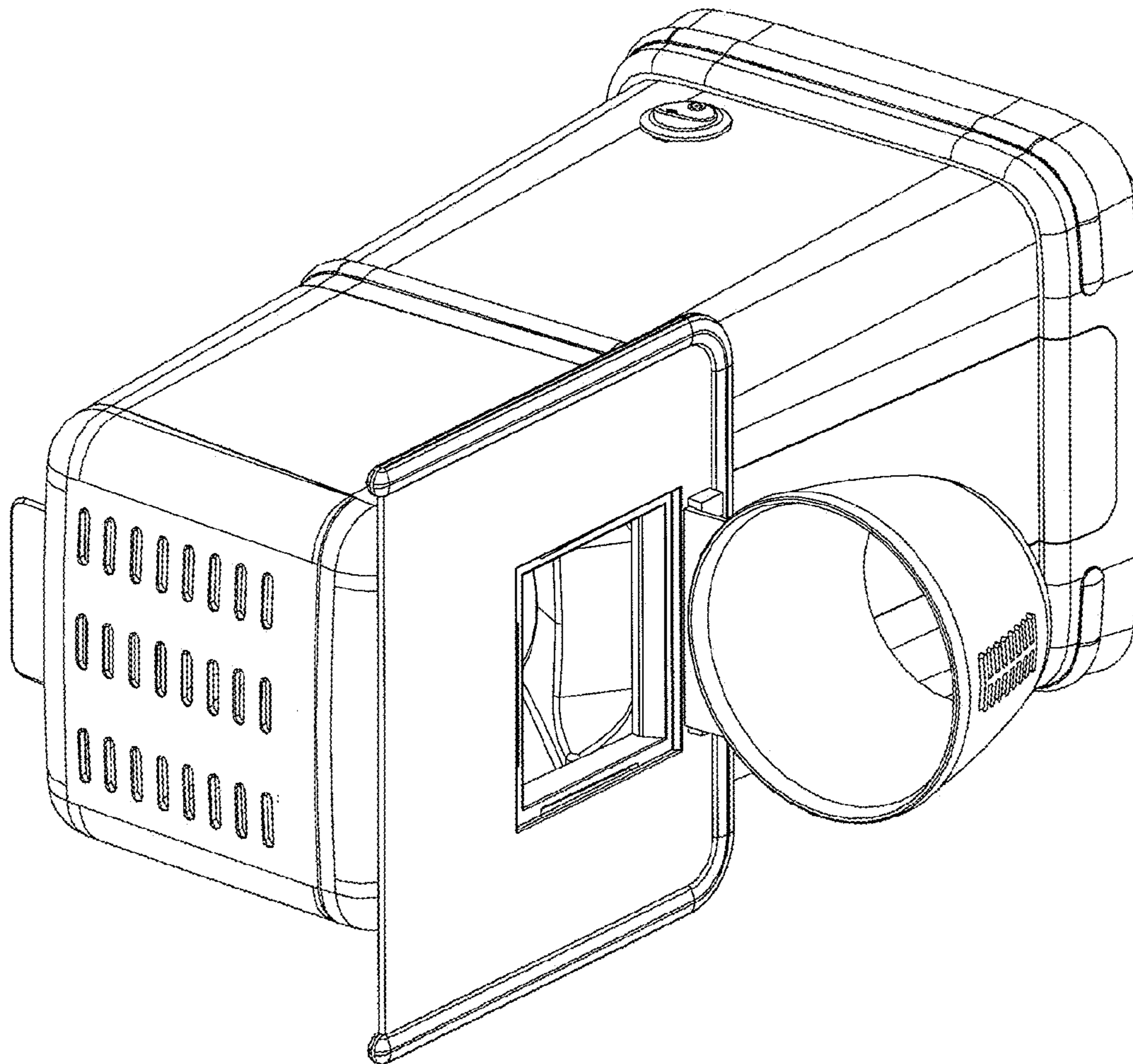


FIGURE 1

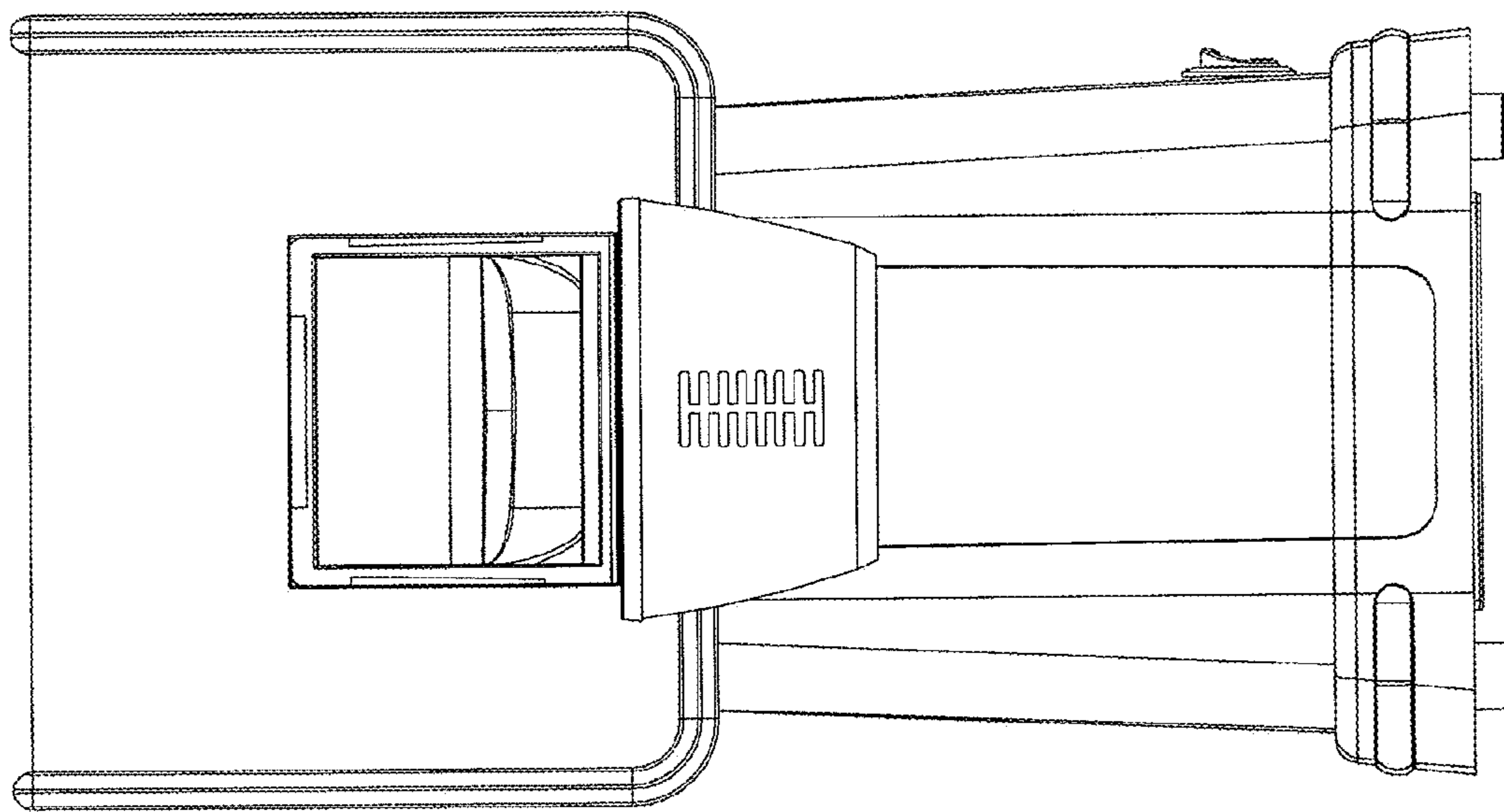


FIGURE 2

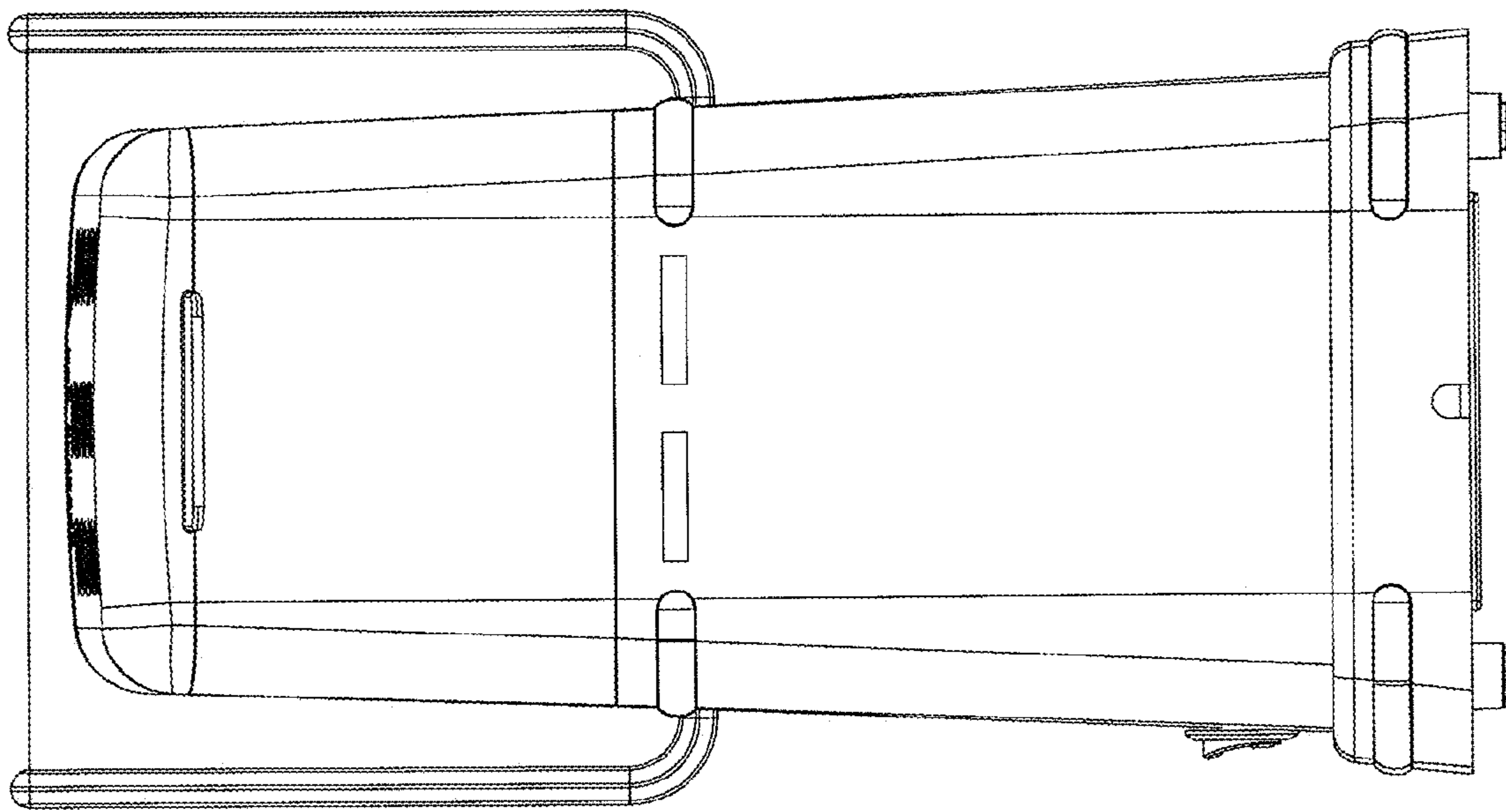


FIGURE 3

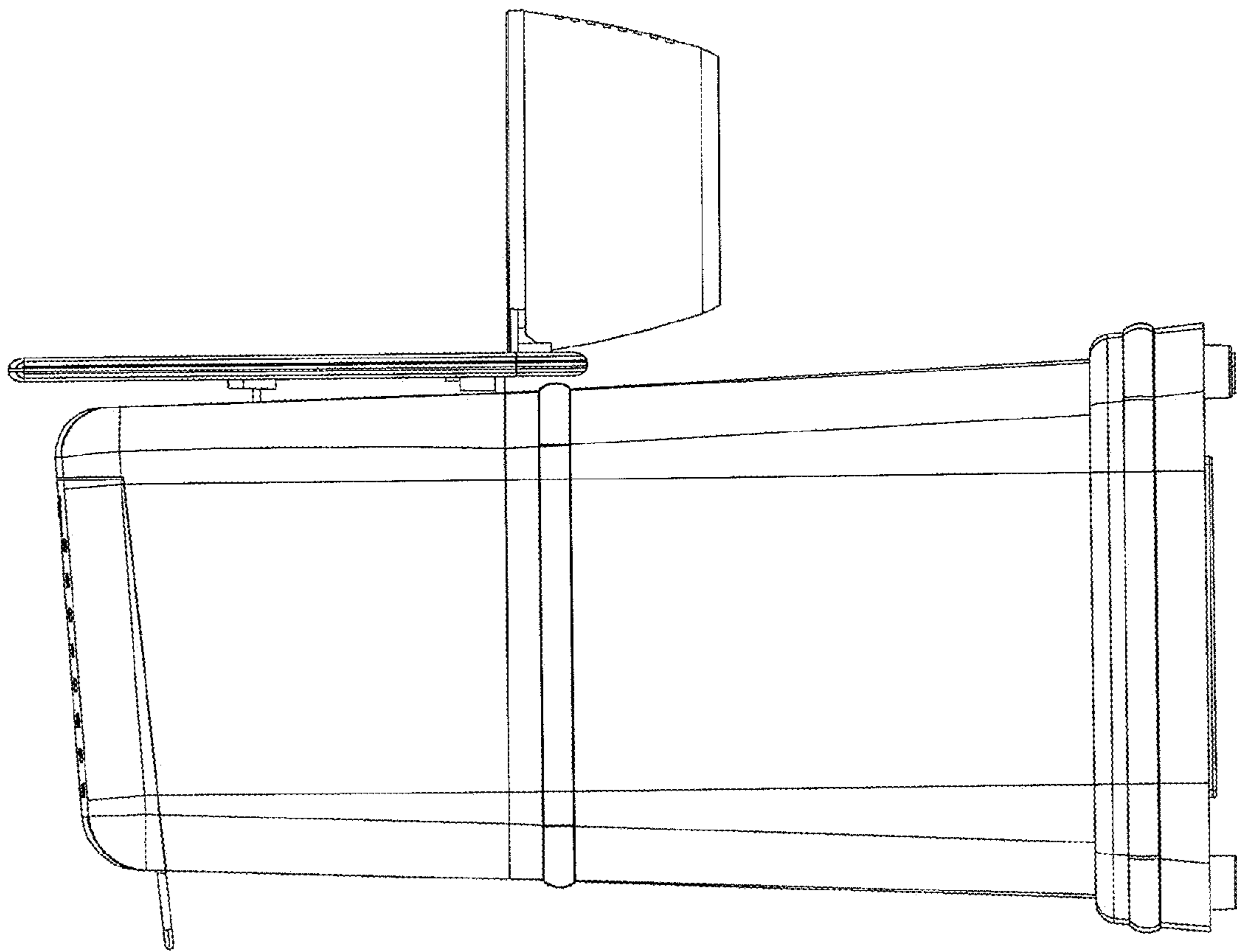


FIGURE 4

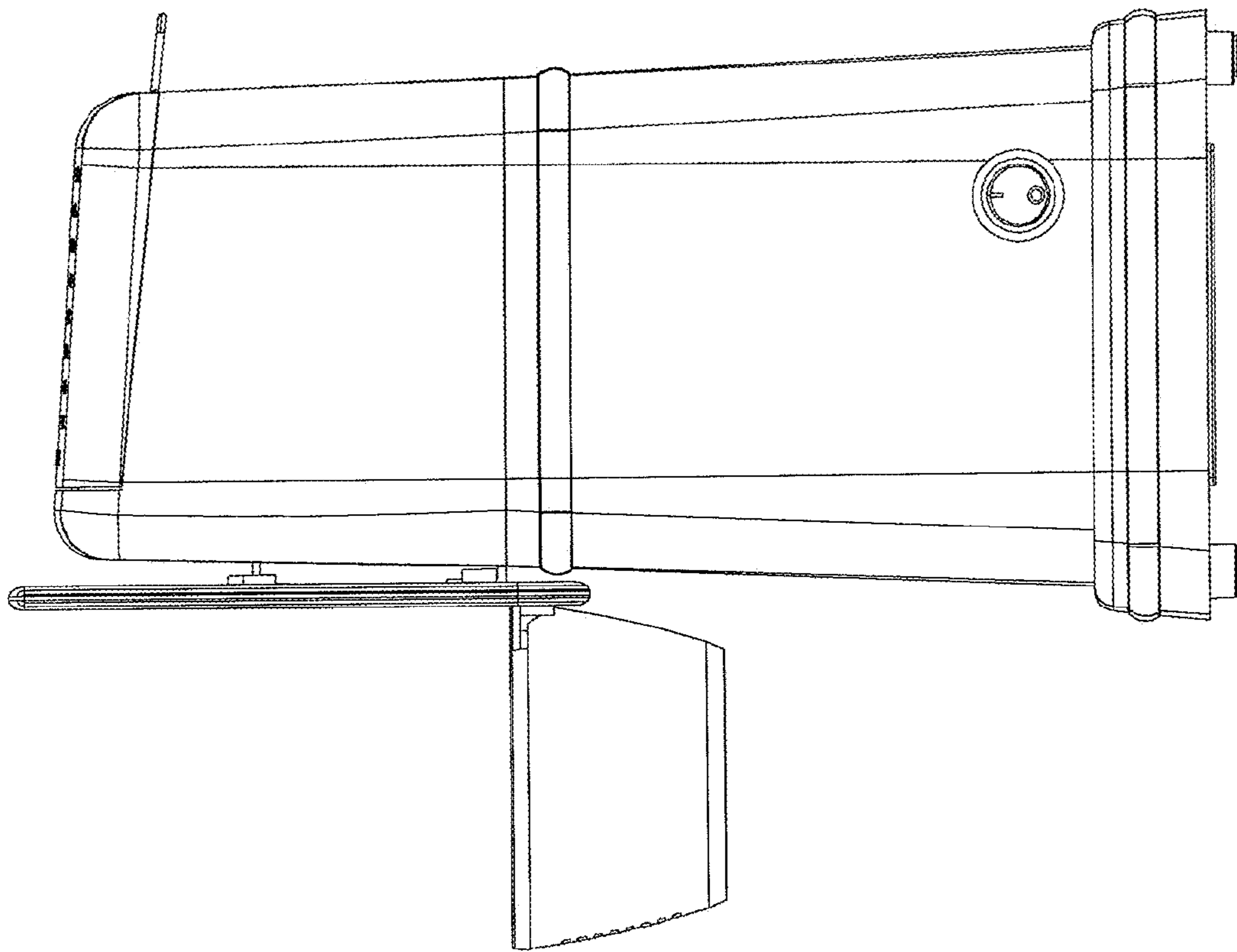


FIGURE 5

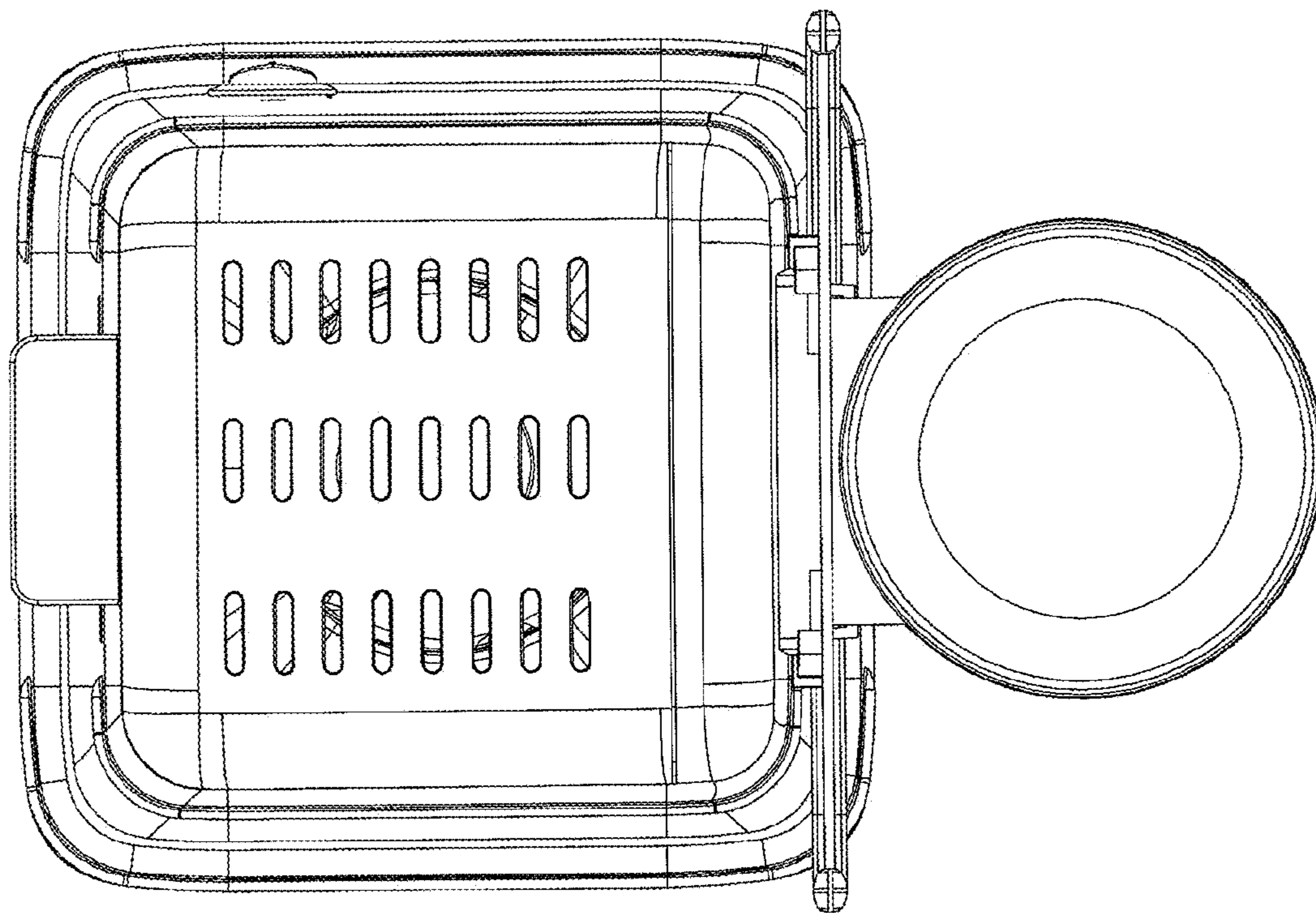


FIGURE 6



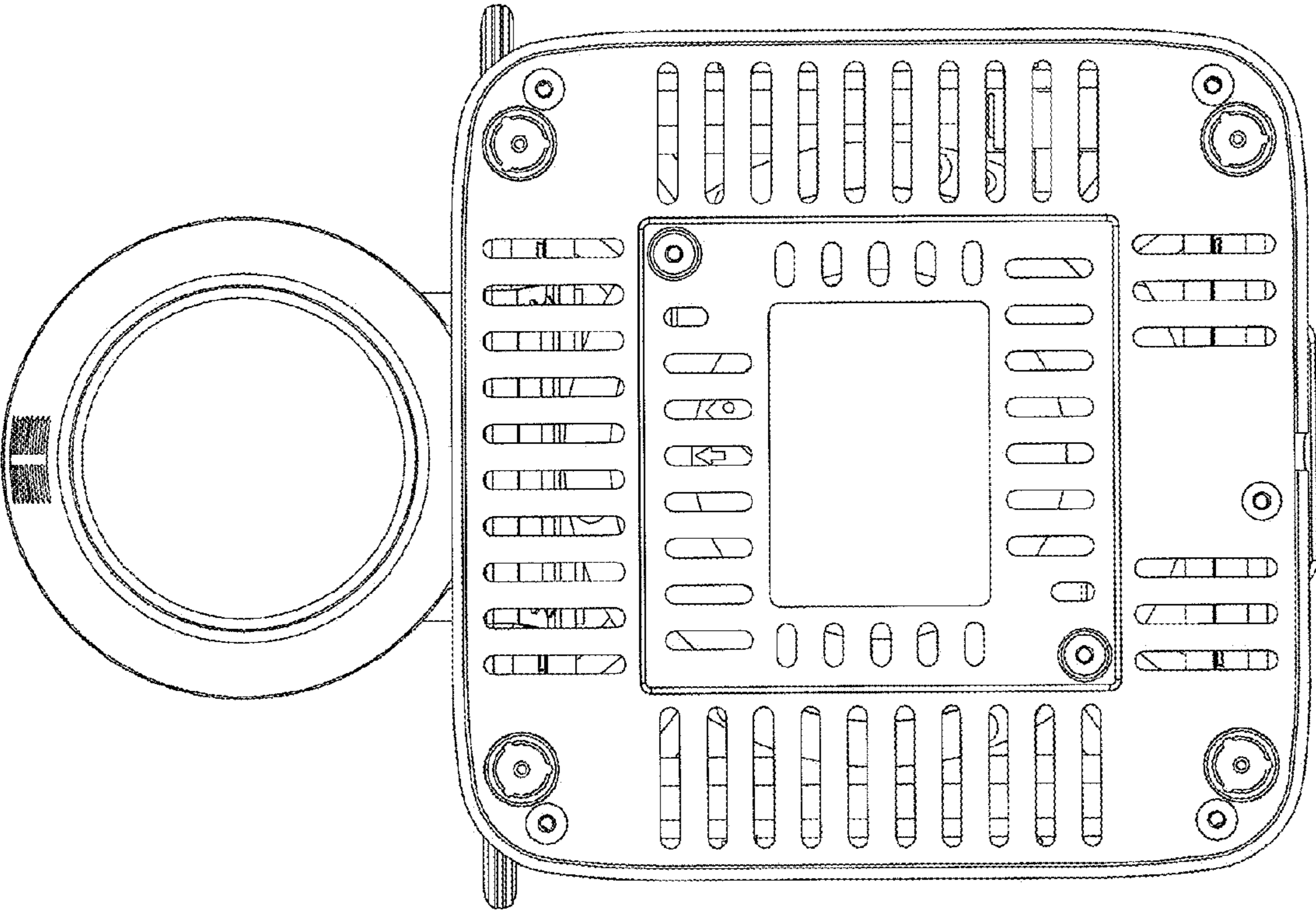


FIGURE 7