



US00D682004S

(12) **United States Design Patent**  
**Kauer**

(10) **Patent No.:** **US D682,004 S**

(45) **Date of Patent:** **\*\* May 14, 2013**

- (54) **POPCORN MACHINE**
- (75) Inventor: **Frank Kauer**, Kwun Tong (HK)
- (73) Assignee: **Access Asia (H.K.) Limited**, Hong Kong (HK)
- (\*\*) Term: **14 Years**
- (21) Appl. No.: **29/413,753**
- (22) Filed: **Feb. 20, 2012**
- (51) **LOC (9) Cl.** ..... **31-00**
- (52) **U.S. Cl.**  
USPC ..... **D7/325**
- (58) **Field of Classification Search** ..... D7/323-331,  
D7/337, 339, 346-347, 350.1-350.4, 352-367,  
D7/387; D21/701, 811; 99/323.4-323.9,  
99/442-446; 273/371, 447; 426/101-107,  
426/241-243  
See application file for complete search history.

- D367,340 S 2/1996 Dunn
- D367,546 S 2/1996 Dunn
- D367,547 S 2/1996 Dunn
- D368,327 S 3/1996 Dunn
- D377,998 S 2/1997 Dunn
- 5,653,446 A \* 8/1997 Lin ..... 273/447
- D385,584 S 10/1997 Chaffee et al.
- 5,678,823 A \* 10/1997 Chaffee et al. .... 273/371
- D386,231 S 11/1997 Wei
- D388,466 S 12/1997 Yurchak
- D389,891 S 1/1998 Kawasaki
- D396,642 S 8/1998 Lai
- D417,955 S 12/1999 Sletten
- D418,514 S 1/2000 Adelaar
- D421,284 S 2/2000 Huang
- D434,091 S \* 11/2000 Wiedner ..... D21/701

(Continued)

*Primary Examiner* — Ricky Pham

(74) *Attorney, Agent, or Firm* — Henry B. Ward, III; Moore & Van Allen PLLC

(57) **CLAIM**

The ornamental design for a popcorn machine, as shown and described.

**DESCRIPTION**

FIG. 1 is a front, top and right-side-perspective view of a popcorn machine;  
 FIG. 2 is a front-elevational view thereof;  
 FIG. 3 is a rear-elevational view thereof;  
 FIG. 4 is a left-side-elevational view thereof;  
 FIG. 5 is a right-side-elevational view thereof;  
 FIG. 6 is a top-plan view thereof; and,  
 FIG. 7 is a bottom-plan view thereof.

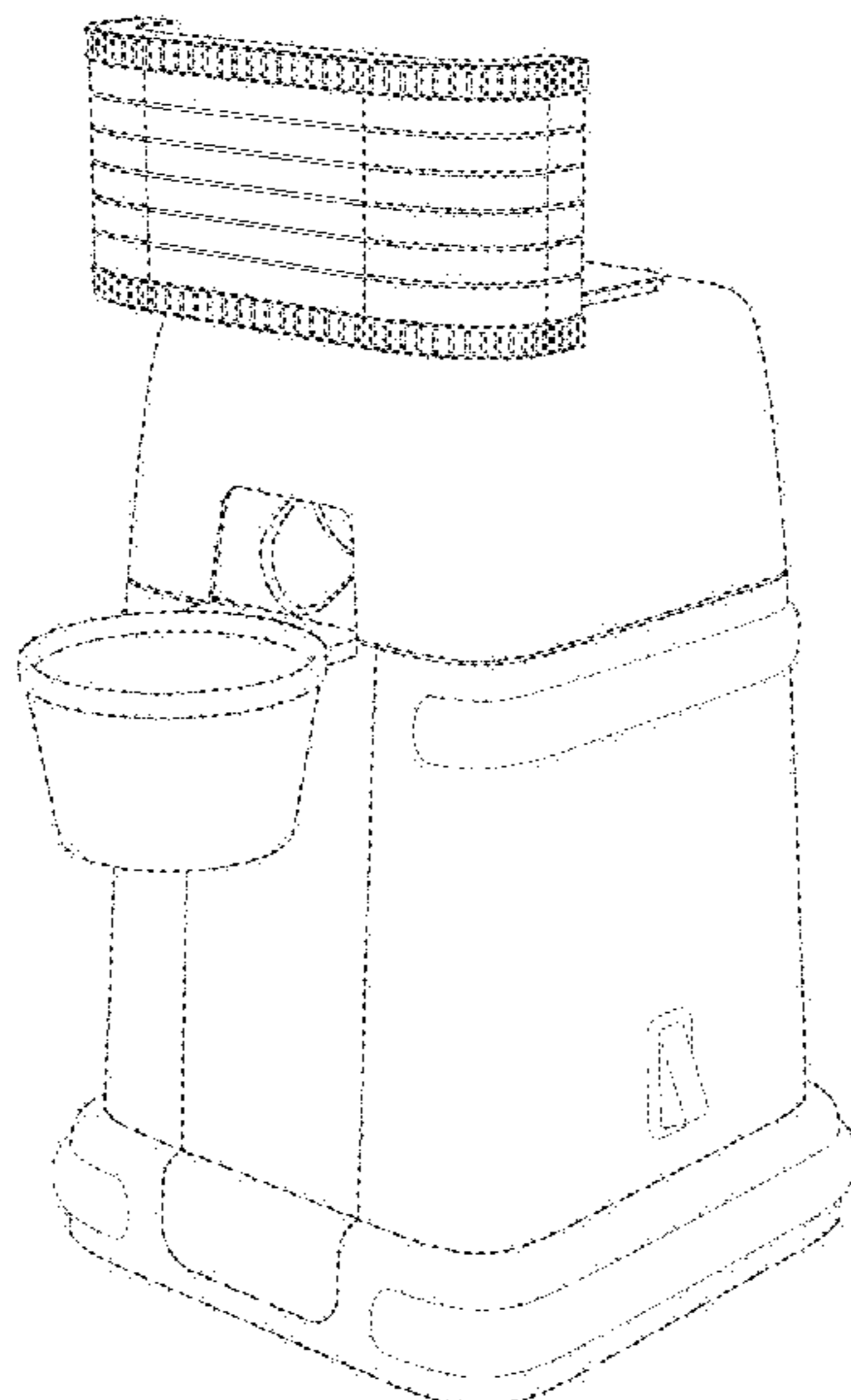
The broken lines shown in the drawings are shown for illustrative purposes only and form no part of the claimed design. In addition, the surface shading, if any, illustrated in the drawings is provided merely to highlight the contour of the design; it is not intended to be illustrative of texture or gloss.

**1 Claim, 7 Drawing Sheets**

(56) **References Cited**

U.S. PATENT DOCUMENTS

- D95,156 S \* 4/1935 Soellner ..... D21/811
- D113,218 S \* 2/1939 Collins ..... D21/811
- D153,602 S 5/1949 Halbriter
- D163,497 S 5/1951 Waas
- D177,456 S 4/1956 Altemiller
- 3,624,939 A 12/1971 Gossard
- D223,940 S 6/1972 Whitworth
- 4,177,986 A 12/1979 Campbell
- D271,173 S 11/1983 Keshishian
- 4,491,220 A 1/1985 Daviss
- D279,069 S 6/1985 Goodlaxson
- D283,009 S 3/1986 Jennette
- D304,262 S 10/1989 Mays
- 5,282,636 A 2/1994 Wyman et al.
- D357,386 S 4/1995 Jones
- 5,419,238 A \* 5/1995 Pinone ..... 99/323.6
- D366,304 S \* 1/1996 Lewis ..... D21/811
- D367,339 S 2/1996 Dunn



# US D682,004 S

Page 2

---

## U.S. PATENT DOCUMENTS

D440,461 S	4/2001	Mak	D612,661 S	3/2010	Kauer	
D447,195 S	8/2001	Wiedner et al.	D621,199 S	8/2010	Lam et al.	
D461,097 S	8/2002	Nemirovsky	D628,428 S	12/2010	Bond	
D466,177 S	11/2002	Carter et al.	D628,847 S	12/2010	Liu	
D524,090 S	7/2006	Wise	D632,123 S	2/2011	Kauer	
D528,346 S	9/2006	Brekke	D633,748 S	3/2011	Haskin	
D551,016 S	9/2007	Bond	D640,496 S	6/2011	Lam	
D552,405 S	10/2007	Bond	D640,892 S	7/2011	Lam	
D563,145 S	3/2008	Henry	D645,292 S	9/2011	Bond	
D575,965 S	9/2008	Weldon	D650,627 S	12/2011	Kauer	
D607,260 S	1/2010	Lam	D653,498 S *	2/2012	Bond	..... D7/387
D612,189 S	3/2010	Kauer	D663,992 S *	7/2012	Kauer	..... D7/325

\* cited by examiner

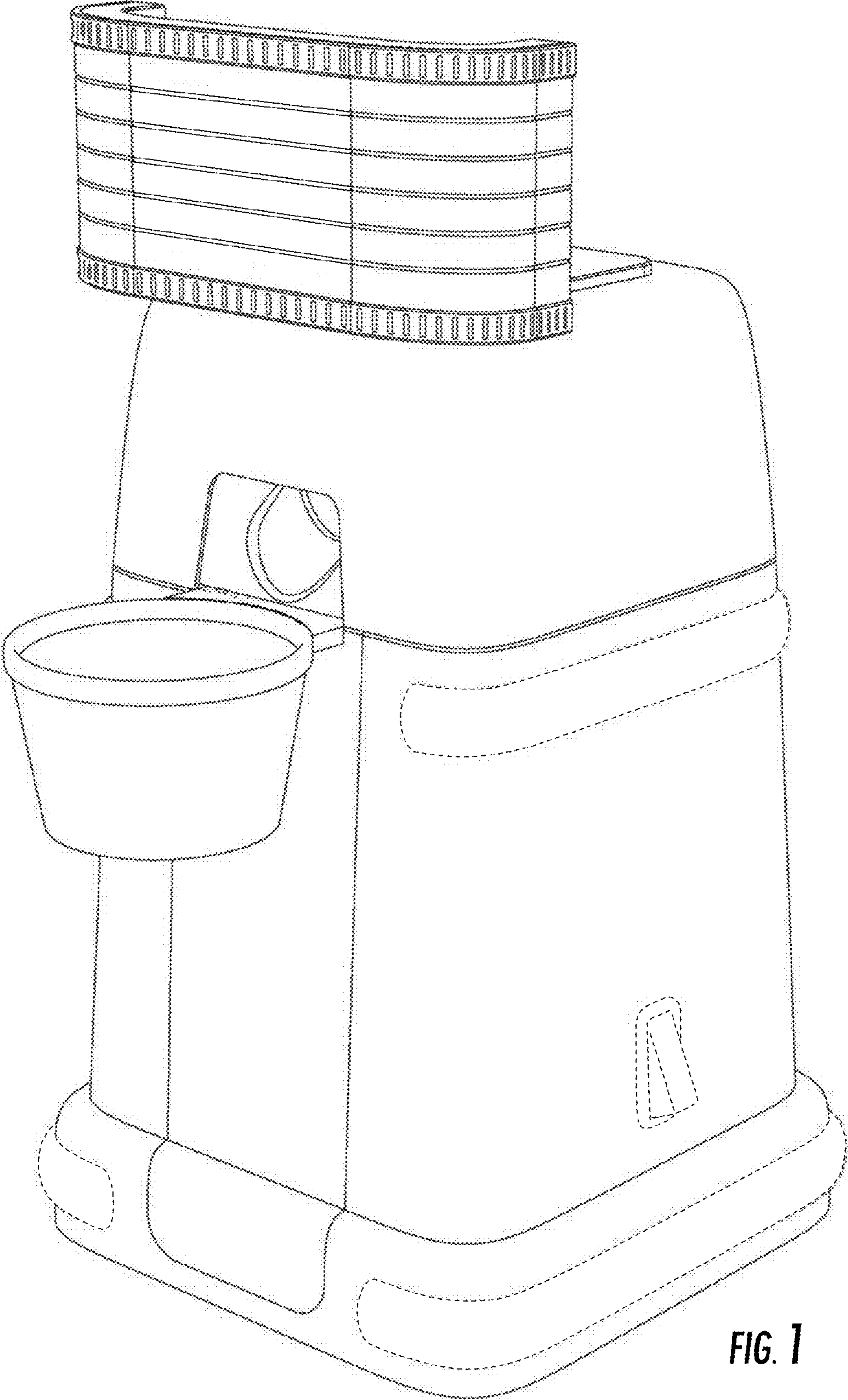


FIG. 1

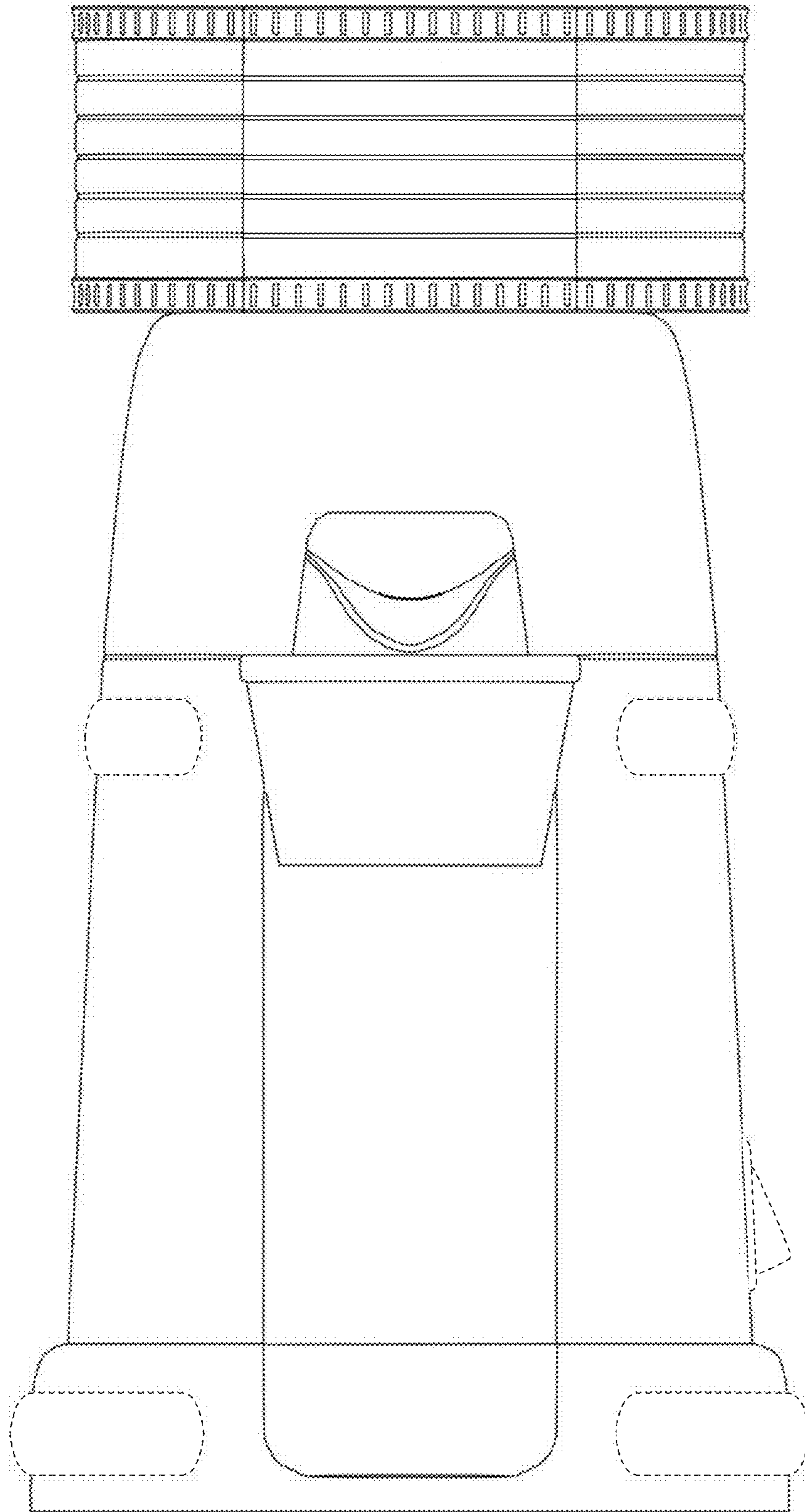


FIG. 2

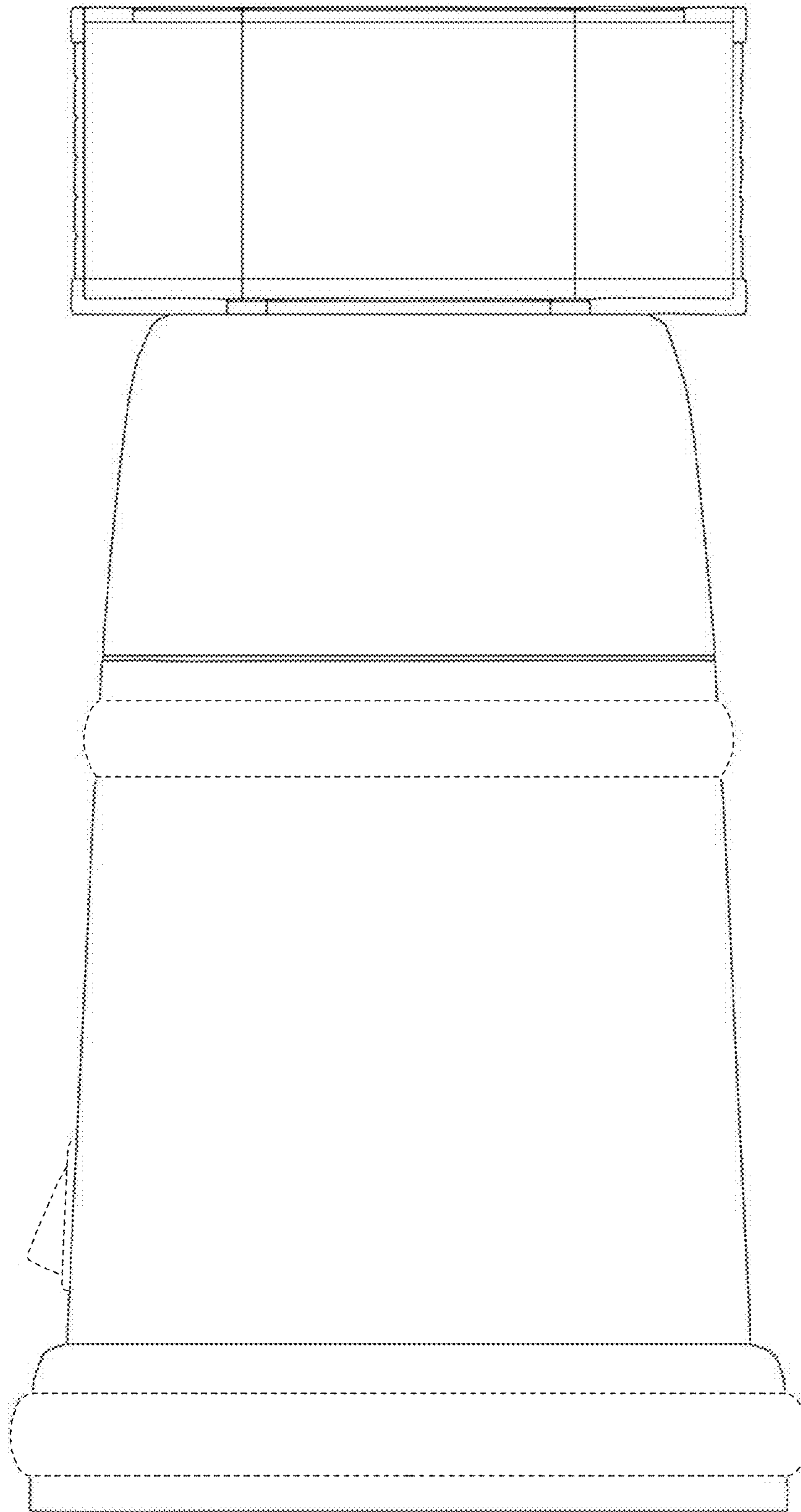


FIG. 3

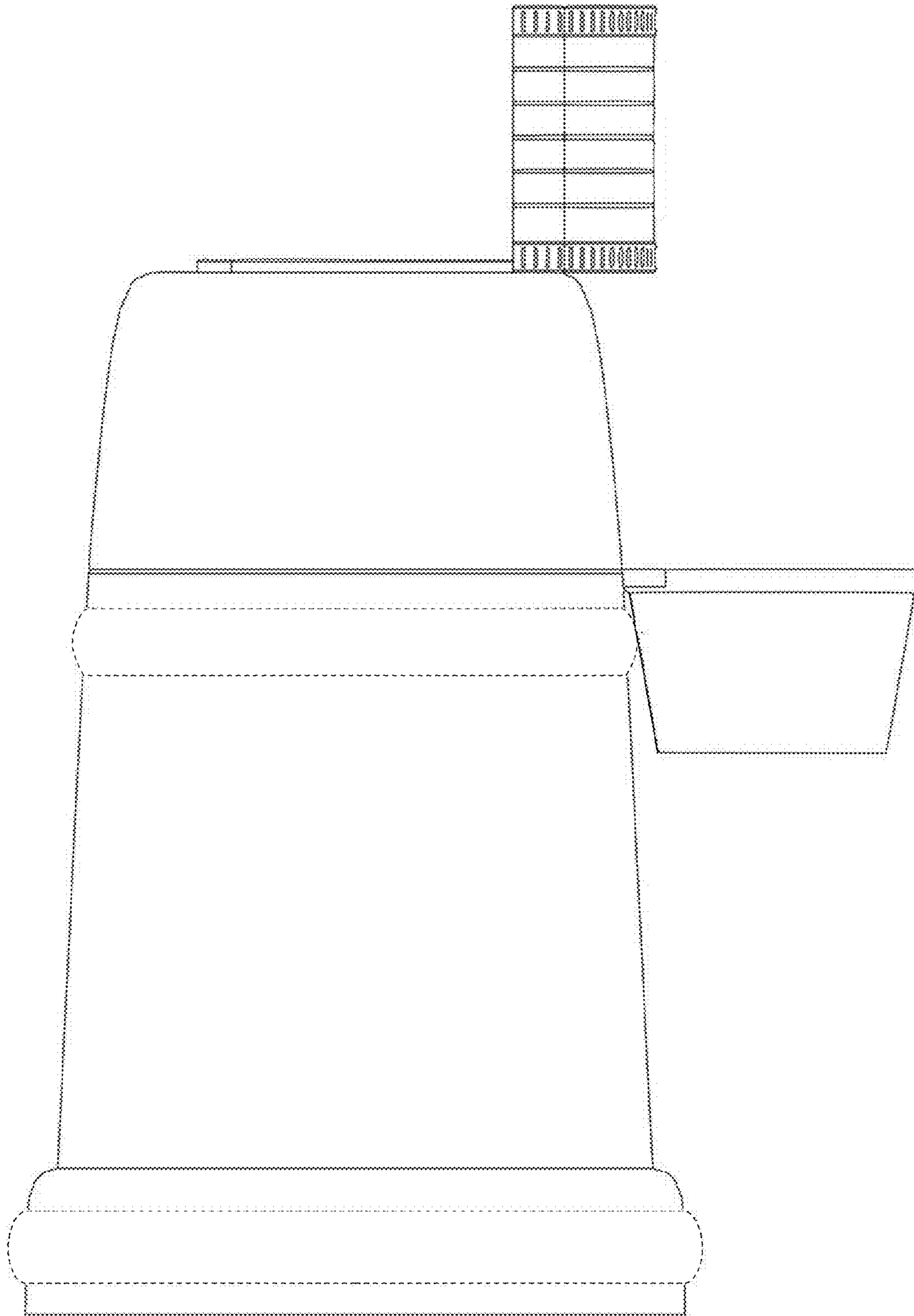


FIG. 4

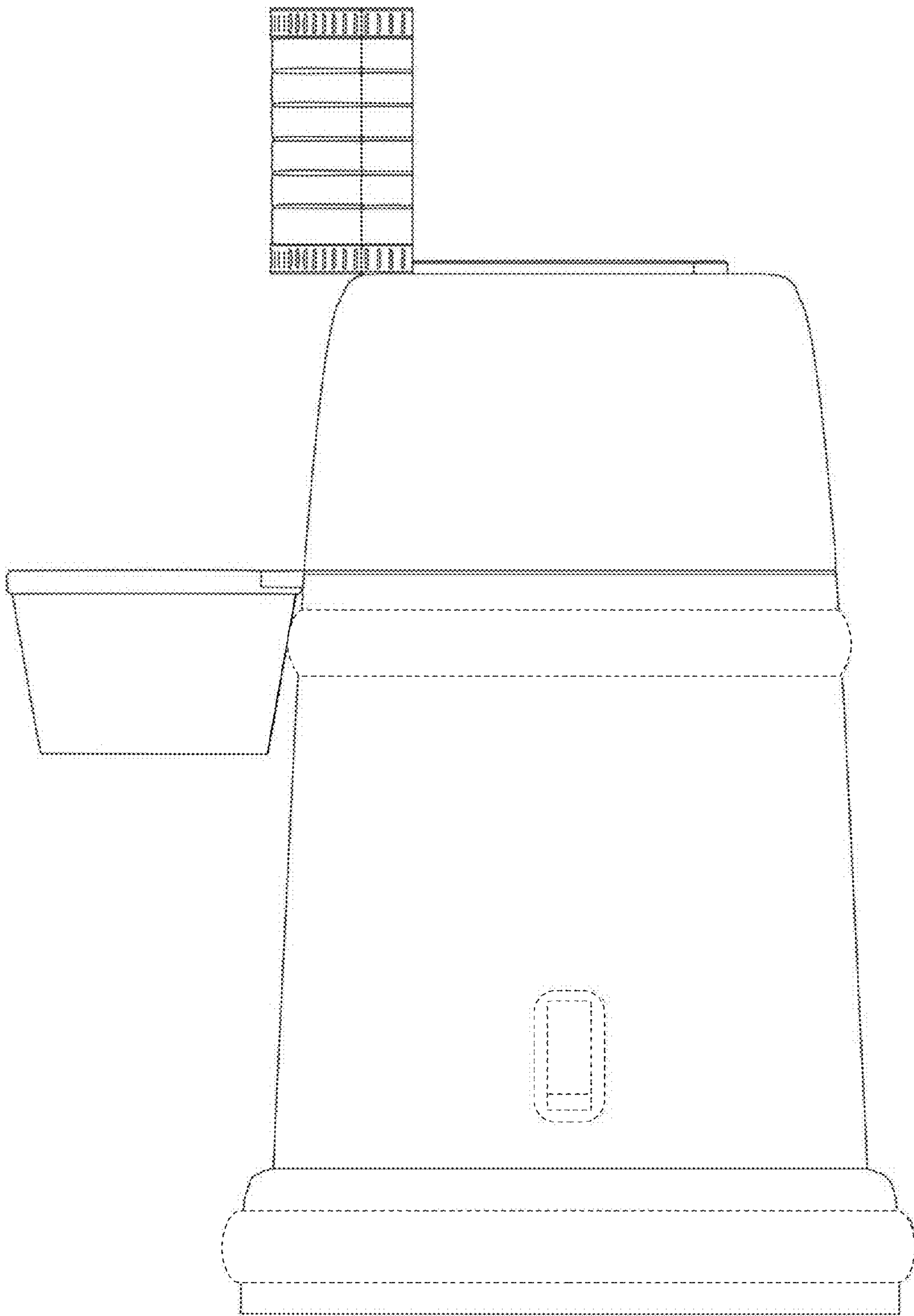
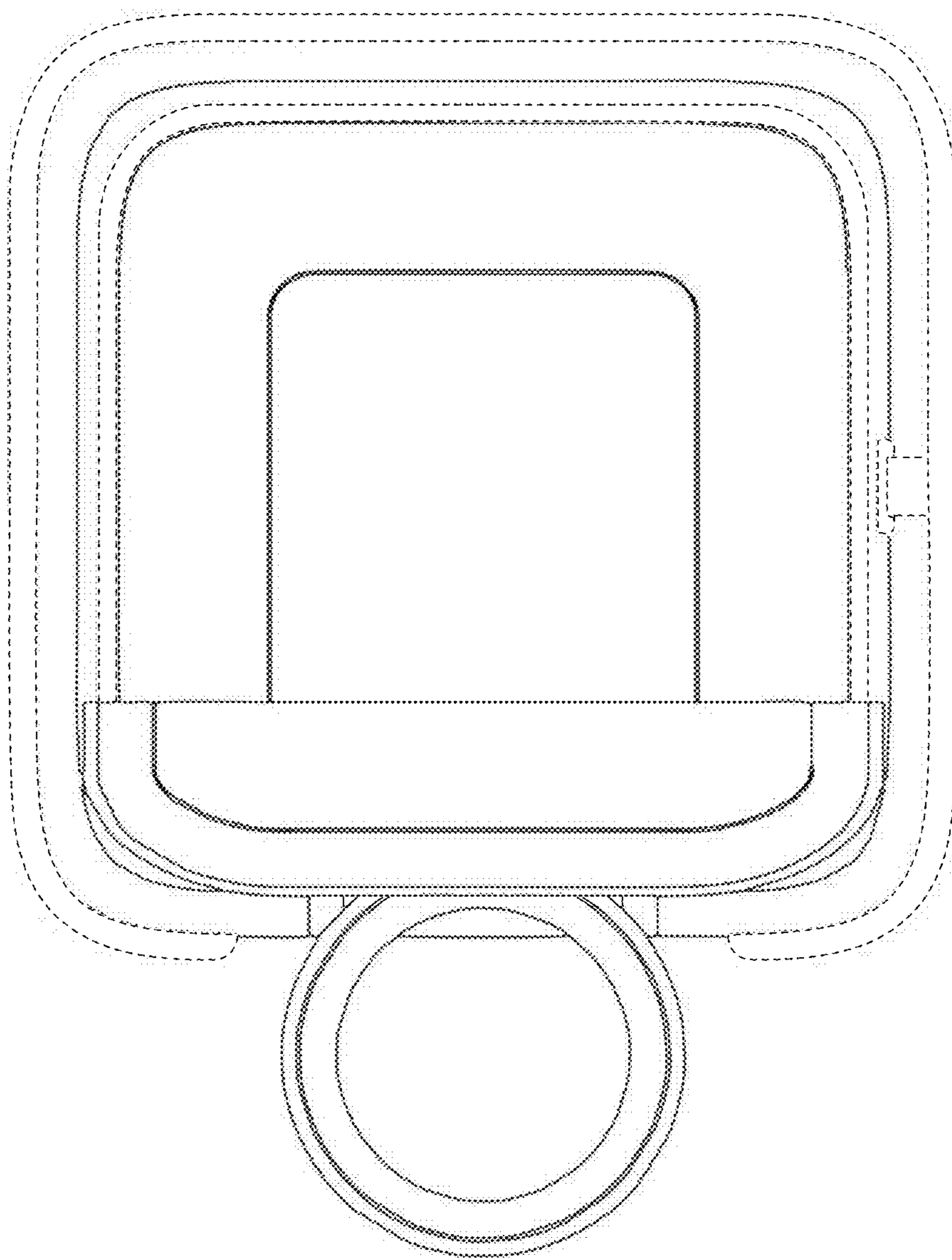
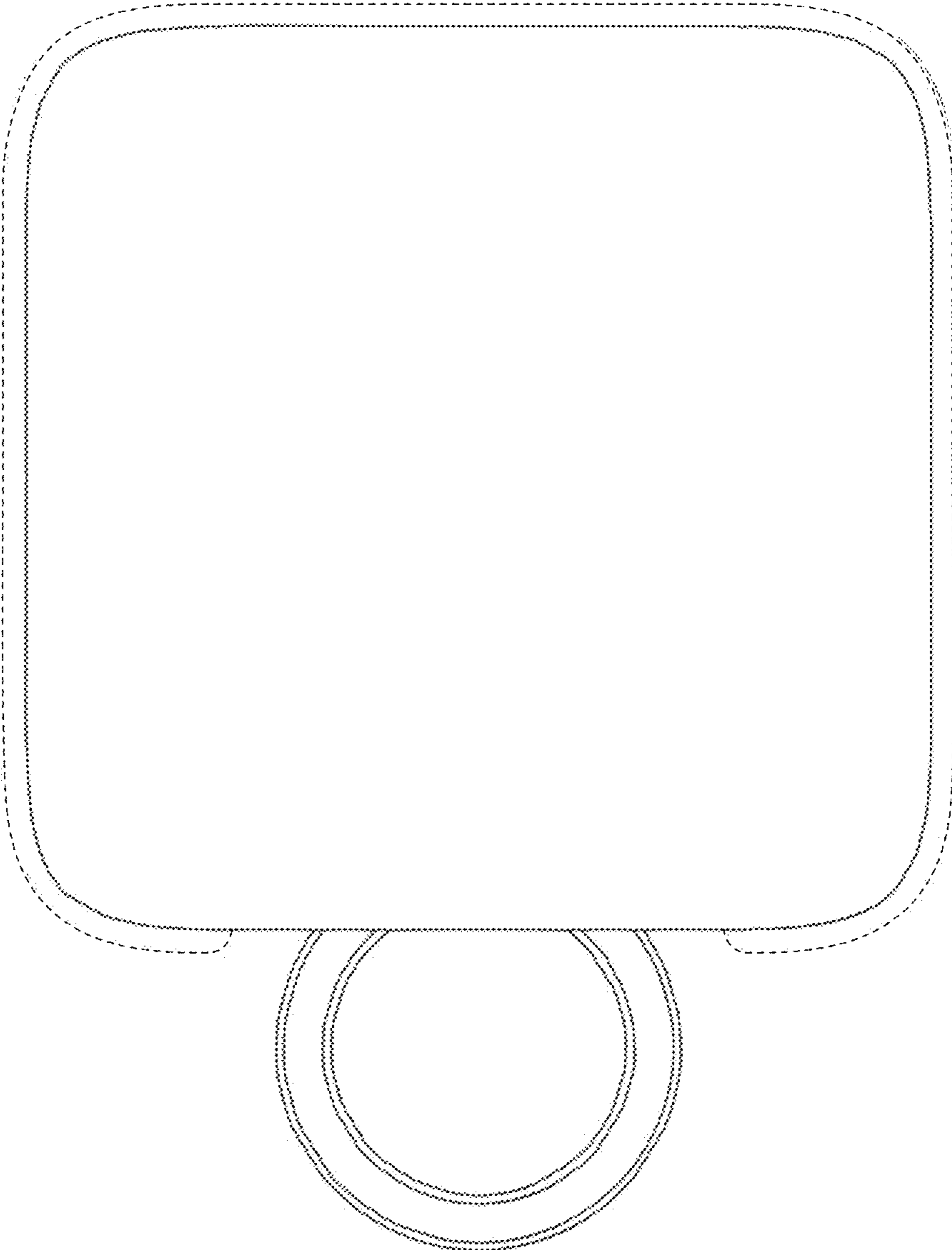


FIG. 5



**FIG. 6**





**FIG. 7**