



US00D682003S

(12) **United States Design Patent**
Kuzmin et al.

(10) **Patent No.:** **US D682,003 S**

(45) **Date of Patent:** **** May 14, 2013**

(54) **CONTAINER OF A LIQUID FILTRATION DEVICE**

6,103,114 A * 8/2000 Tanner et al. 210/232
D552,916 S * 10/2007 Bodum D7/318
D573,394 S * 7/2008 Tullney et al. D7/317

(76) Inventors: **Alexey Leonidovich Kuzmin**, St. Petersburg (RU); **Joseph Lvovich Shmidt**, New York, NY (US)

FOREIGN PATENT DOCUMENTS

DE 49909318.6 1/2000
RU 50975 9/2002

(**) Term: **14 Years**

* cited by examiner

(21) Appl. No.: **29/396,068**

Primary Examiner — Marianne Pandozzi

(22) Filed: **Jun. 24, 2011**

(74) *Attorney, Agent, or Firm* — SciTech Legal, P.C.; Yakov M. Korkhin, Esq.

(30) **Foreign Application Priority Data**

(57) **CLAIM**

Mar. 25, 2011 (RU) 2011500884

The ornamental design for a container of a liquid filtration device, as shown and described.

(51) **LOC (9) Cl.** **07-01**

DESCRIPTION

(52) **U.S. Cl.**
USPC **D7/319**

(58) **Field of Classification Search** D7/376,
D7/316-319, 600, 598; 99/286, 293, 453;
D10/46.2; D23/207, 209; D15/147
See application file for complete search history.

FIG. 1 is a left rear perspective view of a container of a liquid filtration device of the present invention;
FIG. 2 is a left side view thereof;
FIG. 3 is a front view thereof;
FIG. 4 is a rear view thereof;
FIG. 5 is a bottom plan view thereof; and,
FIG. 6 is a top plan view thereof.

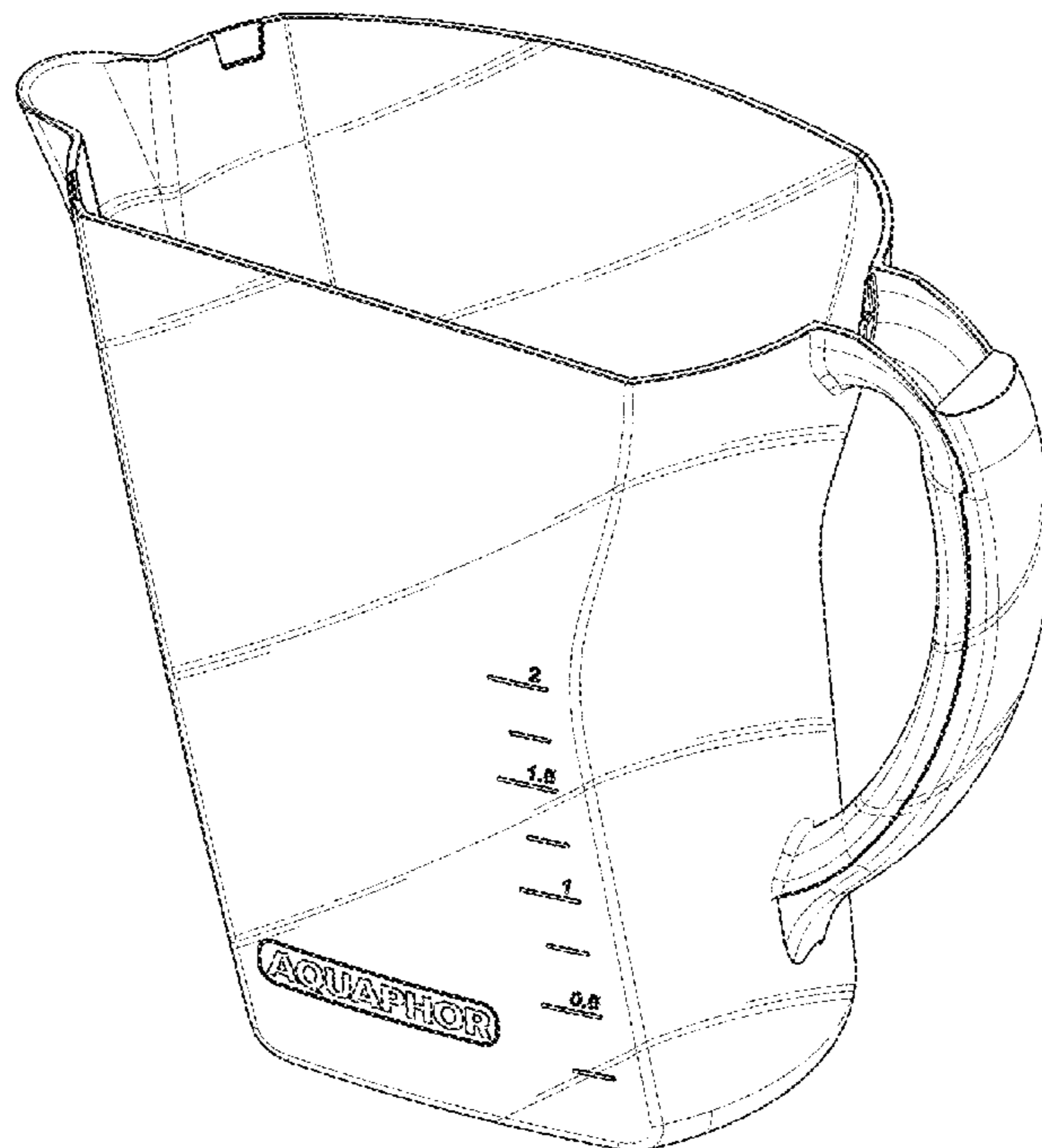
(56) **References Cited**

U.S. PATENT DOCUMENTS

D173,455 S * 11/1954 Reinecke et al. D7/317
D217,178 S * 4/1970 Crider D7/317
D299,607 S * 1/1989 Ryan D10/46.2
5,054,661 A * 10/1991 Hollje 222/465.1
D328,492 S * 8/1992 Mathis D24/121
5,637,214 A * 6/1997 Kahana 210/282
D388,654 S * 1/1998 Bouhuys D7/319
D406,003 S * 2/1999 Tanner et al. D7/319
D418,714 S * 1/2000 Fox et al. D7/319

The claimed container for a liquid filtration device is a pitcher for use in constructing portable, table-top devices for liquid filtration, including water, with a removable cartridge. The broken lines showing environmental structure is for illustrative purposes only and form no part of the claimed design. "Aquaphor" forming a part of the claimed design is a registered trademark (US Reg. No. 2565363) of Electrophor Inc., a New York corporation.

1 Claim, 6 Drawing Sheets



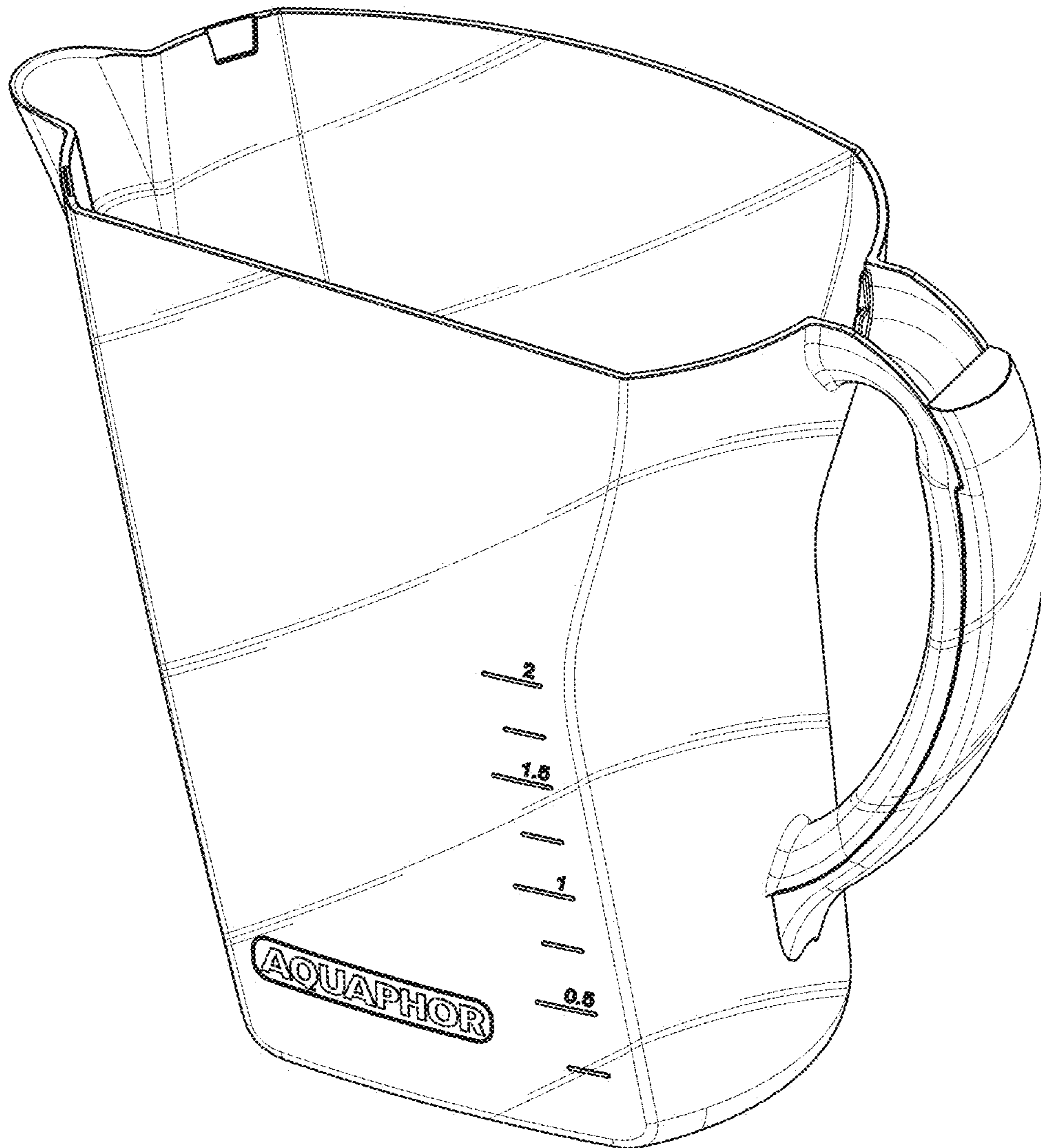


FIG. 1

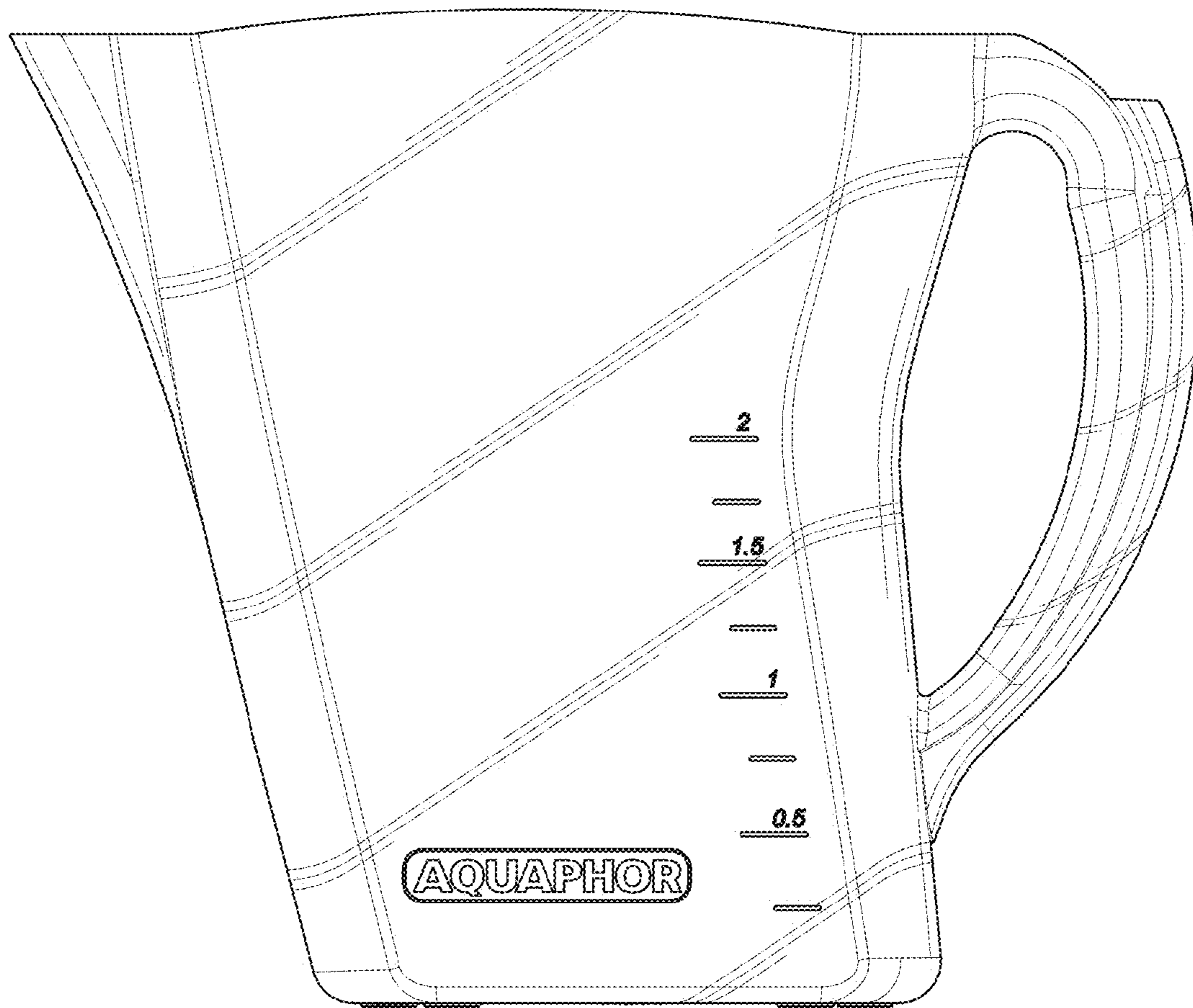


FIG. 2

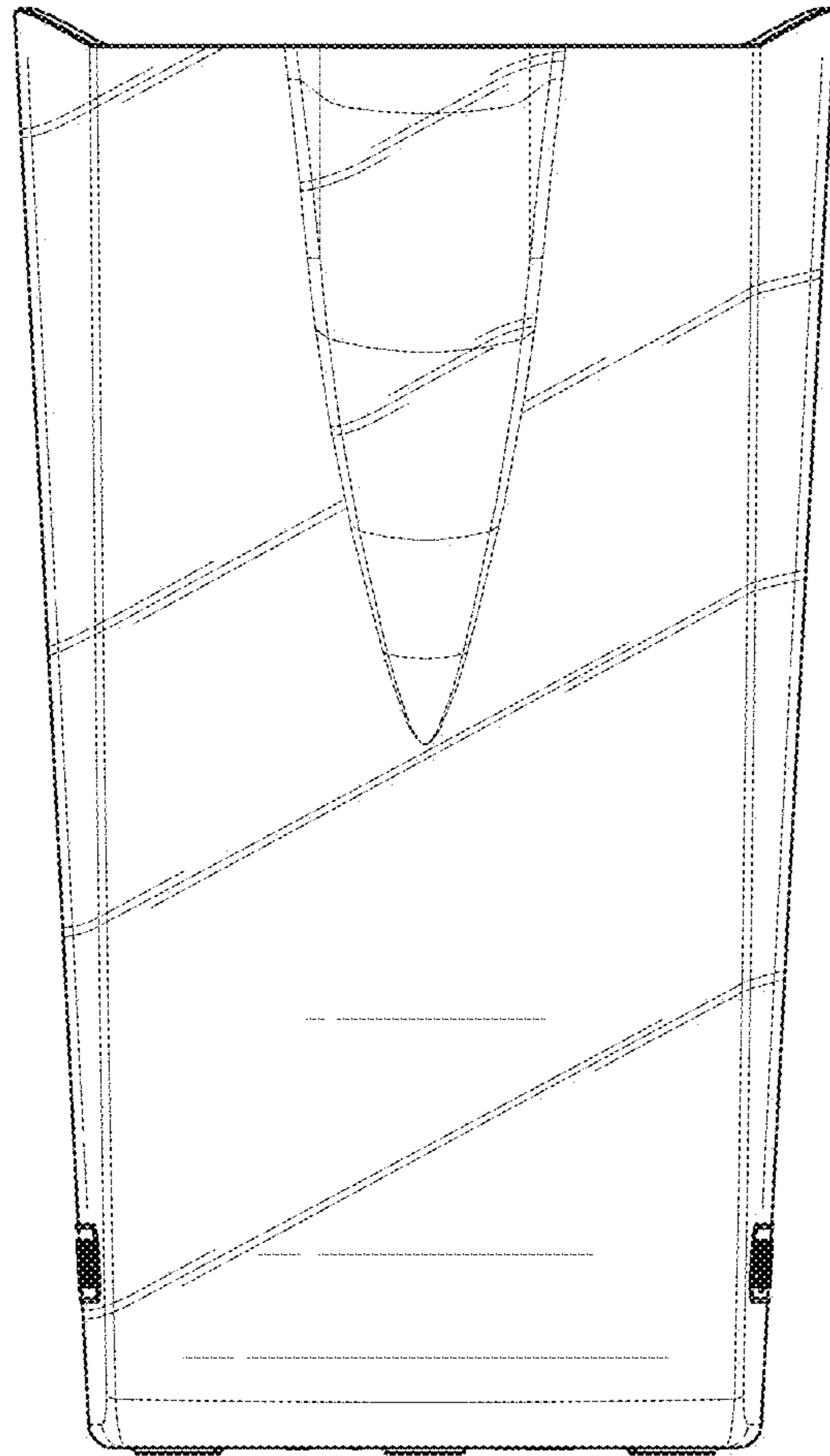


FIG. 3

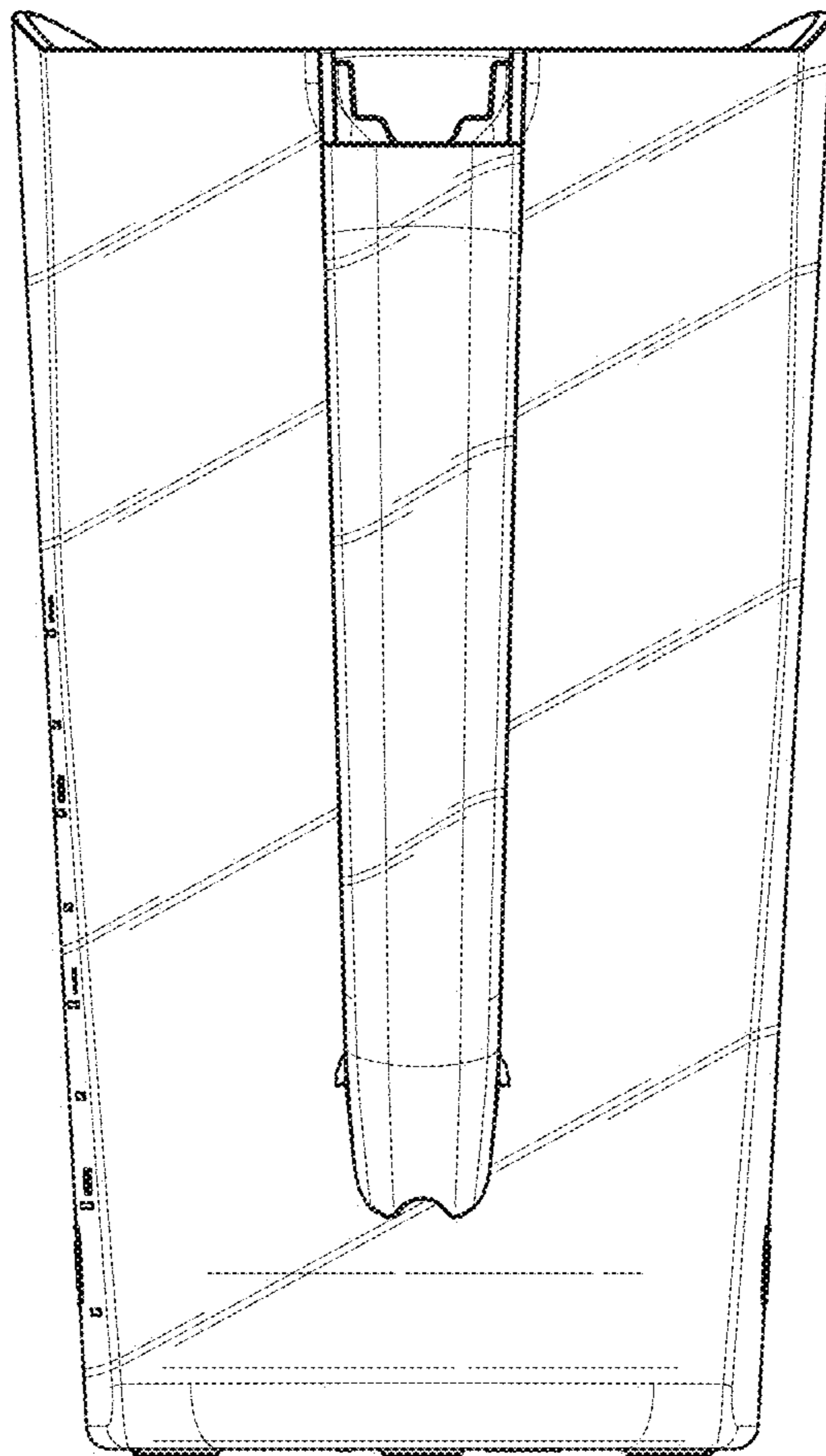


FIG. 4

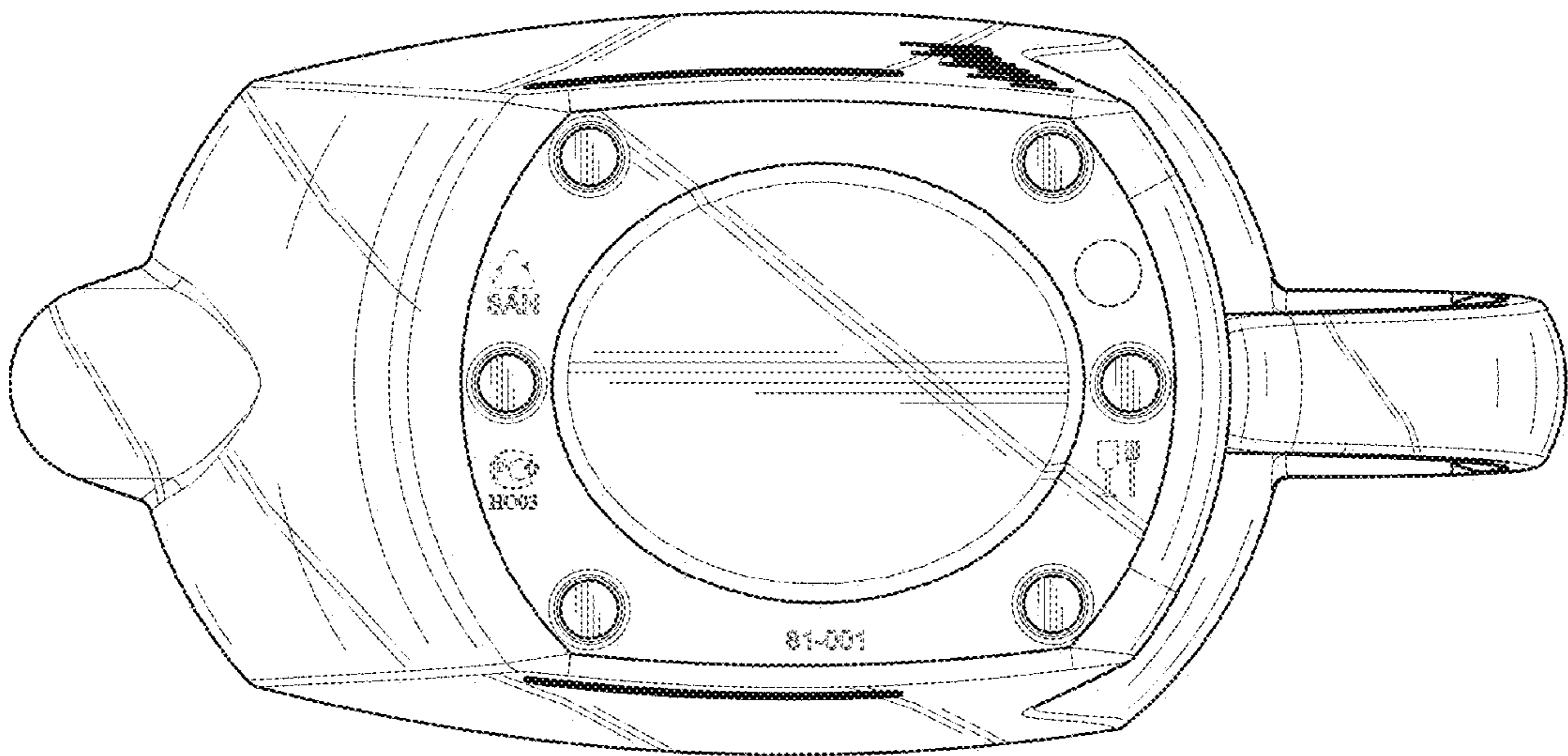


FIG. 5

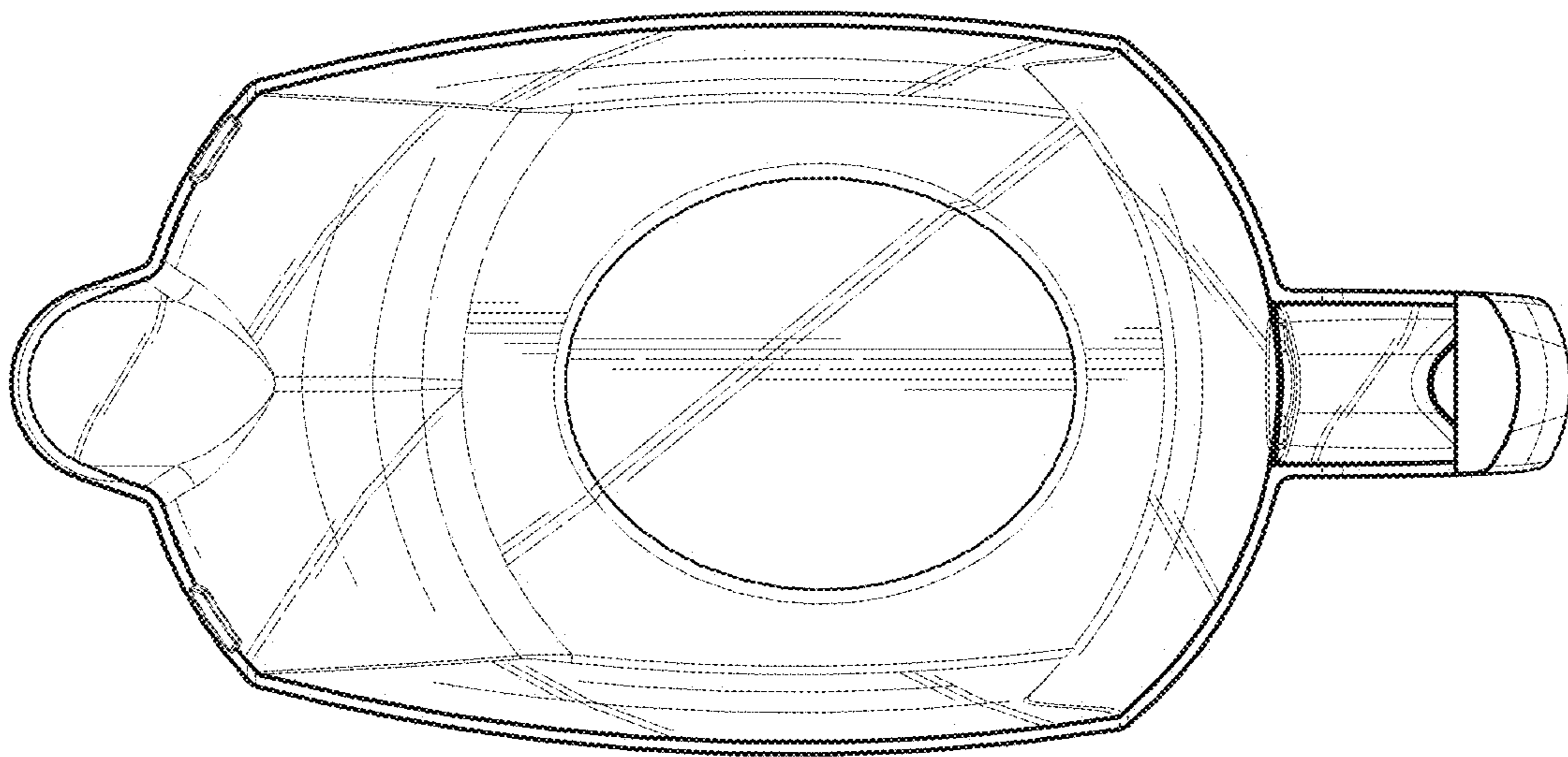


FIG. 6