

US00D682002S

(12) **United States Design Patent**
Munson

(10) **Patent No.:** **US D682,002 S**

(45) **Date of Patent:** **** May 14, 2013**

(54) **BEVERAGE PITCHER**

(75) Inventor: **Jeff Munson**, Laguna Niguel, CA (US)

(73) Assignee: **Cambro Manufacturing Company**,
Huntington Beach, CA (US)

(**) Term: **14 Years**

(21) Appl. No.: **29/411,249**

(22) Filed: **Jan. 18, 2012**

(51) **LOC (9) Cl.** **07-01**

(52) **U.S. Cl.**
USPC **D7/318**

(58) **Field of Classification Search** D7/316-319,
D7/300, 598, 600; 222/465.1, 131; 215/12.1
See application file for complete search history.

(56) **References Cited**

U.S. PATENT DOCUMENTS

D97,924 S * 12/1935 Cowan D7/319
3,861,565 A * 1/1975 Rickmeier, Jr. 222/131
D248,205 S * 6/1978 Schreckengost D7/319

4,655,373 A * 4/1987 Essen 222/465.1
D309,077 S * 7/1990 Pomroy D7/318
D323,093 S * 1/1992 Picozza et al. D7/319
D338,367 S * 8/1993 Fonville D7/317
D480,904 S * 10/2003 Backes et al. D7/318
D514,868 S * 2/2006 Achenbach et al. D7/318

* cited by examiner

Primary Examiner — Marianne Pandozzi

(74) *Attorney, Agent, or Firm* — George F. Bethel

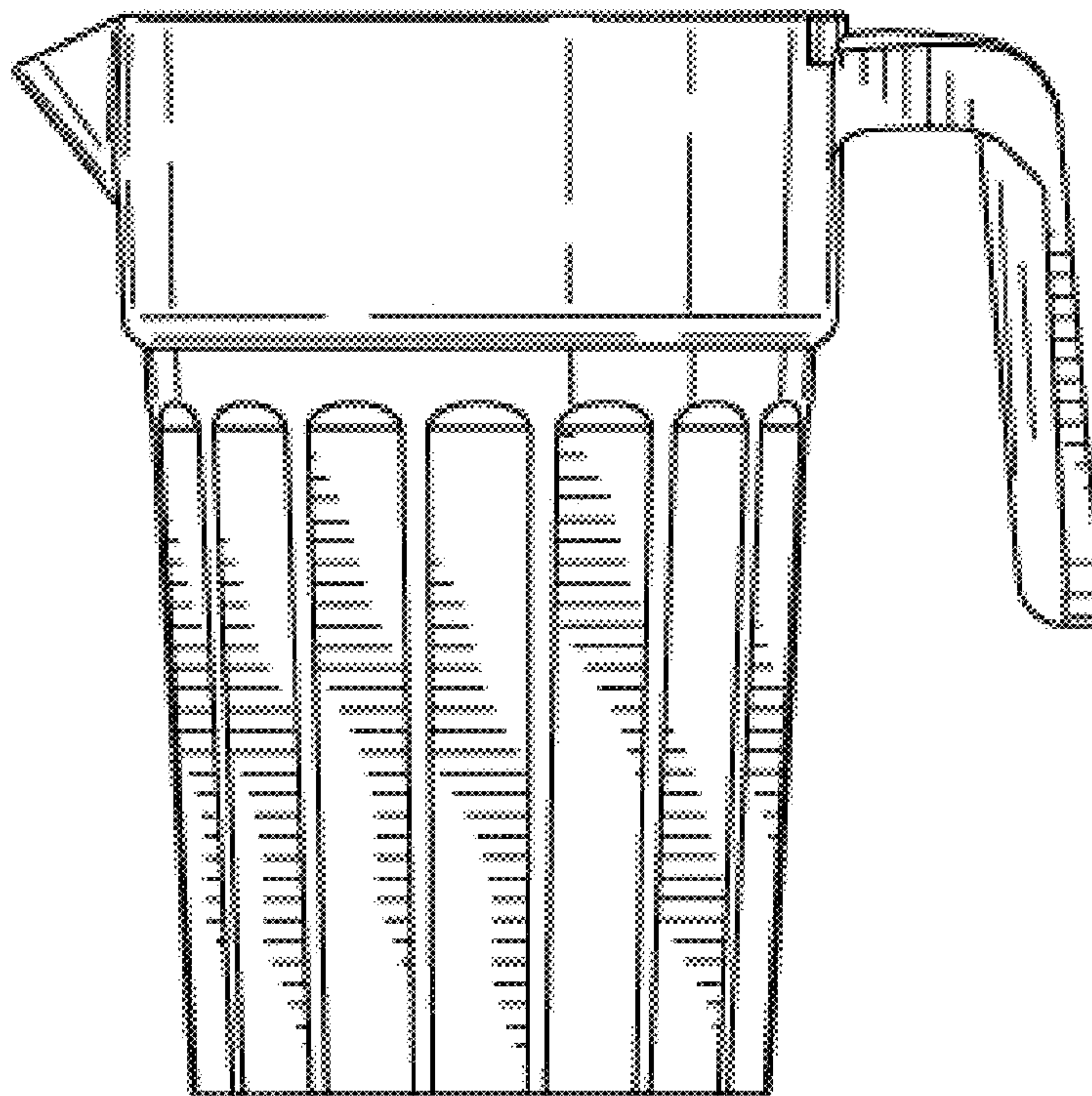
(57) **CLAIM**

I claim the ornamental design for a beverage pitcher, as shown and described.

DESCRIPTION

FIG. 1 is a perspective view of the beverage pitcher.
FIG. 2 is a front elevation view thereof.
FIG. 3 is a right side elevation view thereof.
FIG. 4 is a top plan view thereof.
FIG. 5 is a left side elevation view thereof.
FIG. 6 is a rear elevation view thereof; and,
FIG. 7 is a bottom plan view of the beverage pitcher.

1 Claim, 3 Drawing Sheets



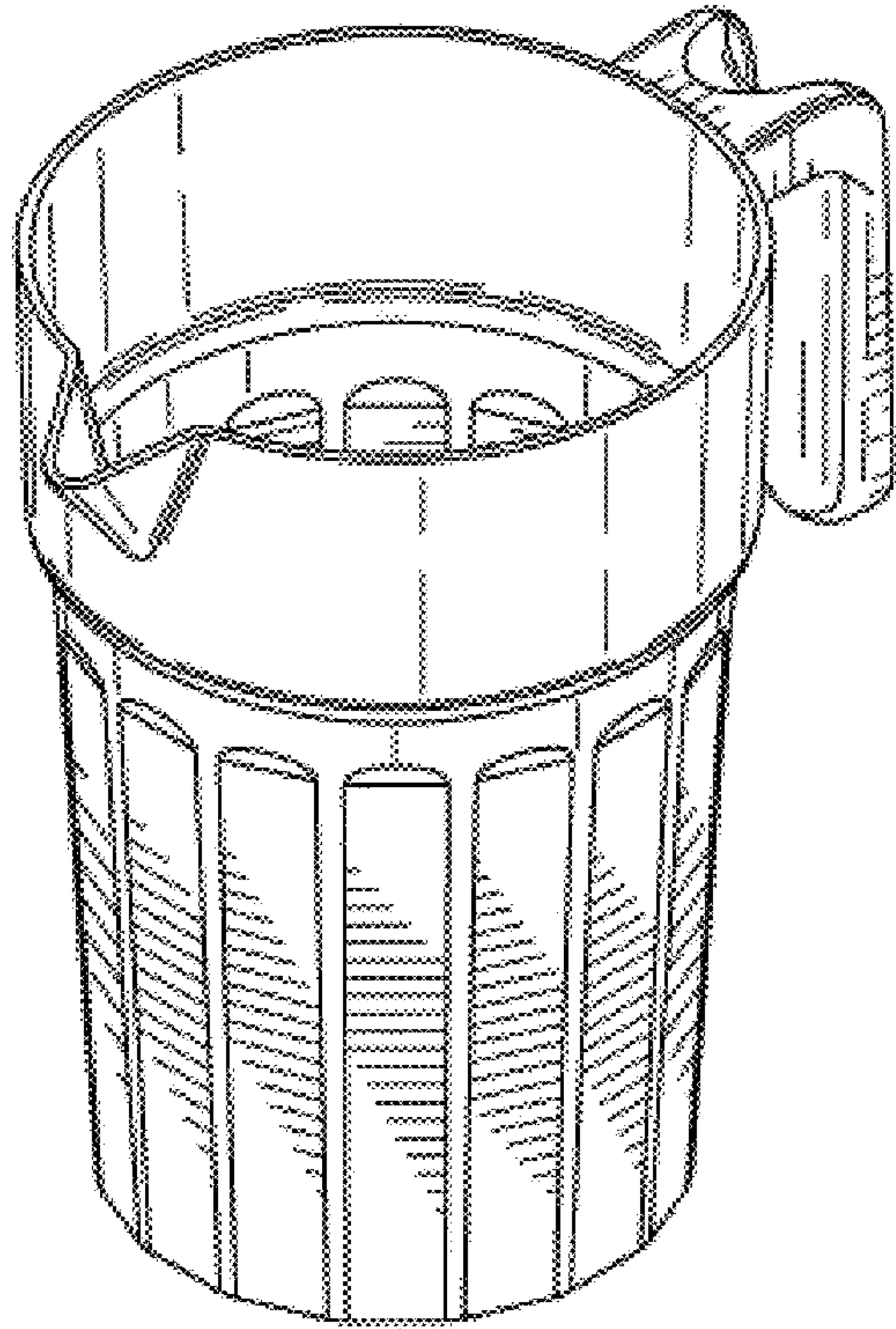


FIG. 1

FIG. 4

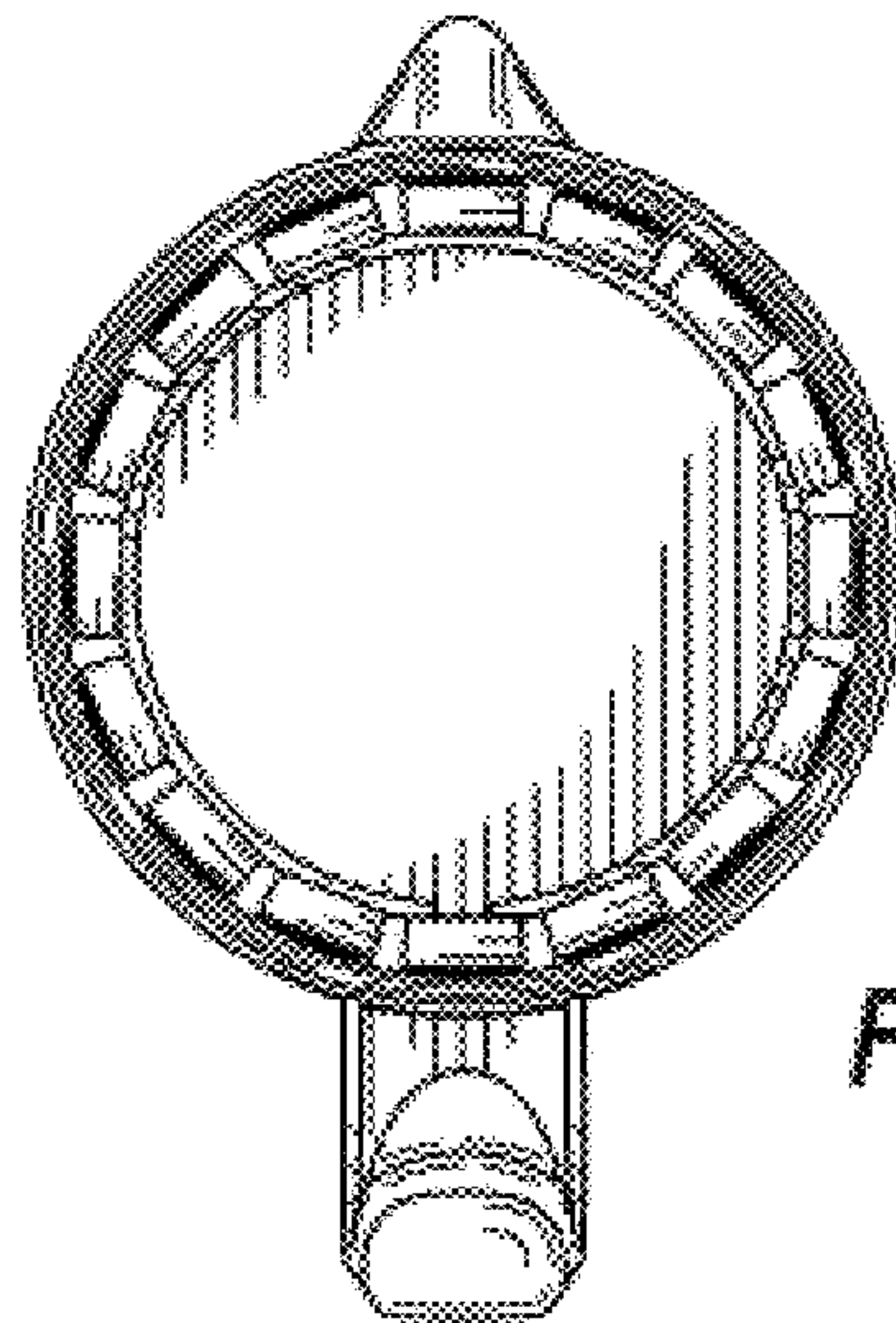
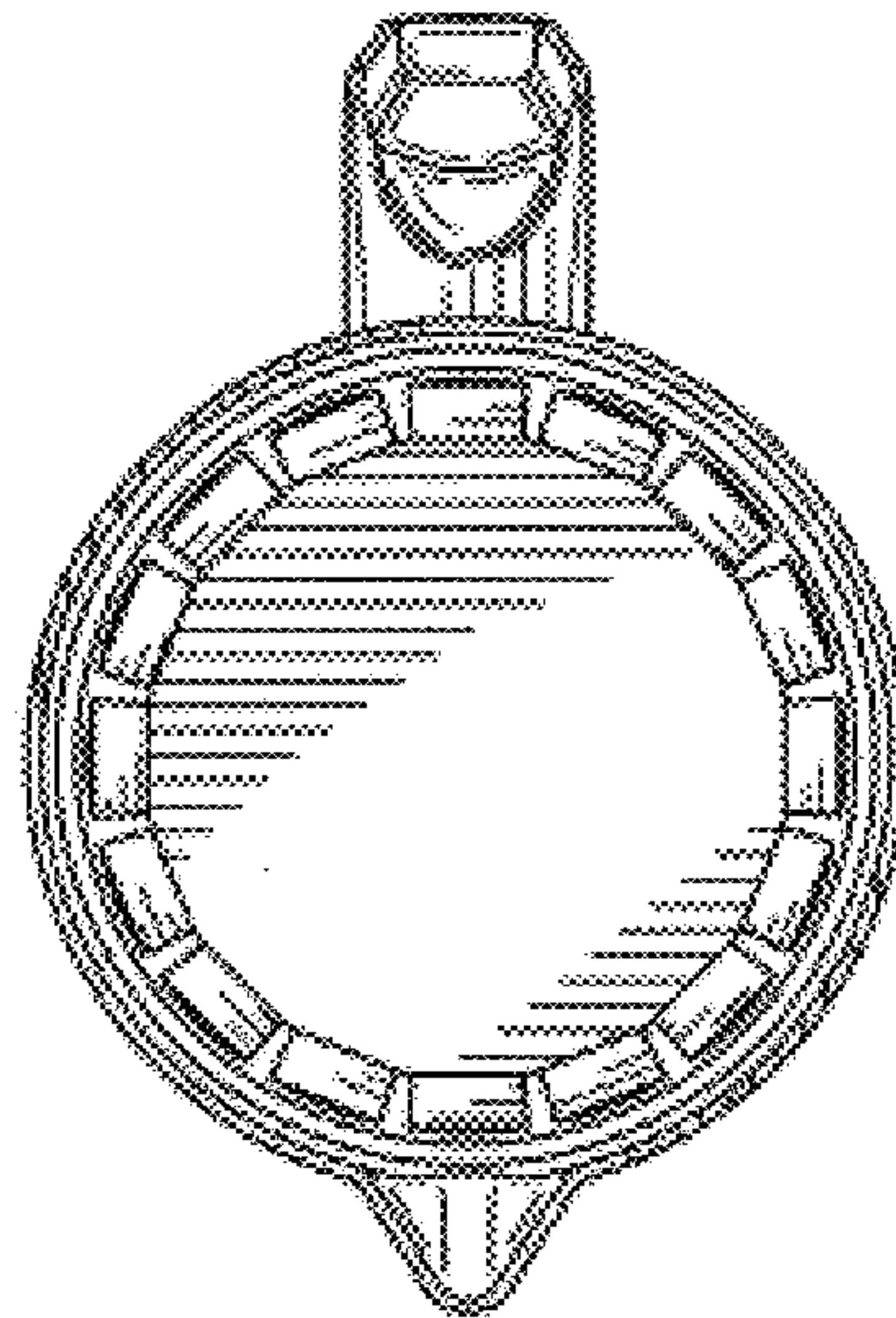


FIG. 7

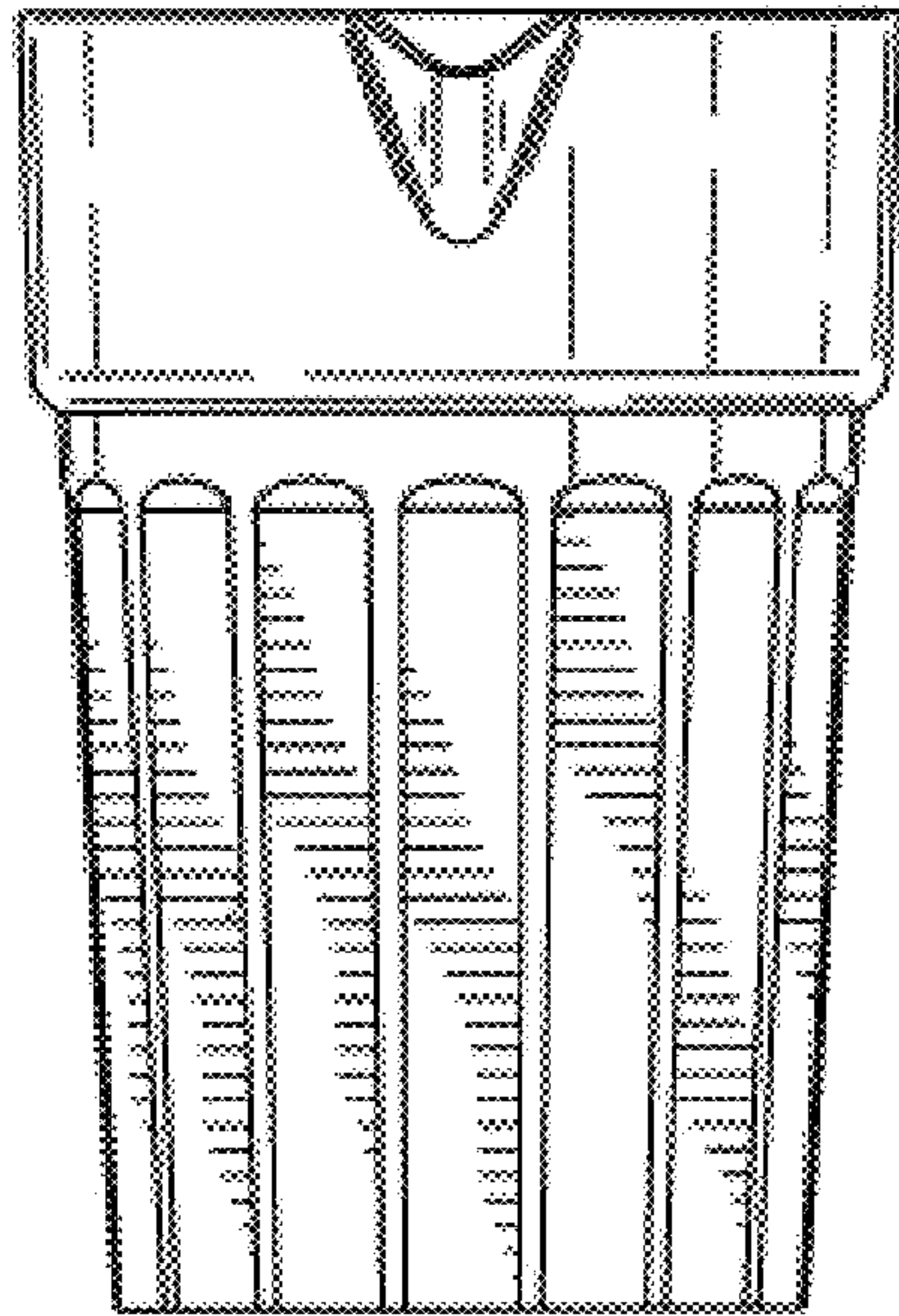


FIG. 2

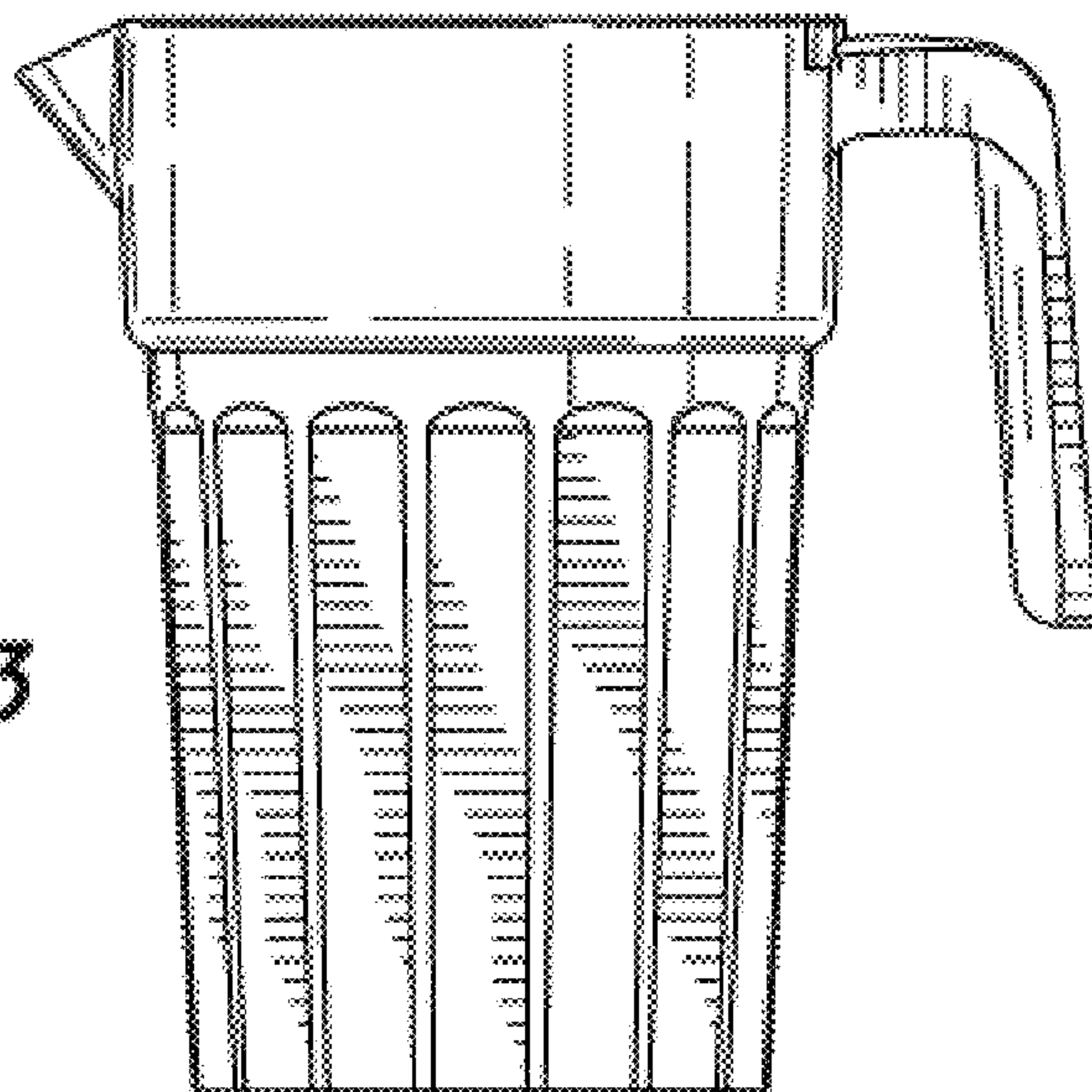


FIG. 3

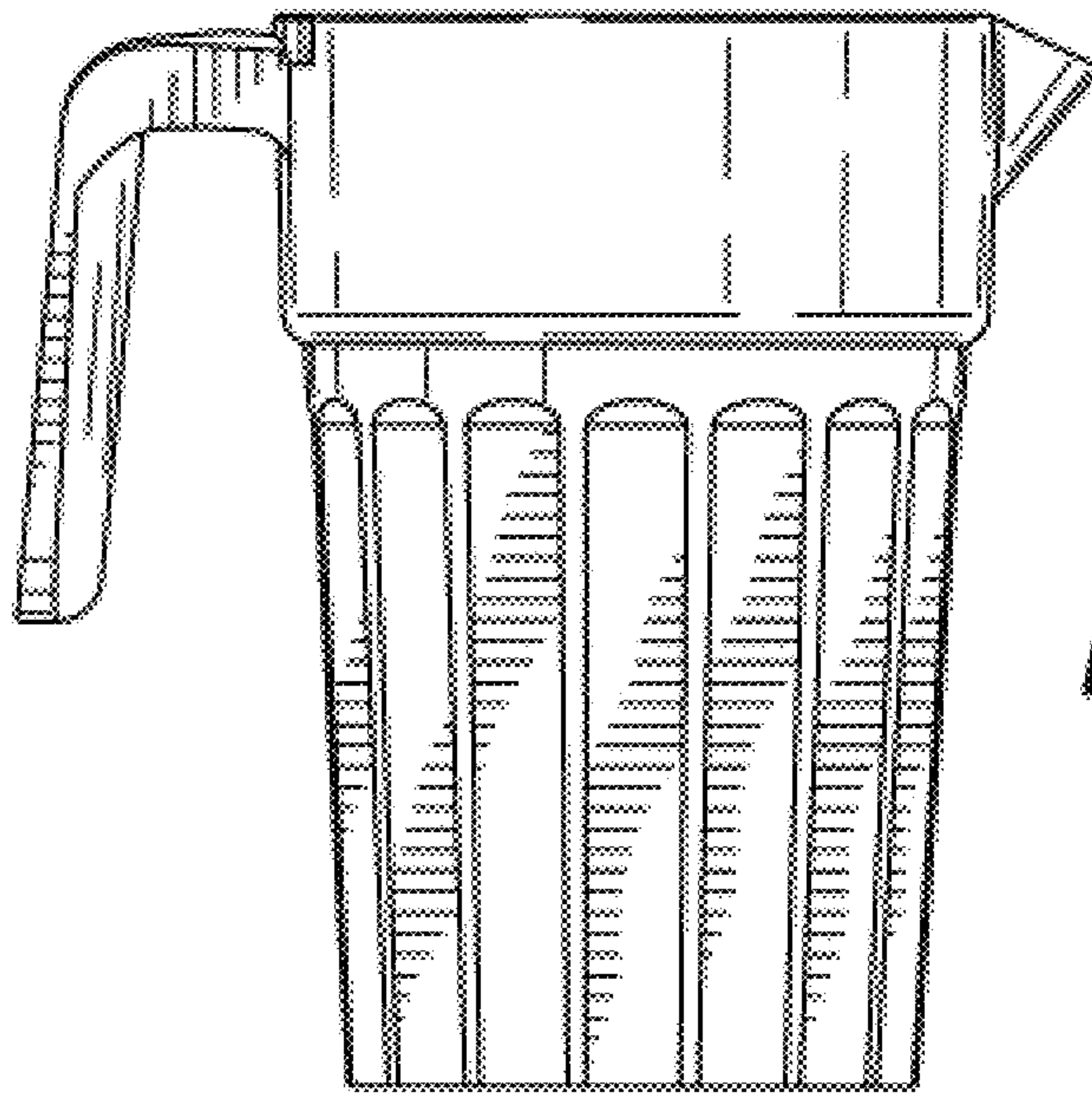


FIG. 5

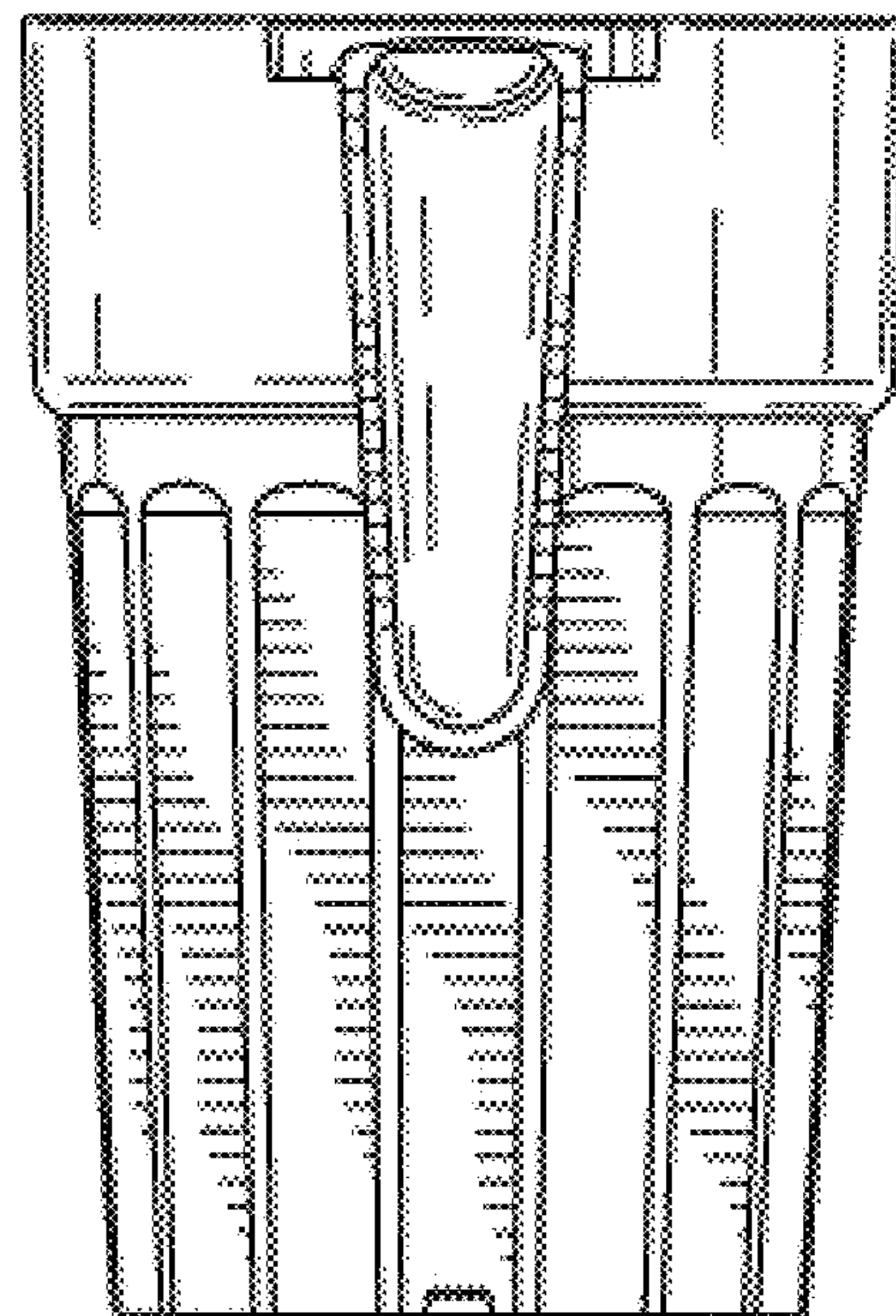


FIG. 6