



US00D682001S

(12) **United States Design Patent**  
**Verhaagen et al.**

(10) **Patent No.:** **US D682,001 S**  
(45) **Date of Patent:** **\*\* May 14, 2013**

- (54) **COFFEE AND TEA MAKER**
- (75) Inventors: **Remko Verhaagen**, Rotterdam (NL);  
**Sjoerd Hoyinck**, Eindhoven (NL)
- (73) Assignee: **Koninklijke Douwe Egberts B.V.** (NL)
- (\*\*) Term: **14 Years**
- (21) Appl. No.: **29/408,717**
- (22) Filed: **Dec. 15, 2011**
- (30) **Foreign Application Priority Data**  
Jun. 20, 2011 (EM) ..... 001880345-001
- (51) **LOC (9) Cl.** ..... **07-01**
- (52) **U.S. Cl.**  
USPC ..... **D7/309; D7/310; D7/311; D7/306**
- (58) **Field of Classification Search** ..... D7/306-311,  
D7/300; 99/295, 300, 275  
See application file for complete search history.

- D603,207 S \* 11/2009 Metz et al. .... D7/307
- D647,356 S \* 10/2011 De' Longhi ..... D7/309
- D660,071 S \* 5/2012 Berlencourt ..... D7/309
- D669,295 S \* 10/2012 Koury et al. .... D7/310
- D672,919 S \* 12/2012 Campbell ..... D28/44.1
- D672,999 S \* 12/2012 De' Longhi ..... D7/309

\* cited by examiner

*Primary Examiner* — Marianne Pandozzi

(74) *Attorney, Agent, or Firm* — Kilpatrick Townsend & Stockton LLP

(57) **CLAIM**

We claim the ornamental design for a coffee and tea maker, as shown and described.

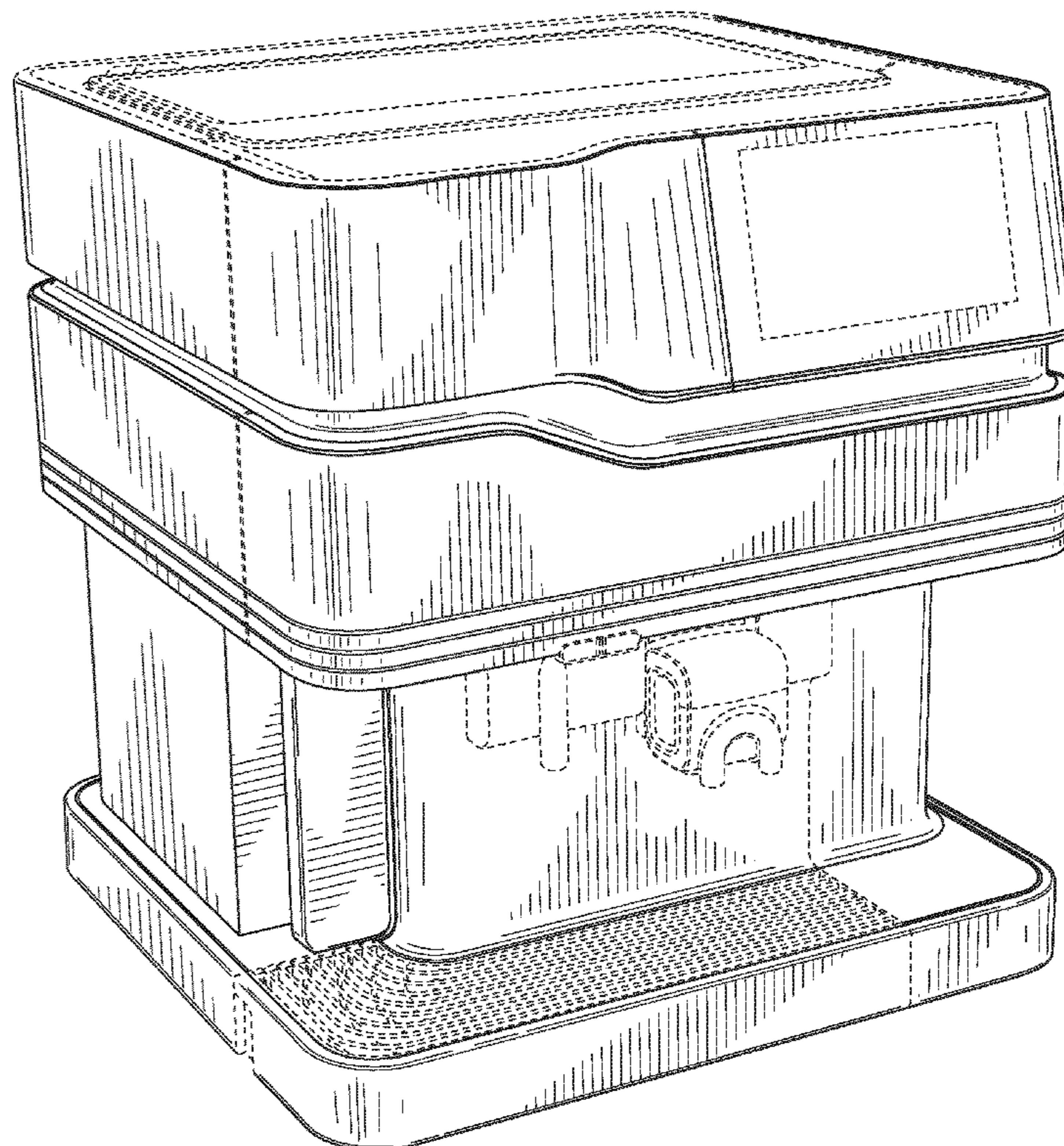
**DESCRIPTION**

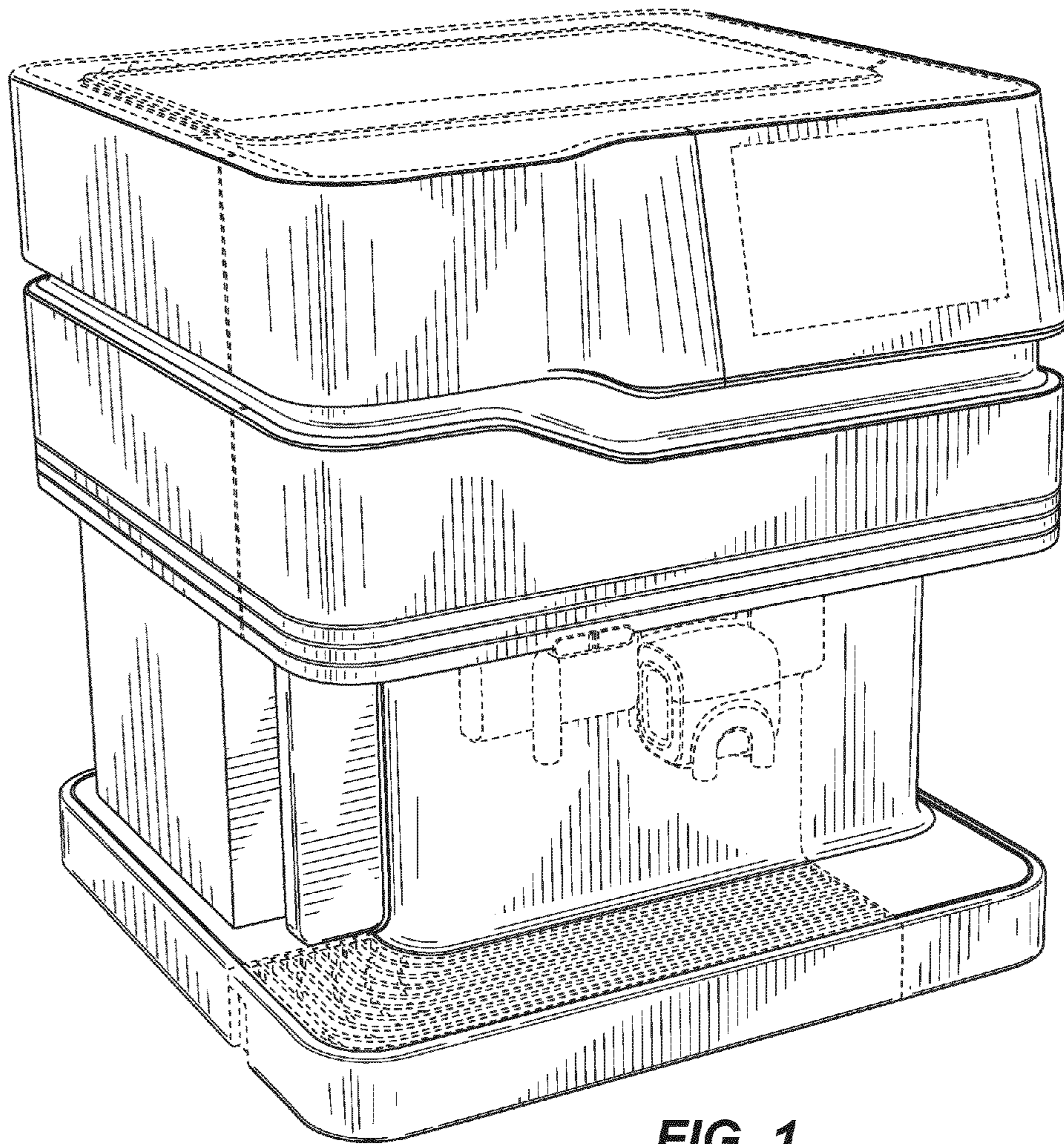
FIG. 1 is a perspective view of the claimed design;  
FIG. 2 is a front view thereof;  
FIG. 3 is a rear view thereof;  
FIG. 4 is a right side view thereof;  
FIG. 5 is a left side view thereof;  
FIG. 6 is a top view thereof; and,  
FIG. 7 is a bottom view thereof.

The ornamental design which is claimed is shown in solid lines in the drawings. The broken lines in the drawings are for illustrative purposes only and form no part of the claimed design.

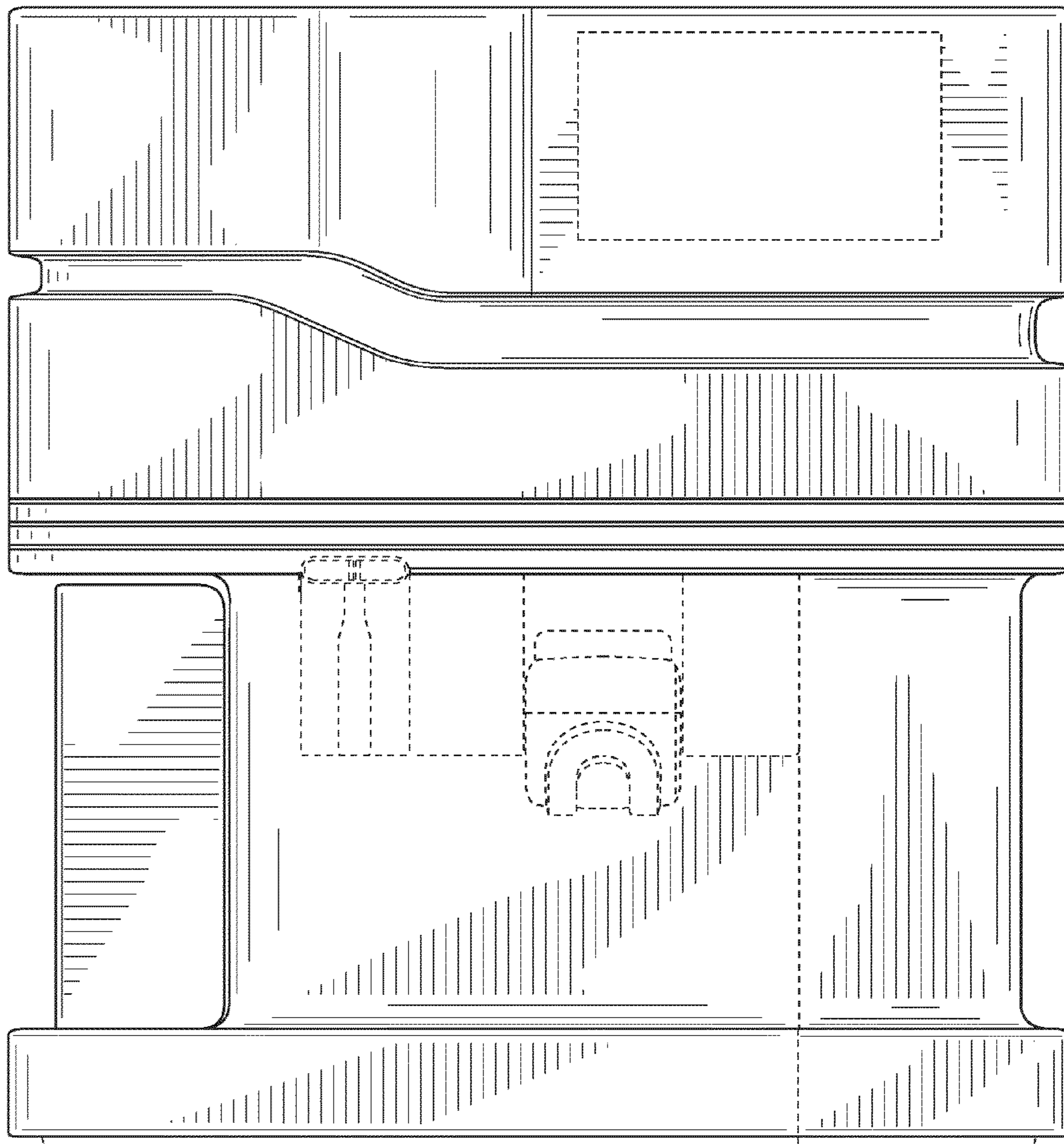
**1 Claim, 7 Drawing Sheets**

- (56) **References Cited**  
U.S. PATENT DOCUMENTS  
D381,237 S \* 7/1997 De'Longhi ..... D7/309  
D570,636 S \* 6/2008 Kulujian et al. .... D7/306  
D585,691 S \* 2/2009 Borin ..... D7/309  
D598,693 S \* 8/2009 Kindler et al. .... D7/309  
D600,061 S \* 9/2009 Glucksman et al. .... D7/309





**FIG. 1**



**FIG. 2**

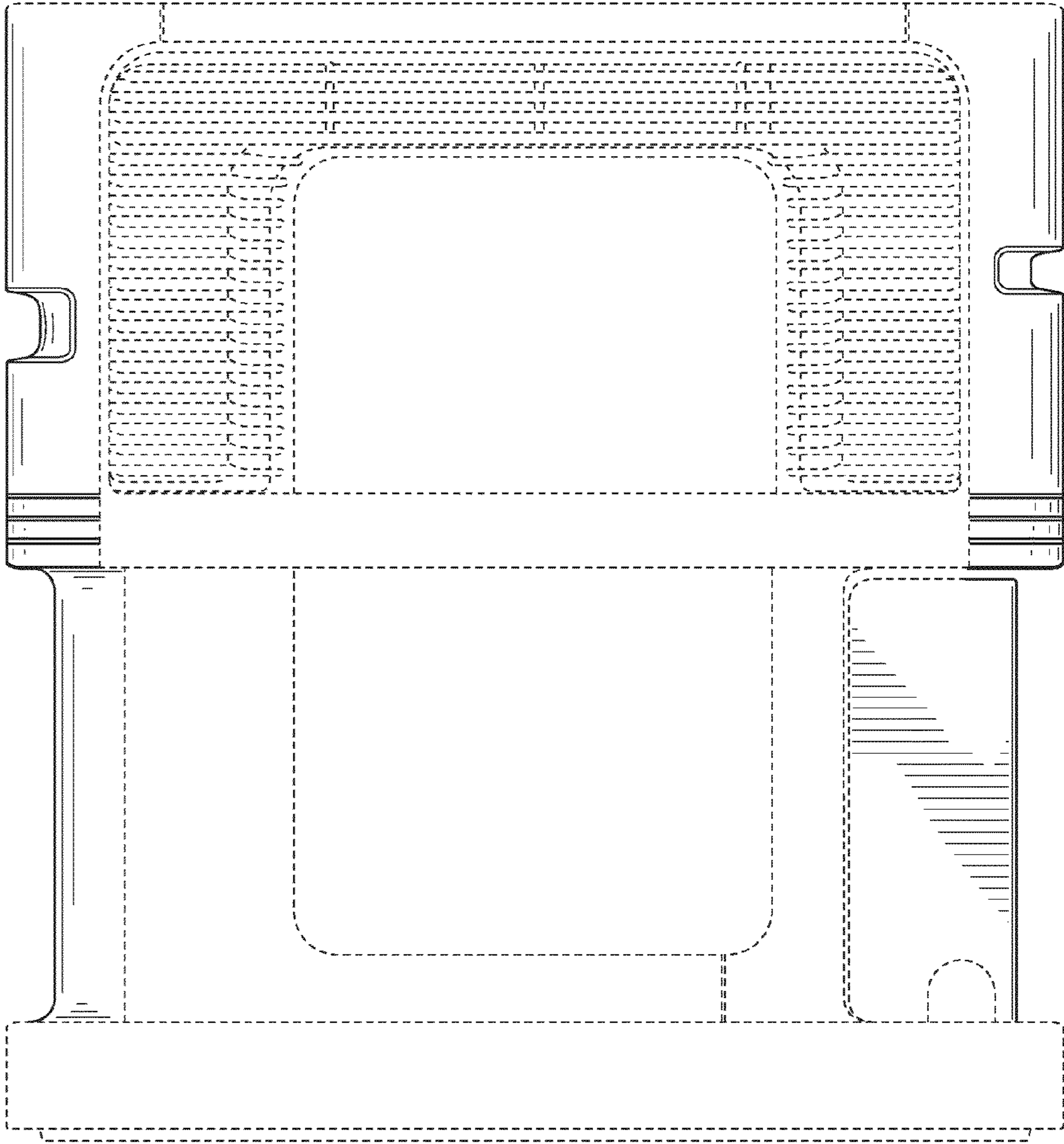
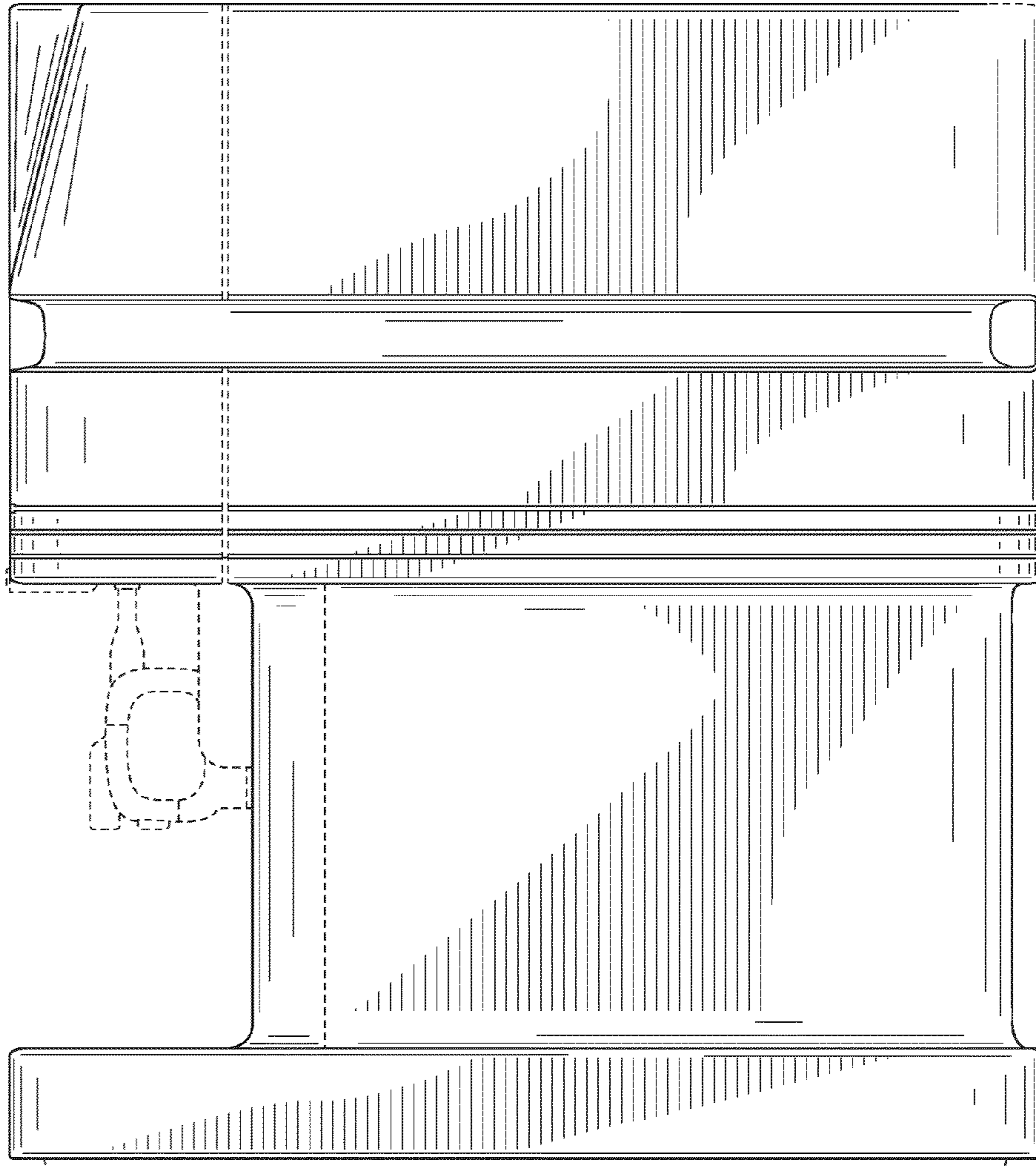
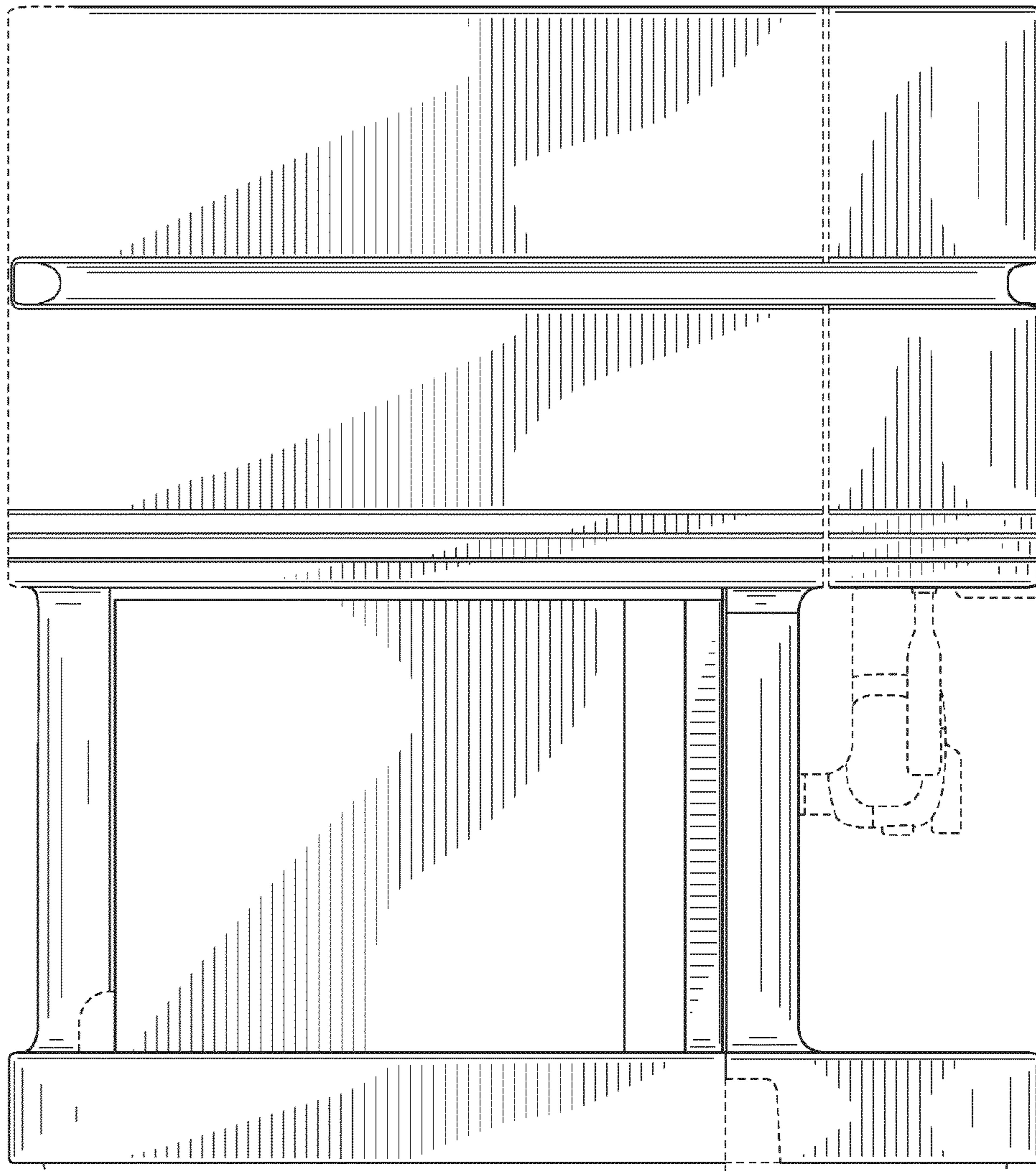


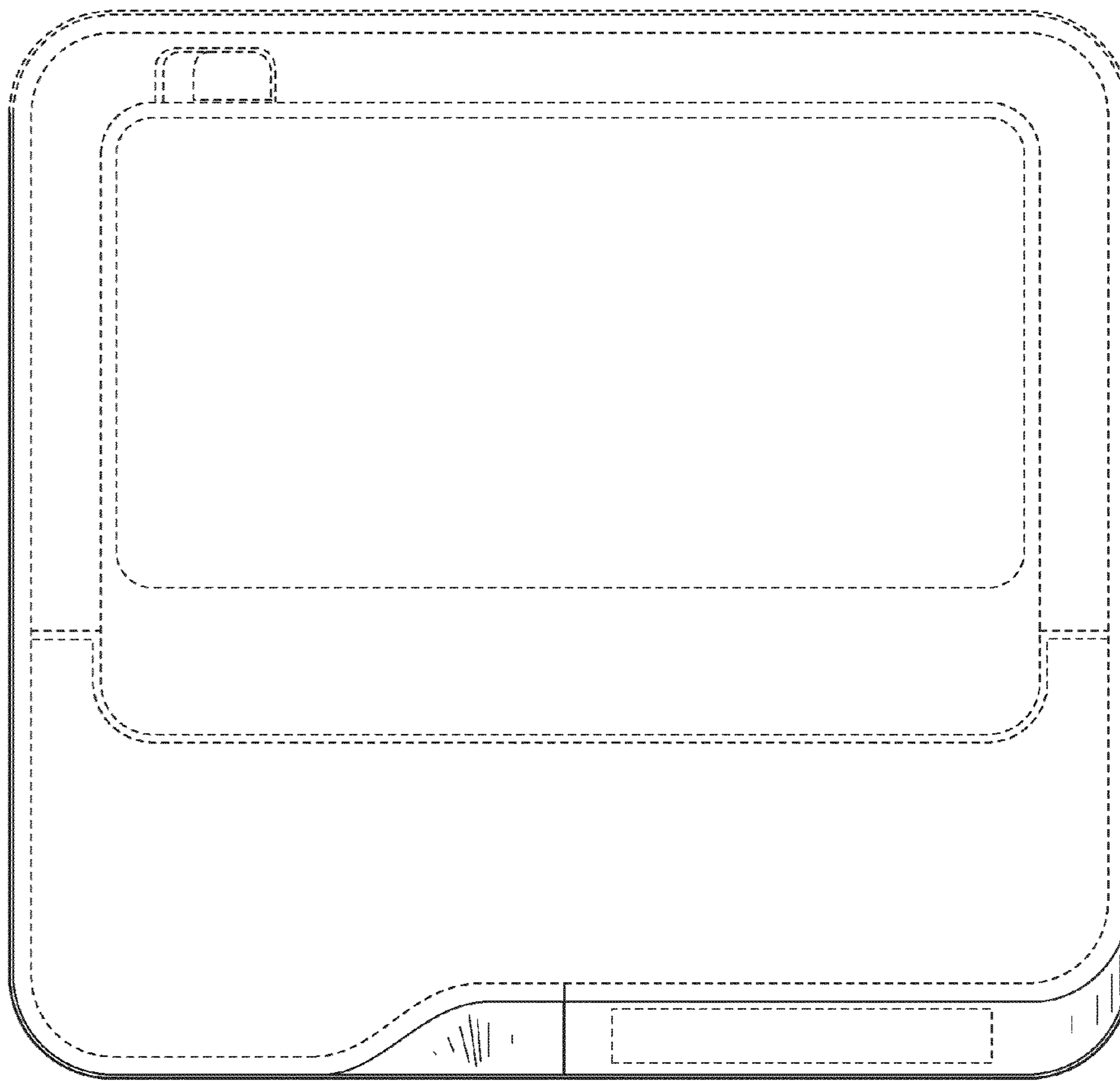
FIG. 3



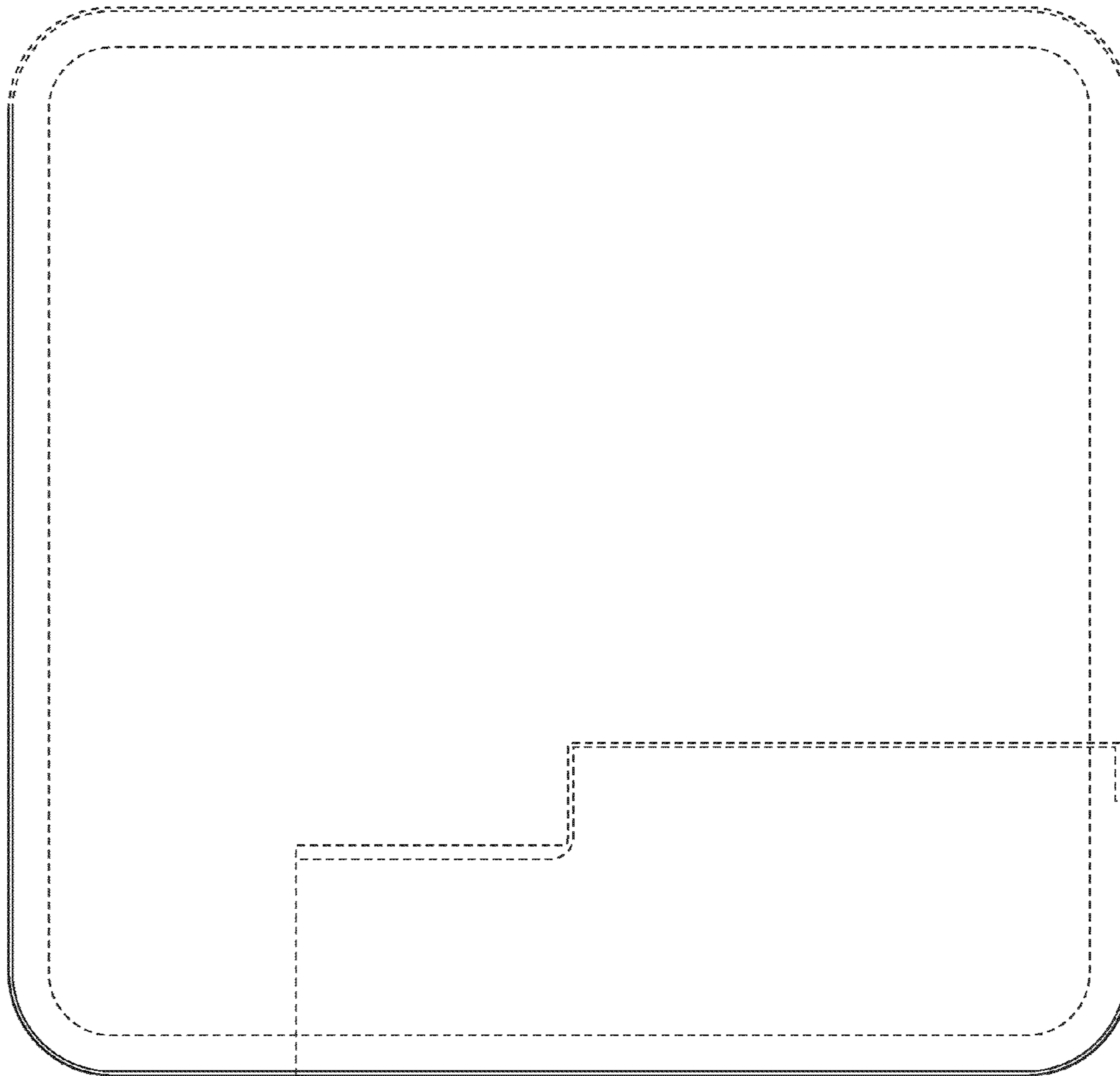
**FIG. 4**



**FIG. 5**



**FIG. 6**



**FIG. 7**